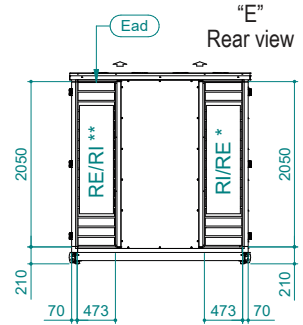
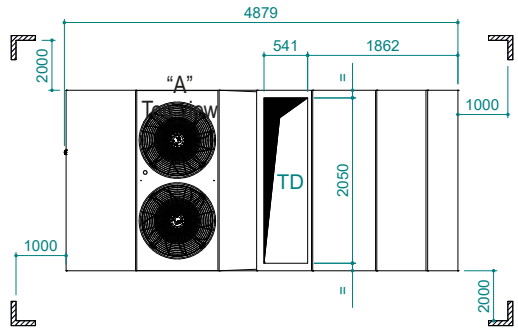
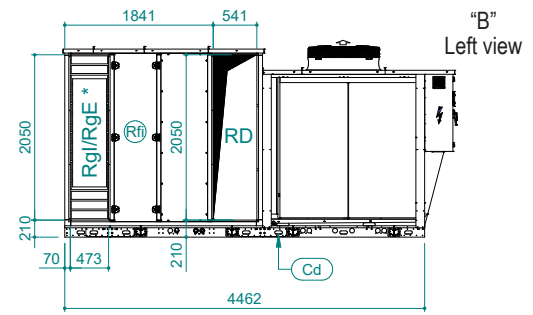
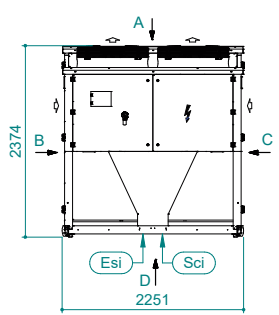
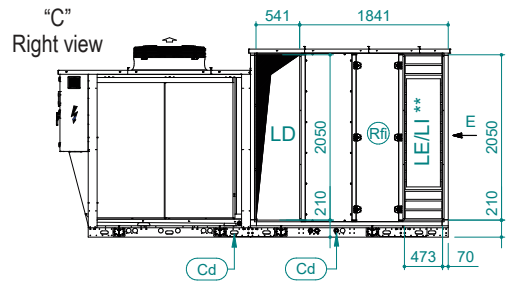
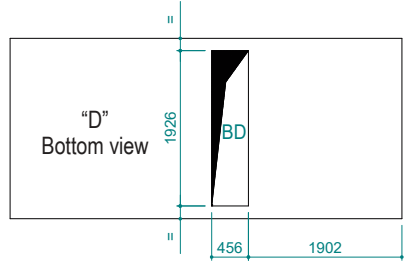


# UATYA80-120BFC2Y1



Air direction			
Air direction	Discharge	Intake	External
Left	LD	LI	LE
Right	RD	RgI	RgE
Top	TD	/	/
Bottom	BD	/	/
Rear	/	RI	RE




Sci    Signal cables inlet

Ead    External air damper

Esi    Electrical supply inlet

Cd    Condensate drain 1" male

Rfi    Remove for inspection

    Clearances

\* Intake Damper as standard.  
It can be changed as external damper changing the cabling in the electrical cabinet.

\*\* External Damper as standard.  
It can be changed as internal damper changing the cabling in the electrical cabinet.