

PRODUCT DATASHEET

SGMCB200

WIRELESS SINGLE CHANNEL BATTERY POWERED OUTPUT MODULE

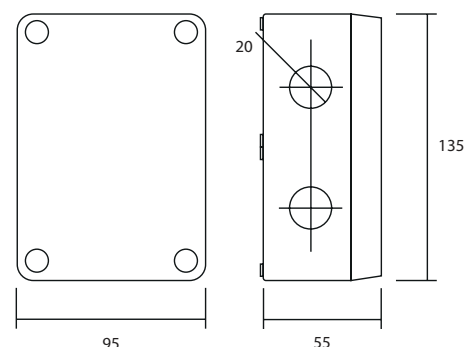
The SGMCB200 Output Module has been designed to allow easy control of a variety of third party equipment including access control doors, ventilation plant and fire extinguishing systems. The unit is powered entirely from its internal battery supply and is fitted as standard with both a set of change over relay contacts and a 24V dc output. The 24V output is capable of supplying power for operating low current third party equipment directly from the internal batteries.



KEY FEATURES

- 3rd party approval to EN54-18 and EN54-25
- 5 year product warranty
- Compatible with all Argus wireless translators and expanders
- 3 year expected battery life
- Self optimising wireless frequency and amplitude algorithms
- Fully intelligent
- Change over relay and 24V output functionality
- On site programmable 12V/24V output

TECHNICAL INFORMATION



TECHNICAL SPECIFICATION

- | | |
|---|--------------------------------|
| ■ Operating frequency range | 868 - 870 MHz |
| ■ Max radiated power | 5dBm (3mW) |
| ■ Radio signal modulation type | FSK |
| ■ Operating frequency channels | 7 |
| ■ Communication range with the translator or the expander | ≤ 150 m (in open space) |
| ■ IP Rating | 65 |
| ■ Max humidity (non condensing) | 95% RH |
| ■ Weight (without batteries) | 210 g |
| ■ Primary & Secondary batteries | CR123A (3V & 1.2 Ah) |
| ■ Relay Specifications | 2A (60W) @ 30V dc |
| ■ Temperature Range (no icing) | -10°C to +55°C |
| ■ Maximum Current Available | 50mA @ 12V dc
50mA @ 24V dc |
| ■ Fault Supervision Resistor | 5.6K |

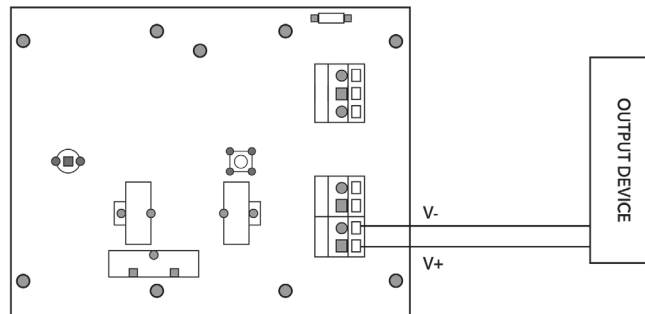
STANDARDS & APPROVALS

- BS EN 54-18: Input / Output Devices
- BS EN 54-25: Components using radio links and system requirements

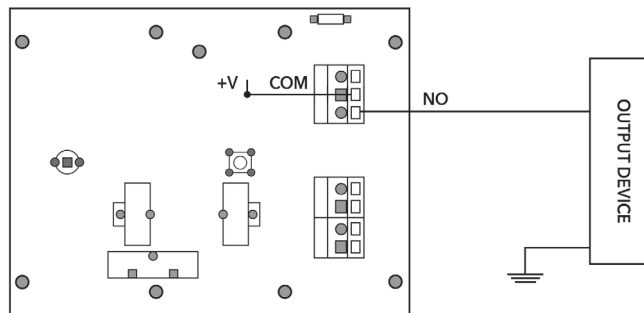


CONNECTIONS & CONFIGURATION

Wiring example for the 12VDC/24VDC output.



Wiring example for the relay switch output.



Wiring example with FLT feature.

