

PRODUCT DATASHEET

SGRBS100/L

WIRELESS SOUNDER BASE

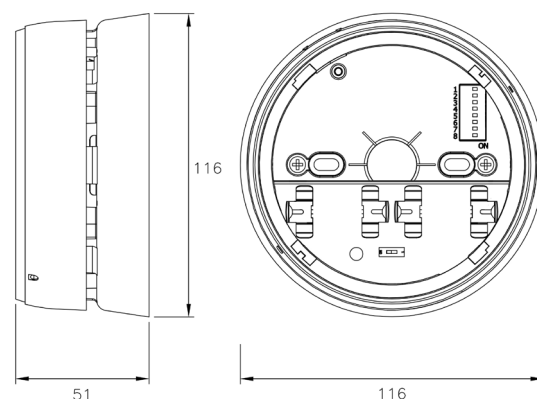
The SGRBS100/L Wireless Sounder Base unit is an aesthetically pleasing and cost effective alternative to traditional wall mounted sounder units where visual impact is important. Each unit has an integral moulded base for mounting an Argus wireless detector or a sounder cover if a detector is not required. The unit has as standard 32 recognised sounder tones and 2 levels of volume adjustment, all of which can be easily configured on site. Powered by standard lithium batteries and utilising well proven adaptive radio signal processing algorithms ensure the highest levels of life safety and reliability.



KEY FEATURES

- 3rd party approval to EN54-25 and EN54-03
- Bi-directional wireless communication
- 5 year product warranty
- Utilises dual low cost standard lithium batteries
- Choice of 32 recognised tones
- Compatible with all Argus translators and expanders
- Integral detector base
- Red and white cover options
- 2 volume levels
- 3 year expected battery life

TECHNICAL INFORMATION



TECHNICAL SPECIFICATION

- | | |
|--|---------------------------------|
| ■ Operating frequency range | 868 - 870 MHz |
| ■ Operating frequency channels | 7 |
| ■ Communication range with the Translator or Expander Module | ≤ 150m (in open space) |
| ■ IP rating | 20 (Type A for indoor use only) |
| ■ Sound Output (typical) | 70-95dBA (tone dependant) |
| ■ Number of Tones | 32 |
| ■ Dimensions | 116 mm x 51 mm |
| ■ Weight (without batteries) | 150g |
| ■ Primary battery | CR123A (3 V & 1.2 Ah) |
| ■ Secondary battery | CR123A (3 V & 1.2 Ah) |
| ■ Primary battery lifespan (typical) | ≥ 3 years |
| ■ Secondary battery lifespan (typical) | ≥ 2 months |
| ■ Operating Temperature | -10°C to +55°C |
| ■ Max humidity (non condensing) | 95% RH |

STANDARDS & APPROVALS

- BS EN 54-25:
Components using radio links and system requirements
- BS EN 54-3:
Fire alarm devices



0832



928q