



ej

HINGED HATCH

Extra Heavy Duty
Access Covers



Airport references



Lisbon International Airport
Portugal
AGL network



Paris Orly Airport
France
AGL network



Dublin International Airport
Ireland
AGL network



Milan Linate International Airport
Italy
Anchoring application



Geneva International Airport
Switzerland
Electrical network



Abu Dhabi International Airport
United Arab Emirates
AGL network

HINGED HATCH F900 Extra heavy duty

The benefits

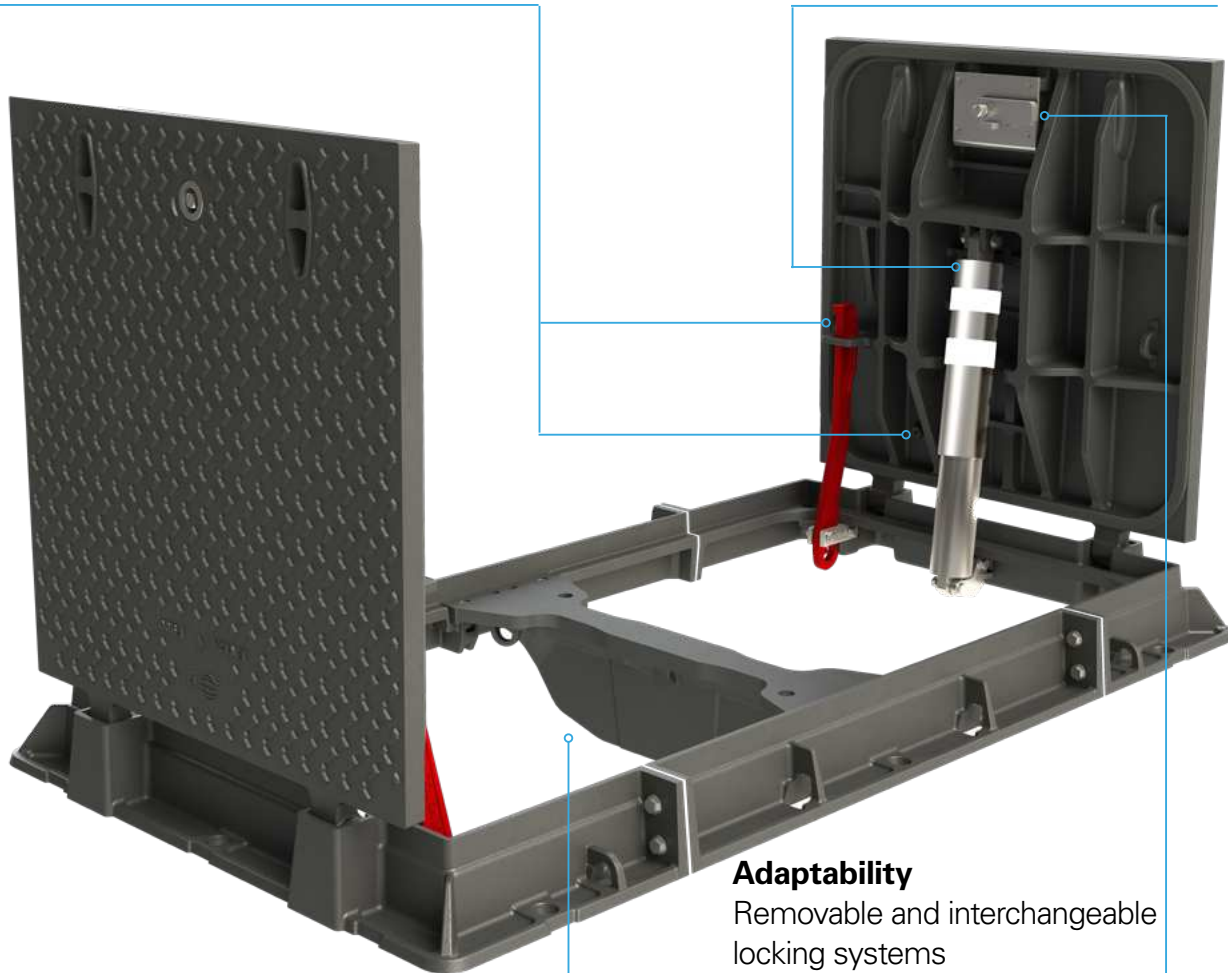
Safety

Safety bar preventing unexpected closure

Hole for grounding connection

One man operation

Lifting effort <25 kg thanks to the stainless steel mechanical spring strut



Large clear opening up to 914 x 1883 mm

Removable beam for unobstructed access to the chamber

Adaptability

Removable and interchangeable locking systems

FOD (Foreign object damage) compliancy

In-house designed to ensure zero spare parts debris

Maintenance free



Scan this QR code to see the HH video on YouTube

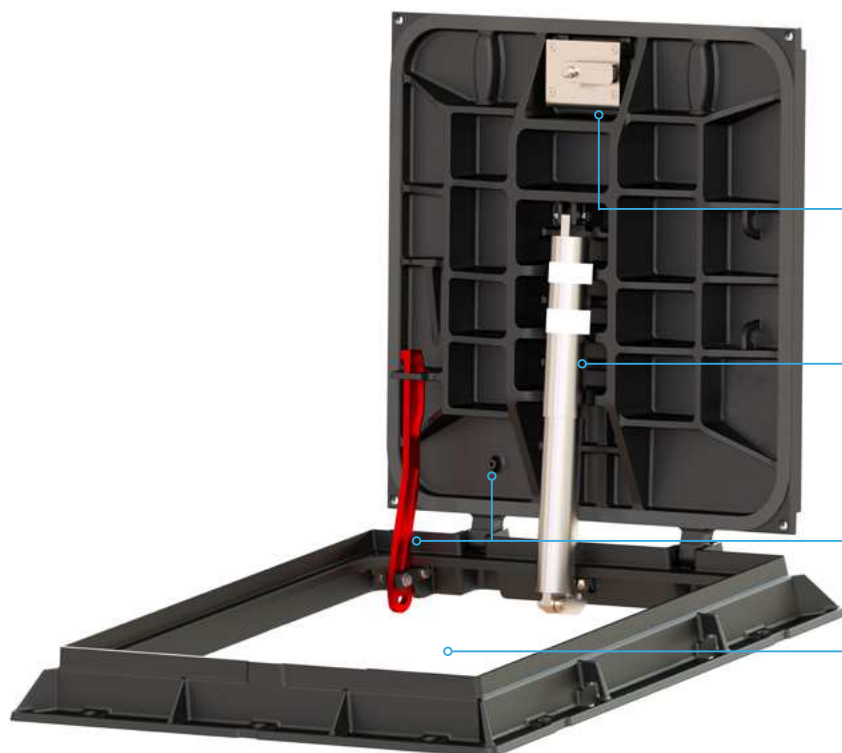


Hinged Hatch Video on YouTube



HINGED HATCH F900 Extra heavy duty

Hinged and assisted access cover with frame



FOD (Foreign object damage) compliancy

In-house designed to ensure zero spare parts debris

Maintenance free

Adaptability

Removable and interchangeable locking systems

One man operation

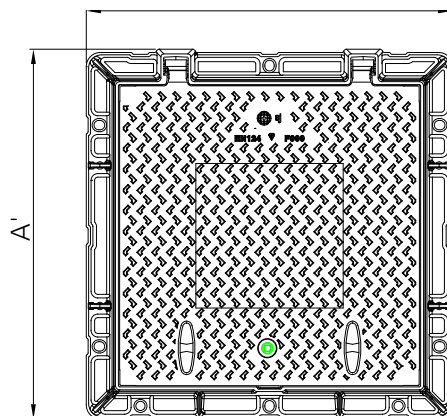
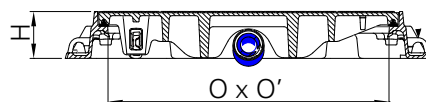
Lifting effort <25 kg thanks to the stainless steel mechanical spring strut

Safety

Safety bar preventing unexpected closure
Hole for grounding connection

Large clear opening up to 914 x 914 mm

- Ductile iron access cover and frame
- SG iron 500-7 - ISO 1083 / EN1563
- F900 to EN124-2 - Third Party certified
- 4L patented design anti-slip surface
- Polychloroprene cushioning insert glued to the cover
- 10 years warranty mechanical stainless steel strut with reflective tape
- Safety bar blocking at 90°
- Stainless steel locking system
- Frame equipped with 4 lifting rings
- Frame and cover equipped with a drilled and tapped hole for grounding connection

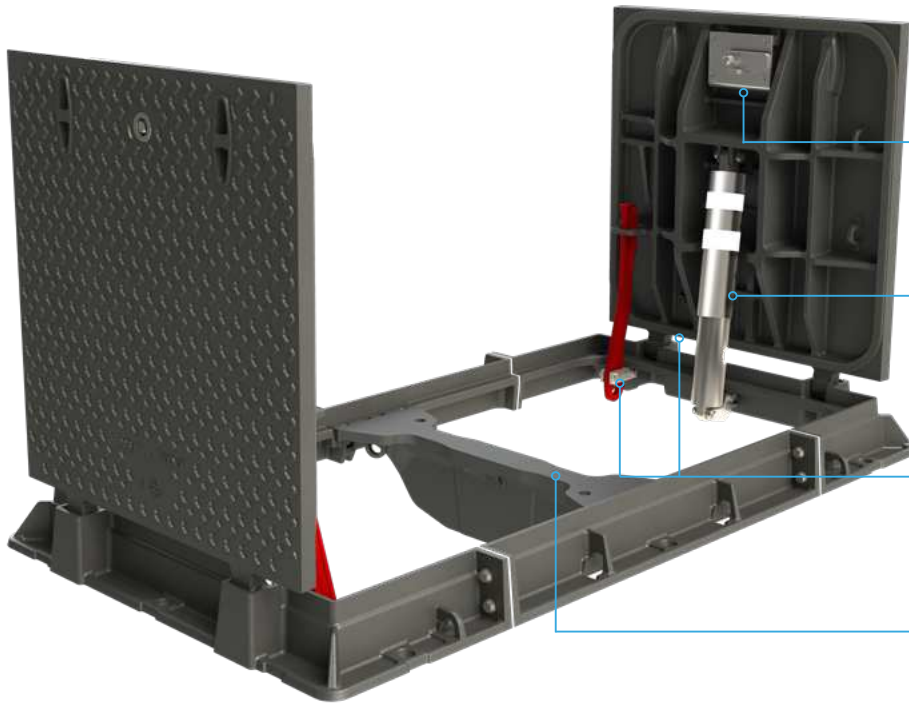


Product reference	Clear opening O x O' (mm)	Overall dimensions A x A' (mm)	Height H (mm)	Weight (kg)
HH9S091091	914 x 914	1146 x 1146	127	255
HH9S076076	760 x 760	994 x 1003	127	196

Class D400 available : please enquire

HINGED HATCH F900 Extra heavy duty

Hinged and assisted access cover with frame



FOD (Foreign object damage) compliancy

In-house designed to ensure zero spare parts debris

Maintenance free

Adaptability

Removable and interchangeable locking systems

One man operation

Lifting effort <25 kg thanks to the stainless steel mechanical spring strut

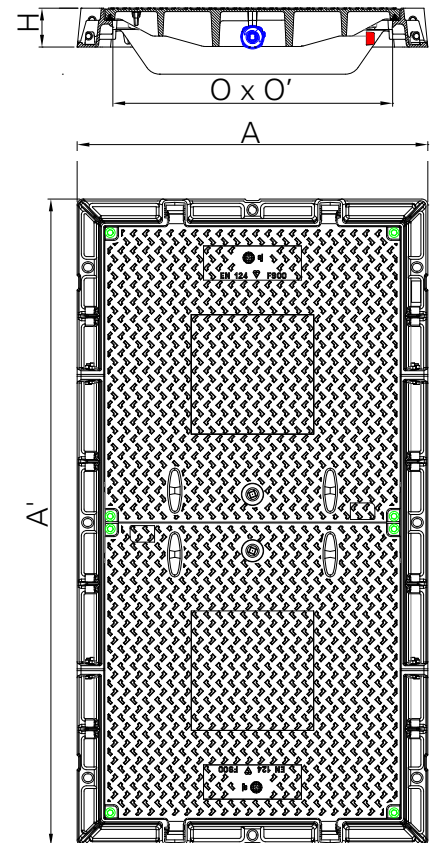
Safety

Safety bar preventing unexpected closure
Hole for grounding connection

Large clear opening up to 914 x 1883 mm

Removable beam for unobstructed access to the chamber

- Ductile iron access cover and frame
- SG iron 500-7 - ISO 1083 / EN1563
- F900 to EN124-2 - Third Party certified
- 4L patented design anti-slip surface
- Polychloroprene cushioning insert glued to the cover
- 10 years warranty mechanical stainless steel strut with reflective tape
- Safety bar blocking at 90°
- Stainless steel locking system
- Frame equipped with 8 lifting rings
- Frame and cover equipped with a drilled and tapped hole for grounding connection
- Central beam removable by unscrewing stainless steel screws



Product reference	Clear opening O x O' (mm)	Overall dimensions A x A' (mm)	Height H (mm)	Weight (kg)
HH9S189091	914 x 1883	1146 x 2114	127	521
HH9S157076	760 x 1570	994 x 1830	127	403

Class D400 available : please enquire

HINGED HATCH F900 Extra heavy duty

Choose your locking system



Stainless steel tight locking system

- Enhance stability
- Allow watertightness (please enquire)
- Specific key opening for a secured access
- FOD compliant



4 Stainless steel bolts locking system

- Enhance stability
- Suitable for traffic area



Stainless steel 'push and lock' locking system without key

- Quick opening and closure
- No specific key required
- FOD Compliant

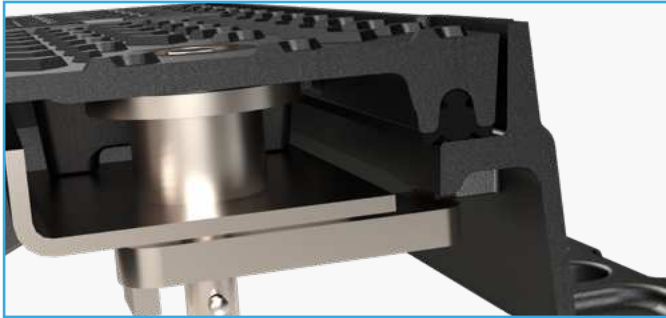


Stainless steel 'push and lock' locking system with key

- Quick opening and closure
- Specific key required for a secured access
- FOD Compliant

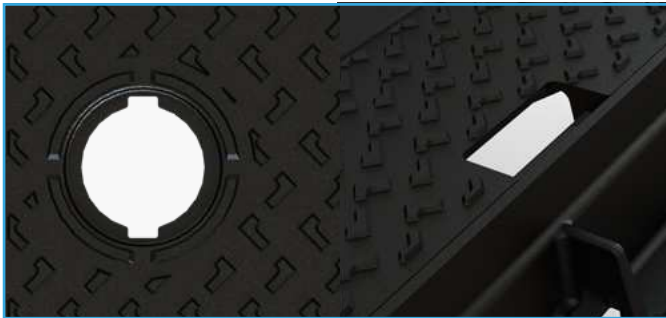
HINGED HATCH F900 Extra heavy duty

Choose your options



Watertightness

- Please enquire



Cable way out

- Removable plug on covers (Ø 80 mm)
- Permanent hole on covers (100 x 45 mm)



Safety grids

- Various customised safety grids are available for operators' safety



Specific coating

- Please enquire



Customised badging

- Network or chamber identification, name and logo badging



ej

ejco.com



Americas

+1 800 874 4100

EMEA

Europe, Middle East,
Africa and South East Asia

+33 344 08 28 00

Asia-Pacific

+61 73216 5000

EMEA

ZI de Marivaux
60149 Saint Crépin Ibovillers
France
+ 33 (0) 3 44 08 28 47
emea.airportport@ejco.com

Registered
Trademarks



CAVANAGH®
NORINCO®
TELECOM®
SELFLEVEL®
ERMATIC®
CHILDSAFETY®

DEFENSO®
NORGUSS®
CABLECOM®
NORLONG®
MAXIMO®
AQUERA®

Hinged Hatch
Extra Heavy Duty
Access Covers
EJ© - 4/2018