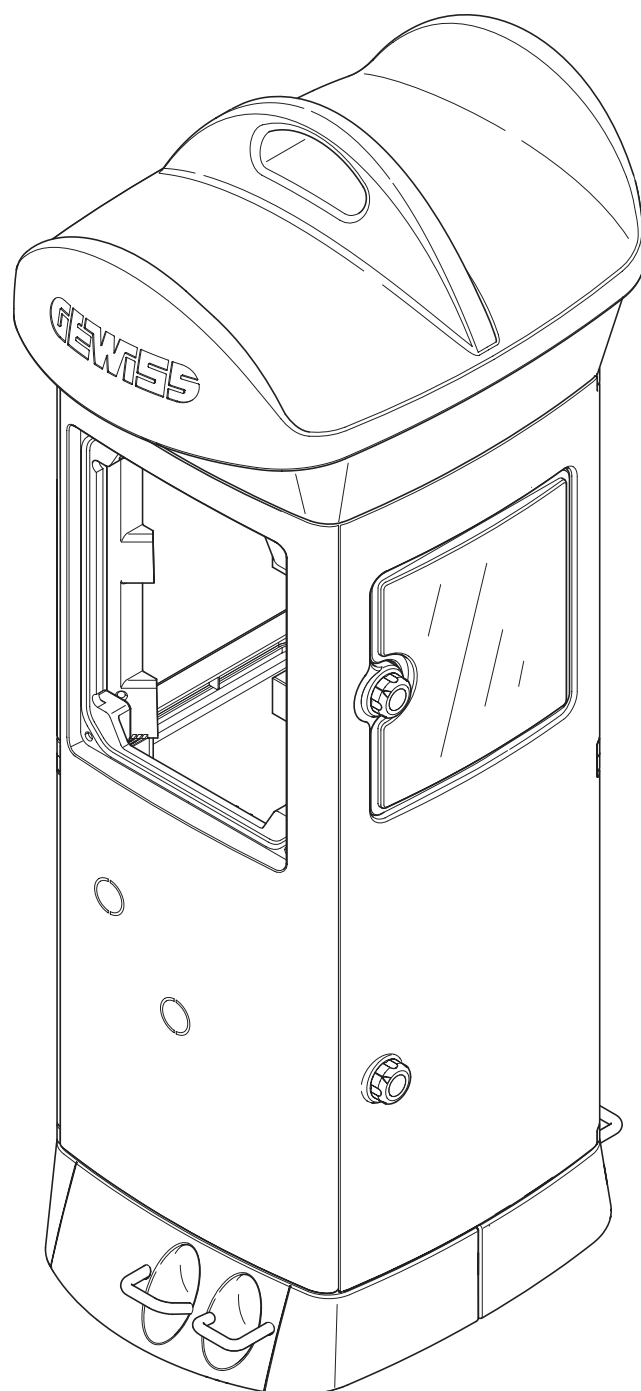
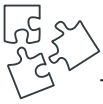


GW 68 901 GW 68 902
GW 68 903 GW 68 904
GW 68 905



GW 68 931



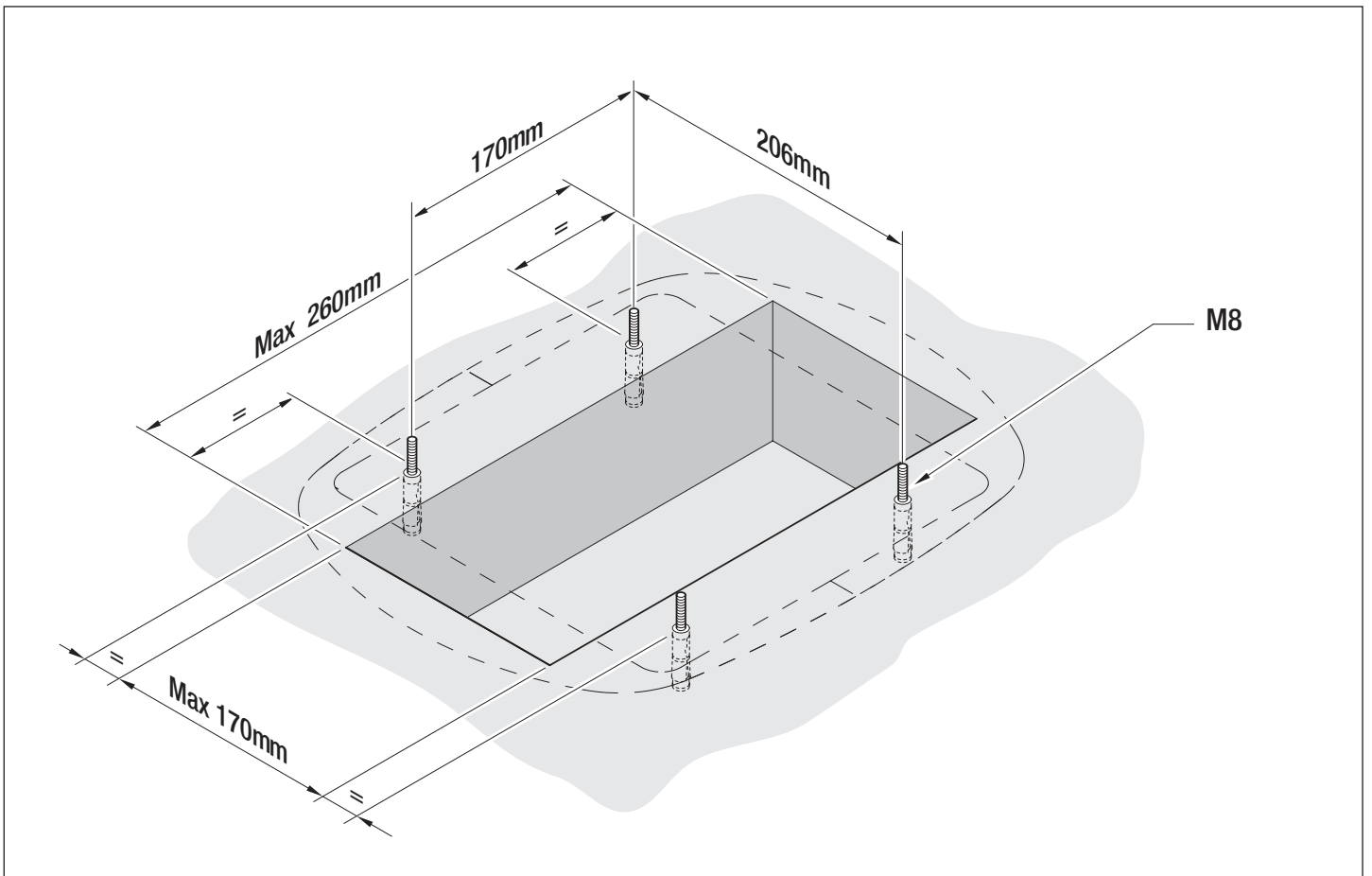
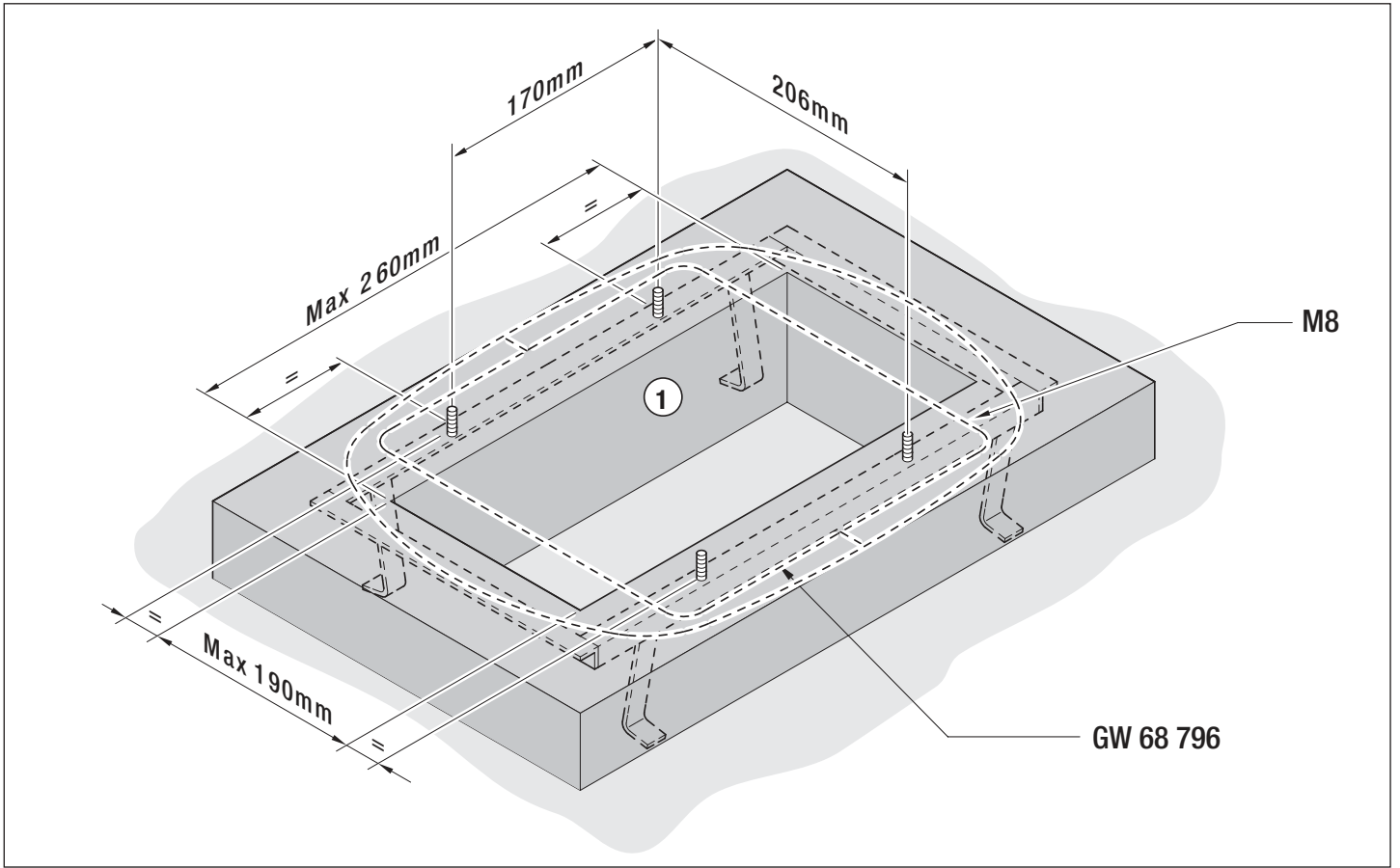
	GW 68 745	2 66 IB IP55 16/32
	GW 68 746	2 66 IB IP44 16/32A
	GW 68 747	2 66 IB IP44/IP55 Combibloc 16/32A
	GW 68 748	1 85x75mm
	GW 68 748	4 + IEC 309 16/32A 85x75mm
	GW 68 749	1 66 IB IP55 63A
	GW 68 750	

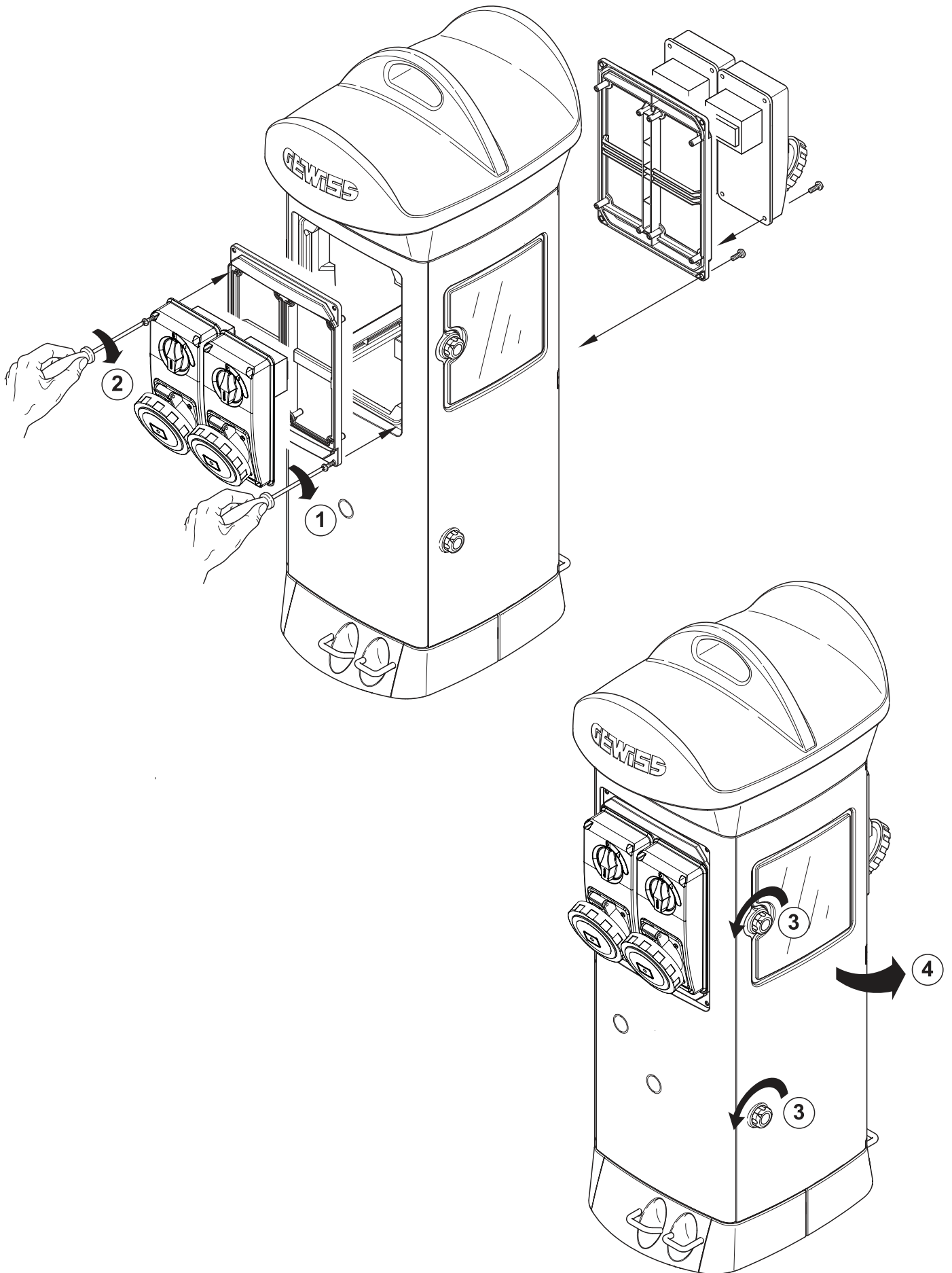
A1		2
----	--	---

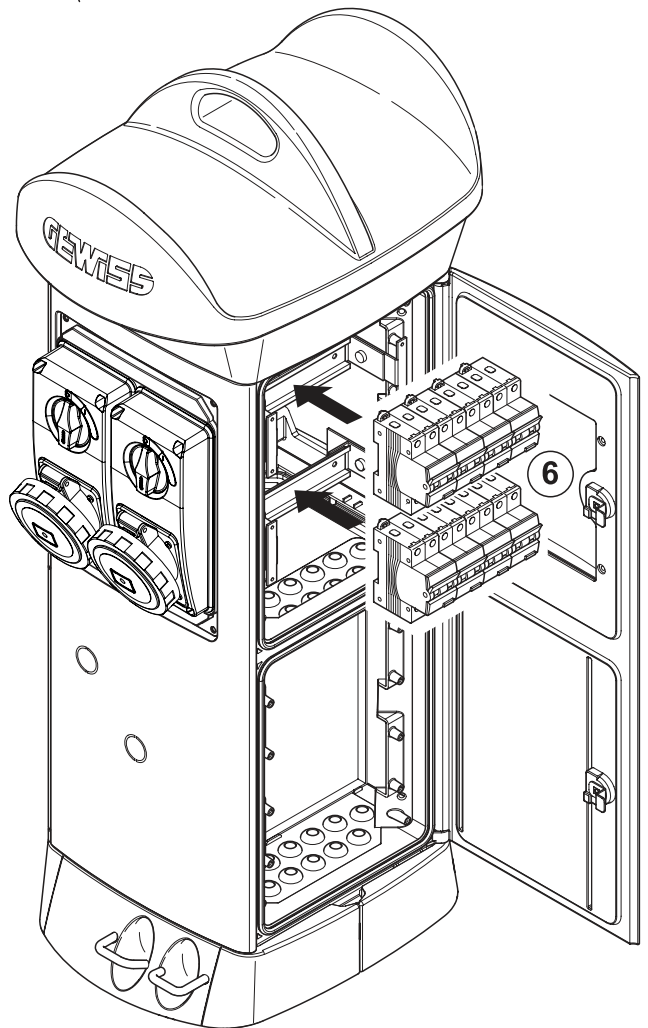
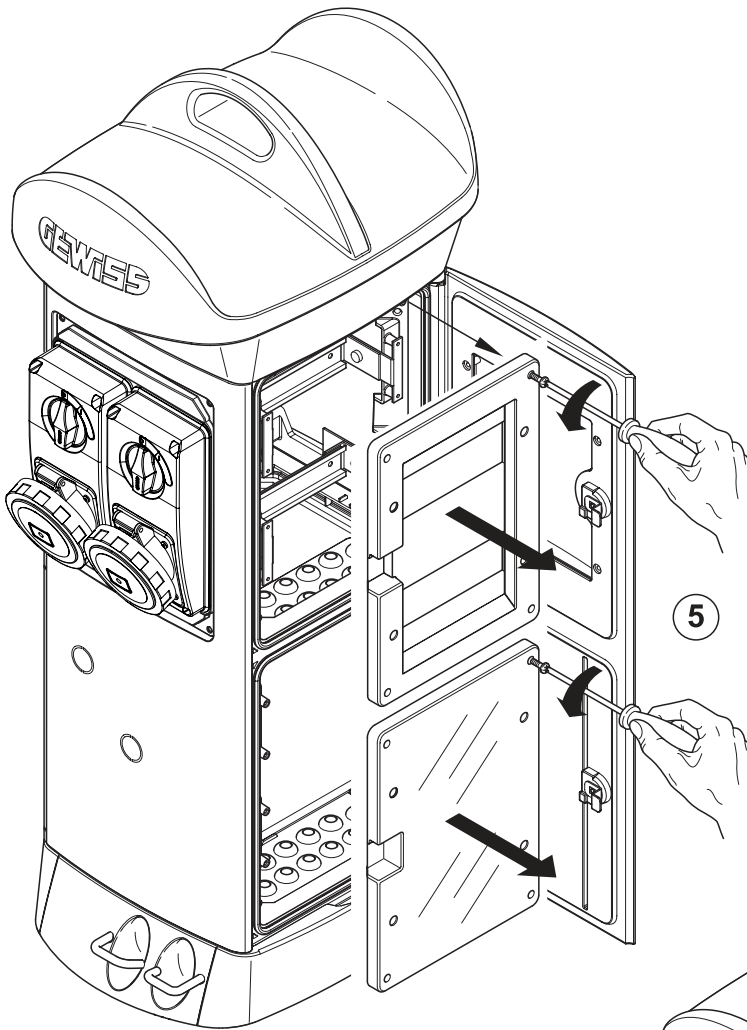
B1		4
----	--	---

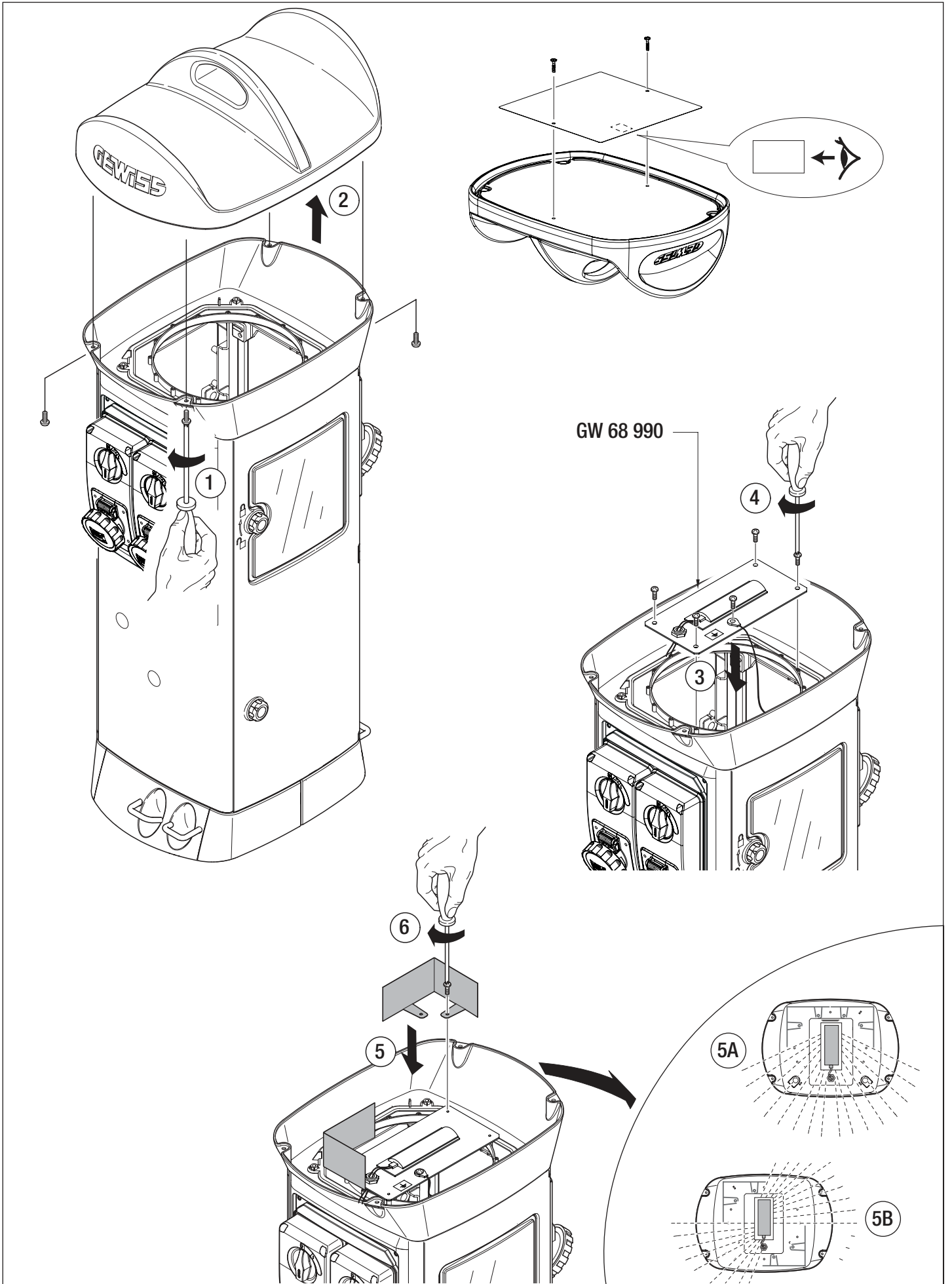
B2		4
----	--	---

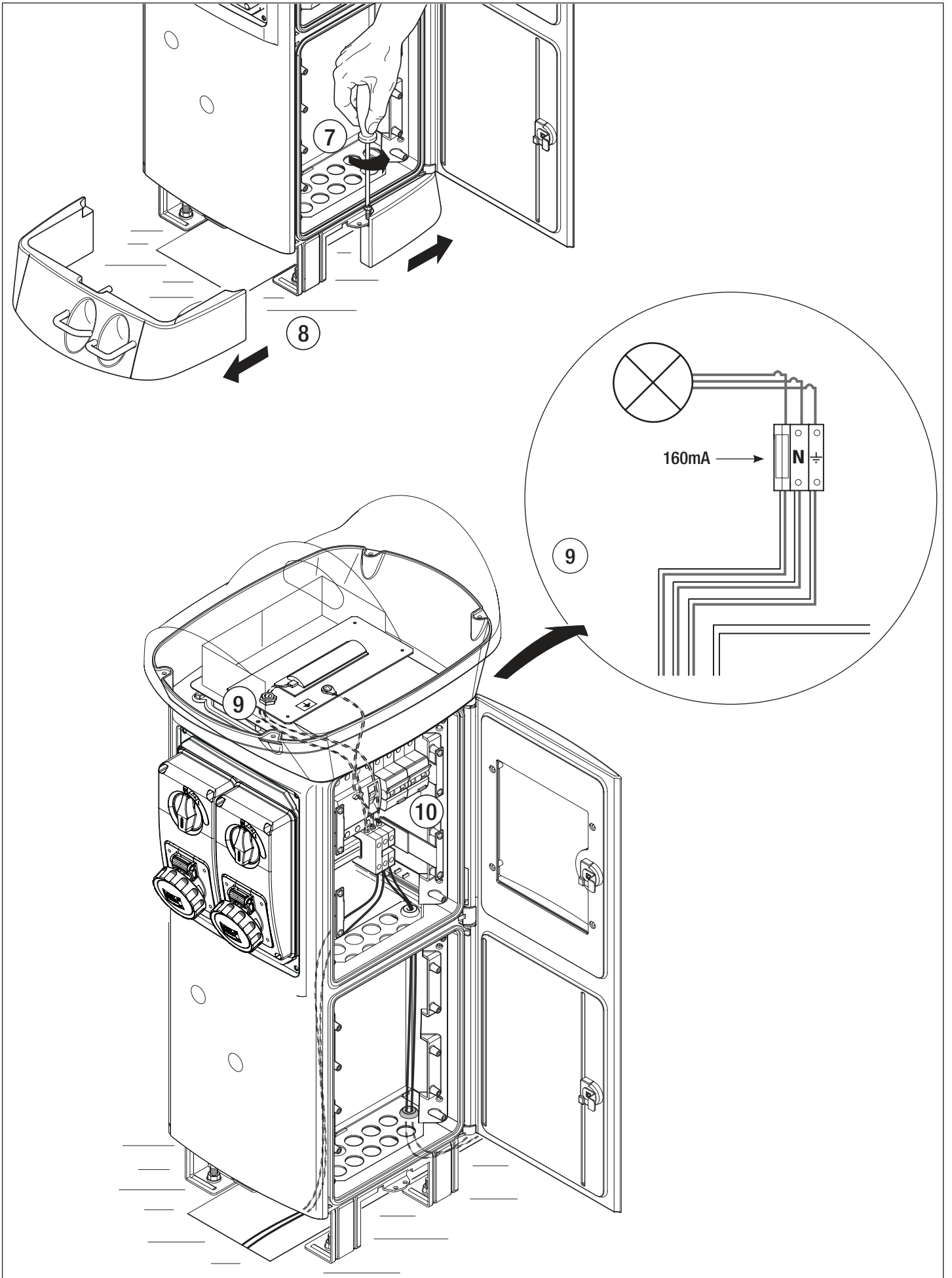
	GW 68 990	
	GW 68 790	
	GW 68 791	
	GW 68 793	
	GW 68 794	
	GW 68 778	
	GW 68 796	
	GW 68 788 16 mm ²	
	GW 68 789 35 mm ²	
	GW 68 800 70 mm ²	
	GW 68 799	

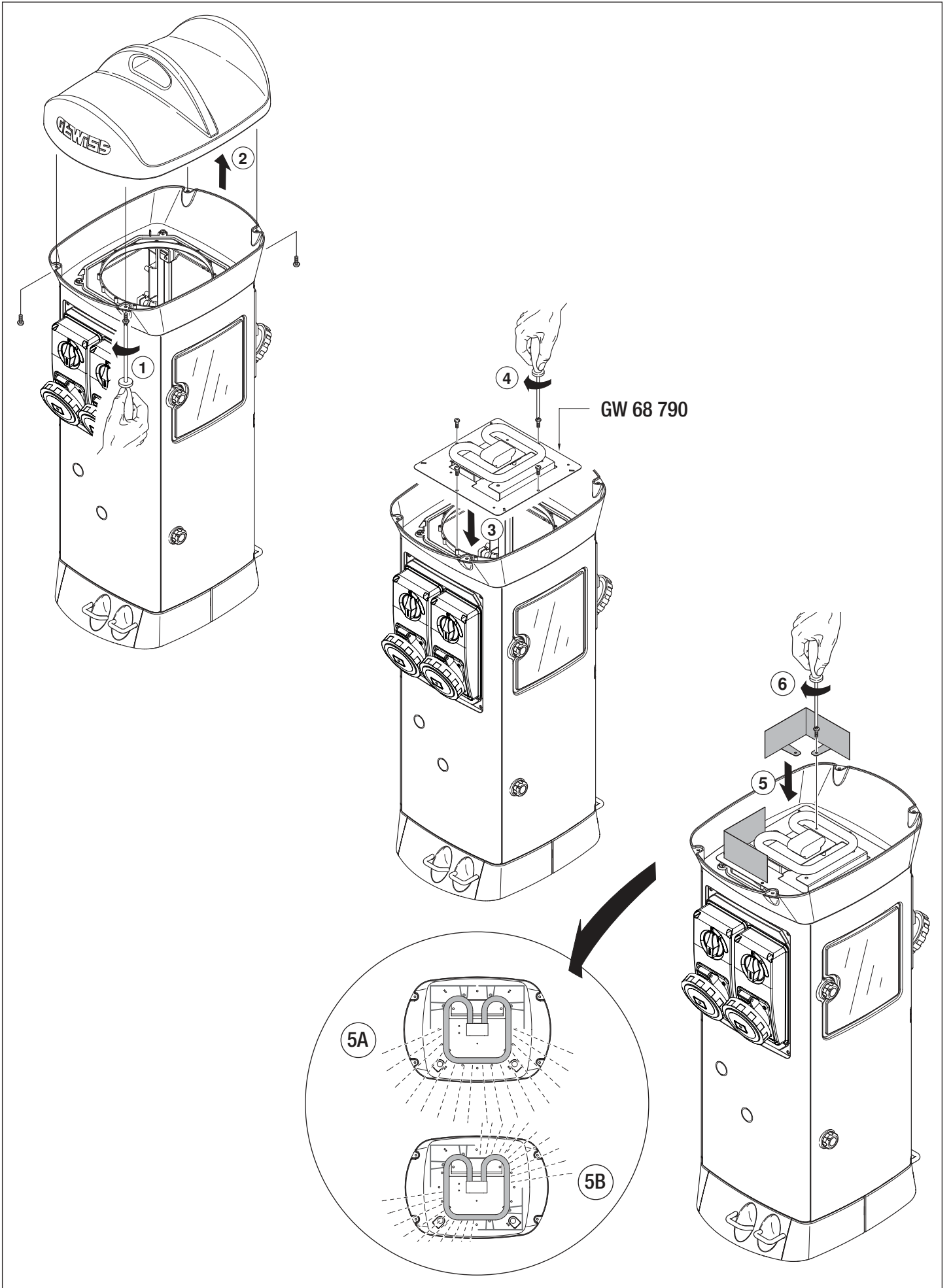


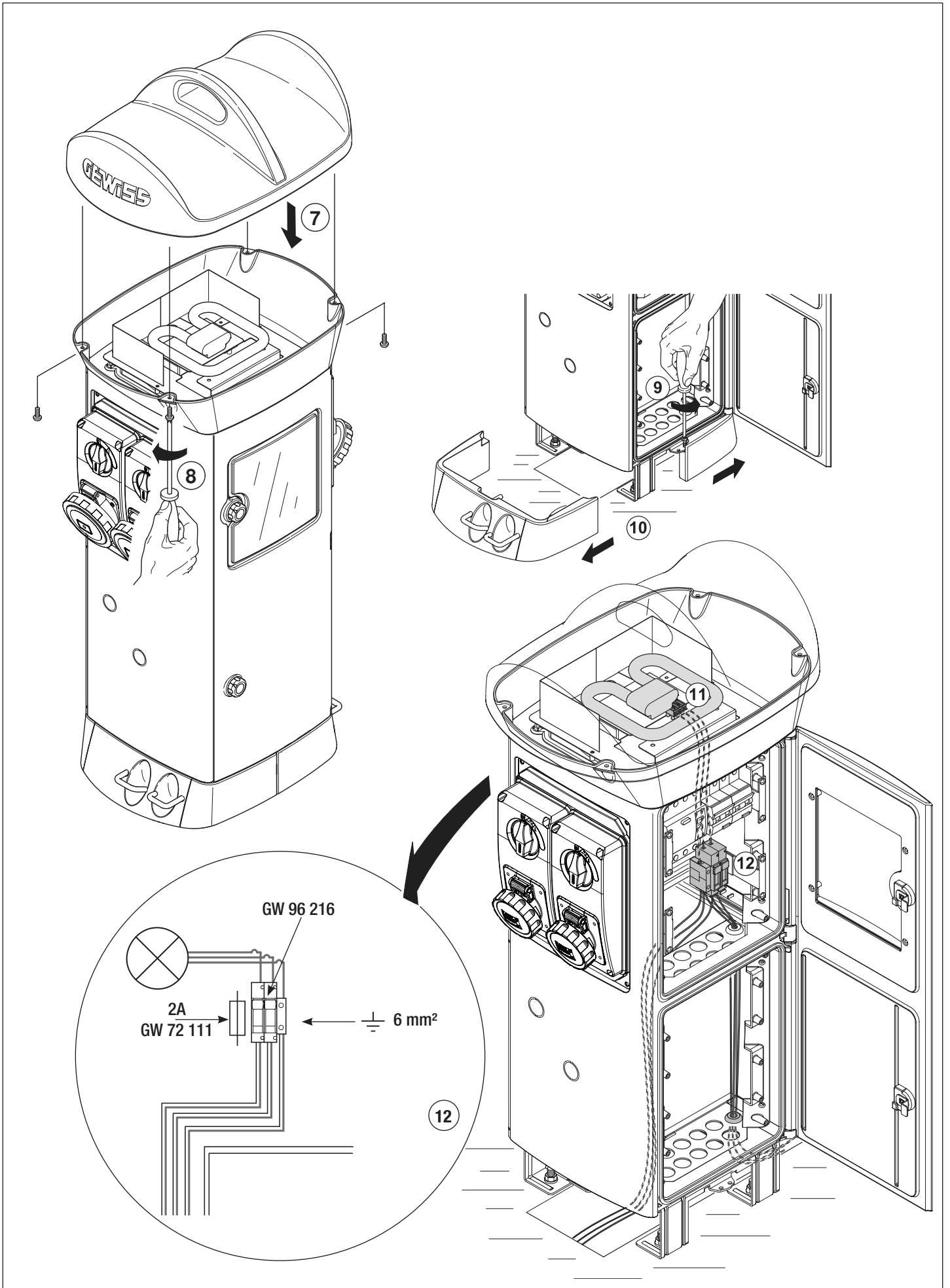


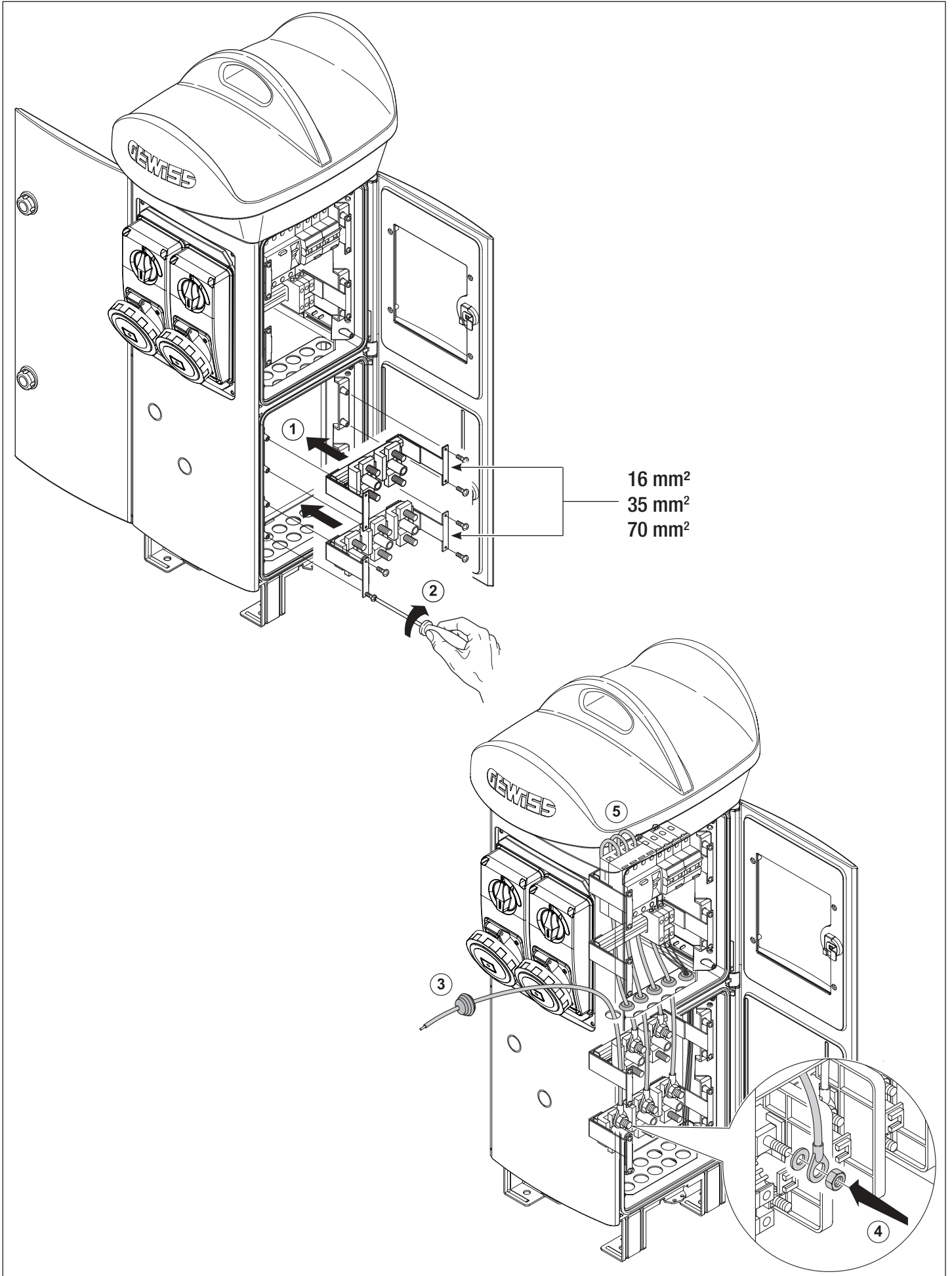


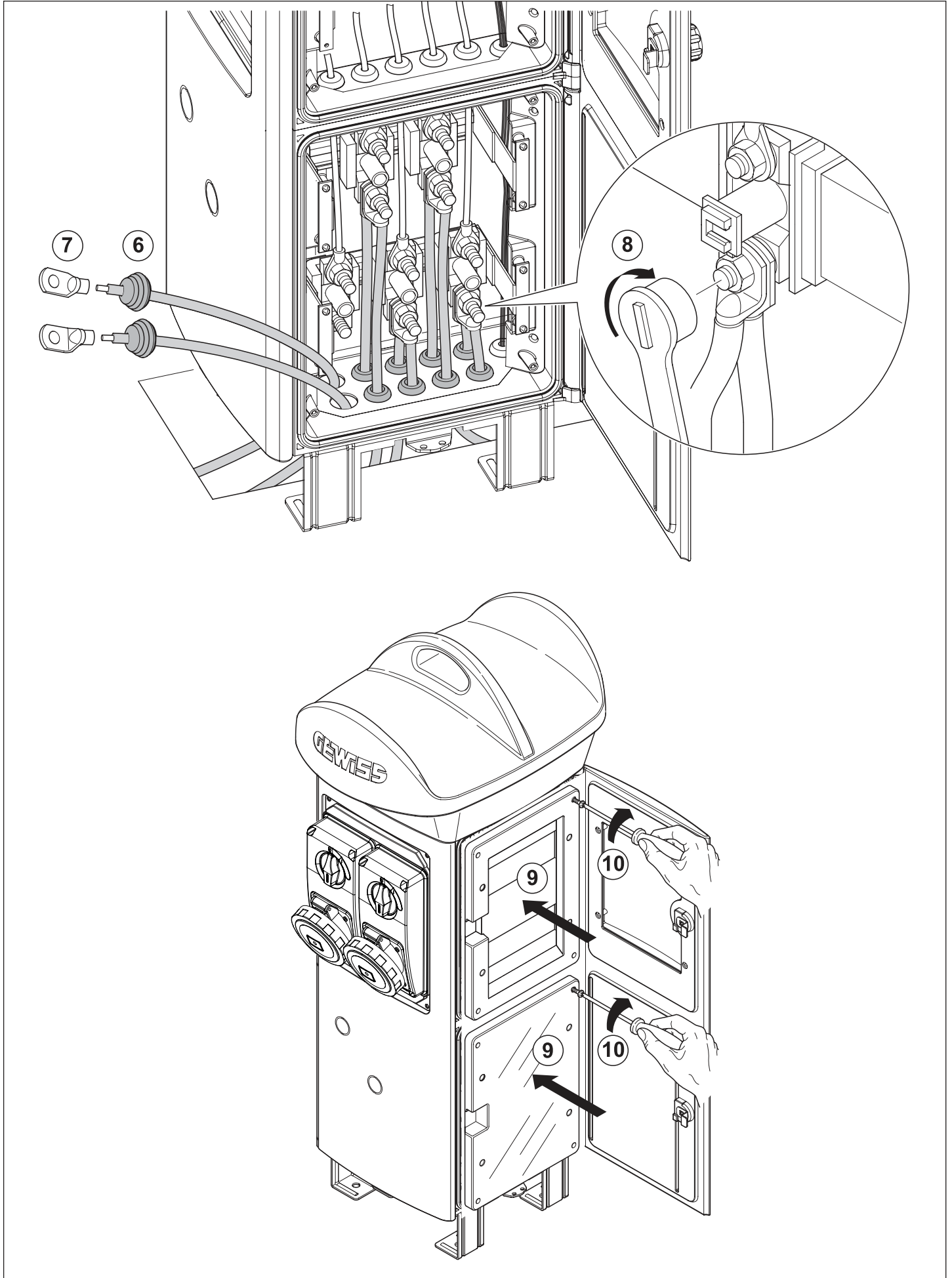


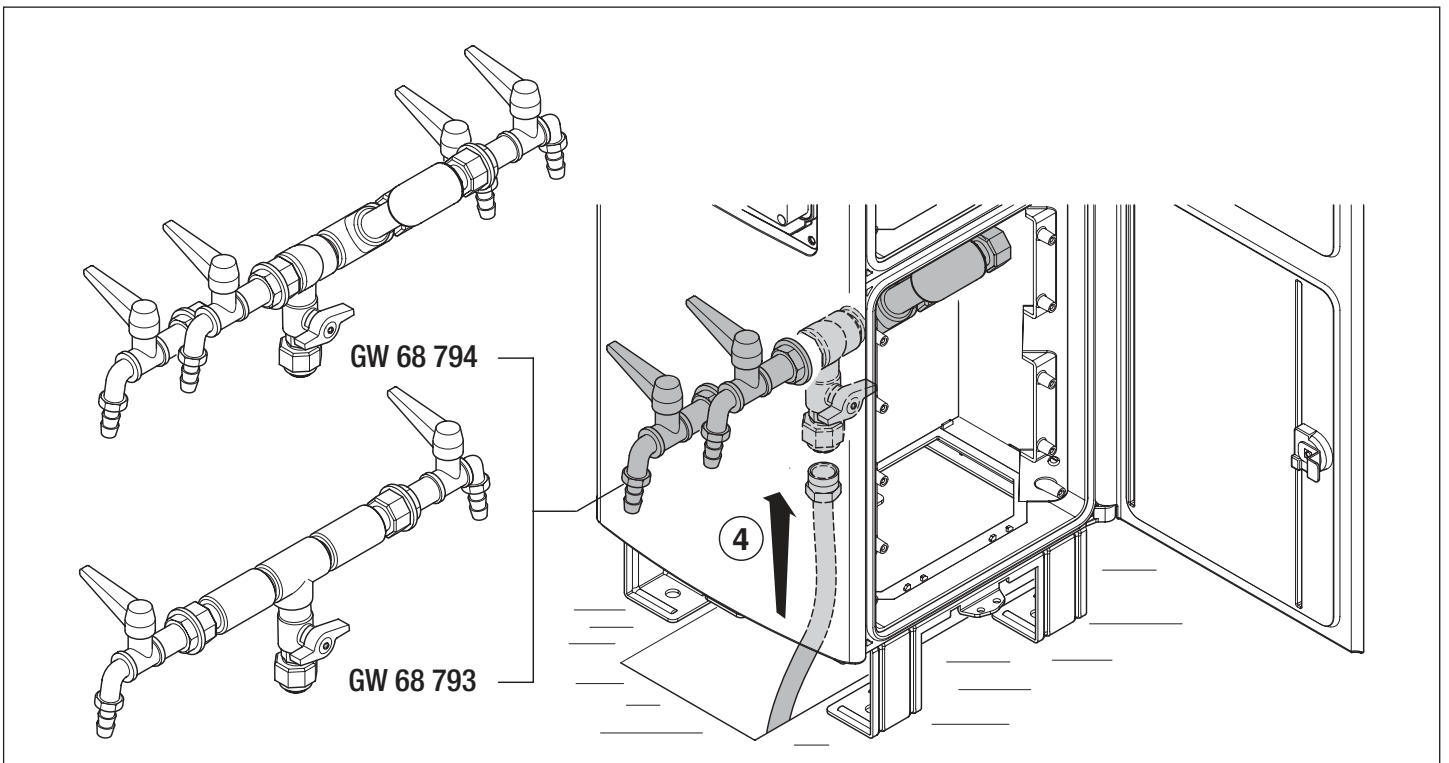
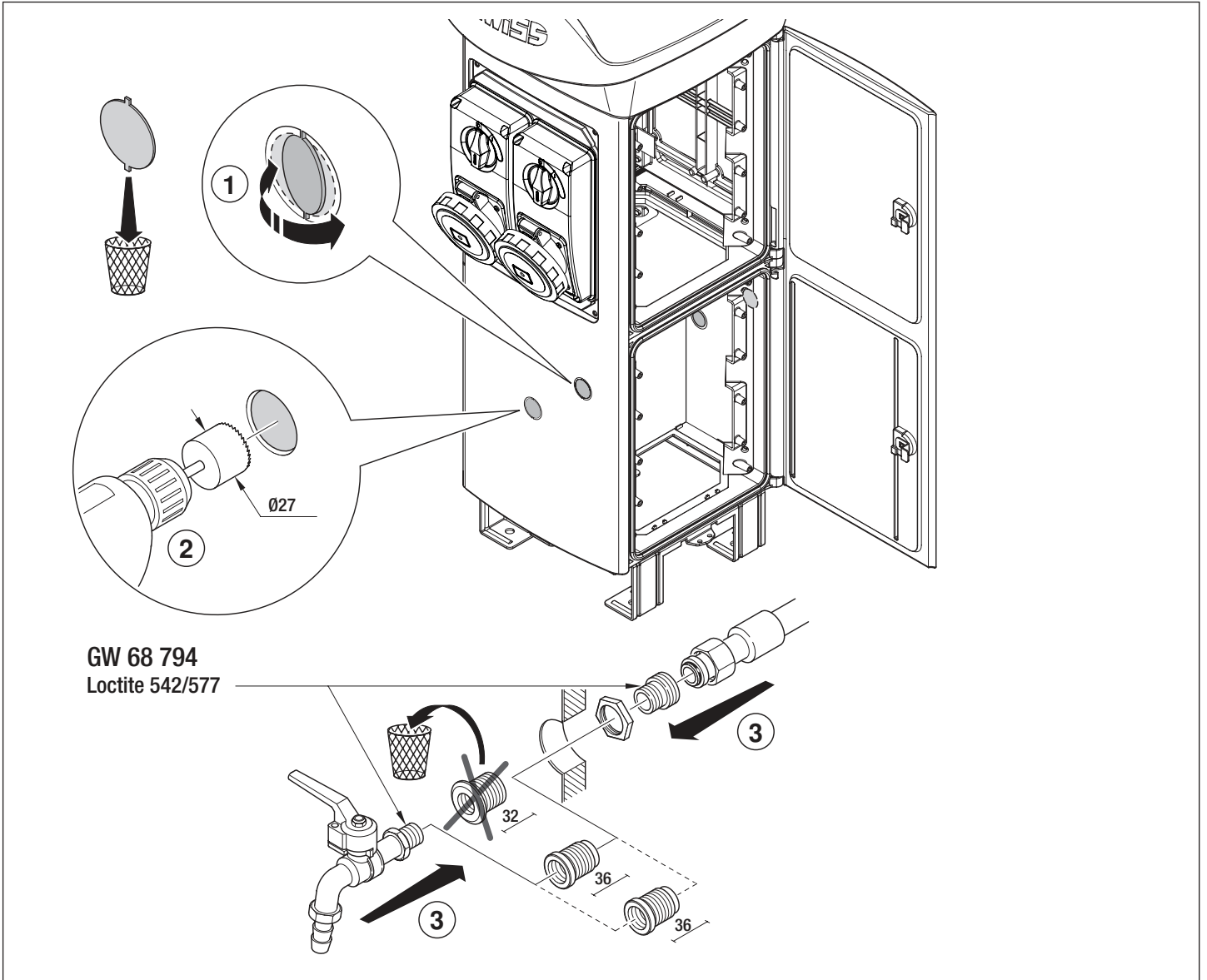


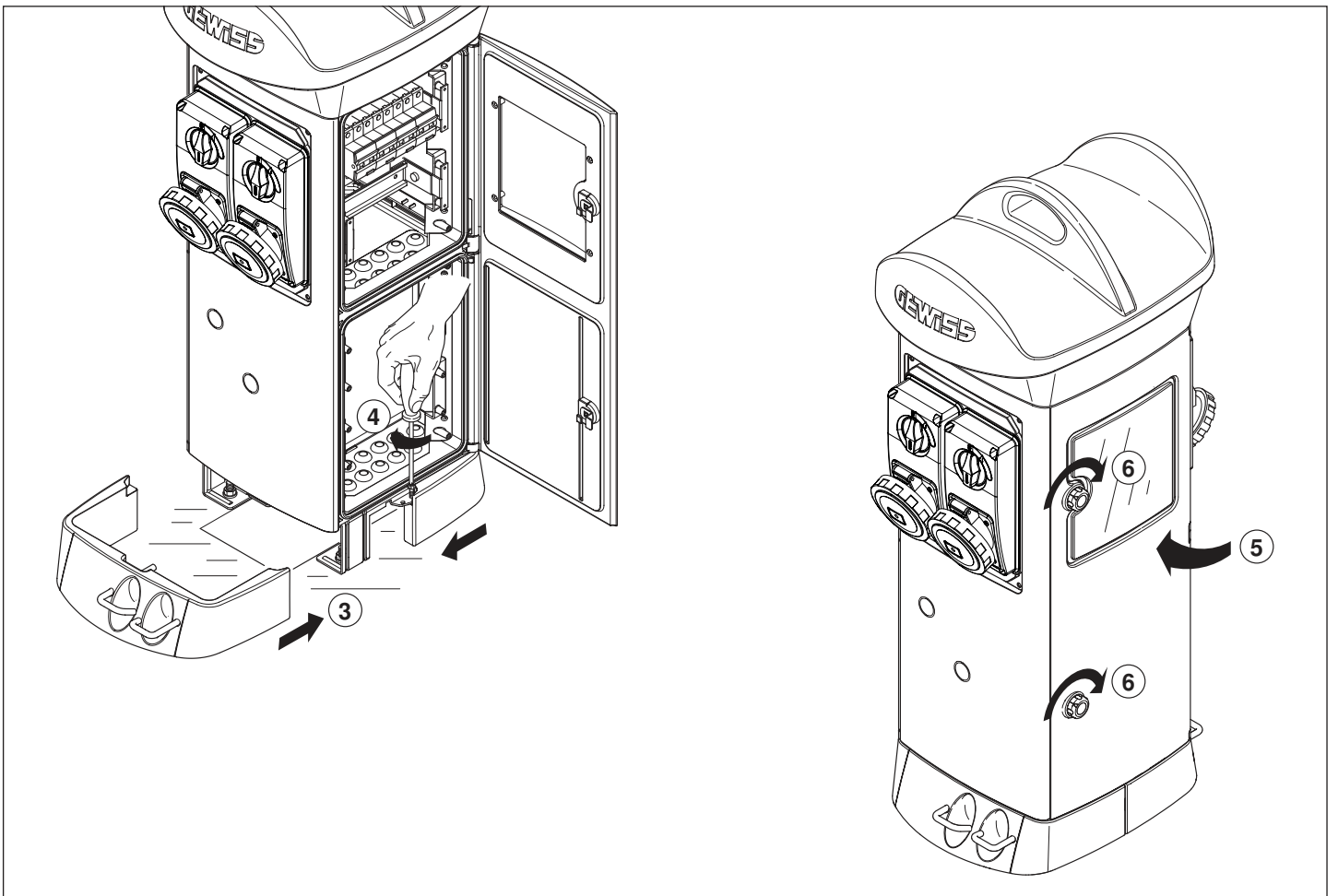
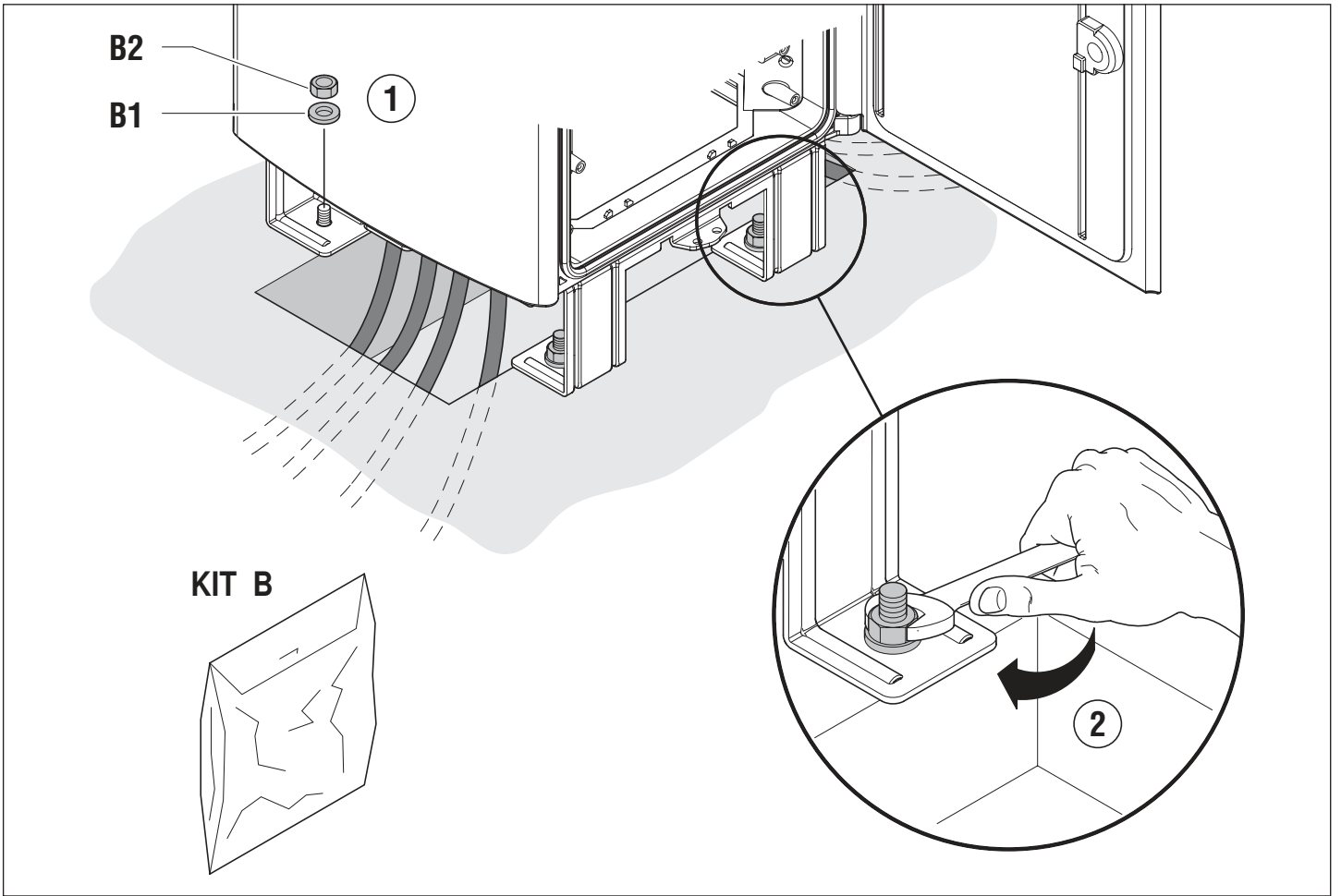


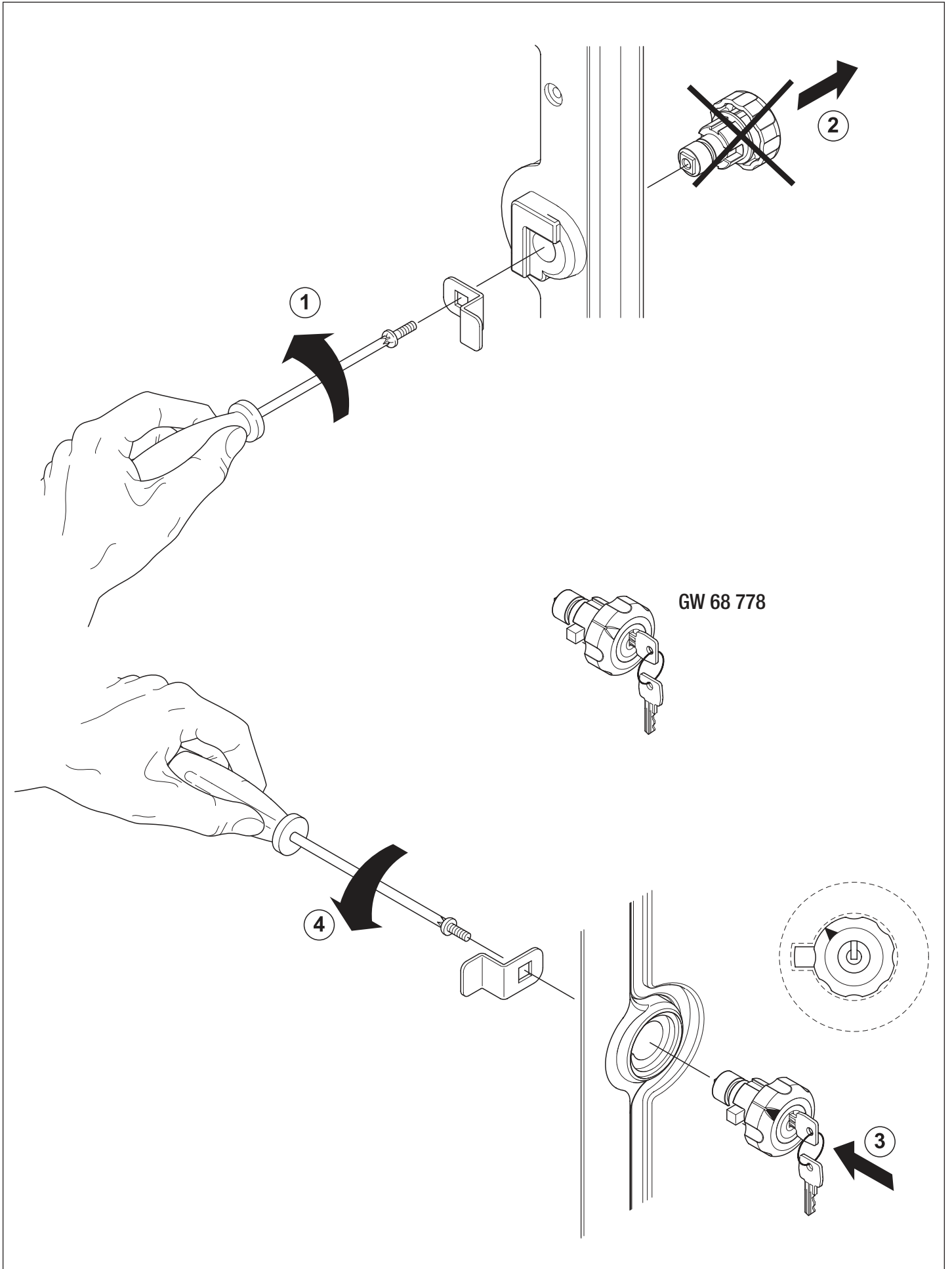


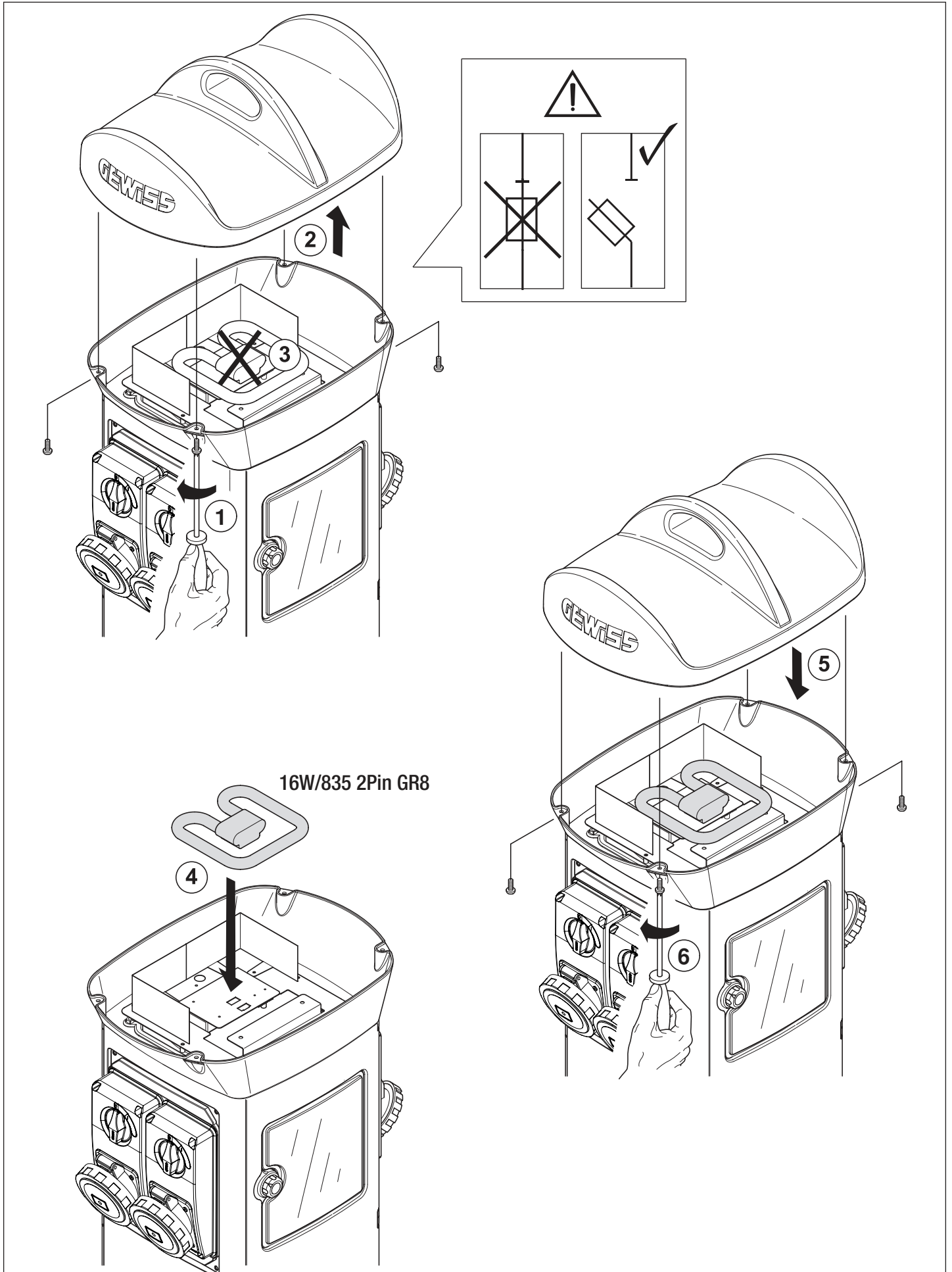


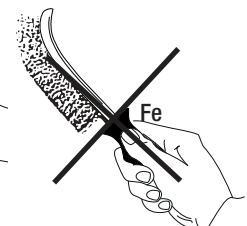
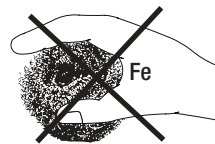
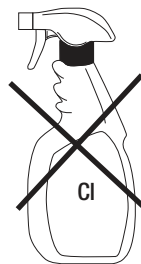
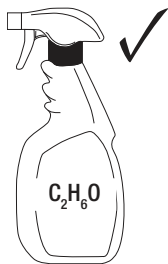
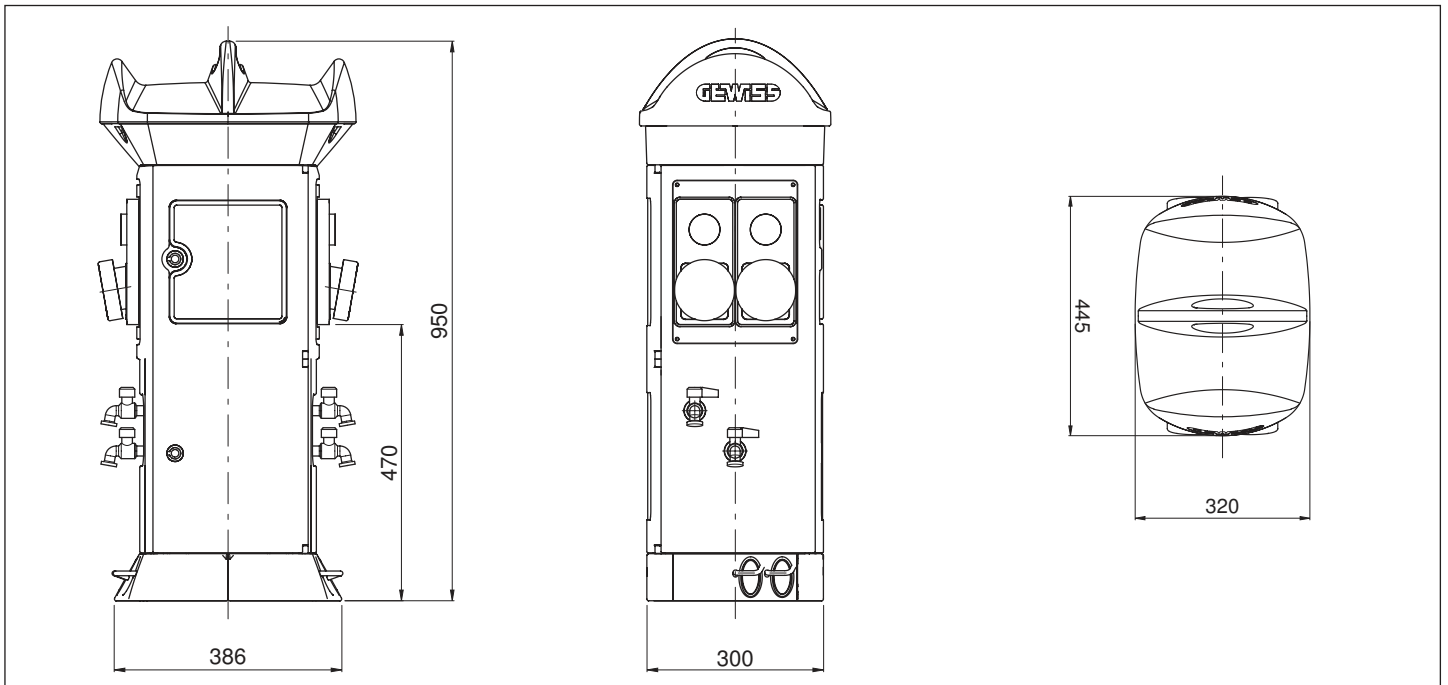
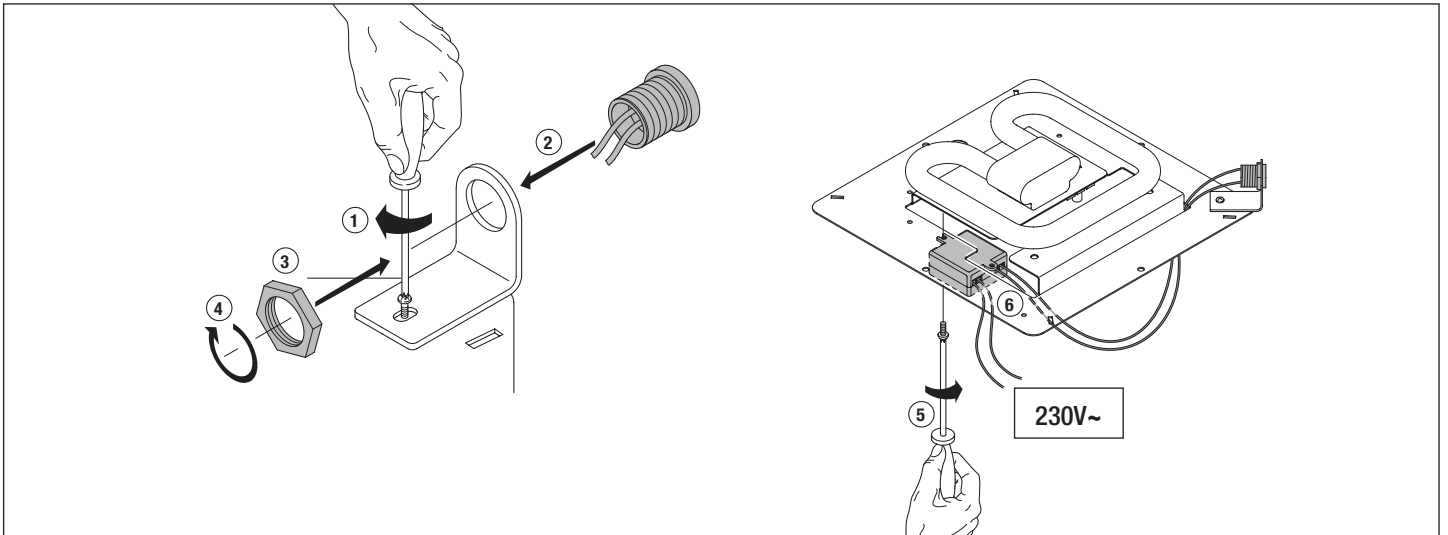












Ai sensi delle Decisioni e delle Direttive Europee applicabili, si informa che il responsabile dell'immissione del prodotto sul mercato Comunitario è:

According to the applicable Decisions and European Directives, the responsible for placing the apparatus on the Community market is:

GEWISS S.p.A. Via A.Volta, 1 IT-24069 Cenate Sotto (BG) Italy Tel: +39 035 946 111 Fax: +39 035 946 270 E-mail: qualitymarks@gewiss.com



+39 035 946 111
8.30 - 12.30 / 14.00 - 18.00
lunedì - venerdì - monday - friday



+39 035 946 260



sat@gewiss.com
www.gewiss.com