

— TECHNICAL CATALOGUE

HITACHI

PRIMARY

LARGE SINGLE SPLIT
DC-INVERTER SERIES

INDOOR UNITS

MODELS

DUCTED

RPIL-3.0UFE1NH
RPIH-3.5UFE1NH
RPIH-4.0UFE1NH
RPIH-5.0UFE1NH
RPIH-6.0UFE1NH
RPIH-6.5UFE1NH

CASSETTE

RCI-3.0UFE1NH
RCI-3.5UFE1NH
RCI-4.0UFE1NH
RCI-5.0UFE1NH
RCI-6.0UFE1NH
RCI-6.5UFE1NH

FLOOR CEILING

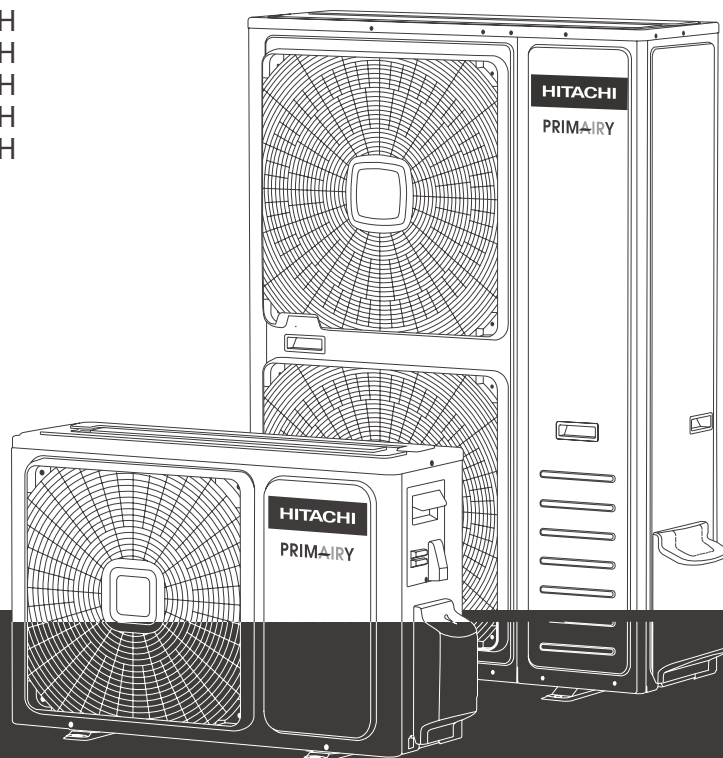
RPFC-3.0UFE1NH
RPFC-3.5UFE1NH
RPFC-4.0UFE1NH
RPFC-5.0UFE1NH
RPFC-6.0UFE1NH
RPFC-6.5UFE1NH

OUTDOOR UNITS

MODELS

RAS-3.0UFESNH1
RAS-3.5UFESNH1
RAS-4.0UFESNH1
RAS-5.0UFESMH1
RAS-6.0UFESMH1
RAS-6.5UFESMH1
RAS-5.0UFESNH1
RAS-6.0UFESNH1

HC2019308HB
TCJ-200313



SAFETY SUMMARY

IMPORTANT NOTICE

- We pursue a policy of continuing improvement in design and performance of products. The right is therefore reserved to vary specifications without notice.
- We cannot anticipate every possible circumstance that might involve a potential hazard.
- This air conditioner is designed for standard air conditioning only. Do not use this air conditioner for other purposes such as drying clothes, refrigerating foods or for any other cooling or heating process. Do not let the air-out face animals or plants, it might have an adverse effect on them.
- The installer and system specialist shall secure safety against leakage according to local regulations or standards.
- Signal words (DANGER, WARNING and CAUTION) are used to identify levels of hazard seriousness. Definitions for identifying hazard levels are provided below with their respective signal words.

▲ DANGER

: Immediate hazards which WILL result in severe personal injury or death.

▲ WARNING

: Hazards or unsafe practices which COULD result in severe personal injury or death.

▲ CAUTION

: Hazards or unsafe practices which COULD result in minor personal injury or product or property damage.

NOTE

: Useful information for operation and/or maintenance.

- Installation should be performed by the dealer or other professional personnels. Improper installation may cause water leakage, electrical shock, or fire.

▲ DANGER

- Do not perform installation work, refrigerant piping work, drain piping and electrical wiring connection without referring to our installation manual. If the instructions are not followed, it may result in water leakage, electric shock or fire.
- Use refrigerant R32 in the refrigerant cycle.
- Do not pour water into the indoor or outdoor unit. These products are equipped with electrical parts. If poured, it will cause a serious electrical shock.
- Do not open the service cover or access panel for the indoor or outdoor units without turning OFF the main power supply.
- Do not touch or adjust safety devices inside the indoor or outdoor units. If these devices are touched or readjusted, it may cause a serious accident.
- Refrigerant leakage can cause difficulty in breathing due to insufficient air. Turn OFF the main switch, extinguish any naked flames and contact your service contractor, if refrigerant leakage occurs.
- Do perform air-tight test. Do not charge oxygen, acetylene or other flammable and poisonous gas into the refrigerant cycle when performing a leakage test or an air-tight test. These types of gas are extremely dangerous and can cause an explosion. It is recommended that nitrogen be used for this test.
- The installer and system specialist shall secure safety against refrigerant leakage according to local regulations or standards.
- Use an ELB (Electric Leakage Breaker). In the event of a fault, there is danger of an electric shock or a fire if it is not used.

▲ WARNING

- Do not use any sprays such as insecticide, lacquer, hair spray or other flammable gas within approximately one (1) meter from the system.

- If circuit breaker or fuse is often activated, stop the system and contact your service contractor.
- Check that the ground wire is securely connected. If the unit is not correctly grounded, it will lead to electric shock. Do not connect the ground wiring to gas piping, water piping, lightning conductor or ground wiring for telephone.
- Before performing any brazing work, check to ensure that there is no flammable material around. When using refrigerant, be sure to wear leather gloves to prevent cold injuries.
- Protect the wires, electrical parts, etc. from rats or other small animals. If not protected, rats may gnaw at unprotected parts, which may lead to a fire.
- Fix the cables securely. External force on the terminals could lead to a fire.
- Install the air conditioner on a solid base that can support the unit weight. An inadequate base or incomplete installation may cause injury in the event the unit falls off the base. Incomplete connections or clamping may cause terminal overheating or fire.
- Make sure that the outdoor unit is not covered with snow or ice, before operation.

 **CAUTION**

- Do not step or put any material on the product.
- Do not put any foreign material on the unit or inside the unit.

NOTE

- It is recommended that the room be ventilated every 3 to 4 hours.
- The air conditioner may not work properly under the following circumstances.
The power transformer provides the same power with the air conditioner. The electrical equipment is too close to the power supply of the air conditioner. With the sharp change of power consumption and switching action, the power supply of the air conditioner will generate a large induction surge voltage.

CHECKING PRODUCT RECEIVED

- Upon receiving this product, inspect it for any shipping damage. Claims for damage, either apparent or concealed, should be filed immediately with the shipping company.
- Check the model number, electrical characteristics (power supply, voltage and frequency) and accessories to determine if they are correct.
The standard utilization of the unit shall be explained in these instructions.
Therefore, the utilization of the unit other than those indicated in these instructions is not recommended.
Please contact your local agent, as the occasion arises.


 • *The figures in this manual are based on the external view of a standard model. Consequently, the shape may differ from that of the air conditioner you have selected.*

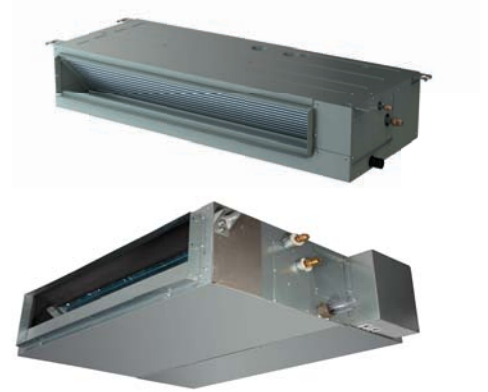
Table of Contents

1. General	1
1.1 Features	1
1.2 Product lineup	4
1.3 Nomenclature for Hitachi PAC	4
1.4 Unit installation	5
1.5 Working range	5
1.6 Product appearance	6
2. Specifications	10
2.1 Duct type	10
2.2 Cassette type	14
2.3 Floor ceiling type	18
3. Outlines and dimensions	22
3.1 Indoor units	22
3.2 Outdoor units	27
4. Electrical data	31
5. Capacities and selection data	32
5.1 Capacity characteristic charts	32
5.2 Piping length correction factor	90
5.3 Correction factors according to defrosting operation	92
6. Sound pressure data	93
7. Air flow distribution	100
7.1 Cassette	100
7.2 Floor ceiling	106
8. ESP (External Static Pressure) chart (Ducted type)	118
9. Refrigerant cycle	124
10. Fresh air intake function	129
11. Wiring diagram	131
11.1 Electrical wiring diagrams	131
11.2 Control board picture	142
11.3 Common wiring	147
12. Field setting	148
12.1 Outdoor unit DIP switch	148
12.2 ESP setting	149
12.3 Indoor unit parameter revision	150
12.4 Running parameter query	152
12.5 Instructions for the function setting of access control, fire protection	155
12.6 Instructions for the function setting of ON/OFF	157
13. Piping work and refrigerant charge	158
13.1 MAX. length allowed	158
13.2 Oil trap	158
13.3 Air tight test	159
13.4 Additional refrigerant charge	159
14. Installation tools and installation flow chart	160
14.1 Necessary tools and instrument list for installation	160
14.2 Installation flow chart	161
15. Control mode	162
15.1 Indoor unit mode control	162
15.2 Outdoor unit mode control	165
16. Sensor parameter	166

1. GENERAL

1.1 Features

Ducted Type Air Conditioner



Features

- **Saving Installation Space**

The indoor unit can be installed inside the ceiling conveniently.
- **Optional Static Pressure**

Optional ESP, a variety of optional installation methods.
- **24-hour Timer ON and OFF**

This Timer can be set to automatically turn the unit on or off within a 24-hour period.
- **Mute Operation**

The excellent fan design enables smooth airflow with minimum noise.
- **Meeting Various Installation Requirements**

Both the back-air-inlet type and down-air-inlet type can be installed according to the actual installation space. Difference lies in that the noise of the down-air-inlet type increases by 5-6dB.
- **Auto Re-start from Power Break**

When the power supply is recovered after power break, all presets are still effective and the air conditioner will run according to the previous setting.
- **Fault Self-diagnosis Function**

When there is a problem in the air conditioner, the microcomputer could diagnose the faults, which can be read from the display and is convenient for maintenance.

1. GENERAL

Cassette Type Air Conditioner



Features

- **Saving Installation Space**
The indoor unit can be installed inside the ceiling conveniently.
- **24-hour Timer ON and OFF**
This Timer can be set to automatically turn the unit on or off within a 24-hour period.
- **Mute Operation**
The excellent fan design enables smooth airflow with minimum noise.
- **Auto Re-start from Power Break**
When the power supply is recovered after power break, all presets are still effective and the air conditioner will run according to the previous setting.
- **Fault Self-diagnosis Function**
When there is a problem in the air conditioner, the microcomputer can diagnose the faults, which can be read from the display and is convenient for maintenance.

1. GENERAL

Ceiling & Floor Air Conditioner



Features

➤ **Saving Installation Space**

The indoor unit is only 230mm high, so it can be installed inside the ceiling conveniently.

➤ **Flexible Installation Options**

According to the actual installation space, the indoor unit can be installed in the ceiling or on the floor. One unit, two installation methods.

➤ **24-hour Timer ON and OFF**

This Timer can be set to automatically turn the unit on or off within a 24-hour period.

➤ **Mute Operation**

The excellent fan design enables smooth airflow with minimum noise.

➤ **Various Refrigerant Pipe Connecting Methods**

The refrigerant pipe can be connected from 3 different directions (rear, right, or top).

➤ **Auto Re-start from Power Break**

When the power supply is recovered after power break, all presets are still effective and the air conditioner will run according to the previous setting.

➤ **Fault Self-diagnosis Function**

When there is a problem in the air conditioner, the microcomputer could diagnose the faults, which can be read from the display and is convenient for maintenance.

1. GENERAL

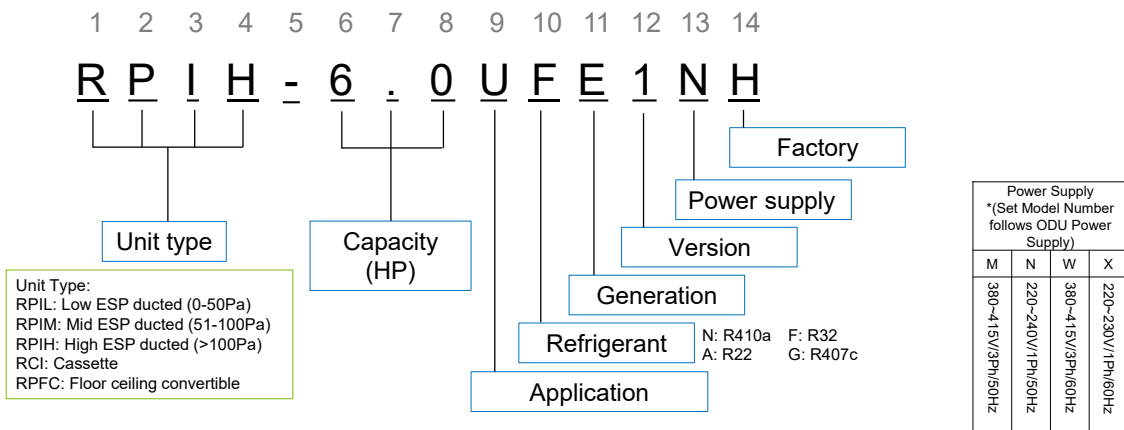
1.2 Product lineup

Model (HP) \ Type	3.0	3.5	4.0	5.0	6.0	6.5
Ducted	●	●	●	●	●	●
Cassette	●	●	●	●	●	●
Floor Ceiling	●	●	●	●	●	●

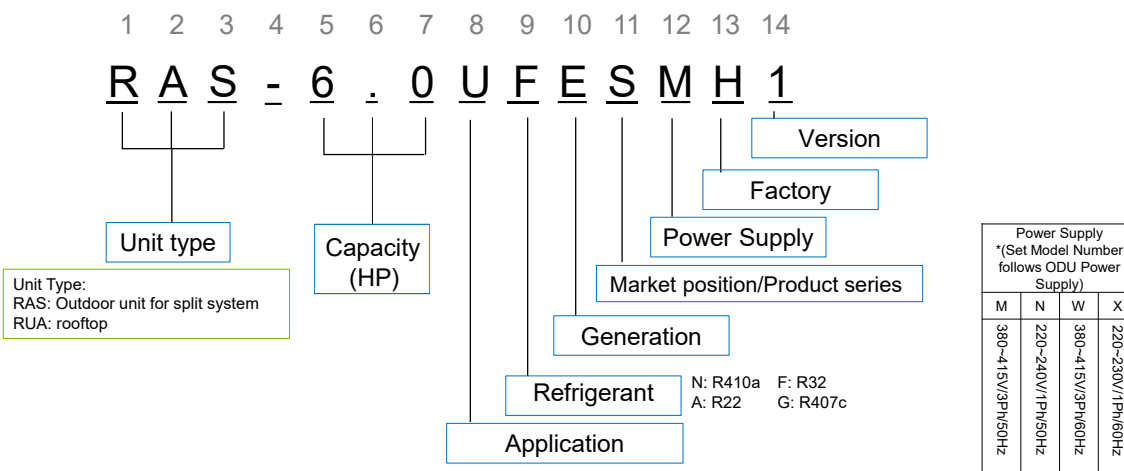
●: available model

1.3 Nomenclature for Hitachi PAC

Indoor unit model



Outdoor unit model



1. GENERAL

1.4 Unit installation

1:1 system is the only compatible combination.

(Only one indoor unit can be connected with one outdoor unit.)

1.5 Working range

Power Supply

Working voltage	176V~264V (Single phase 3.0HP-6.0HP),342V~438V (Three phase 5.0HP-6.5HP)
Voltage imbalance	Within a 3% deviation from each voltage at the main terminal of the outdoor unit
Starting voltage	Higher than 5% of the rated voltage

Operating temperature range

This air conditioner is designed for the following outdoor operating temperatures.

Type	Mode	Outdoor operating temperature (°C)	
		maximum	minimum
DC-Inverter Split Air Conditioner (Heat pump type)	Cooling Operation	48	-15
	Heating Operation	24	-15

Storage condition:


Temperature: -25~60°C

Humidity: 30%~80%

1. GENERAL

1.6 Product appearance

Ducted type

Model (HP)	Indoor Unit	Outdoor Unit
3.0		
3.5		
4.0		
5.0		
6.0/6.5		

1. GENERAL

Cassette type

Model (HP)	Indoor Unit	Outdoor Unit
3.0/3.5		
4.0		
5.0		
6.0/6.5		

1. GENERAL

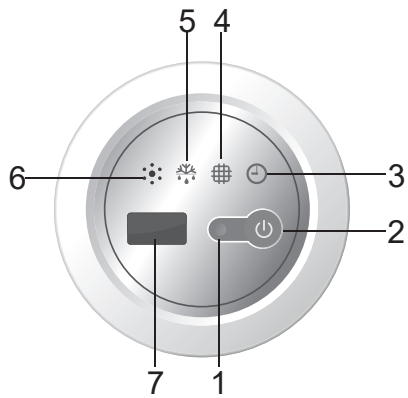
Floor ceiling type

Model (HP)	Indoor Unit	Outdoor Unit
3.0		
3.5		
4.0		
5.0		
6.0/6.5		

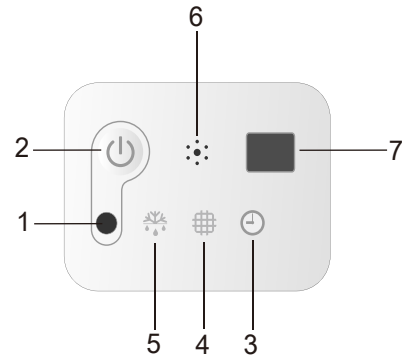
1. GENERAL

Display panel

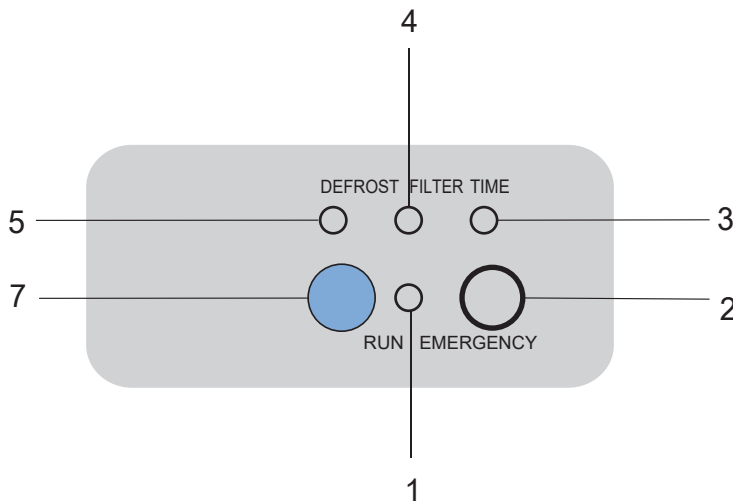
Ducted type



Cassette type



Floor ceiling type



Description

- 1 Run indicator (Red)**
It lights on in operation. It lights off in SLEEP mode.
- 2 Emergency switch**
The filter cleaning indicator is reset when the switch is pressed. The unit will be started or stopped once the switch is pressed. The unit will be operated in forced cooling mode if press the switch continuously for more than 5s when the unit is off.
- 3 Timer indicator (Green)**
It lights on when timer is in use. It lights off when timer completes.
- 4 Filter cleaning (Yellow)**
It lights on when the filter needs to be cleaned.
- 5 Defrosting indicator (Green)**
It lights on during defrosting and it lights off when defrosting is completed.
- 6 Buzzer**
It rings when the signal from remote controller is received.
- 7 Infrared receiver**
Receives signal from the remote controller.

2. SPECIFICATIONS

2.1 Ducted type

Indoor model				RPII-3.0UFE1NH	RPII-3.5UFE1NH	RPII-4.0UFE1NH	RPII-5.0UFE1NH	RPII-5.0UFE1NH	RPII-6.0UFE1NH	RPII-6.0UFE1NH	RPII-6.5UFE1NH	
Outdoor model				RAS-3.0UFESNH1	RAS-3.5UFESNH1	RAS-4.0UFESNH1	RAS-5.0UFESMH1	RAS-5.0UFESNH1	RAS-6.0UFESMH1	RAS-6.0UFESNH1	RAS-6.5UFESMH1	
Electric parameter	Power supply	Indoor	V/ph/Hz	220-240/1/50	220-240/1/50	220-240/1/50	220-240/1/50	220-240/1/50	220-240/1/50	220-240/1/50	220-240/1/50	
	Power supply	Outdoor	V/ph/Hz	220-240/1/50	220-240/1/50	220-240/1/50	380-415/3/50	220-240/1/50	380-415/3/50	220-240/1/50	380-415/3/50	
	Input consumption	Max.	W	4100	4100	5100	6400	6400	7200	7200	7800	
	Input current	Max.	A	18.10	18.00	22.50	11.60	28.20	12.60	30.00	13.1	
Seasonal efficiency	Cooling	Pdesignc	kW	6.90	8.50	10.10	12.10	12.50	14.19	14.10	17.10	
		SEER	Btu/(W·h)	6.29	6.20	6.10	6.28	6.10	5.94	5.94	5.81	
		ηs,c	100%	-	-	-	248%	241%	235%	235%	229%	
		Energy Efficiency Class	-	A++	A++	A++	-	-	-	-	-	
		Annual energy consumption	kWh/a	395	499	577	761	698	849	829	943	
	Heating (Average Season)	Pdesignh	kW	6.00	6.50	8.20	9.50	9.00	12.40	12.10	11.00	
		SCOP	Btu/(W·h)	4.05	4.00	3.92	3.70	3.70	3.70	3.70	3.72	
		ηs,c	100%	-	-	-	145%	145%	145%	145%	146%	
		Energy Efficiency Class	-	A+	A+	A	-	-	-	-	-	
		Annual energy consumption	kWh/a	2007	2313	2926	3674	3392	4694	4503	4205	
		Tbiv	°C	-7	-7	-7	-7	-7	-7	-7	-7	
	Tol	°C	-15	-15	-15	-15	-15	-15	-15	-15		
	Cooling	Capacity	Rated	kW	6.90	8.50	10.10	12.10	12.50	14.19	14.10	17.10
			Range (Min~Max)	kW	2.45~7.85	4.00~9.50	3.50~11.00	3.30~13.20	3.30~13.20	3.20~16.00	3.20~16.00	3.30~18.50
Moisture Removal		L/h	L/h	1.95	3.20	4.40	5.30	5.30	6.00	6.00	6.40	
Input		Rated	kW	2.16	2.67	3.80	4.22	4.38	4.78	4.78	6.60	
		Range (Min~Max)	kW	0.33~4.10	0.90~4.10	0.90~5.10	0.88~6.40	0.88~6.40	0.80~7.20	0.80~7.20	1.67~7.80	
Current		Rated	A	9.50	11.60	17.10	7.40	19.00	8.70	21.00	12.50	
EER	Rated	W/W	3.19	3.18	2.66	2.87	2.85	2.97	2.95	2.59		
Heating	Capacity	Rated	kW	8.30	9.00	10.50	13.40	12.80	16.13	16.50	18.00	
		Range (Min~Max)	kW	2.20~8.70	3.50~9.40	3.32~12.00	3.00~14.60	3.00~14.60	3.40~18.50	3.40~18.50	3.00~19.50	
	Input	Rated	kW	2.22	2.40	3.50	4.07	3.82	4.65	4.85	6.10	

2. SPECIFICATIONS

Indoor model			RPII-3.0UFE1NH	RPII-3.5UFE1NH	RPII-4.0UFE1NH	RPII-5.0UFE1NH	RPII-5.0UFE1NH	RPII-6.0UFE1NH	RPII-6.0UFE1NH	RPII-6.5UFE1NH		
Outdoor model			RAS-3.0UFESNH1	RAS-3.5UFESNH1	RAS-4.0UFESNH1	RAS-5.0UFESMH1	RAS-5.0UFESNH1	RAS-6.0UFESMH1	RAS-6.0UFESNH1	RAS-6.5UFESMH1		
		Range (Min~Max)	kW	0.33~4.10	0.66~4.10	0.70~5.10	0.74~6.40	0.74~6.40	0.78~7.20	0.78~7.20	1.36~7.80	
	Current	Rated	A	10.30	10.50	16.00	7.30	16.60	8.40	21.00	11.60	
	COP	Rated	W/W	3.74	3.75	3.00	3.29	3.35	3.47	3.40	2.95	
Indoor fan motor	Model		-	SIC-68CVL-F16 0-2	SIC-101CW-F12 10	SIC-101CW-F12 10	SIC-101CW-F12 50-4	SIC-101CW-F12 50-4	SIC-101CW-F12 50-4	SIC-101CW-F12 50-4	SIC-101CW-F12 50-4	
	Qty		-	1	1	1	1	1	1	1	1	
	Output		W	60	210	210	250	250	250	250	250	
	Speed(Hi/Med/Lo)		r/min	950/800/670	900/800/640	1050/980/900	910/810/710	910/810/710	1100/1000/900	1100/1000/900	1100/1000/900	
Indoor coil	Number of rows		-	3	3	3	3	3	3	3	3	
	Tube pitch(a) ×Row pitch(b)		mm	21×13.6	21×13.6	21×13.6	21×18.19	21×18.19	21×18.19	21×18.19	21×18.19	
	Fin spacing		mm	1.60	1.60	1.60	1.40	1.40	1.40	1.40	1.40	
	Fin type		-	Hydrophilic aluminium	Hydrophilic aluminium	Hydrophilic aluminium	Hydrophilic aluminium	Hydrophilic aluminium	Hydrophilic aluminium	Hydrophilic aluminium	Hydrophilic aluminium	
	Tube outside diameter and type		mm	Φ7, Innergroove tube	Φ7, Innergroove tube	Φ7, Innergroove tube	Φ7, Innergroove tube	Φ7, Innergroove tube	Φ7, Innergroove tube	Φ7, Innergroove tube	Φ7, Innergroove tube	
	Coil (Length ×Height ×Width)		mm	1002×210×40.8	960×336×40.8	960×336×40.8	1100×378×54.6	1100×378×54.6	1100×378×54.6	1100×378×54.6	1100×378×54.6	
	Number of circuits		-	6	6	6	9	9	9	9	9	
Indoor unit	Dimension		W×H×D	mm	1180×190×447	1140×268×720	1140×268×720	1300×350×800	1300×350×800	1300×350×800	1300×350×800	
	Packing		W×H×D	mm	1350×285×565	1330×360×870	1330×360×870	1550×410×940	1550×410×940	1550×410×940	1550×410×940	
	Weight		Net/Gross	kg	24.0/27.5	37.5/44.5	37.5/44.5	51.0/60.0	51.0/60.0	51.0/60.0	51.0/60.0	
	Air Volume		Hi/Med/Lo	m³/h	1000/700/490	1450/1120/900	1800/1600/1400	1750/1500/1300	1750/1500/1300	2400/2200/1900	2400/2200/1900	2400/2200/1900
			Hi/Med/Lo	CFM	588/411/288	853/659/529	1059/941/824	1029/882/765	1029/882/765	1412/1294/1118	1412/1294/1118	1412/1294/1118
	Sound Level (SPL)		Hi/Med/Lo	dB(A)	38/34/31	41/38/33	42/40/38	43/40/37	43/40/37	47/45/42	47/45/42	48/45/43
	Sound Level (PWL)		Hi	dB(A)	61	63	65	69	69	77	77	77
	External Static Pressure		Rated	Pa	25	37	37	50	50	50	50	50
			Range	Pa	0~40	0~120	0~120	0~120	0~120	0~120	0~120	0~120
	Controller		Type	-	Wired	Wired	Wired	Wired	Wired	Wired	Wired	Wired
			Model	-	HCWA21NEWH	HCWA21NEWH	HCWA21NEWH	HCWA21NEWH	HCWA21NEWH	HCWA21NEWH	HCWA21NEWH	HCWA21NEWH
	Drainage water pipe diameter		mm	ODΦ32	ODΦ32	ODΦ32	ODΦ32	ODΦ32	ODΦ32	ODΦ32	ODΦ32	ODΦ32
	Drain pump		-	Standard	Standard	Standard	Standard	Standard	Standard	Standard	Standard	Standard
	Air filter		-	Standard	Standard	Standard	Standard	Standard	Standard	Standard	Standard	Standard
Qty' per 20' /40' /40'HQ		-	128/264/297	60/126/147	60/126/147	35/75/90	35/75/90	35/75/90	35/75/90	35/75/90	35/75/90	
Design		H/L	MPa	4.3/1.6	4.3/1.6	4.3/1.6	4.3/1.6	4.3/1.6	4.3/1.6	4.3/1.6	4.3/1.6	

2. SPECIFICATIONS

Indoor model				RPIL-3.0UFE1NH	RPIH-3.5UFE1NH	RPIH-4.0UFE1NH	RPIH-5.0UFE1NH	RPIH-5.0UFE1NH	RPIH-6.0UFE1NH	RPIH-6.0UFE1NH	RPIH-6.5UFE1NH
Outdoor model				RAS-3.0UFESNH1	RAS-3.5UFESNH1	RAS-4.0UFESNH1	RAS-5.0UFESMH1	RAS-5.0UFESNH1	RAS-6.0UFESMH1	RAS-6.0UFESNH1	RAS-6.5UFESMH1
Room temperature	Setting Temperature Range	Cooling	°C	16~30	16~30	16~30	16~30	16~30	16~30	16~30	16~30
		Heating	°C	16~30	16~30	16~30	16~30	16~30	16~30	16~30	16~30
Compressor	Model		-	KTM240D57UMT	KTM240D57UMT	KTF310D43UMT	KTF310D43UMT	KTF310D43UMT	KTF400D64UMT	KTF400D64UMT	KTQ420D1UMU
	Type		-	ROTARY	ROTARY	ROTARY	ROTARY	ROTARY	ROTARY	ROTARY	ROTARY
	Brand		-	GMCC	GMCC	GMCC	GMCC	GMCC	GMCC	GMCC	GMCC
	Capacity		Btu/h	26323	26331	34154	34154	34154	34470	34470	46755
	Input		W	2085	2085	2765	2765	2765	3155	3155	3700
	Rated current(RLA)		A	9.45	9.45	5.38	5.38	5.38	13.20	13.20	7.02
	Refrigerant oil	Model		-	POE VG74	POE VG74	POE VG74	POE VG74	POE VG74	POE VG74	POE VG74
Amount		ml	670	670	1000	1000	1000	1000	1000	1400	
Outdoor fan motor	Model		-	SIC-61FW-F161-1	SIC-61FW-F161-1	SIC-71FW-F812-1-1	SIC-81FW-F113-8-1	SIC-81FW-F113-8-1	SIC-71FW-D812-1-1 &SIC-71FW-D8121-2	SIC-71FW-D812-1-1 SIC-71FW-D812-1-2	SIC-71FW-D812-1-1 &SIC-71FW-D8121-2
	Qty		-	1	1	1	1	1	2	2	2
	Output		W	61	61	121	138	138	121	121	121
	Speed		r/min	880	880	830	810	810	810	810	810
Outdoor coil	Number of rows		-	2	2	2	2	2	2	2	2
	Tube pitch(a) x Row pitch(b)		mm	21×21.65	21×21.65	21×21.65	21×21.65	21×21.65	21×21.65	21×21.65	21×21.65
	Fin spacing		mm	1.40	1.40	1.30	1.60	1.60	1.40	1.40	1.40
	Fin type		-	Hydrophilic aluminium	Hydrophilic aluminium	Hydrophilic aluminium	Hydrophilic aluminium	Hydrophilic aluminium	Hydrophilic aluminium	Hydrophilic aluminium	Hydrophilic aluminium
	Tube outside diameter and type		mm	Φ7.94, Innergroove tube	Φ7.94, Innergroove tube	Φ7.94, Innergroove tube	Φ7.94, Innergroove tube	Φ7.94, Innergroove tube	Φ7.94, Innergroove tube	Φ7.94, Innergroove tube	Φ7.94, Innergroove tube
	Coil (Length*Height *Width)		mm	900×630×43.3	900×630×43.3	970×798×43.3	970×1008×43.3	970×1008×43.3	970×1344×43.3	970×1344×43	970×1344×43.3
Number of circuits		-	6	6	5	6	6	12	12	12	
Outdoor unit	Dimension	W×H×D	mm	860×670×310	860×670×310	950×840×340	950×1050×340	950×1050×340	950×1386×340	950×1386×340	950×1386×340
	Packing	W×H×D	mm	990×730×450	990×730×450	1110×920×460	1110×1200×460	1110×1200×460	1110×1530×460	1110×1530×460	1110×1530×460
	Weight	Net/Gross	kg	49.0/53.0	49.0/53.0	70.0/75.0	85.0/95.0	85.0/97.0	101.5/114.5	101.5/114.5	109.0/121.0
	Air Volume	Hi	m³/h	3150	3150	3800	5800	5800	6300	6300	6300
	Sound Level (SPL)	Hi	dB(A)	54	54	58	62	62	62	62	67

2. SPECIFICATIONS

Indoor model				RPII-3.0UFE1NH	RPIH-3.5UFE1NH	RPIH-4.0UFE1NH	RPIH-5.0UFE1NH	RPIH-5.0UFE1NH	RPIH-6.0UFE1NH	RPIH-6.0UFE1NH	RPIH-6.5UFE1NH	
Outdoor model				RAS-3.0UFESNH1	RAS-3.5UFESNH1	RAS-4.0UFESNH1	RAS-5.0UFESMH1	RAS-5.0UFESNH1	RAS-6.0UFESMH1	RAS-6.0UFESNH1	RAS-6.5UFESMH1	
	Sound Level (PWL)	Hi	dB(A)	69	70	70	76	76	76	76	80	
	Refrigerant	Type	-	R32	R32	R32	R32	R32	R32	R32	R32	R32
		Amount	kg	1.40	1.45	2.00	2.50	2.50	3.00	3.00	3.00	3.40
		TCO2Eq	-	0.945	0.979	1.350	1.688	1.688	2.025	2.025	2.025	2.295
		GWP	-	675	675	675	675	675	675	675	675	675
	Throttle type			-	EEV	EEV	EEV	EEV	EEV	EEV	EEV	EEV
	Qty'per 20' /40' /40'HQ			-	90/186/186	90/186/186	52/106/106	26/53/106	26/53/106	26/53/53	26/53/53	26/53/53
Design pressure	H/L	MPa	4.3/1.6	4.3/1.6	4.3/1.6	4.3/1.6	4.3/1.6	4.3/1.6	4.3/1.6	4.3/1.6	4.3/1.6	
Refrigerant piping	Liquid/ Gas	mm(inch)	Φ9.52/Φ15.88 (3/8'/5/8')	Φ9.52/Φ15.88 (3/8'/5/8')	Φ9.52/Φ19.05 (3/8'/3/4')	Φ9.52/Φ19.05 (3/8'/3/4')	Φ9.52/Φ19.05 (3/8'/3/4')	Φ9.52/Φ19.05 (3/8'/3/4')	Φ9.52/Φ19.05 (3/8'/3/4')	Φ9.52/Φ19.05 (3/8'/3/4')	Φ9.52/Φ19.05 (3/8'/3/4')	
	Pipe length	Max.	m	50	50	50	50	50	50	50	50	
	Height difference	Max. (OD lower)	m	30	30	30	30	30	30	30	30	30
		Max. (OD higher)	m	30	30	30	30	30	30	30	30	30
	Add Refrigerant Amount			g/m	28	28	28	28	28	28	28	28
	Pipe Length for Additional Refrigerant			m	5	5	5	5	5	5	5	5
Ambient Temperature Range	Cooling			°C	-15~48	-15~48	-15~48	-15~48	-15~48	-15~48	-15~48	
	Heating			°C	-15~24	-15~24	-15~24	-15~24	-15~24	-15~24	-15~24	

NOTE:

1. Capacity and seasonal performance date (SEER/SCOP) are based on EN14511 and EN14825.

Test conditions:

Cooling: Indoor: DB27°C/ WB19°C Outdoor: DB35°C/ WB24°C

Heating: Indoor: DB20°C/ WB15°C Outdoor: DB7°C/ WB 6°C

2. The Sound Pressure Level is based on the following conditions:

Outdoor unit:

Measure the noise value of 3 points, which are 1 meter in front of the three sides of the unit surface

(front/left/right) and 1/2(unit height +1) meter high from floor level, and calculate the weighted average of the noise.

Indoor unit:

Ducted:

Measure the noise value of the point 1.4m below the unit and 1.0m high from the ground.

3. The above data was measured in an anechoic chamber. Please take into consideration the reflected sound of your specific application environment.

4. All specifications are subject to change by the manufacturer without prior notice.

2. SPECIFICATIONS

2.2 Cassette type

Indoor model				RCI-3.0UFE1NH	RCI-3.5UFE1NH	RCI-4.0UFE1NH	RCI-5.0UFE1NH	RCI-5.0UFE1NH	RCI-6.0UFE1NH	RCI-6.0UFE1NH	RCI-6.5UFE1NH
Outdoor model				RAS-3.0UFESNH1	RAS-3.5UFESNH1	RAS-4.0UFESNH1	RAS-5.0UFESMH1	RAS-5.0UFESNH1	RAS-6.0UFESMH1	RAS-6.0UFESNH1	RAS-6.5UFESMH1
Panel				PHKF160SAH1	PHKF160SAH1	PHKF160SAH1	PHKF160SAH1	PHKF160SAH1	PHKF160SAH1	PHKF160SAH1	PHKF160SAH1
Electric parameter	Power supply	Indoor	V/ph/Hz	220-240/1/50	220-240/1/50	220-240/1/50	220-240/1/50	220-240/1/50	220-240/1/50	220-240/1/50	220-240/1/50
	Power supply	Outdoor	V/ph/Hz	220-240/1/50	220-240/1/50	220-240/1/50	380-415/3/50	220-240/1/50	380-415/3/50	220-240/1/50	380-415/3/50
	Input consumption	Max.	W	4100	4100	5100	6400	6400	7100	7200	7800
	Input current	Max.	A	18.10	18.00	22.50	11.60	28.20	12.10	30.00	13.1
Seasonal efficiency	Cooling	Pdesignc	kW	7.00	8.70	10.10	12.10	12.70	13.89	14.00	16.90
		SEER	Btu(W/h)	6.73	6.10	6.10	6.05	5.90	5.64	5.70	5.60
		ηs,c	100%	-	-	-	239%	233%	223%	225%	221%
		Energy Efficiency Class	-	A++	A++	A++	-	-	-	-	-
		Annual energy consumption	kWh/a	388	511.00	580	757	705	894	859	883
		Heating (Average Season)	Pdesignh	kW	6.00	7.20	8.20	9.50	9.00	13.50	13.00
	SCOP		Btu(W/h)	4.33	4.20	3.92	3.98	3.80	3.81	3.75	3.87
	ηs,c		100%	-	-	-	156%	149%	149%	147%	152%
	Energy Efficiency Class		-	A+	A+	A	-	-	-	-	-
	Annual energy consumption		kWh/a	1907	2423	3018	3675	3305	5086	4765	4037
	Tbiv		°C	-7	-7	-7	-7	-7	-7	-7	-7
	Tol	°C	-15	-15	-15	-15	-15	-15	-15	-15	
Cooling	Capacity	Rated	kW	7.00	8.70	10.10	12.10	12.70	13.89	14.00	16.90
		Range (Min~Max)	kW	2.40~7.85	4.00~9.20	3.50~11.00	3.30~13.20	3.30~13.20	3.40~16.20	3.40~16.20	3.30~18.00
	Moisture Removal	L/h	L/h	1.95	3.20	4.40	5.30	5.30	6.00	6.00	6.40
		Input	Rated	kW	1.91	2.71	3.72	4.24	4.31	4.81	5.00
	Range (Min~Max)		kW	0.33~4.10	0.90~4.10	0.90~5.10	0.96~6.40	0.96~6.40	0.91~7.10	0.91~7.10	1.67~7.80
	Current	Rated	A	8.50	11.80	16.80	7.40	18.70	8.70	22.00	12.50
EER	Rated	W/W	3.66	3.21	2.72	2.85	2.95	2.89	2.80	2.51	
Heating	Capacity	Rated	kW	8.25	9.00	11.20	13.50	13.30	16.53	15.80	19.49
		Range (Min~Max)	kW	2.10~8.80	3.50~9.50	3.32~12.00	3.00~14.60	3.00~14.60	3.70~18.00	3.70~18.00	3.00~21.00

2. SPECIFICATIONS

Indoor model				RCI-3.0UFE1NH	RCI-3.5UFE1NH	RCI-4.0UFE1NH	RCI-5.0UFE1NH	RCI-5.0UFE1NH	RCI-6.0UFE1NH	RCI-6.0UFE1NH	RCI-6.5UFE1NH
Outdoor model				RAS-3.0UFESNH1	RAS-3.5UFESNH1	RAS-4.0UFESNH1	RAS-5.0UFESMH1	RAS-5.0UFESNH1	RAS-6.0UFESMH1	RAS-6.0UFESNH1	RAS-6.5UFESMH1
Heating	Input	Rated	kW	2.03	2.25	3.50	3.70	3.86	4.71	4.95	6.74
		Range (Min~Max)	kW	0.33~4.10	0.66~4.10	0.60~5.10	0.68~6.40	0.68~6.40	0.82~7.10	0.82~7.10	1.36~7.80
	Current	Rated	A	9.00	9.80	16.00	6.50	16.80	8.40	23.00	12.60
	COP	Rated	W/W	4.06	4.00	3.20	3.65	3.45	3.51	3.19	2.89
Indoor fan motor	Model		-	EHDS50AQH	EHDS50AQH	EHDS50AQH	SIC-72FW-D812 4-2B	SIC-72FW-D812 4-2B	SIC-72FW-D812 4-2B	SIC-72FW-D812 4-2B	SIC-72FW-D812 4-2B
	Qty		-	1	1	1	1	1	1	1	1
	Output		W	80	80	80	124	124	124	124	124
	Speed(Hi/Med/Lo)		r/min	460/400/300	550/480/390	600/480/390	630/600/570	630/600/570	700/540/460	700/540/460	740/540/460
Indoor coil	Number of rows		-	2	3	3	3	3	3	3	3
	Tube pitch(a) x Row pitch(b)		mm	21x13.6	21x13.6	21x13.6	21x13.6	21x13.6	21x13.6	21x13.6	21x13.6
	Fin spacing		mm	1.5	1.5	1.5	1.5	1.5	1.5	1.5	1.5
	Fin type		-	Hydrophilic aluminium	Hydrophilic aluminium	Hydrophilic aluminium	Hydrophilic aluminium	Hydrophilic aluminium	Hydrophilic aluminium	Hydrophilic aluminium	Hydrophilic aluminium
	Tube outside diameter and type		mm	Φ7, Innergroove tube	Φ7, Innergroove tube	Φ7, Innergroove tube	Φ7, Innergroove tube	Φ7, Innergroove tube	Φ7, Innergroove tube	Φ7, Innergroove tube	Φ7, Innergroove tube
	Coil (Length x Height x Width)		mm	1870×189×27.2	1940×189×40.8	1940×189×40.8	1940×252×40.8	1940×252×40.8	1940×252×40.8	1940×252×40.8	1940×252×40.8
	Number of circuits		-	6	5	5	6	6	6	6	6
Indoor unit	Dimension	W×H×D	mm	840×248×840	840×248×840	840×248×840	840×298×840	840×298×840	840×298×840	840×298×840	840×298×840
	Packing	W×H×D	mm	996×370×956	996×370×956	996×370×956	996×420×956	996×420×956	996×420×956	996×420×956	996×420×956
	Weight	Net/Gross	kg	25.0/34.0	27.0/36.0	27.0/36.0	32.0/41.0	32.0/41.0	32.0/41.0	32.0/41.0	32.0/41.0
	Air Volume	Hi/Med/Lo	m ³ /h	1180/980/720	1400/1120/900	1600/1300/1000	1850/1700/1550	1850/1700/1550	2100/1700/1400	2100/1700/1400	2100/1700/1400
		Hi/Med/Lo	CFM	694/576/423	824/659/529	941/765/588	1088/1000/912	1088/1000/912	1235/1000/824	1235/1000/824	1235/1000/824
	Sound Level (SPL)	Hi/Med/Lo	dB(A)	45/42/37	48/46/42	50/45/42	51/49/47	51/49/47	51/45/42	51/45/42	52/45/42
	Sound Level (PWL)	Hi	dB(A)	59	62	65	64	64	65	65	68
	External Static Pressure	Rated	Pa	-	-	-	-	-	-	-	-
		Range	Pa	-	-	-	-	-	-	-	-
	Controller	Type	-	Wireless	Wireless	Wireless	Wireless	Wireless	Wireless	Wireless	Wireless
		Model	-	HCRA31NEWH	HCRA31NEWH	HCRA31NEWH	HCRA31NEWH	HCRA31NEWH	HCRA31NEWH	HCRA31NEWH	HCRA31NEWH
	Drainage water pipe diameter		mm	ODΦ32	ODΦ32	ODΦ32	ODΦ32	ODΦ32	ODΦ32	ODΦ32	ODΦ32
	Drain pump		-	Standard	Standard	Standard	Standard	Standard	Standard	Standard	Standard

2. SPECIFICATIONS

Indoor model			RCI-3.0UFE1NH	RCI-3.5UFE1NH	RCI-4.0UFE1NH	RCI-5.0UFE1NH	RCI-5.0UFE1NH	RCI-6.0UFE1NH	RCI-6.0UFE1NH	RCI-6.5UFE1NH	
Outdoor model			RAS-3.0UFESNH1	RAS-3.5UFESNH1	RAS-4.0UFESNH1	RAS-5.0UFESMH1	RAS-5.0UFESNH1	RAS-6.0UFESMH1	RAS-6.0UFESNH1	RAS-6.5UFESMH1	
Indoor unit	Air filter	-	Standard	Standard	Standard	Standard	Standard	Standard	Standard	Standard	
	Qty/per 20' /40' /40'HQ	-	60/124/140	60/124/140	60/124/140	50/114/128	50/114/128	50/114/128	50/114/128	50/114/128	
	Design	H/L	MPa	4.3/1.6	4.3/1.6	4.3/1.6	4.3/1.6	4.3/1.6	4.3/1.6	4.3/1.6	
Panel	Dimension	W×H×D	mm	950×37×950	950×37×950	950×37×950	950×37×950	950×37×950	950×37×950	950×37×950	
	Packing	W×H×D	mm	990×115×1010	990×115×1010	990×115×1010	990×1150×1010	990×115×1010	990×115×1010	990×115×1010	
	Weight	Net/Gross	kg	6.0/10.0	6.0/10.0	6.0/10.0	6.0/10.0	6.0/10.0	6.0/10.0	6.0/10.0	
Room temperature	Setting Temperature Range	Cooling	°C	16~30	16~30	16~30	16~30	16~30	16~30	16~30	
		Heating	°C	16~30	16~30	16~30	16~30	16~30	16~30	16~30	
Compressor	Model		-	KTM240D57UMT	KTM240D57UMT	KTF310D43UMT	KTF310D43UMT	KTF310D43UMT	KTF400D64UMT	KTF400D64UMT	KTQ420D1UMU
	Type		-	ROTARY	ROTARY	ROTARY	ROTARY	ROTARY	ROTARY	ROTARY	ROTARY
	Brand		-	GMCC	GMCC	GMCC	GMCC	GMCC	GMCC	GMCC	GMCC
	Capacity		Btu/h	26323	26331	34154	34154	34154	34470	34470	46755
	Input		W	2085	2085	2765	2765	2765	3155	3155	3700
	Rated current(RLA)		A	9.45	9.45	5.38	5.38	5.38	13.20	13.20	7.02
	Refrigerant oil	Model	-	POE VG74	POE VG74	POE VG74	POE VG74	POE VG74	POE VG74	POE VG74	POE VG74
Amount		ml	670	670	1000	1000	1000	1000	1000	1400	
Outdoor fan motor	Model		-	SIC-61FW-F161-1	SIC-61FW-F161-1	SIC-71FW-F812 1-1	SIC-81FW-F113 8-1	SIC-81FW-F113 8-1	SIC-71FW-D812 1-1 &SIC-71FW-D81 21-2	SIC-71FW-D812 1-1 &SIC-71FW-D81 21-2	SIC-71FW-D812 1-1 &SIC-71FW-D81 21-2
	Qty		-	1	1	1	1	1	2	2	2
	Output		W	61	61	121	138	138	121	121	121
	Speed		r/min	880	880	830	810	810	810	810	810
Outdoor coil	Number of rows		-	2	2	2	2	2	2	2	
	Tube pitch(a) x Row pitch(b)		mm	21×21.65	21×21.65	21×21.65	21×21.65	21×21.65	21×21.65	21×21.65	21×21.65
	Fin spacing		mm	1.4	1.4	1.3	1.6	1.6	1.4	1.4	1.4
	Fin type		-	Hydrophilic aluminium	Hydrophilic aluminium	Hydrophilic aluminium	Hydrophilic aluminium	Hydrophilic aluminium	Hydrophilic aluminium	Hydrophilic aluminium	Hydrophilic aluminium
	Tube outside diameter and type		mm	Φ7.94, Innergroove tube	Φ7.94, Innergroove tube	Φ7.94, Innergroove tube	Φ7.94, Innergroove tube	Φ7.94, Innergroove tube	Φ7.94, Innergroove tube	Φ7.94, Innergroove tube	Φ7.94, Innergroove tube
	Coil (Length×Height×Width)		mm	900×630×43.3	900×630×43.3	970×798×43.3	970×1008×43.3	970×1008×43.3	970×1344×43.3	970×1344×43	970×1344×43.3
	Number of circuits		-	6	6	5	6	6	12	12	12

2. SPECIFICATIONS

Indoor model				RCI-3.0UFE1NH	RCI-3.5UFE1NH	RCI-4.0UFE1NH	RCI-5.0UFE1NH	RCI-5.0UFE1NH	RCI-6.0UFE1NH	RCI-6.0UFE1NH	RCI-6.5UFE1NH	
Outdoor model				RAS-3.0UFESNH1	RAS-3.5UFESNH1	RAS-4.0UFESNH1	RAS-5.0UFESMH1	RAS-5.0UFESNH1	RAS-6.0UFESMH1	RAS-6.0UFESNH1	RAS-6.5UFESMH1	
Outdoor unit	Dimension	W×H×D	mm	860×670×310	860×670×310	950×840×340	950×1050×340	950×1050×340	950×1386×340	950×1386×340	950×1386×340	
	Packing	W×H×D	mm	990×730×450	990×730×450	1110×920×460	1110×1200×460	1110×1200×460	1110×1530×460	1110×1530×460	1110×1530×460	
	Weight	Net/Gross	kg	49.0/53.0	49.0/53.0	70.0/75.0	85.0/95.0	85.0/97.0	101.5/114.5	101.5/114.5	109.0/121.0	
	Air Volume	Hi	m ³ /h	3150	3150	3800	5800	5800	6300	6300	6300	
	Sound Level (SPL)	Hi	dB(A)	54	54	58	62	62	62	62	67	
	Sound Level (PWL)	Hi	dB(A)	69	70	70	76	76	76	76	80	
	Refrigerant	Type	-	R32	R32	R32	R32	R32	R32	R32	R32	R32
		Amount	kg	1.40	1.45	2.00	2.50	2.50	3.00	3.00	3.00	3.40
		TCO2Eq	-	0.945	0.979	1.350	1.688	1.688	2.025	2.025	2.025	2.295
		GWP	-	675	675	675	675	675	675	675	675	675
Throttle type	-	EEV	EEV	EEV	EEV	EEV	EEV	EEV	EEV	EEV		
Qty'per 20' /40' /40'HQ	-	90/186/186	90/186/186	52/106/106	26/53/106	26/53/106	26/53/106	26/53/53	26/53/53	26/53/53		
Design	H/L	MPa	4.3/1.6	4.3/1.6	4.3/1.6	4.3/1.6	4.3/1.6	4.3/1.6	4.3/1.6	4.3/1.6		
Refrigerant piping	Liquid/ Gas	Mm (inch)	Φ9.52/Φ15.88 (3/8'/5/8')	Φ9.52/Φ15.88 (3/8'/5/8')	Φ9.52/Φ19.05 (3/8'/3/4')	Φ9.52/Φ19.05 (3/8'/3/4')	Φ9.52/Φ19.05 (3/8'/3/4')	Φ9.52/Φ19.05 (3/8'/3/4')	Φ9.52/Φ19.05 (3/8'/3/4')	Φ9.52/Φ19.05 (3/8'/3/4')	Φ9.52/Φ19.05 (3/8'/3/4')	
	Pipe length	Max.	m	50	50	50	50	50	50	50	50	
	Height difference	Max. (OD lower)	m	30	30	30	30	30	30	30	30	30
		Max. (OD higher)	m	30	30	30	30	30	30	30	30	30
	Add Refrigerant Amount	g/m	28	28	28	28	28	28	28	28	28	
Pipe Length for Additional Refrigerant	m	5	5	5	5	5	5	5	5	5		
Ambient Temperature Range	Cooling	°C	-15~48	-15~48	-15~48	-15~48	-15~48	-15~48	-15~48	-15~48	-15~48	
	Heating	°C	-15~24	-15~24	-15~24	-15~24	-15~24	-15~24	-15~24	-15~24	-15~24	

NOTE:

- Capacity and seasonal performance date (SEER/SCOP) are based on EN14511 and EN14825.

Test conditions:

Cooling: Indoor: DB27°C/ WB19°C Outdoor: DB35°C/ WB24°C

Heating: Indoor: DB20°C/ WB15°C Outdoor: DB7°C/ WB 6°C

- The Sound Pressure Level is based on the following conditions:

Outdoor unit:

Measure the noise value of 3 points, which are 1 meter in front of the three sides of the unit surface (front/left/right) and 1/2(unit height +1) meter high from floor level, and calculate the weighted average of the noise.

Indoor unit:

Cassette:

Measure the noise value of the point 1.4m below the unit and 1.0m high from the ground.

- The above data was measured in an anechoic chamber. Please take into consideration the reflected sound of your specific application environment.

- All specifications are subject to change by the manufacturer without prior notice.

2. SPECIFICATIONS

2.3 Floor ceiling type

Indoor model				RPFC-3.0UFE1NH	RPFC-3.5UFE1NH	RPFC-4.0UFE1NH	RPFC-5.0UFE1NH	RPFC-5.0UFE1NH	RPFC-6.0UFE1NH	RPFC-6.0UFE1NH	RPFC-6.5UFE1NH	
Outdoor model				RAS-3.0UFESNH1	RAS-3.5UFESNH1	RAS-4.0UFESNH1	RAS-5.0UFESMH1	RAS-5.0UFESNH1	RAS-6.0UFESMH1	RAS-6.0UFESNH1	RAS-6.5UFESMH1	
Electric parameter	Power supply	Indoor	V/ph/Hz	220-240/1/50	220-240/1/50	220-240/1/50	220-240/1/50	220-240/1/50	220-240/1/50	220-240/1/50	220-240/1/50	
	Power supply	Outdoor	V/ph/Hz	220-240/1/50	220-240/1/50	220-240/1/50	380-415/3/50	220-240/1/50	380-415/3/50	220-240/1/50	380-415/3/50	
	Input	Max.	W	4100	4100	5100	6400	6400	7000	7200	7800	
	Input current	Max.	A	18.10	18.00	22.50	11.60	28.20	12.00	30.00	13.10	
Seasonal efficiency	Cooling	Pdesignc	kW	6.50	8.60	9.80	12.10	12.70	13.76	14.00	16.30	
		SEER	Btu(Wh)	5.81	6.10	5.87	5.70	5.93	5.33	5.45	5.30	
		ηs,c	100%	-	-	-	225%	234%	210%	215%	209%	
		Energy Efficiency Class	-	A+	A++	A+	-	-	-	-	-	
	Heating (Average Season)	Annual energy consumption	kWh/a	391	509	585	803	709	940	899	876	
		Pdesignh	kW	6.00	6.50	7.90	9.50	8.70	12.20	12.00	11.00	
		SCOP	Btu(Wh))	4.01	4.10	3.82	3.78	3.78	3.55	3.68	3.78	
		ηs,c	100%	-	-	-	148%	148%	139%	144%	148%	
		Energy Efficiency Class	-	A+	A+	A	-	-	-	-	-	
		Annual energy consumption	kWh/a	2168	2192	2825	3868	3133	5015	4887	4509	
		Tbiv	°C	-7	-7	-7	-7	-7	-7	-7	-7	
		Toi	°C	-15	-15	-15	-15	-15	-15	-15	-15	
	Cooling	Capacity	Rated	kW	6.50	8.60	9.80	12.10	12.70	13.76	14.00	16.30
			Range(Min~Max)	kW	2.45~7.85	3.50~9.00	3.50~11.00	3.30~13.20	3.30~13.20	3.10~16.10	3.10~16.10	3.30~18.00
Moisture Removal		L/h	L/h	1.95	3.20	4.40	5.30	5.30	6.00	6.00	6.40	
		Input	Rated	kW	1.94	2.95	3.75	4.40	4.53	5.00	5.15	6.83
Range(Min~Max)			kW	0.33~4.10	0.90~4.10	0.90~5.10	0.58~6.40	0.58~6.40	0.85~7.00	0.85~7.00	1.67~7.80	
Current		Rated	A	9.10	12.70	16.90	7.50	19.70	8.50	22.50	12.50	
EER	Rated	W/W	3.35	2.92	2.61	2.75	2.80	2.75	2.72	2.39		
Heating	Capacity	Rated	kW	7.35	8.70	10.50	13.50	13.30	16.59	16.50	18.00	
		Range(Min~Max)	kW	2.20~8.70	3.00~9.20	3.32~12.00	3.00~14.60	3.00~14.60	3.60~18.00	3.60~18.00	3.00~19.00	
	Input	Rated	kW	2.07	2.30	3.65	4.17	4.04	4.85	5.40	6.83	
		Range(Min~Max)	kW	0.33~4.10	0.66~4.10	0.60~5.10	0.69~6.40	0.69~6.40	0.79~7.00	0.79~7.00	1.36~7.80	
	Current	Rated	A	9.70	10.00	16.50	7.30	17.60	9.00	23.50	11.60	
	COP	Rated	W/W	3.55	3.78	2.88	3.24	3.29	3.42	3.06	2.64	

2. SPECIFICATIONS

Indoor model			RPFC-3.0UFE1NH	RPFC-3.5UFE1NH	RPFC-4.0UFE1NH	RPFC-5.0UFE1NH	RPFC-5.0UFE1NH	RPFC-6.0UFE1NH	RPFC-6.0UFE1NH	RPFC-6.5UFE1NH	
Outdoor model			RAS-3.0UFESNH1	RAS-3.5UFESNH1	RAS-4.0UFESNH1	RAS-5.0UFESMH1	RAS-5.0UFESNH1	RAS-6.0UFESMH1	RAS-6.0UFESNH1	RAS-6.5UFESMH1	
Indoor fan motor	Model	-	SIC-70CW-F11 00-6	SIC-70CW-F11 40-3	SIC-70CW-F11 40-3	SIC-101CW-F1 181-2	SIC-101CW-F1 181-2	SIC-101CW-F1 181-1	SIC-101CW-F1 181-1	SIC-101CW-F1 181-1	
	Qty	-	1	1	1	1	1	1	1	1	
	Output	W	100	140	140	181	181	181	181	181	
	Speed(Hi/Med/Lo)	r/min	1150/1030/910	1150/930/800	1220/1160/1080	1200/1100/1000	1200/1100/1000	1250/1000/800	1250/1000/800	1250/1100/950	
Indoor coil	Number of rows	-	3	3	3	3	3	3	3	3	
	Tube pitch(a) × Row pitch(b)	mm	21×13.6	21×13.6	21×13.6	21×13.6	21×13.6	21×13.6	21×13.6	21×13.6	
	Fin spacing	mm	1.5	1.5	1.5	1.5	1.5	1.5	1.5	1.5	
	Fin type	-	Hydrophilic aluminium	Hydrophilic aluminium	Hydrophilic aluminium	Hydrophilic aluminium	Hydrophilic aluminium	Hydrophilic aluminium	Hydrophilic aluminium	Hydrophilic aluminium	
	Tube outside diameter and type	mm	Φ7, Innergroove tube	Φ7, Innergroove tube	Φ7, Innergroove tube	Φ7, Innergroove tube	Φ7, Innergroove tube	Φ7, Innergroove tube	Φ7, Innergroove tube	Φ7, Innergroove tube	
	Coil (Length× Height ×Width)	mm	660×336×40.8	930×336×40.8	930×336×40.8	1200×336×40.8	1200×336×40.8	1200×336×40.8	1200×336×40.8	1200×336×54.4	
	Number of circuits	-	6	4	4	7	7	7	7	7	
Indoor unit	Dimension	W× H×D	mm	990×680×230	1285×680×230	1285×680×230	1580×680×230	1580×680×230	1580×680×230	1580×680×230	
	Packing	W× H×D	mm	1100×820×350	1400×820×350	1400×820×350	1690×820×350	1690×820×350	1690×820×350	1690×820×350	
	Weight	Net/Gross	kg	30.0/35.0	37.0/44.0	37.0/44.0	48.0/56.0	48.0/56.0	48.0/56.0	48.0/56.0	
	Air Volume	Hi/Med/Lo	m ³ /h	1100/950/800	1450/1120/900	1700/1500/1300	2000/1800/1600	2000/1800/1600	2000/1600/1200	2000/1600/1200	2000/1700/1500
		Hi/Med/Lo	CFM	647/559/471	853/659/529	1000/882/765	1176/1059/941	1176/1059/941	1176/941/706	1176/941/706	1176/941/706
	Sound Level (SPL)	Hi/Med/Lo	dB(A)	51/48/44	54/48/43	54/52/51	54/51/48	54/51/48	58/52/46	58/52/46	56/53/48
	Sound Level (PWL)	Hi	dB(A)	65	65	65	68	68	75	75	74
	External Static Pressure	Rated	Pa	-	-	-	-	-	-	-	-
		Range	Pa	-	-	-	-	-	-	-	-
	Controller	Type	-	Wireless	Wireless	Wireless	Wireless	Wireless	Wireless	Wireless	Wireless
		Model	-	HCRA31NEWH	HCRA31NEWH	HCRA31NEWH	HCRA31NEWH	HCRA31NEWH	HCRA31NEWH	HCRA31NEWH	HCRA31NEWH
	Drainage water pipe diameter	mm	mm	ODΦ25	ODΦ25	ODΦ25	ODΦ25	ODΦ25	ODΦ25	ODΦ25	ODΦ25
	Drain pump	-	-	Optional	Optional	Optional	Optional	Optional	Optional	Optional	Optional
	Air filter	-	-	Standard	Standard	Standard	Standard	Standard	Standard	Standard	Standard
Qty/per 20' /40' /40'HQ	-	-	84/168/196	66/132/153	66/132/153	42/84/98	42/84/98	42/84/98	42/84/98	42/84/98	
Design	H/L	MPa	4.3/1.6	4.3/1.6	4.3/1.6	4.3/1.6	4.3/1.6	4.3/1.6	4.3/1.6	4.3/1.6	
Room temperature	Setting Temperature Range	Cooling	°C	16~30	16~30	16~30	16~30	16~30	16~30	16~30	
		Heating	°C	16~30	16~30	16~30	16~30	16~30	16~30	16~30	

2. SPECIFICATIONS

Indoor model			RPFC-3.0UFE1NH	RPFC-3.5UFE1NH	RPFC-4.0UFE1NH	RPFC-5.0UFE1NH	RPFC-5.0UFE1NH	RPFC-6.0UFE1NH	RPFC-6.0UFE1NH	RPFC-6.5UFE1NH	
Outdoor model			RAS-3.0UFESNH1	RAS-3.5UFESNH1	RAS-4.0UFESNH1	RAS-5.0UFESMH1	RAS-5.0UFESNH1	RAS-6.0UFESMH1	RAS-6.0UFESNH1	RAS-6.5UFESMH1	
Compressor	Model	-	KTM240D57UM T	KTM240D57UM T	KTF310D43UM T	KTF310D43UM T	KTF310D43UM T	KTF400D64UM T	KTF400D64UM T	KTQ420D1UMU	
	Type	-	ROTARY	ROTARY	ROTARY	ROTARY	ROTARY	ROTARY	ROTARY	ROTARY	
	Brand	-	GMCC	GMCC	GMCC	GMCC	GMCC	GMCC	GMCC	GMCC	
	Capacity	Btu/h	24361	26331	34154	34154	34154	34470	34470	46755	
	Input	W	1940	2085	2765	2765	2765	3155	3155	3700	
	Rated current(RLA)	A	9.45	9.45	5.38	5.38	5.38	13.20	13.20	7.02	
	Refrigerant oil	Model	-	POE VG74	POE VG74	POE VG74	POE VG74	POE VG74	POE VG74	POE VG74	POE VG74
Amount		ml	670	670	1000	1000	1000	1000	1000	1400	
Outdoor fan motor	Model	-	SIC-61FW-F161 -1	SIC-61FW-F161 -1	SIC-71FW-F812 1-1	SIC-81FW-F113 8-1	SIC-81FW-F113 8-1	SIC-71FW-D81 21-1 &SIC-71FW-D8 121-2	SIC-71FW-D81 21-1 &SIC-71FW-D8 121-2	SIC-71FW-D81 21-1 &SIC-71FW-D8 121-2	
	Qty	-	1	1	1	1	1	2	2	2	
	Output	W	61	61	121	138	138	121	121	121	
	Speed	r/min	880	880	830	810	810	810	810	810	
Outdoor coil	Number of rows	-	2	2	2	2	2	2	2	2	
	Tube pitch(a) x Row pitch(b)	mm	21×21.65	21×21.65	21×21.65	21×21.65	21×21.65	21×21.65	21×21.65	21×21.65	
	Fin spacing	mm	1.4	1.4	1.3	1.6	1.6	1.4	1.4	1.4	
	Fin type	-	Hydrophilic aluminium	Hydrophilic aluminium	Hydrophilic aluminium	Hydrophilic aluminium	Hydrophilic aluminium	Hydrophilic aluminium	Hydrophilic aluminium	Hydrophilic aluminium	Hydrophilic aluminium
	Tube outside diameter and type	mm	Φ7.94, Innergroove tube	Φ7.94, Innergroove tube	Φ7.94, Innergroove tube	Φ7.94, Innergroove tube	Φ7.94, Innergroove tube	Φ7.94, Innergroove tube	Φ7.94, Innergroove tube	Φ7.94, Innergroove tube	
	Coil (Length x Height x Width)	mm	900×630×43.3	900×630×43.3	970×798×43.3	970×1008×43.3	970×1008×43.3	970×1344×43.3	970×1344×43.3	970×1344×43.3	
	Number of circuits	-	6	6	5	6	6	12	12	12	
Outdoor unit	Dimension	W×H×D	mm	860×670×310	860×670×310	950×840×340	950×1050×340	950×1050×340	950×1386×340	950×1386×340	950×1386×340
	Packing	W×H×D	mm	990×730×450	990×730×450	1110×920×460	1110×1200×460	1110×1200×460	1110×1530×460	1110×1530×460	1110×1530×460
	Weight	Net/Gross	kg	49.0/53.0	49.0/53.0	70.0/75.0	85.0/95.0	85.0/97.0	101.5/114.5	101.5/114.5	109.0/121.0
	Air Volume	Hi	m ³ /h	3150	3150	3800	5800	5800	6300	6300	6300
	Sound Level	Hi	dB(A)	54	54	58	62	62	62	62	67
	Sound Level	Hi	dB(A)	69	70	70	76	76	76	76	80
	Refrigerant	Type	-	R32	R32	R32	R32	R32	R32	R32	R32
		Amount	kg	1.40	1.45	2.00	2.50	2.50	3.00	3.00	3.40

2. SPECIFICATIONS

Indoor model			RPFC-3.0UFE1NH	RPFC-3.5UFE1NH	RPFC-4.0UFE1NH	RPFC-5.0UFE1NH	RPFC-5.0UFE1NH	RPFC-6.0UFE1NH	RPFC-6.0UFE1NH	RPFC-6.5UFE1NH		
Outdoor model			RAS-3.0UFESNH1	RAS-3.5UFESNH1	RAS-4.0UFESNH1	RAS-5.0UFESMH1	RAS-5.0UFESNH1	RAS-6.0UFESMH1	RAS-6.0UFESNH1	RAS-6.5UFESMH1		
Outdoor unit	Refrigerant	TCO2Eq	-	0.95	0.98	1.35	1.688	1.688	2.03	2.03	2.30	
		GWP	-	675	675	675	675	675	675	675	675	
	Throttle type		-	EEV	EEV	EEV	EEV	EEV	EEV	EEV	EEV	
	Qty'per 20' /40' /40'HQ		-	90/186/186	90/186/186	52/106/106	26/53/106	26/53/106	26/53/53	26/53/53	26/53/53	
	Design	H/L	MPa	4.3/1.6	4.3/1.6	4.3/1.6	4.3/1.6	4.3/1.6	4.3/1.6	4.3/1.6	4.3/1.6	
Refrigerant piping	Liquid/ Gas		Mm (inch)	Φ9.52/Φ15.88 (3/8'/5/8')	Φ9.52/Φ15.88 (3/8'/5/8')	Φ9.52/Φ19.05 (3/8'/3/4')	Φ9.52/Φ19.05 (3/8'/3/4')	Φ9.52/Φ19.05 (3/8'/3/4')	Φ9.52/Φ19.05 (3/8'/3/4')	Φ9.52/Φ19.05 (3/8'/3/4')	Φ9.52/Φ19.05 (3/8'/3/4')	
	Pipe length	Max.	m	50	50	50	50	50	50	50	50	
	Height difference	Max. (OD lower)	m	30	30	30	30	30	30	30	30	30
		Max. (OD higher)	m	30	30	30	30	30	30	30	30	30
	Add Refrigerant Amount		g/m	28	28	28	28	28	28	28	28	28
Pipe Length for Additional		m	5	5	5	5	5	5	5	5	5	
Ambient Temperature Range	Cooling	°C	-15~48	-15~48	-15~48	-15~48	-15~48	-15~48	-15~48	-15~48	-15~48	
	Heating	°C	-15~24	-15~24	-15~24	-15~24	-15~24	-15~24	-15~24	-15~24	-15~24	

NOTE:

1. Capacity and seasonal performance date (SEER/SCOP) are based on EN14511 and EN14825.

Test conditions:

Cooling: Indoor: DB27°C/ WB19°C Outdoor: DB35°C/ WB24°C

Heating: Indoor: DB20°C/ WB15°C Outdoor: DB7°C/ WB 6°C

2. The Sound Pressure Level is based on the following conditions:

Outdoor unit:

Measure the noise value of 3 points, which are 1 meter in front of the three sides of the unit surface (front/left/right) and 1/2(unit height +1) meter high from floor level, and calculate the weighted average of the noise.

Indoor unit:

Floor ceiling:

Test the noise value of the point 1.0m below the unit, 1.0m ahead of the unit and 1.0m high from the ground.

3. The above data was measured in an anechoic chamber. Please take into consideration the reflected sound of your specific application environment.

4. All specifications are subject to change by the manufacturer without prior notice.

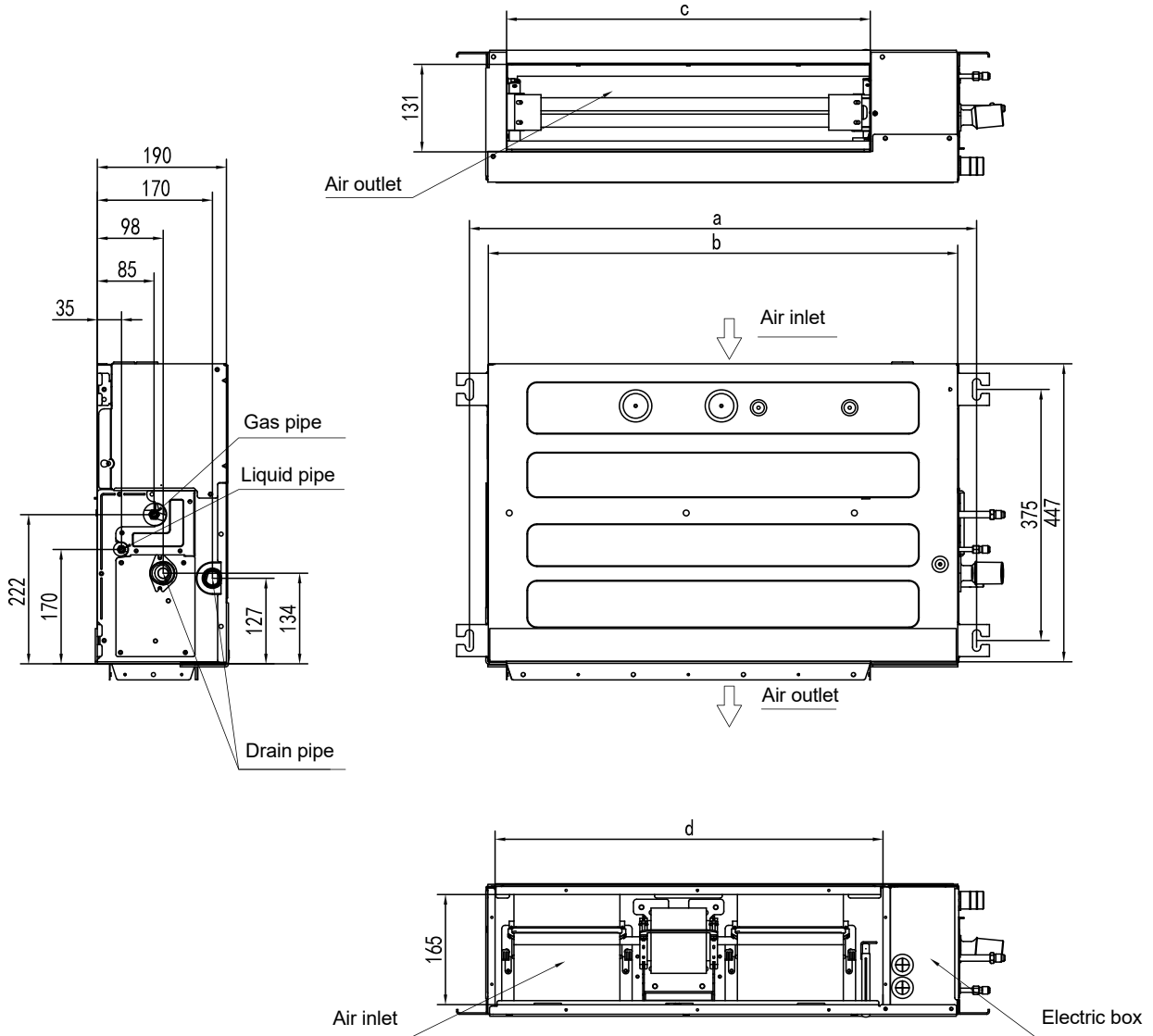
3. OUTLINES AND DIMENSIONS

3.1 Indoor units

Ducted

3.0HP

Unit: mm

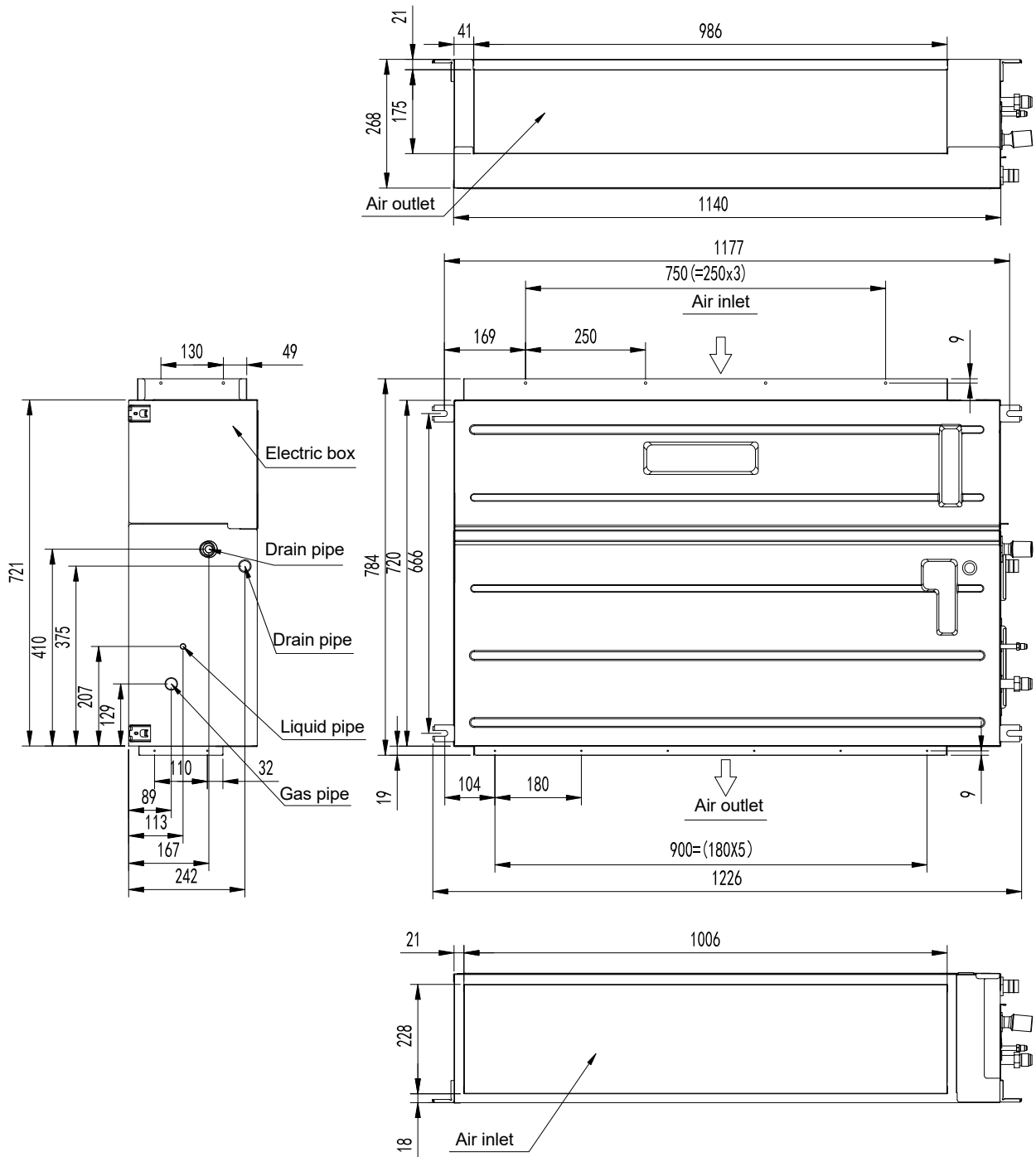


Model	a	b	c	d
3.0HP	1231	1180	1019	1056

3. OUTLINES AND DIMENSIONS

3.5/4.0HP

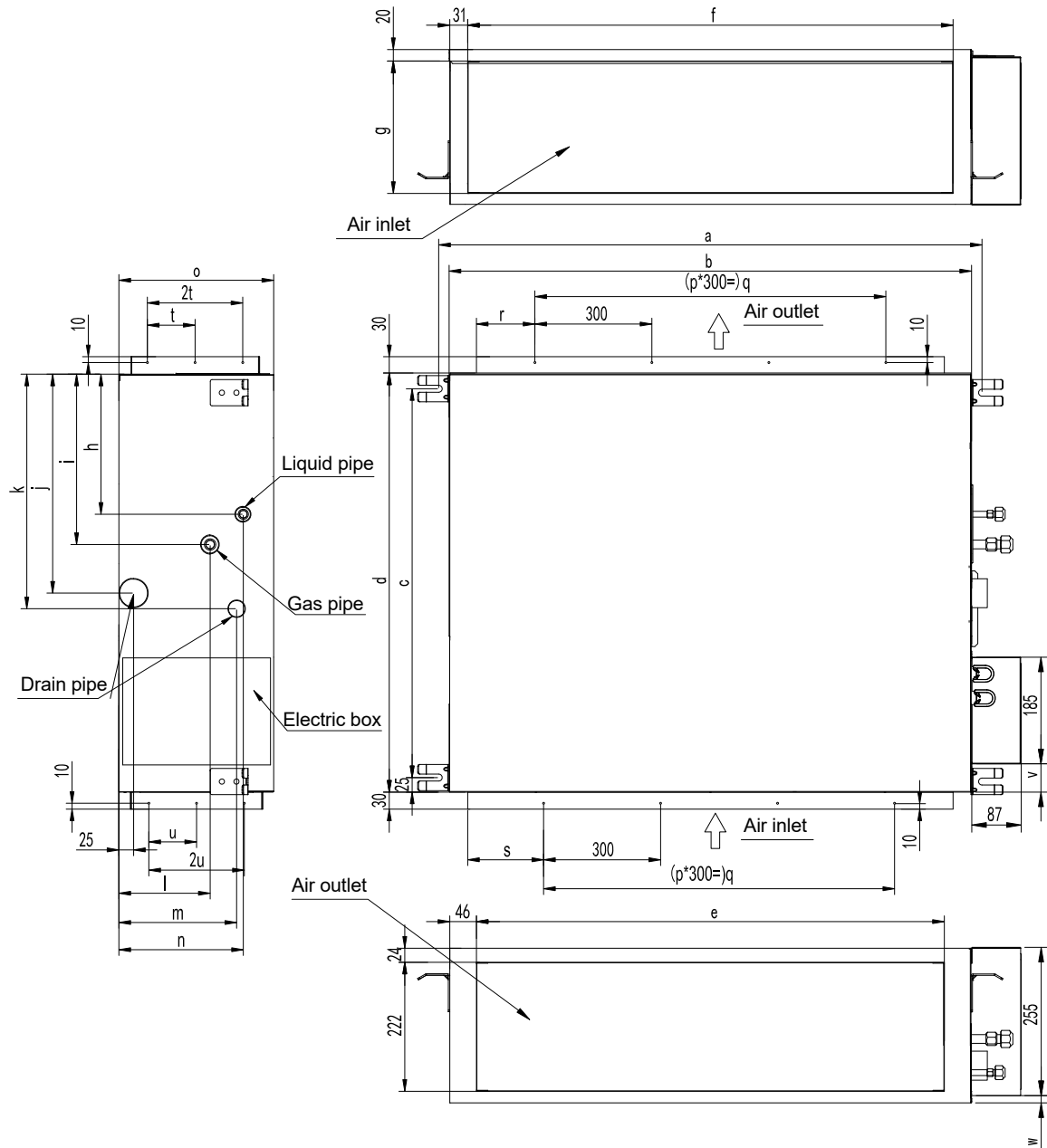
Unit: mm



3. OUTLINES AND DIMENSIONS

5.0/6.0/6.5HP

Unit: mm

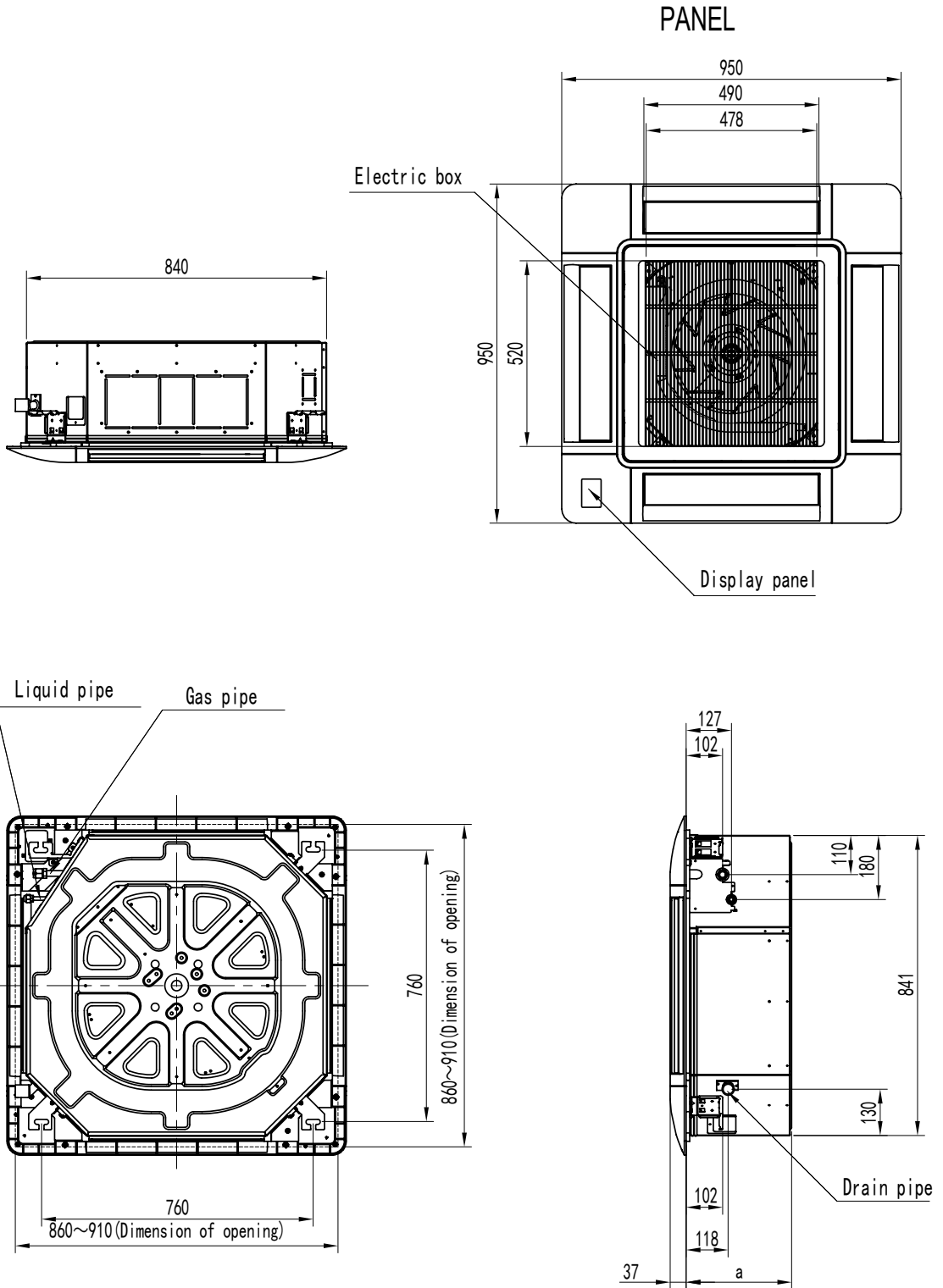


Model	a	b	c	d	e	f	g	h	i	j	k	l	m	n	o	p	q	r	s	t	u	v	w
5.0/6.0/ 6.5HP	1334	1300	756	800	1205	1235	308	237	312	375	400	204	186	242	350	3	900	153	168	90	140	110	49

3. OUTLINES AND DIMENSIONS

Cassette

Unit: mm

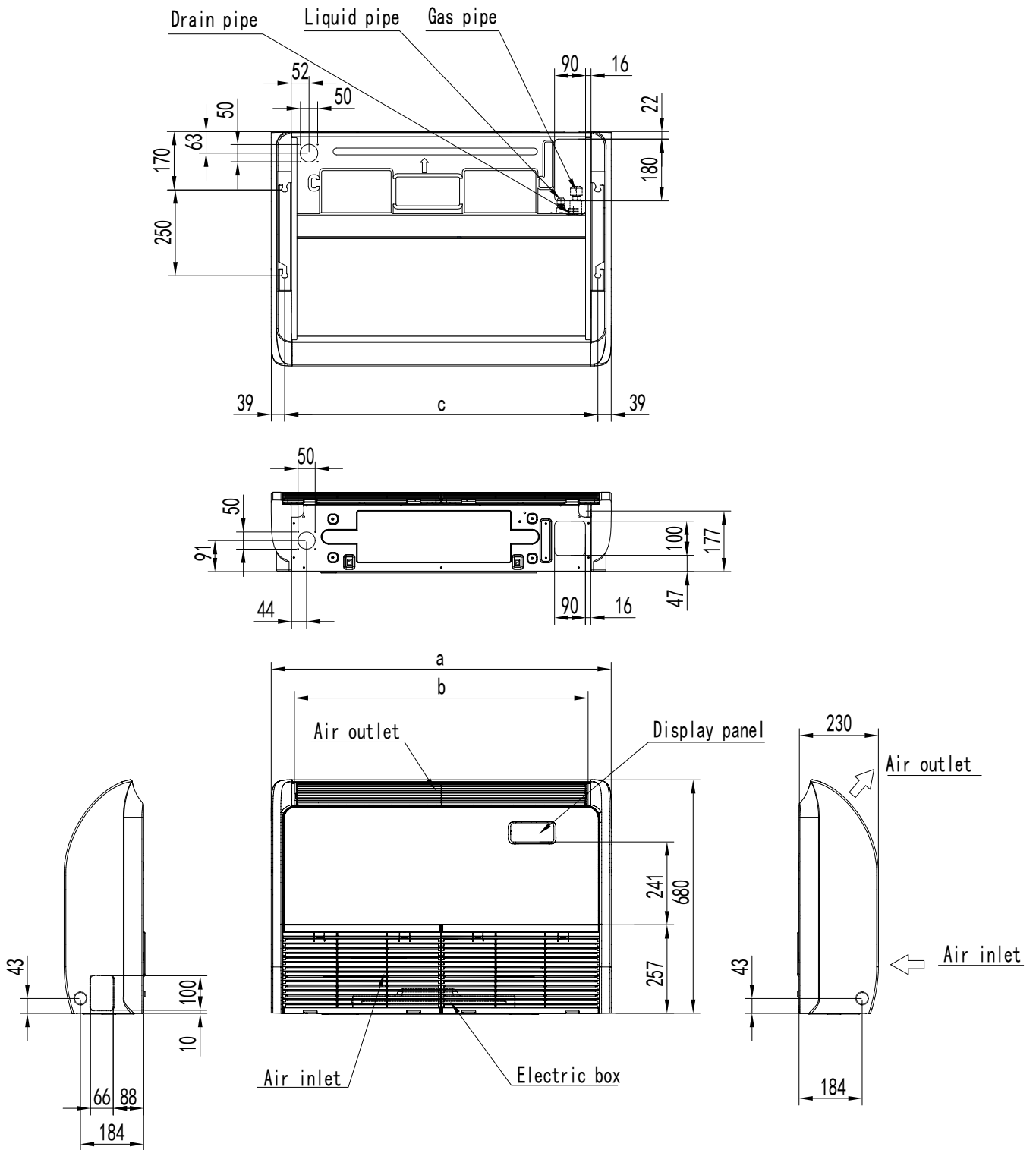


Model	a
3.0/3.5/4.0HP	248
5.0/6.0/6.5HP	298

3. OUTLINES AND DIMENSIONS

Floor ceiling

Unit: mm



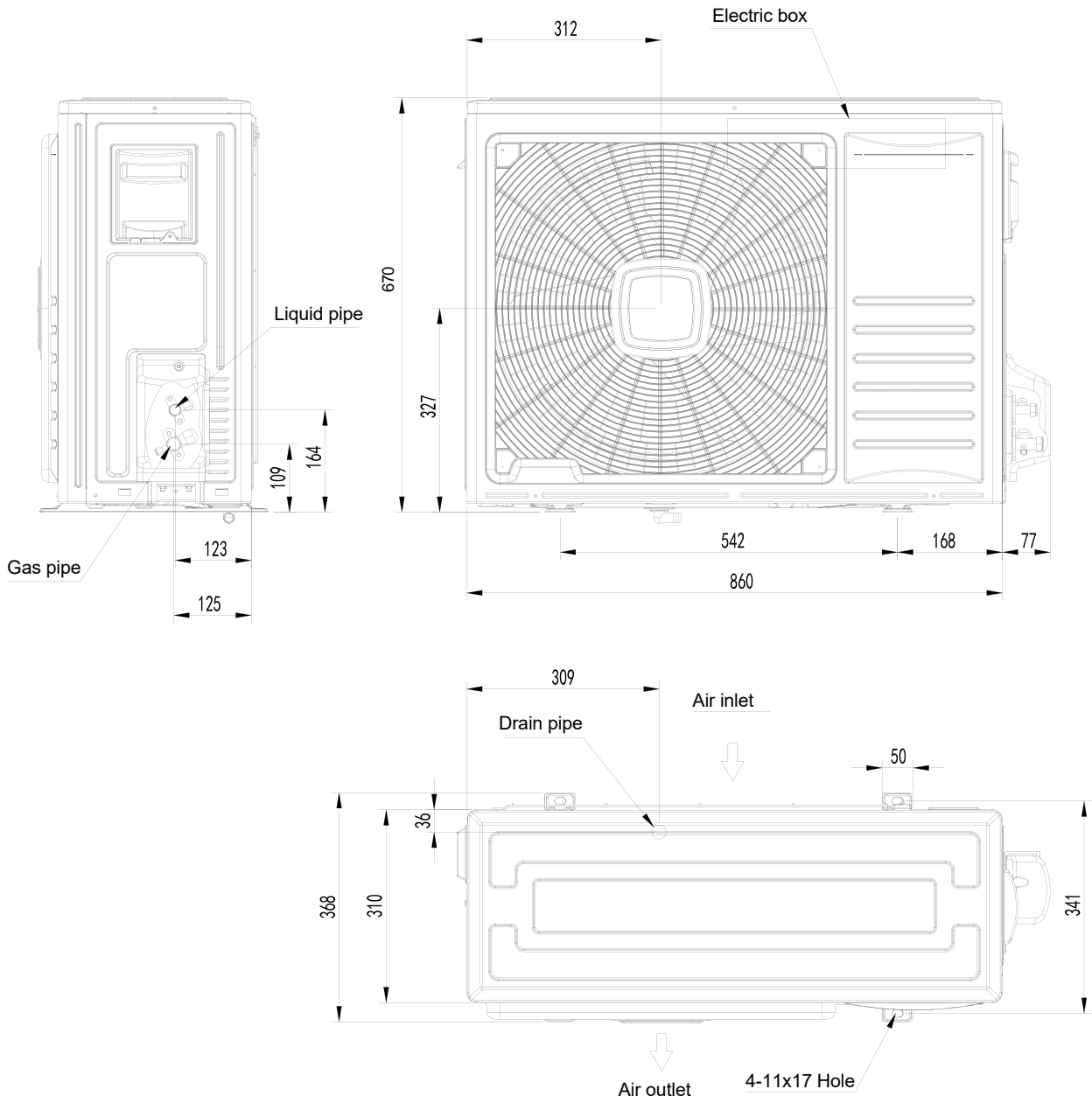
Model	a	b	c
3.0HP	990	855	912
3.5/4.0HP	1285	1150	1207
5.0/6.0/6.5HP	1580	1445	1502

3. OUTLINES AND DIMENSIONS

3.2 Outdoor units

3.0/3.5HP

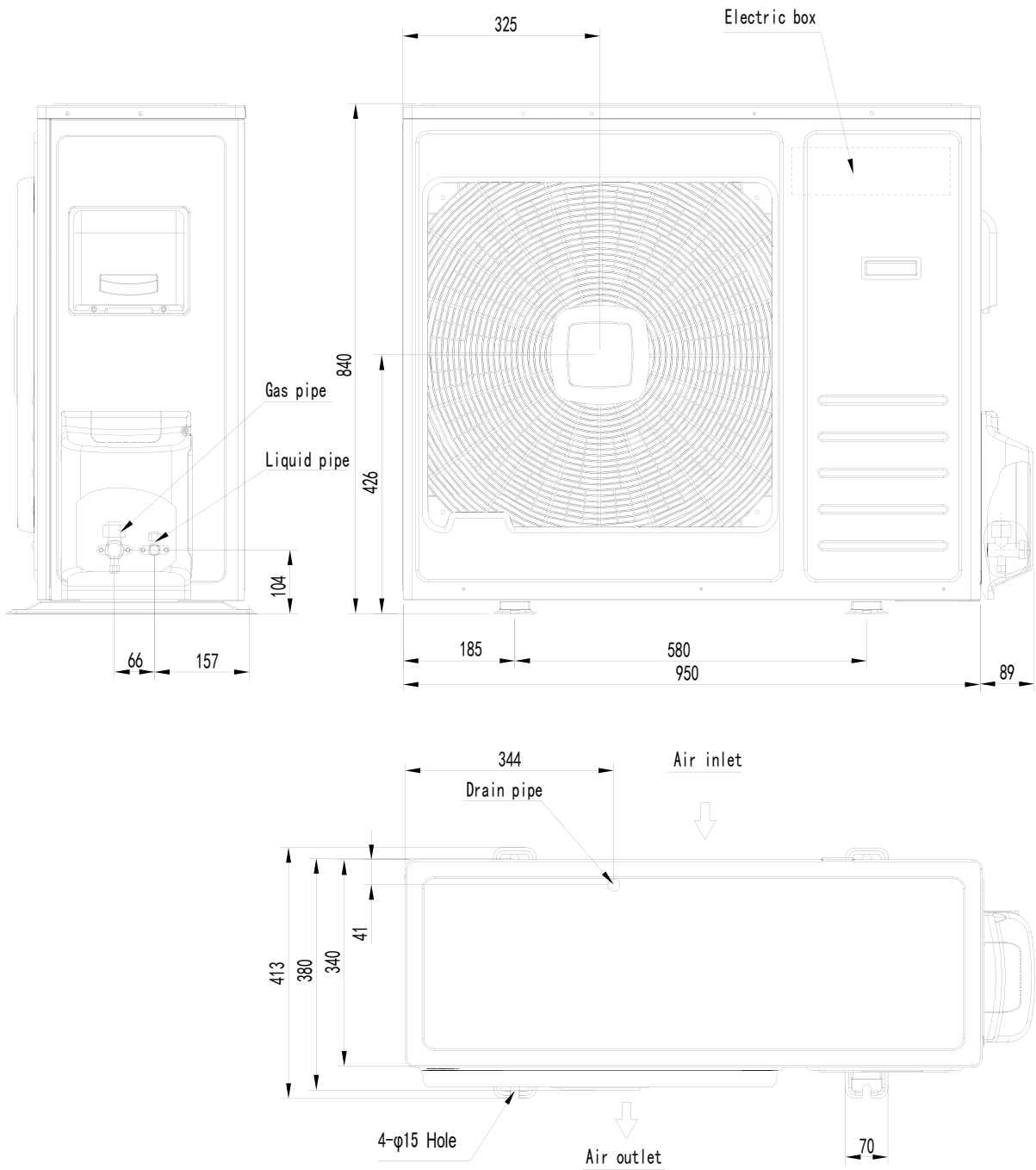
Unit: mm



3. OUTLINES AND DIMENSIONS

4.0HP

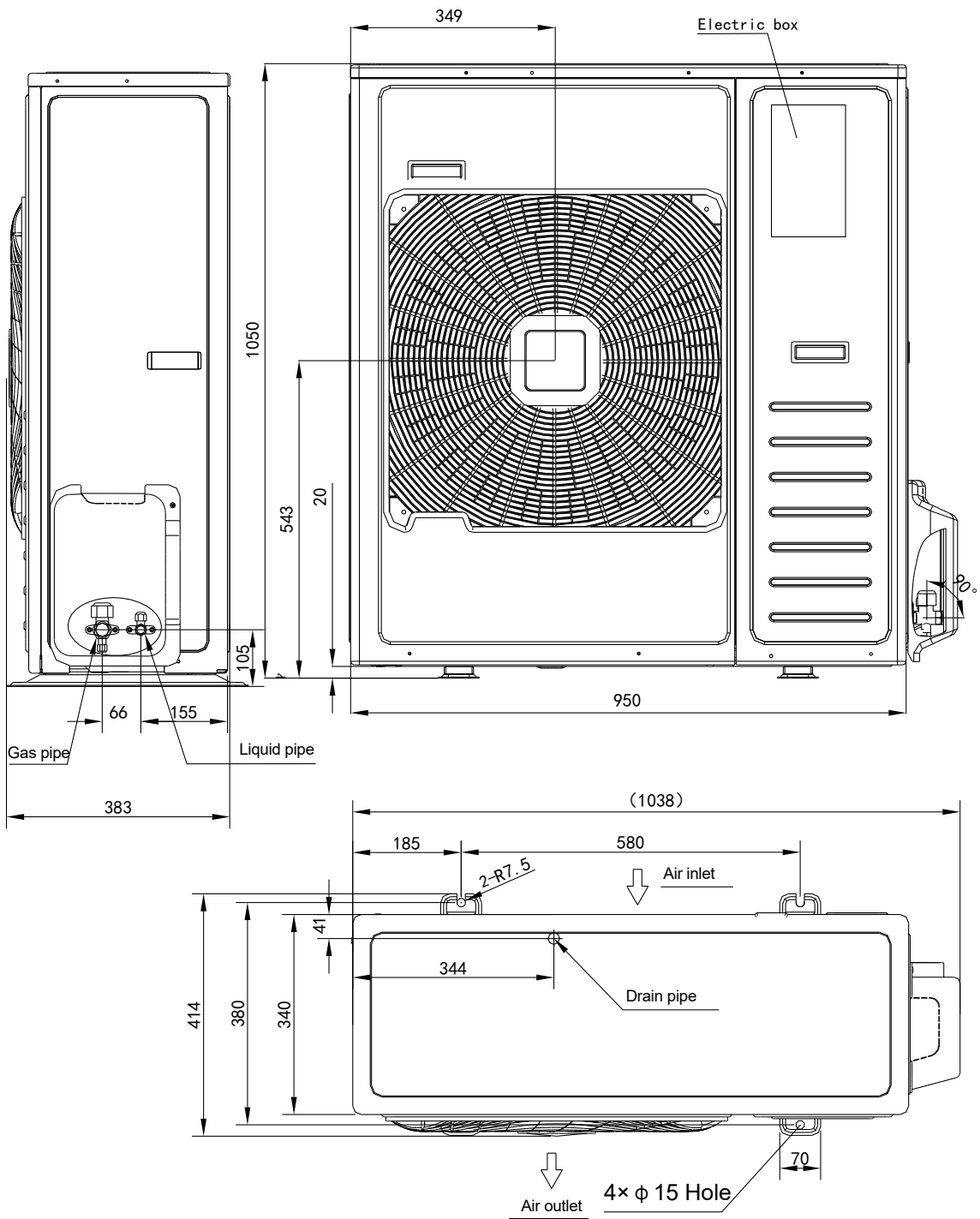
Unit: mm



3. OUTLINES AND DIMENSIONS

5.0HP

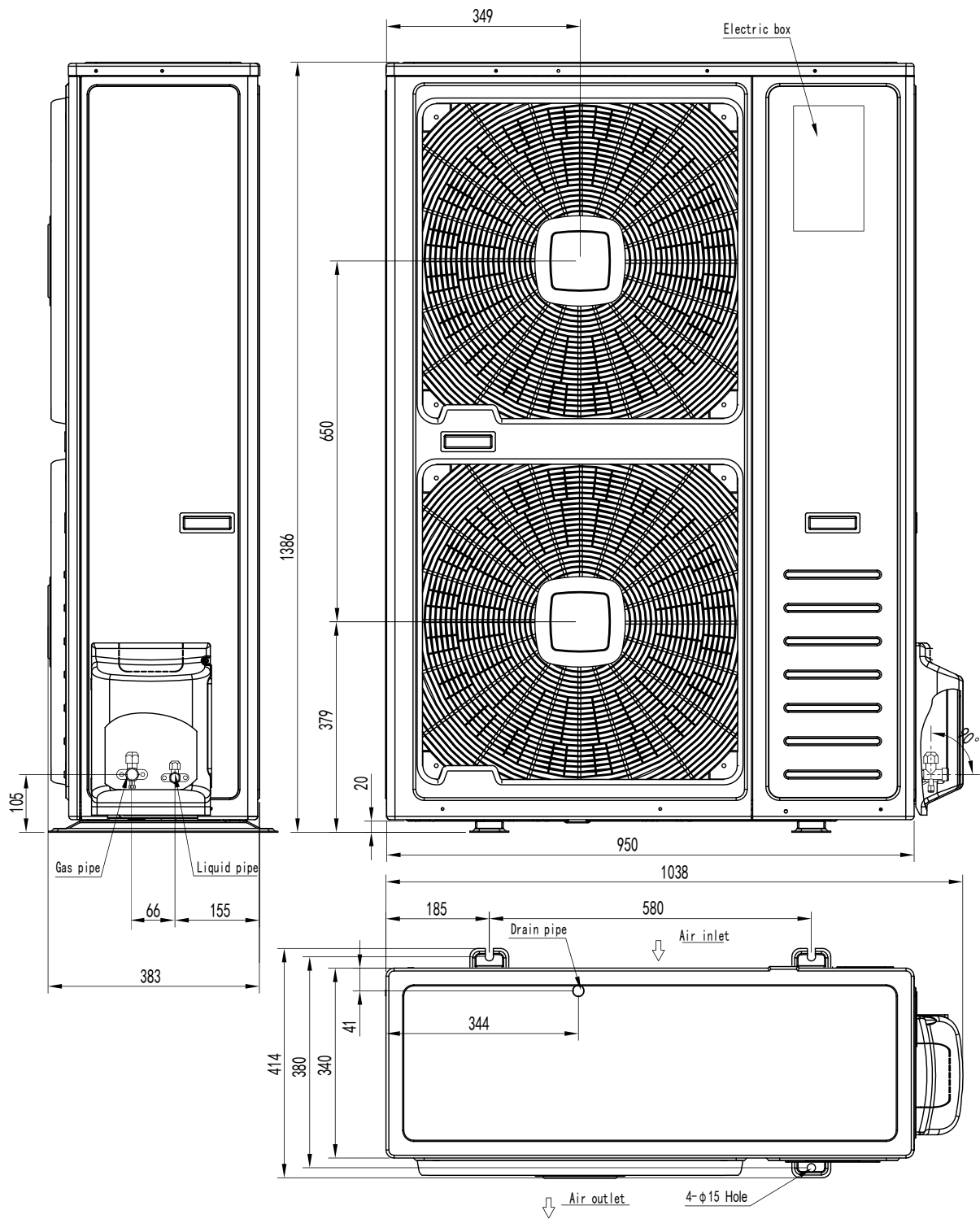
Unit: mm



3. OUTLINES AND DIMENSIONS

6.0/6.5HP

Unit: mm



4. ELECTRICAL DATA

Electrical data

Outdoor unit	Power supply			Applicable voltage		ELB	
	Voltage (V)	PH	Frequency (Hz)	Umin (V)	Umax (V)	Nominal current (A)	Nominal sensitive current (mA)
RAS-3.0UFESNH1	220-240	1	50	176	264	25	30
RAS-3.5UFESNH1	220-240	1	50	176	264	25	30
RAS-4.0UFESNH1	220-240	1	50	176	264	40	30
RAS-5.0UFESNH1	220-240	1	50	176	264	50	30
RAS-6.0UFESNH1	220-240	1	50	176	264	50	30
RAS-5.0UFESMH1	380-415	3	50	342	438	32	30
RAS-6.0UFESMH1	380-415	3	50	342	438	32	30
RAS-6.5UFESMH1	380-415	3	50	342	438	32	30

NOTE:

1. The above compressor data is based on 100% capacity combination of indoor units at the rated operating frequency.
2. This data is based on the same conditions as the nominal heating and cooling capacities.
3. The compressor is started by an inverter, resulting in extremely low starting current.

5. CAPACITIES AND SELECTION DATA

5.1 Capacity characteristic charts

The following charts show the characteristics of outdoor unit capacity, which corresponds with the operating ambient temperature of outdoor unit.

Conditions:

- ① Pipe length/height difference : 5m / 0m
- ② Compressor at rated inverter frequency
- ③ Indoor fan speed at high fan speed
- ④ Capacity loss due to white frost and defrost operation is not included.

5. CAPACITIES AND SELECTION DATA

Ducted

PERFORMANCE DATA (Cooling Operation at Rated Frequency)																													
RPIL-3.0UFE1NH+RAS-3.0UFESNH1																													
CAPACITY: 6.90 kW SHF: 0.70 INPUT: 2160 W																													
INDOOR INDOOR DB (°C) WB(°C)		OUTDOOR DB (°C)																											
		21				25				27				30				35				40				46			
		Q	SHC	SHF	INPUT	Q	SHC	SHF	INPUT	Q	SHC	SHF	INPUT	Q	SHC	SHF	INPUT	Q	SHC	SHF	INPUT	Q	SHC	SHF	INPUT	Q	SHC	SHF	INPUT
21	18	8.10	4.70	0.58	1747	7.75	4.50	0.58	1837	7.45	4.32	0.58	1921	7.17	4.16	0.58	2009	6.76	3.92	0.58	2140	6.21	3.60	0.58	2273	5.74	3.33	0.58	2359
21	20	8.51	3.92	0.46	1779	8.15	3.75	0.46	1871	7.83	3.60	0.46	1957	7.53	3.47	0.46	2047	7.11	3.27	0.46	2180	6.52	3.00	0.46	2315	6.03	2.78	0.46	2403
22	18	8.10	5.02	0.62	1747	7.75	4.81	0.62	1837	7.45	4.62	0.62	1921	7.17	4.44	0.62	2009	6.76	4.19	0.62	2140	6.21	3.85	0.62	2273	5.74	3.56	0.62	2359
22	20	8.51	4.26	0.50	1779	8.15	4.07	0.50	1871	7.83	3.92	0.50	1957	7.53	3.77	0.50	2047	7.11	3.55	0.50	2180	6.52	3.26	0.50	2315	6.03	3.02	0.50	2403
22	22	9.03	3.43	0.38	1811	8.64	3.28	0.38	1904	8.30	3.16	0.38	1992	7.99	3.03	0.38	2084	7.53	2.86	0.38	2219	6.92	2.63	0.38	2357	6.40	2.43	0.38	2446
23	18	8.10	5.35	0.66	1747	7.75	5.12	0.66	1837	7.45	4.92	0.66	1921	7.17	4.73	0.66	2009	6.76	4.46	0.66	2140	6.21	4.10	0.66	2273	5.74	3.79	0.66	2359
23	20	8.51	4.60	0.54	1779	8.15	4.40	0.54	1871	7.83	4.23	0.54	1957	7.53	4.07	0.54	2047	7.11	3.84	0.54	2180	6.52	3.52	0.54	2315	6.03	3.26	0.54	2403
23	22	9.03	3.79	0.42	1811	8.64	3.63	0.42	1904	8.30	3.49	0.42	1992	7.99	3.35	0.42	2084	7.53	3.16	0.42	2219	6.92	2.90	0.42	2357	6.40	2.69	0.42	2446
24	18	8.10	5.67	0.70	1747	7.75	5.43	0.70	1837	7.45	5.22	0.70	1921	7.17	5.02	0.70	2009	6.76	4.73	0.70	2140	6.21	4.35	0.70	2273	5.74	4.02	0.70	2359
24	20	8.51	4.94	0.58	1779	8.15	4.73	0.58	1871	7.83	4.54	0.58	1957	7.53	4.37	0.58	2047	7.11	4.12	0.58	2180	6.52	3.78	0.58	2315	6.03	3.50	0.58	2403
24	22	9.03	4.15	0.46	1811	8.64	3.97	0.46	1904	8.30	3.82	0.46	1992	7.99	3.67	0.46	2084	7.53	3.47	0.46	2219	6.92	3.18	0.46	2357	6.40	2.94	0.46	2446
24	24	9.57	3.25	0.34	1844	9.16	3.11	0.34	1939	8.80	2.99	0.34	2028	8.46	2.88	0.34	2121	7.99	2.72	0.34	2259	7.33	2.49	0.34	2399	6.78	2.31	0.34	2490
25	18	8.10	6.00	0.74	1747	7.75	5.74	0.74	1837	7.45	5.52	0.74	1921	7.17	5.30	0.74	2009	6.76	5.00	0.74	2140	6.21	4.59	0.74	2273	5.74	4.25	0.74	2359
25	20	8.51	5.28	0.62	1779	8.15	5.05	0.62	1871	7.83	4.86	0.62	1957	7.53	4.67	0.62	2047	7.11	4.41	0.62	2180	6.52	4.05	0.62	2315	6.03	3.74	0.62	2403
25	22	9.03	4.51	0.50	1811	8.64	4.32	0.50	1904	8.30	4.15	0.50	1992	7.99	3.99	0.50	2084	7.53	3.77	0.50	2219	6.92	3.46	0.50	2357	6.40	3.20	0.50	2446
25	24	9.57	3.64	0.38	1844	9.16	3.48	0.38	1939	8.80	3.35	0.38	2028	8.46	3.22	0.38	2121	7.99	3.03	0.38	2259	7.33	2.79	0.38	2399	6.78	2.58	0.38	2490
26	18	8.10	6.32	0.78	1747	7.75	6.05	0.78	1837	7.45	5.81	0.78	1921	7.17	5.59	0.78	2009	6.76	5.27	0.78	2140	6.21	4.84	0.78	2273	5.74	4.48	0.78	2359
26	20	8.51	5.62	0.66	1779	8.15	5.38	0.66	1871	7.83	5.17	0.66	1957	7.53	4.97	0.66	2047	7.11	4.69	0.66	2180	6.52	4.31	0.66	2315	6.03	3.98	0.66	2403
26	22	9.03	4.87	0.54	1811	8.64	4.66	0.54	1904	8.30	4.48	0.54	1992	7.99	4.31	0.54	2084	7.53	4.07	0.54	2219	6.92	3.73	0.54	2357	6.40	3.45	0.54	2446
26	24	9.57	4.02	0.42	1844	9.16	3.85	0.42	1939	8.80	3.70	0.42	2028	8.46	3.56	0.42	2121	7.99	3.35	0.42	2259	7.33	3.08	0.42	2399	6.78	2.85	0.42	2490
26	26	10.05	3.01	0.30	1876	9.61	2.88	0.30	1973	9.24	2.77	0.30	2064	8.89	2.67	0.30	2159	8.38	2.52	0.30	2299	7.70	2.31	0.30	2442	7.12	2.14	0.30	2534
27	18	8.10	6.64	0.82	1747	7.75	6.36	0.82	1837	7.45	6.11	0.82	1921	7.17	5.88	0.82	2009	6.76	5.54	0.82	2140	6.21	5.09	0.82	2273	5.74	4.71	0.82	2359
27	19	8.27	6.28	0.76	1763	7.91	6.01	0.76	1854	7.61	5.78	0.76	1939	7.31	5.56	0.76	2028	6.90	5.24	0.76	2160	6.33	4.81	0.76	2294	5.86	4.45	0.76	2381
27	20	8.51	5.96	0.70	1779	8.15	5.70	0.70	1871	7.83	5.48	0.70	1957	7.53	5.27	0.70	2047	7.11	4.97	0.70	2180	6.52	4.57	0.70	2315	6.03	4.22	0.70	2403
27	22	9.03	5.23	0.58	1811	8.64	5.01	0.58	1904	8.30	4.82	0.58	1992	7.99	4.63	0.58	2084	7.53	4.37	0.58	2219	6.92	4.01	0.58	2357	6.40	3.71	0.58	2446
27	24	9.57	4.40	0.46	1844	9.16	4.21	0.46	1939	8.80	4.05	0.46	2028	8.46	3.89	0.46	2121	7.99	3.67	0.46	2259	7.33	3.37	0.46	2399	6.78	3.12	0.46	2490
27	26	10.05	3.42	0.34	1876	9.61	3.27	0.34	1973	9.24	3.14	0.34	2064	8.89	3.02	0.34	2159	8.38	2.85	0.34	2299	7.70	2.62	0.34	2442	7.12	2.42	0.34	2534
28	18	8.10	6.97	0.86	1747	7.75	6.67	0.86	1837	7.45	6.41	0.86	1921	7.17	6.16	0.86	2009	6.76	5.82	0.86	2140	6.21	5.34	0.86	2273	5.74	4.94	0.86	2359
28	20	8.51	6.30	0.74	1779	8.15	6.03	0.74	1871	7.83	5.80	0.74	1957	7.53	5.57	0.74	2047	7.11	5.26	0.74	2180	6.52	4.83	0.74	2315	6.03	4.47	0.74	2403

5. CAPACITIES AND SELECTION DATA

PERFORMANCE DATA (Cooling Operation at Rated Frequency)																													
RPIL-3.0UFE1NH+RAS-3.0UFESNH1																													
CAPACITY: 6.90 kW SHF: 0.70 INPUT: 2160 W																													
INDOOR INDOOR DB (°C) WB(°C)		OUTDOOR DB (°C)																											
		21				25				27				30				35				40				46			
		Q	SHC	SHF	INPUT	Q	SHC	SHF	INPUT	Q	SHC	SHF	INPUT	Q	SHC	SHF	INPUT	Q	SHC	SHF	INPUT	Q	SHC	SHF	INPUT	Q	SHC	SHF	INPUT
28	22	9.03	5.60	0.62	1811	8.64	5.35	0.62	1904	8.30	5.15	0.62	1992	7.99	4.95	0.62	2084	7.53	4.67	0.62	2219	6.92	4.29	0.62	2357	6.40	3.97	0.62	2446
28	24	9.57	4.78	0.50	1844	9.16	4.58	0.50	1939	8.80	4.40	0.50	2028	8.46	4.23	0.50	2121	7.99	3.99	0.50	2259	7.33	3.67	0.50	2399	6.78	3.39	0.50	2490
28	26	10.05	3.82	0.38	1876	9.61	3.65	0.38	1973	9.24	3.51	0.38	2064	8.89	3.38	0.38	2159	8.38	3.19	0.38	2299	7.70	2.92	0.38	2442	7.12	2.71	0.38	2534
29	18	8.10	7.13	0.88	1747	7.75	6.82	0.88	1837	7.45	6.56	0.88	1921	7.17	6.31	0.88	2009	6.76	5.95	0.88	2140	6.21	5.46	0.88	2273	5.74	5.05	0.88	2359
29	20	8.51	6.64	0.78	1779	8.15	6.36	0.78	1871	7.83	6.11	0.78	1957	7.53	5.88	0.78	2047	7.11	5.54	0.78	2180	6.52	5.09	0.78	2315	6.03	4.71	0.78	2403
29	22	9.03	5.96	0.66	1811	8.64	5.70	0.66	1904	8.30	5.48	0.66	1992	7.99	5.27	0.66	2084	7.53	4.97	0.66	2219	6.92	4.56	0.66	2357	6.40	4.22	0.66	2446
29	24	9.57	5.17	0.54	1844	9.16	4.94	0.54	1939	8.80	4.75	0.54	2028	8.46	4.57	0.54	2121	7.99	4.31	0.54	2259	7.33	3.96	0.54	2399	6.78	3.66	0.54	2490
29	26	10.05	4.22	0.42	1876	9.61	4.04	0.42	1973	9.24	3.88	0.42	2064	8.89	3.73	0.42	2159	8.38	3.52	0.42	2299	7.70	3.23	0.42	2442	7.12	2.99	0.42	2534
30	18	8.10	7.13	0.88	1747	7.75	6.82	0.88	1837	7.45	6.56	0.88	1921	7.17	6.31	0.88	2009	6.76	5.95	0.88	2140	6.21	5.46	0.88	2273	5.74	5.05	0.88	2359
30	20	8.51	6.98	0.82	1779	8.15	6.68	0.82	1871	7.83	6.42	0.82	1957	7.53	6.18	0.82	2047	7.11	5.83	0.82	2180	6.52	5.35	0.82	2315	6.03	4.95	0.82	2403
30	22	9.03	6.32	0.70	1811	8.64	6.05	0.70	1904	8.30	5.81	0.70	1992	7.99	5.59	0.70	2084	7.53	5.27	0.70	2219	6.92	4.84	0.70	2357	6.40	4.48	0.70	2446
30	24	9.57	5.55	0.58	1844	9.16	5.31	0.58	1939	8.80	5.11	0.58	2028	8.46	4.91	0.58	2121	7.99	4.63	0.58	2259	7.33	4.25	0.58	2399	6.78	3.93	0.58	2490
30	26	10.05	4.62	0.46	1876	9.61	4.42	0.46	1973	9.24	4.25	0.46	2064	8.89	4.09	0.46	2159	8.38	3.86	0.46	2299	7.70	3.54	0.46	2442	7.12	3.28	0.46	2534
31	18	8.10	7.13	0.88	1747	7.75	6.82	0.88	1837	7.45	6.56	0.88	1921	7.17	6.31	0.88	2009	6.76	5.95	0.88	2140	6.21	5.46	0.88	2273	5.74	5.05	0.88	2359
31	20	8.51	7.32	0.86	1779	8.15	7.01	0.86	1871	7.83	6.74	0.86	1957	7.53	6.48	0.86	2047	7.11	6.11	0.86	2180	6.52	5.61	0.86	2315	6.03	5.19	0.86	2403
31	22	9.03	6.68	0.74	1811	8.64	6.39	0.74	1904	8.30	6.15	0.74	1992	7.99	5.91	0.74	2084	7.53	5.57	0.74	2219	6.92	5.12	0.74	2357	6.40	4.73	0.74	2446
31	24	9.57	5.93	0.62	1844	9.16	5.68	0.62	1939	8.80	5.46	0.62	2028	8.46	5.25	0.62	2121	7.99	4.95	0.62	2259	7.33	4.54	0.62	2399	6.78	4.20	0.62	2490
31	26	10.05	5.02	0.50	1876	9.61	4.81	0.50	1973	9.24	4.62	0.50	2064	8.89	4.44	0.50	2159	8.38	4.19	0.50	2299	7.70	3.85	0.50	2442	7.12	3.56	0.50	2534
32	18	8.10	7.13	0.88	1747	7.75	6.82	0.88	1837	7.45	6.56	0.88	1921	7.17	6.31	0.88	2009	6.76	5.95	0.88	2140	6.21	5.46	0.88	2273	5.74	5.05	0.88	2359
32	20	8.51	7.49	0.88	1779	8.15	7.17	0.88	1871	7.83	6.89	0.88	1957	7.53	6.63	0.88	2047	7.11	6.25	0.88	2180	6.52	5.74	0.88	2315	6.03	5.31	0.88	2403
32	22	9.03	7.04	0.78	1811	8.64	6.74	0.78	1904	8.30	6.48	0.78	1992	7.99	6.23	0.78	2084	7.53	5.88	0.78	2219	6.92	5.39	0.78	2357	6.40	4.99	0.78	2446
32	24	9.57	6.31	0.66	1844	9.16	6.04	0.66	1939	8.80	5.81	0.66	2028	8.46	5.59	0.66	2121	7.99	5.27	0.66	2259	7.33	4.84	0.66	2399	6.78	4.48	0.66	2490
32	26	10.05	5.42	0.54	1876	9.61	5.19	0.54	1973	9.24	4.99	0.54	2064	8.89	4.80	0.54	2159	8.38	4.53	0.54	2299	7.70	4.16	0.54	2442	7.12	3.84	0.54	2534

Remarks:
 Q: Total Cooling Capacity (Gross) kW
 SHC: Sensible Heat Capacity (Gross)
 SHF: Sensible Capacity ratio
 INPUT: Power Input (including the compressor, evap. fan motor & cond. fan motor) W
 DB: Dry Bulb Temperature
 WB: Wet Bulb Temperature

5. CAPACITIES AND SELECTION DATA

PERFORMANCE DATA (Cooling Operation at Rated Frequency)																													
RPIH-3.5UFE1NH+RAS-3.5UFESNH1																													
CAPACITY: 8.50 kW SHF: 0.70 INPUT: 2670 W																													
INDOOR INDOOR DB (°C) WB(°C)		OUTDOOR DB (°C)																											
		21				25				27				30				35				40				46			
		Q	SHC	SHF	INPUT	Q	SHC	SHF	INPUT	Q	SHC	SHF	INPUT	Q	SHC	SHF	INPUT	Q	SHC	SHF	INPUT	Q	SHC	SHF	INPUT	Q	SHC	SHF	INPUT
21	18	9.98	5.19	0.52	2163	9.55	4.97	0.52	2274	9.18	4.78	0.52	2379	8.83	4.59	0.52	2488	8.33	4.33	0.52	2650	7.65	3.98	0.52	2814	7.07	3.68	0.52	2921
21	20	10.49	4.20	0.40	2195	10.04	4.02	0.40	2309	9.65	3.86	0.40	2415	9.28	3.71	0.40	2526	8.76	3.50	0.40	2690	8.04	3.21	0.40	2857	7.43	2.97	0.40	2965
22	18	9.98	5.59	0.56	2163	9.55	5.35	0.56	2274	9.18	5.14	0.56	2379	8.83	4.94	0.56	2488	8.33	4.66	0.56	2650	7.65	4.28	0.56	2814	7.07	3.96	0.56	2921
22	20	10.49	4.62	0.44	2195	10.04	4.42	0.44	2309	9.65	4.25	0.44	2415	9.28	4.08	0.44	2526	8.76	3.85	0.44	2690	8.04	3.54	0.44	2857	7.43	3.27	0.44	2965
22	22	11.12	3.56	0.32	2227	10.64	3.40	0.32	2342	10.23	3.27	0.32	2450	9.84	3.15	0.32	2563	9.28	2.97	0.32	2729	8.52	2.73	0.32	2898	7.88	2.52	0.32	3008
23	18	9.98	5.99	0.60	2163	9.55	5.73	0.60	2274	9.18	5.51	0.60	2379	8.83	5.30	0.60	2488	8.33	5.00	0.60	2650	7.65	4.59	0.60	2814	7.07	4.24	0.60	2921
23	20	10.49	5.03	0.48	2195	10.04	4.82	0.48	2309	9.65	4.63	0.48	2415	9.28	4.45	0.48	2526	8.76	4.20	0.48	2690	8.04	3.86	0.48	2857	7.43	3.57	0.48	2965
23	22	11.12	4.00	0.36	2227	10.64	3.83	0.36	2342	10.23	3.68	0.36	2450	9.84	3.54	0.36	2563	9.28	3.34	0.36	2729	8.52	3.07	0.36	2898	7.88	2.84	0.36	3008
24	18	9.98	6.39	0.64	2163	9.55	6.11	0.64	2274	9.18	5.88	0.64	2379	8.83	5.65	0.64	2488	8.33	5.33	0.64	2650	7.65	4.89	0.64	2814	7.07	4.53	0.64	2921
24	20	10.49	5.45	0.52	2195	10.04	5.22	0.52	2309	9.65	5.02	0.52	2415	9.28	4.83	0.52	2526	8.76	4.55	0.52	2690	8.04	4.18	0.52	2857	7.43	3.87	0.52	2965
24	22	11.12	4.45	0.40	2227	10.64	4.26	0.40	2342	10.23	4.09	0.40	2450	9.84	3.93	0.40	2563	9.28	3.71	0.40	2729	8.52	3.41	0.40	2898	7.88	3.15	0.40	3008
24	24	11.79	3.30	0.28	2260	11.28	3.16	0.28	2376	10.84	3.04	0.28	2486	10.43	2.92	0.28	2600	9.84	2.75	0.28	2769	9.03	2.53	0.28	2941	8.35	2.34	0.28	3052
25	18	9.98	6.79	0.68	2163	9.55	6.49	0.68	2274	9.18	6.24	0.68	2379	8.83	6.00	0.68	2488	8.33	5.66	0.68	2650	7.65	5.20	0.68	2814	7.07	4.81	0.68	2921
25	20	10.49	5.87	0.56	2195	10.04	5.62	0.56	2309	9.65	5.40	0.56	2415	9.28	5.20	0.56	2526	8.76	4.90	0.56	2690	8.04	4.50	0.56	2857	7.43	4.16	0.56	2965
25	22	11.12	4.89	0.44	2227	10.64	4.68	0.44	2342	10.23	4.50	0.44	2450	9.84	4.33	0.44	2563	9.28	4.08	0.44	2729	8.52	3.75	0.44	2898	7.88	3.47	0.44	3008
25	24	11.79	3.77	0.32	2260	11.28	3.61	0.32	2376	10.84	3.47	0.32	2486	10.43	3.34	0.32	2600	9.84	3.15	0.32	2769	9.03	2.89	0.32	2941	8.35	2.67	0.32	3052
26	18	9.98	7.19	0.72	2163	9.55	6.88	0.72	2274	9.18	6.61	0.72	2379	8.83	6.36	0.72	2488	8.33	6.00	0.72	2650	7.65	5.51	0.72	2814	7.07	5.09	0.72	2921
26	20	10.49	6.29	0.60	2195	10.04	6.02	0.60	2309	9.65	5.79	0.60	2415	9.28	5.57	0.60	2526	8.76	5.25	0.60	2690	8.04	4.82	0.60	2857	7.43	4.46	0.60	2965
26	22	11.12	5.34	0.48	2227	10.64	5.11	0.48	2342	10.23	4.91	0.48	2450	9.84	4.72	0.48	2563	9.28	4.45	0.48	2729	8.52	4.09	0.48	2898	7.88	3.78	0.48	3008
26	24	11.79	4.24	0.36	2260	11.28	4.06	0.36	2376	10.84	3.90	0.36	2486	10.43	3.75	0.36	2600	9.84	3.54	0.36	2769	9.03	3.25	0.36	2941	8.35	3.01	0.36	3052
26	26	12.38	2.97	0.24	2293	11.84	2.84	0.24	2411	11.39	2.73	0.24	2522	10.95	2.63	0.24	2638	10.33	2.48	0.24	2809	9.48	2.28	0.24	2983	8.77	2.11	0.24	3097
27	18	9.98	7.58	0.76	2163	9.55	7.26	0.76	2274	9.18	6.98	0.76	2379	8.83	6.71	0.76	2488	8.33	6.33	0.76	2650	7.65	5.81	0.76	2814	7.07	5.38	0.76	2921
27	19	10.18	7.13	0.70	2179	9.75	6.82	0.70	2291	9.37	6.56	0.70	2397	9.01	6.31	0.70	2507	8.50	5.95	0.70	2670	7.80	5.46	0.70	2836	7.22	5.05	0.70	2943
27	20	10.49	6.71	0.64	2195	10.04	6.42	0.64	2309	9.65	6.18	0.64	2415	9.28	5.94	0.64	2526	8.76	5.60	0.64	2690	8.04	5.14	0.64	2857	7.43	4.76	0.64	2965
27	22	11.12	5.78	0.52	2227	10.64	5.53	0.52	2342	10.23	5.32	0.52	2450	9.84	5.12	0.52	2563	9.28	4.83	0.52	2729	8.52	4.43	0.52	2898	7.88	4.10	0.52	3008
27	24	11.79	4.71	0.40	2260	11.28	4.51	0.40	2376	10.84	4.34	0.40	2486	10.43	4.17	0.40	2600	9.84	3.93	0.40	2769	9.03	3.61	0.40	2941	8.35	3.34	0.40	3052
27	26	12.38	3.47	0.28	2293	11.84	3.32	0.28	2411	11.39	3.19	0.28	2522	10.95	3.07	0.28	2638	10.33	2.89	0.28	2809	9.48	2.65	0.28	2983	8.77	2.46	0.28	3097
28	18	9.98	7.98	0.80	2163	9.55	7.64	0.80	2274	9.18	7.35	0.80	2379	8.83	7.06	0.80	2488	8.33	6.66	0.80	2650	7.65	6.12	0.80	2814	7.07	5.66	0.80	2921
28	20	10.49	7.13	0.68	2195	10.04	6.83	0.68	2309	9.65	6.56	0.68	2415	9.28	6.31	0.68	2526	8.76	5.95	0.68	2690	8.04	5.47	0.68	2857	7.43	5.06	0.68	2965
28	22	11.12	6.23	0.56	2227	10.64	5.96	0.56	2342	10.23	5.73	0.56	2450	9.84	5.51	0.56	2563	9.28	5.20	0.56	2729	8.52	4.77	0.56	2898	7.88	4.41	0.56	3008
28	24	11.79	5.19	0.44	2260	11.28	4.96	0.44	2376	10.84	4.77	0.44	2486	10.43	4.59	0.44	2600	9.84	4.33	0.44	2769	9.03	3.97	0.44	2941	8.35	3.68	0.44	3052
28	26	12.38	3.96	0.32	2293	11.84	3.79	0.32	2411	11.39	3.64	0.32	2522	10.95	3.50	0.32	2638	10.33	3.31	0.32	2809	9.48	3.03	0.32	2983	8.77	2.81	0.32	3097
29	18	9.98	8.18	0.82	2163	9.55	7.83	0.82	2274	9.18	7.53	0.82	2379	8.83	7.24	0.82	2488	8.33	6.83	0.82	2650	7.65	6.27	0.82	2814	7.07	5.80	0.82	2921

5. CAPACITIES AND SELECTION DATA

PERFORMANCE DATA (Cooling Operation at Rated Frequency)																													
RPIH-3.5UFE1NH+RAS-3.5UFESNH1																													
CAPACITY: 8.50 kW SHF: 0.70 INPUT: 2670 W																													
INDOOR INDOOR DB (°C) WB(°C)		OUTDOOR DB (°C)																											
		21				25				27				30				35				40				46			
		Q	SHC	SHF	INPUT	Q	SHC	SHF	INPUT	Q	SHC	SHF	INPUT	Q	SHC	SHF	INPUT	Q	SHC	SHF	INPUT	Q	SHC	SHF	INPUT	Q	SHC	SHF	INPUT
29	20	10.49	7.55	0.72	2195	10.04	7.23	0.72	2309	9.65	6.95	0.72	2415	9.28	6.68	0.72	2526	8.76	6.30	0.72	2690	8.04	5.79	0.72	2857	7.43	5.35	0.72	2965
29	22	11.12	6.67	0.60	2227	10.64	6.38	0.60	2342	10.23	6.14	0.60	2450	9.84	5.90	0.60	2563	9.28	5.57	0.60	2729	8.52	5.11	0.60	2898	7.88	4.73	0.60	3008
29	24	11.79	5.66	0.48	2260	11.28	5.41	0.48	2376	10.84	5.21	0.48	2486	10.43	5.01	0.48	2600	9.84	4.72	0.48	2769	9.03	4.33	0.48	2941	8.35	4.01	0.48	3052
29	26	12.38	4.46	0.36	2293	11.84	4.26	0.36	2411	11.39	4.10	0.36	2522	10.95	3.94	0.36	2638	10.33	3.72	0.36	2809	9.48	3.41	0.36	2983	8.77	3.16	0.36	3097
30	18	9.98	8.18	0.82	2163	9.55	7.83	0.82	2274	9.18	7.53	0.82	2379	8.83	7.24	0.82	2488	8.33	6.83	0.82	2650	7.65	6.27	0.82	2814	7.07	5.80	0.82	2921
30	20	10.49	7.97	0.76	2195	10.04	7.63	0.76	2309	9.65	7.34	0.76	2415	9.28	7.05	0.76	2526	8.76	6.65	0.76	2690	8.04	6.11	0.76	2857	7.43	5.65	0.76	2965
30	22	11.12	7.12	0.64	2227	10.64	6.81	0.64	2342	10.23	6.55	0.64	2450	9.84	6.30	0.64	2563	9.28	5.94	0.64	2729	8.52	5.45	0.64	2898	7.88	5.04	0.64	3008
30	24	11.79	6.13	0.52	2260	11.28	5.86	0.52	2376	10.84	5.64	0.52	2486	10.43	5.42	0.52	2600	9.84	5.12	0.52	2769	9.03	4.70	0.52	2941	8.35	4.34	0.52	3052
30	26	12.38	4.95	0.40	2293	11.84	4.74	0.40	2411	11.39	4.55	0.40	2522	10.95	4.38	0.40	2638	10.33	4.13	0.40	2809	9.48	3.79	0.40	2983	8.77	3.51	0.40	3097
31	18	9.98	8.18	0.82	2163	9.55	7.83	0.82	2274	9.18	7.53	0.82	2379	8.83	7.24	0.82	2488	8.33	6.83	0.82	2650	7.65	6.27	0.82	2814	7.07	5.80	0.82	2921
31	20	10.49	8.39	0.80	2195	10.04	8.03	0.80	2309	9.65	7.72	0.80	2415	9.28	7.42	0.80	2526	8.76	7.00	0.80	2690	8.04	6.43	0.80	2857	7.43	5.95	0.80	2965
31	22	11.12	7.56	0.68	2227	10.64	7.24	0.68	2342	10.23	6.96	0.68	2450	9.84	6.69	0.68	2563	9.28	6.31	0.68	2729	8.52	5.79	0.68	2898	7.88	5.36	0.68	3008
31	24	11.79	6.60	0.56	2260	11.28	6.32	0.56	2376	10.84	6.07	0.56	2486	10.43	5.84	0.56	2600	9.84	5.51	0.56	2769	9.03	5.06	0.56	2941	8.35	4.68	0.56	3052
31	26	12.38	5.45	0.44	2293	11.84	5.21	0.44	2411	11.39	5.01	0.44	2522	10.95	4.82	0.44	2638	10.33	4.54	0.44	2809	9.48	4.17	0.44	2983	8.77	3.86	0.44	3097
32	18	9.98	8.18	0.82	2163	9.55	7.83	0.82	2274	9.18	7.53	0.82	2379	8.83	7.24	0.82	2488	8.33	6.83	0.82	2650	7.65	6.27	0.82	2814	7.07	5.80	0.82	2921
32	20	10.49	8.60	0.82	2195	10.04	8.23	0.82	2309	9.65	7.91	0.82	2415	9.28	7.61	0.82	2526	8.76	7.18	0.82	2690	8.04	6.59	0.82	2857	7.43	6.10	0.82	2965
32	22	11.12	8.01	0.72	2227	10.64	7.66	0.72	2342	10.23	7.37	0.72	2450	9.84	7.08	0.72	2563	9.28	6.68	0.72	2729	8.52	6.13	0.72	2898	7.88	5.67	0.72	3008
32	24	11.79	7.07	0.60	2260	11.28	6.77	0.60	2376	10.84	6.51	0.60	2486	10.43	6.26	0.60	2600	9.84	5.90	0.60	2769	9.03	5.42	0.60	2941	8.35	5.01	0.60	3052
32	26	12.38	5.94	0.48	2293	11.84	5.68	0.48	2411	11.39	5.47	0.48	2522	10.95	5.26	0.48	2638	10.33	4.96	0.48	2809	9.48	4.55	0.48	2983	8.77	4.21	0.48	3097

Remarks:
 Q: Total Cooling Capacity (Gross) **kW**
 SHC: Sensible Heat Capacity (Gross)
 SHF: Sensible Capacity ratio
 INPUT: Power Input (including the compressor, evap. fan motor & cond. fan motor) **W**
 DB: Dry Bulb Temperature
 WB: Wet Bulb Temperature

5. CAPACITIES AND SELECTION DATA

PERFORMANCE DATA (Cooling Operation at Rated Frequency)																													
RPIH-4.0UFE1NH+RAS-4.0UFESNH1																													
CAPACITY:10.10 KW SHF: 0.70 INPUT: 3800 W																													
INDOOR INDOOR DB (°C) WB(°C)		OUTDOOR DB (°C)																											
		21				25				27				30				35				40				46			
		Q	SHC	SHF	INPUT	Q	SHC	SHF	INPUT	Q	SHC	SHF	INPUT	Q	SHC	SHF	INPUT	Q	SHC	SHF	INPUT	Q	SHC	SHF	INPUT	Q	SHC	SHF	INPUT
21	18	11.86	6.17	0.52	3085	11.35	5.90	0.52	3244	10.91	5.67	0.52	3393	10.49	5.46	0.52	3549	9.90	5.15	0.52	3780	9.09	4.72	0.52	4014	8.40	4.37	0.52	4167
21	20	12.46	4.99	0.40	3118	11.93	4.77	0.40	3278	11.47	4.59	0.40	3429	11.03	4.41	0.40	3587	10.40	4.16	0.40	3820	9.55	3.82	0.40	4057	8.83	3.53	0.40	4211
22	18	11.86	6.64	0.56	3085	11.35	6.35	0.56	3244	10.91	6.11	0.56	3393	10.49	5.88	0.56	3549	9.90	5.54	0.56	3780	9.09	5.09	0.56	4014	8.40	4.71	0.56	4167
22	20	12.46	5.48	0.44	3118	11.93	5.25	0.44	3278	11.47	5.05	0.44	3429	11.03	4.85	0.44	3587	10.40	4.58	0.44	3820	9.55	4.20	0.44	4057	8.83	3.89	0.44	4211
22	22	13.21	4.23	0.32	3149	12.64	4.05	0.32	3312	12.16	3.89	0.32	3464	11.69	3.74	0.32	3624	11.03	3.53	0.32	3859	10.12	3.24	0.32	4098	9.36	3.00	0.32	4254
23	18	11.86	7.12	0.60	3085	11.35	6.81	0.60	3244	10.91	6.55	0.60	3393	10.49	6.30	0.60	3549	9.90	5.94	0.60	3780	9.09	5.45	0.60	4014	8.40	5.04	0.60	4167
23	20	12.46	5.98	0.48	3118	11.93	5.72	0.48	3278	11.47	5.50	0.48	3429	11.03	5.29	0.48	3587	10.40	4.99	0.48	3820	9.55	4.58	0.48	4057	8.83	4.24	0.48	4211
23	22	13.21	4.76	0.36	3149	12.64	4.55	0.36	3312	12.16	4.38	0.36	3464	11.69	4.21	0.36	3624	11.03	3.97	0.36	3859	10.12	3.64	0.36	4098	9.36	3.37	0.36	4254
24	18	11.86	7.59	0.64	3085	11.35	7.26	0.64	3244	10.91	6.98	0.64	3393	10.49	6.71	0.64	3549	9.90	6.33	0.64	3780	9.09	5.82	0.64	4014	8.40	5.38	0.64	4167
24	20	12.46	6.48	0.52	3118	11.93	6.20	0.52	3278	11.47	5.96	0.52	3429	11.03	5.73	0.52	3587	10.40	5.41	0.52	3820	9.55	4.97	0.52	4057	8.83	4.59	0.52	4211
24	22	13.21	5.28	0.40	3149	12.64	5.06	0.40	3312	12.16	4.86	0.40	3464	11.69	4.68	0.40	3624	11.03	4.41	0.40	3859	10.12	4.05	0.40	4098	9.36	3.75	0.40	4254
24	24	14.00	3.92	0.28	3182	13.40	3.75	0.28	3346	12.89	3.61	0.28	3500	12.39	3.47	0.28	3661	11.69	3.27	0.28	3899	10.73	3.00	0.28	4141	9.93	2.78	0.28	4298
25	18	11.86	8.06	0.68	3085	11.35	7.72	0.68	3244	10.91	7.42	0.68	3393	10.49	7.13	0.68	3549	9.90	6.73	0.68	3780	9.09	6.18	0.68	4014	8.40	5.72	0.68	4167
25	20	12.46	6.98	0.56	3118	11.93	6.68	0.56	3278	11.47	6.42	0.56	3429	11.03	6.18	0.56	3587	10.40	5.83	0.56	3820	9.55	5.35	0.56	4057	8.83	4.95	0.56	4211
25	22	13.21	5.81	0.44	3149	12.64	5.56	0.44	3312	12.16	5.35	0.44	3464	11.69	5.14	0.44	3624	11.03	4.85	0.44	3859	10.12	4.45	0.44	4098	9.36	4.12	0.44	4254
25	24	14.00	4.48	0.32	3182	13.40	4.29	0.32	3346	12.89	4.12	0.32	3500	12.39	3.96	0.32	3661	11.69	3.74	0.32	3899	10.73	3.43	0.32	4141	9.93	3.18	0.32	4298
26	18	11.86	8.54	0.72	3085	11.35	8.17	0.72	3244	10.91	7.86	0.72	3393	10.49	7.55	0.72	3549	9.90	7.13	0.72	3780	9.09	6.54	0.72	4014	8.40	6.05	0.72	4167
26	20	12.46	7.48	0.60	3118	11.93	7.16	0.60	3278	11.47	6.88	0.60	3429	11.03	6.62	0.60	3587	10.40	6.24	0.60	3820	9.55	5.73	0.60	4057	8.83	5.30	0.60	4211
26	22	13.21	6.34	0.48	3149	12.64	6.07	0.48	3312	12.16	5.84	0.48	3464	11.69	5.61	0.48	3624	11.03	5.29	0.48	3859	10.12	4.86	0.48	4098	9.36	4.49	0.48	4254
26	24	14.00	5.04	0.36	3182	13.40	4.82	0.36	3346	12.89	4.64	0.36	3500	12.39	4.46	0.36	3661	11.69	4.21	0.36	3899	10.73	3.86	0.36	4141	9.93	3.57	0.36	4298
26	26	14.70	3.53	0.24	3215	14.07	3.38	0.24	3380	13.53	3.25	0.24	3536	13.01	3.12	0.24	3699	12.27	2.95	0.24	3939	11.27	2.70	0.24	4183	10.42	2.50	0.24	4342
27	18	11.86	9.01	0.76	3085	11.35	8.62	0.76	3244	10.91	8.29	0.76	3393	10.49	7.97	0.76	3549	9.90	7.52	0.76	3780	9.09	6.91	0.76	4014	8.40	6.39	0.76	4167
27	19	12.10	8.47	0.70	3101	11.58	8.11	0.70	3261	11.13	7.79	0.70	3411	10.71	7.49	0.70	3568	10.10	7.07	0.70	3800	9.27	6.49	0.70	4036	8.58	6.00	0.70	4189
27	20	12.46	7.98	0.64	3118	11.93	7.63	0.64	3278	11.47	7.34	0.64	3429	11.03	7.06	0.64	3587	10.40	6.66	0.64	3820	9.55	6.11	0.64	4057	8.83	5.65	0.64	4211
27	22	13.21	6.87	0.52	3149	12.64	6.57	0.52	3312	12.16	6.32	0.52	3464	11.69	6.08	0.52	3624	11.03	5.73	0.52	3859	10.12	5.26	0.52	4098	9.36	4.87	0.52	4254
27	24	14.00	5.60	0.40	3182	13.40	5.36	0.40	3346	12.89	5.15	0.40	3500	12.39	4.96	0.40	3661	11.69	4.68	0.40	3899	10.73	4.29	0.40	4141	9.93	3.97	0.40	4298
27	26	14.70	4.12	0.28	3215	14.07	3.94	0.28	3380	13.53	3.79	0.28	3536	13.01	3.64	0.28	3699	12.27	3.44	0.28	3939	11.27	3.15	0.28	4183	10.42	2.92	0.28	4342
28	18	11.86	9.49	0.80	3085	11.35	9.08	0.80	3244	10.91	8.73	0.80	3393	10.49	8.39	0.80	3549	9.90	7.92	0.80	3780	9.09	7.27	0.80	4014	8.40	6.72	0.80	4167
28	20	12.46	8.48	0.68	3118	11.93	8.11	0.68	3278	11.47	7.80	0.68	3429	11.03	7.50	0.68	3587	10.40	7.07	0.68	3820	9.55	6.49	0.68	4057	8.83	6.01	0.68	4211
28	22	13.21	7.40	0.56	3149	12.64	7.08	0.56	3312	12.16	6.81	0.56	3464	11.69	6.55	0.56	3624	11.03	6.18	0.56	3859	10.12	5.67	0.56	4098	9.36	5.24	0.56	4254
28	24	14.00	6.16	0.44	3182	13.40	5.90	0.44	3346	12.89	5.67	0.44	3500	12.39	5.45	0.44	3661	11.69	5.14	0.44	3899	10.73	4.72	0.44	4141	9.93	4.37	0.44	4298
28	26	14.70	4.71	0.32	3215	14.07	4.50	0.32	3380	13.53	4.33	0.32	3536	13.01	4.16	0.32	3699	12.27	3.93	0.32	3939	11.27	3.61	0.32	4183	10.42	3.33	0.32	4342
29	18	11.86	9.72	0.82	3085	11.35	9.31	0.82	3244	10.91	8.95	0.82	3393	10.49	8.60	0.82	3549	9.90	8.12	0.82	3780	9.09	7.45	0.82	4014	8.40	6.89	0.82	4167

5. CAPACITIES AND SELECTION DATA

PERFORMANCE DATA (Cooling Operation at Rated Frequency)																													
RPIH-4.0UFE1NH+RAS-4.0UFESNH1																													
CAPACITY:10.10 kW SHF: 0.70 INPUT: 3800 W																													
INDOOR INDOOR DB (°C) WB(°C)		OUTDOOR DB (°C)																											
		21				25				27				30				35				40				46			
		Q	SHC	SHF	INPUT	Q	SHC	SHF	INPUT	Q	SHC	SHF	INPUT	Q	SHC	SHF	INPUT	Q	SHC	SHF	INPUT	Q	SHC	SHF	INPUT	Q	SHC	SHF	INPUT
29	20	12.46	8.97	0.72	3118	11.93	8.59	0.72	3278	11.47	8.26	0.72	3429	11.03	7.94	0.72	3587	10.40	7.49	0.72	3820	9.55	6.88	0.72	4057	8.83	6.36	0.72	4211
29	22	13.21	7.93	0.60	3149	12.64	7.59	0.60	3312	12.16	7.29	0.60	3464	11.69	7.01	0.60	3624	11.03	6.62	0.60	3859	10.12	6.07	0.60	4098	9.36	5.62	0.60	4254
29	24	14.00	6.72	0.48	3182	13.40	6.43	0.48	3346	12.89	6.19	0.48	3500	12.39	5.95	0.48	3661	11.69	5.61	0.48	3899	10.73	5.15	0.48	4141	9.93	4.76	0.48	4298
29	26	14.70	5.29	0.36	3215	14.07	5.07	0.36	3380	13.53	4.87	0.36	3536	13.01	4.68	0.36	3699	12.27	4.42	0.36	3939	11.27	4.06	0.36	4183	10.42	3.75	0.36	4342
30	18	11.86	9.72	0.82	3085	11.35	9.31	0.82	3244	10.91	8.95	0.82	3393	10.49	8.60	0.82	3549	9.90	8.12	0.82	3780	9.09	7.45	0.82	4014	8.40	6.89	0.82	4167
30	20	12.46	9.47	0.76	3118	11.93	9.06	0.76	3278	11.47	8.72	0.76	3429	11.03	8.38	0.76	3587	10.40	7.91	0.76	3820	9.55	7.26	0.76	4057	8.83	6.71	0.76	4211
30	22	13.21	8.46	0.64	3149	12.64	8.09	0.64	3312	12.16	7.78	0.64	3464	11.69	7.48	0.64	3624	11.03	7.06	0.64	3859	10.12	6.48	0.64	4098	9.36	5.99	0.64	4254
30	24	14.00	7.28	0.52	3182	13.40	6.97	0.52	3346	12.89	6.70	0.52	3500	12.39	6.44	0.52	3661	11.69	6.08	0.52	3899	10.73	5.58	0.52	4141	9.93	5.16	0.52	4298
30	26	14.70	5.88	0.40	3215	14.07	5.63	0.40	3380	13.53	5.41	0.40	3536	13.01	5.20	0.40	3699	12.27	4.91	0.40	3939	11.27	4.51	0.40	4183	10.42	4.17	0.40	4342
31	18	11.86	9.72	0.82	3085	11.35	9.31	0.82	3244	10.91	8.95	0.82	3393	10.49	8.60	0.82	3549	9.90	8.12	0.82	3780	9.09	7.45	0.82	4014	8.40	6.89	0.82	4167
31	20	12.46	9.97	0.80	3118	11.93	9.54	0.80	3278	11.47	9.17	0.80	3429	11.03	8.82	0.80	3587	10.40	8.32	0.80	3820	9.55	7.64	0.80	4057	8.83	7.07	0.80	4211
31	22	13.21	8.98	0.68	3149	12.64	8.60	0.68	3312	12.16	8.27	0.68	3464	11.69	7.95	0.68	3624	11.03	7.50	0.68	3859	10.12	6.88	0.68	4098	9.36	6.37	0.68	4254
31	24	14.00	7.84	0.56	3182	13.40	7.50	0.56	3346	12.89	7.22	0.56	3500	12.39	6.94	0.56	3661	11.69	6.55	0.56	3899	10.73	6.01	0.56	4141	9.93	5.56	0.56	4298
31	26	14.70	6.47	0.44	3215	14.07	6.19	0.44	3380	13.53	5.95	0.44	3536	13.01	5.72	0.44	3699	12.27	5.40	0.44	3939	11.27	4.96	0.44	4183	10.42	4.59	0.44	4342
32	18	11.86	9.72	0.82	3085	11.35	9.31	0.82	3244	10.91	8.95	0.82	3393	10.49	8.60	0.82	3549	9.90	8.12	0.82	3780	9.09	7.45	0.82	4014	8.40	6.89	0.82	4167
32	20	12.46	10.22	0.82	3118	11.93	9.78	0.82	3278	11.47	9.40	0.82	3429	11.03	9.04	0.82	3587	10.40	8.53	0.82	3820	9.55	7.83	0.82	4057	8.83	7.24	0.82	4211
32	22	13.21	9.51	0.72	3149	12.64	9.10	0.72	3312	12.16	8.75	0.72	3464	11.69	8.42	0.72	3624	11.03	7.94	0.72	3859	10.12	7.29	0.72	4098	9.36	6.74	0.72	4254
32	24	14.00	8.40	0.60	3182	13.40	8.04	0.60	3346	12.89	7.73	0.60	3500	12.39	7.43	0.60	3661	11.69	7.01	0.60	3899	10.73	6.44	0.60	4141	9.93	5.96	0.60	4298
32	26	14.70	7.06	0.48	3215	14.07	6.75	0.48	3380	13.53	6.49	0.48	3536	13.01	6.24	0.48	3699	12.27	5.89	0.48	3939	11.27	5.41	0.48	4183	10.42	5.00	0.48	4342

Remarks:
 Q: Total Cooling Capacity (Gross) **kW**
 SHC: Sensible Heat Capacity (Gross)
 SHF: Sensible Capacity ratio
 INPUT: Power Input (including the compressor, evap. fan motor & cond. fan motor) **W**
 DB: Dry Bulb Temperature
 WB: Wet Bulb Temperature

5. CAPACITIES AND SELECTION DATA

PERFORMANCE DATA (Cooling Operation at Rated Frequency)																													
RPIH-5.0UFE1NH+RAS-5.0UFESMH1																													
CAPACITY: 12.10 kW SHF: 0.70 INPUT: 4220 W																													
INDOOR INDOOR DB (°C) WB(°C)		OUTDOOR DB (°C)																											
		21				25				27				30				35				40				46			
		Q	SHC	SHF	INPUT	Q	SHC	SHF	INPUT	Q	SHC	SHF	INPUT	Q	SHC	SHF	INPUT	Q	SHC	SHF	INPUT	Q	SHC	SHF	INPUT	Q	SHC	SHF	INPUT
21	18	14.21	7.39	0.52	3428	13.60	7.07	0.52	3604	13.07	6.80	0.52	3770	12.57	6.54	0.52	3944	11.86	6.17	0.52	4200	10.89	5.66	0.52	4460	10.07	5.24	0.52	4630
21	20	14.93	5.97	0.40	3460	14.29	5.72	0.40	3639	13.74	5.50	0.40	3806	13.21	5.28	0.40	3981	12.46	4.99	0.40	4240	11.44	4.58	0.40	4503	10.58	4.23	0.40	4674
22	18	14.21	7.96	0.56	3428	13.60	7.61	0.56	3604	13.07	7.32	0.56	3770	12.57	7.04	0.56	3944	11.86	6.64	0.56	4200	10.89	6.10	0.56	4460	10.07	5.64	0.56	4630
22	20	14.93	6.57	0.44	3460	14.29	6.29	0.44	3639	13.74	6.05	0.44	3806	13.21	5.81	0.44	3981	12.46	5.48	0.44	4240	11.44	5.03	0.44	4503	10.58	4.66	0.44	4674
22	22	15.83	5.06	0.32	3492	15.15	4.85	0.32	3672	14.56	4.66	0.32	3841	14.00	4.48	0.32	4018	13.21	4.23	0.32	4279	12.13	3.88	0.32	4544	11.22	3.59	0.32	4717
23	18	14.21	8.52	0.60	3428	13.60	8.16	0.60	3604	13.07	7.84	0.60	3770	12.57	7.54	0.60	3944	11.86	7.11	0.60	4200	10.89	6.53	0.60	4460	10.07	6.04	0.60	4630
23	20	14.93	7.17	0.48	3460	14.29	6.86	0.48	3639	13.74	6.59	0.48	3806	13.21	6.34	0.48	3981	12.46	5.98	0.48	4240	11.44	5.49	0.48	4503	10.58	5.08	0.48	4674
23	22	15.83	5.70	0.36	3492	15.15	5.45	0.36	3672	14.56	5.24	0.36	3841	14.00	5.04	0.36	4018	13.21	4.76	0.36	4279	12.13	4.37	0.36	4544	11.22	4.04	0.36	4717
24	18	14.21	9.09	0.64	3428	13.60	8.70	0.64	3604	13.07	8.37	0.64	3770	12.57	8.04	0.64	3944	11.86	7.59	0.64	4200	10.89	6.97	0.64	4460	10.07	6.44	0.64	4630
24	20	14.93	7.76	0.52	3460	14.29	7.43	0.52	3639	13.74	7.14	0.52	3806	13.21	6.87	0.52	3981	12.46	6.48	0.52	4240	11.44	5.95	0.52	4503	10.58	5.50	0.52	4674
24	22	15.83	6.33	0.40	3492	15.15	6.06	0.40	3672	14.56	5.83	0.40	3841	14.00	5.60	0.40	4018	13.21	5.28	0.40	4279	12.13	4.85	0.40	4544	11.22	4.49	0.40	4717
24	24	16.78	4.70	0.28	3525	16.05	4.50	0.28	3707	15.44	4.32	0.28	3877	14.84	4.16	0.28	4056	14.00	3.92	0.28	4319	12.86	3.60	0.28	4587	11.89	3.33	0.28	4761
25	18	14.21	9.66	0.68	3428	13.60	9.24	0.68	3604	13.07	8.89	0.68	3770	12.57	8.55	0.68	3944	11.86	8.06	0.68	4200	10.89	7.40	0.68	4460	10.07	6.85	0.68	4630
25	20	14.93	8.36	0.56	3460	14.29	8.00	0.56	3639	13.74	7.69	0.56	3806	13.21	7.40	0.56	3981	12.46	6.98	0.56	4240	11.44	6.41	0.56	4503	10.58	5.93	0.56	4674
25	22	15.83	6.96	0.44	3492	15.15	6.66	0.44	3672	14.56	6.41	0.44	3841	14.00	6.16	0.44	4018	13.21	5.81	0.44	4279	12.13	5.34	0.44	4544	11.22	4.94	0.44	4717
25	24	16.78	5.37	0.32	3525	16.05	5.14	0.32	3707	15.44	4.94	0.32	3877	14.84	4.75	0.32	4056	14.00	4.48	0.32	4319	12.86	4.11	0.32	4587	11.89	3.81	0.32	4761
26	18	14.21	10.23	0.72	3428	13.60	9.79	0.72	3604	13.07	9.41	0.72	3770	12.57	9.05	0.72	3944	11.86	8.54	0.72	4200	10.89	7.84	0.72	4460	10.07	7.25	0.72	4630
26	20	14.93	8.96	0.60	3460	14.29	8.57	0.60	3639	13.74	8.24	0.60	3806	13.21	7.93	0.60	3981	12.46	7.48	0.60	4240	11.44	6.86	0.60	4503	10.58	6.35	0.60	4674
26	22	15.83	7.60	0.48	3492	15.15	7.27	0.48	3672	14.56	6.99	0.48	3841	14.00	6.72	0.48	4018	13.21	6.34	0.48	4279	12.13	5.82	0.48	4544	11.22	5.38	0.48	4717
26	24	16.78	6.04	0.36	3525	16.05	5.78	0.36	3707	15.44	5.56	0.36	3877	14.84	5.34	0.36	4056	14.00	5.04	0.36	4319	12.86	4.63	0.36	4587	11.89	4.28	0.36	4761
26	26	17.62	4.23	0.24	3558	16.86	4.05	0.24	3741	16.21	3.89	0.24	3913	15.59	3.74	0.24	4093	14.70	3.53	0.24	4359	13.50	3.24	0.24	4629	12.49	3.00	0.24	4805
27	18	14.21	10.80	0.76	3428	13.60	10.33	0.76	3604	13.07	9.93	0.76	3770	12.57	9.55	0.76	3944	11.86	9.01	0.76	4200	10.89	8.27	0.76	4460	10.07	7.65	0.76	4630
27	19	14.50	10.15	0.70	3444	13.87	9.71	0.70	3622	13.34	9.34	0.70	3788	12.83	8.98	0.70	3963	12.10	8.47	0.70	4220	11.11	7.78	0.70	4482	10.27	7.19	0.70	4652
27	20	14.93	9.56	0.64	3460	14.29	9.14	0.64	3639	13.74	8.79	0.64	3806	13.21	8.45	0.64	3981	12.46	7.98	0.64	4240	11.44	7.32	0.64	4503	10.58	6.77	0.64	4674
27	22	15.83	8.23	0.52	3492	15.15	7.88	0.52	3672	14.56	7.57	0.52	3841	14.00	7.28	0.52	4018	13.21	6.87	0.52	4279	12.13	6.31	0.52	4544	11.22	5.83	0.52	4717
27	24	16.78	6.71	0.40	3525	16.05	6.42	0.40	3707	15.44	6.17	0.40	3877	14.84	5.94	0.40	4056	14.00	5.60	0.40	4319	12.86	5.14	0.40	4587	11.89	4.76	0.40	4761
27	26	17.62	4.93	0.28	3558	16.86	4.72	0.28	3741	16.21	4.54	0.28	3913	15.59	4.36	0.28	4093	14.70	4.12	0.28	4359	13.50	3.78	0.28	4629	12.49	3.50	0.28	4805
28	18	14.21	11.37	0.80	3428	13.60	10.88	0.80	3604	13.07	10.46	0.80	3770	12.57	10.06	0.80	3944	11.86	9.49	0.80	4200	10.89	8.71	0.80	4460	10.07	8.06	0.80	4630
28	20	14.93	10.15	0.68	3460	14.29	9.72	0.68	3639	13.74	9.34	0.68	3806	13.21	8.98	0.68	3981	12.46	8.47	0.68	4240	11.44	7.78	0.68	4503	10.58	7.20	0.68	4674
28	22	15.83	8.86	0.56	3492	15.15	8.48	0.56	3672	14.56	8.16	0.56	3841	14.00	7.84	0.56	4018	13.21	7.40	0.56	4279	12.13	6.79	0.56	4544	11.22	6.28	0.56	4717
28	24	16.78	7.38	0.44	3525	16.05	7.06	0.44	3707	15.44	6.79	0.44	3877	14.84	6.53	0.44	4056	14.00	6.16	0.44	4319	12.86	5.66	0.44	4587	11.89	5.23	0.44	4761
28	26	17.62	5.64	0.32	3558	16.86	5.39	0.32	3741	16.21	5.19	0.32	3913	15.59	4.99	0.32	4093	14.70	4.71	0.32	4359	13.50	4.32	0.32	4629	12.49	4.00	0.32	4805
29	18	14.21	11.65	0.82	3428	13.60	11.15	0.82	3604	13.07	10.72	0.82	3770	12.57	10.31	0.82	3944	11.86	9.72	0.82	4200	10.89	8.93	0.82	4460	10.07	8.26	0.82	4630

5. CAPACITIES AND SELECTION DATA

PERFORMANCE DATA (Cooling Operation at Rated Frequency)																													
RPIH-5.0UFE1NH+RAS-5.0UFESMH1																													
CAPACITY: 12.10 kW SHF: 0.70 INPUT: 4220 W																													
INDOOR INDOOR DB (°C) WB(°C)		OUTDOOR DB (°C)																											
		21				25				27				30				35				40				46			
		Q	SHC	SHF	INPUT	Q	SHC	SHF	INPUT	Q	SHC	SHF	INPUT	Q	SHC	SHF	INPUT	Q	SHC	SHF	INPUT	Q	SHC	SHF	INPUT	Q	SHC	SHF	INPUT
29	20	14.93	10.75	0.72	3460	14.29	10.29	0.72	3639	13.74	9.89	0.72	3806	13.21	9.51	0.72	3981	12.46	8.97	0.72	4240	11.44	8.24	0.72	4503	10.58	7.62	0.72	4674
29	22	15.83	9.50	0.60	3492	15.15	9.09	0.60	3672	14.56	8.74	0.60	3841	14.00	8.40	0.60	4018	13.21	7.93	0.60	4279	12.13	7.28	0.60	4544	11.22	6.73	0.60	4717
29	24	16.78	8.05	0.48	3525	16.05	7.71	0.48	3707	15.44	7.41	0.48	3877	14.84	7.12	0.48	4056	14.00	6.72	0.48	4319	12.86	6.17	0.48	4587	11.89	5.71	0.48	4761
29	26	17.62	6.34	0.36	3558	16.86	6.07	0.36	3741	16.21	5.84	0.36	3913	15.59	5.61	0.36	4093	14.70	5.29	0.36	4359	13.50	4.86	0.36	4629	12.49	4.49	0.36	4805
30	18	14.21	11.65	0.82	3428	13.60	11.15	0.82	3604	13.07	10.72	0.82	3770	12.57	10.31	0.82	3944	11.86	9.72	0.82	4200	10.89	8.93	0.82	4460	10.07	8.26	0.82	4630
30	20	14.93	11.35	0.76	3460	14.29	10.86	0.76	3639	13.74	10.44	0.76	3806	13.21	10.04	0.76	3981	12.46	9.47	0.76	4240	11.44	8.70	0.76	4503	10.58	8.04	0.76	4674
30	22	15.83	10.13	0.64	3492	15.15	9.69	0.64	3672	14.56	9.32	0.64	3841	14.00	8.96	0.64	4018	13.21	8.45	0.64	4279	12.13	7.76	0.64	4544	11.22	7.18	0.64	4717
30	24	16.78	8.72	0.52	3525	16.05	8.35	0.52	3707	15.44	8.03	0.52	3877	14.84	7.72	0.52	4056	14.00	7.28	0.52	4319	12.86	6.68	0.52	4587	11.89	6.18	0.52	4761
30	26	17.62	7.05	0.40	3558	16.86	6.74	0.40	3741	16.21	6.48	0.40	3913	15.59	6.23	0.40	4093	14.70	5.88	0.40	4359	13.50	5.40	0.40	4629	12.49	4.99	0.40	4805
31	18	14.21	11.65	0.82	3428	13.60	11.15	0.82	3604	13.07	10.72	0.82	3770	12.57	10.31	0.82	3944	11.86	9.72	0.82	4200	10.89	8.93	0.82	4460	10.07	8.26	0.82	4630
31	20	14.93	11.95	0.80	3460	14.29	11.43	0.80	3639	13.74	10.99	0.80	3806	13.21	10.57	0.80	3981	12.46	9.97	0.80	4240	11.44	9.15	0.80	4503	10.58	8.47	0.80	4674
31	22	15.83	10.76	0.68	3492	15.15	10.30	0.68	3672	14.56	9.90	0.68	3841	14.00	9.52	0.68	4018	13.21	8.98	0.68	4279	12.13	8.25	0.68	4544	11.22	7.63	0.68	4717
31	24	16.78	9.40	0.56	3525	16.05	8.99	0.56	3707	15.44	8.64	0.56	3877	14.84	8.31	0.56	4056	14.00	7.84	0.56	4319	12.86	7.20	0.56	4587	11.89	6.66	0.56	4761
31	26	17.62	7.75	0.44	3558	16.86	7.42	0.44	3741	16.21	7.13	0.44	3913	15.59	6.86	0.44	4093	14.70	6.47	0.44	4359	13.50	5.94	0.44	4629	12.49	5.49	0.44	4805
32	18	14.21	11.65	0.82	3428	13.60	11.15	0.82	3604	13.07	10.72	0.82	3770	12.57	10.31	0.82	3944	11.86	9.72	0.82	4200	10.89	8.93	0.82	4460	10.07	8.26	0.82	4630
32	20	14.93	12.24	0.82	3460	14.29	11.72	0.82	3639	13.74	11.27	0.82	3806	13.21	10.83	0.82	3981	12.46	10.22	0.82	4240	11.44	9.38	0.82	4503	10.58	8.68	0.82	4674
32	22	15.83	11.40	0.72	3492	15.15	10.91	0.72	3672	14.56	10.49	0.72	3841	14.00	10.08	0.72	4018	13.21	9.51	0.72	4279	12.13	8.73	0.72	4544	11.22	8.08	0.72	4717
32	24	16.78	10.07	0.60	3525	16.05	9.63	0.60	3707	15.44	9.26	0.60	3877	14.84	8.91	0.60	4056	14.00	8.40	0.60	4319	12.86	7.71	0.60	4587	11.89	7.13	0.60	4761
32	26	17.62	8.46	0.48	3558	16.86	8.09	0.48	3741	16.21	7.78	0.48	3913	15.59	7.48	0.48	4093	14.70	7.06	0.48	4359	13.50	6.48	0.48	4629	12.49	5.99	0.48	4805

Remarks:
 Q: Total Cooling Capacity (Gross) **kW**
 SHC: Sensible Heat Capacity (Gross)
 SHF: Sensible Capacity ratio
 INPUT: Power Input (including the compressor, evap. fan motor & cond. fan motor) **W**
 DB: Dry Bulb Temperature
 WB: Wet Bulb Temperature

5. CAPACITIES AND SELECTION DATA

PERFORMANCE DATA (Cooling Operation at Rated Frequency)																													
RPIH-6.0UFE1NH+RAS-6.0UFESM1																													
CAPACITY: 14.19 kW SHF: 0.75 INPUT: 4780 W																													
INDOOR INDOOR DB (°C) WB(°C)		OUTDOOR DB (°C)																											
		21				25				27				30				35				40				46			
		Q	SHC	SHF	INPUT	Q	SHC	SHF	INPUT	Q	SHC	SHF	INPUT	Q	SHC	SHF	INPUT	Q	SHC	SHF	INPUT	Q	SHC	SHF	INPUT	Q	SHC	SHF	INPUT
21	18	16.66	9.50	0.57	3885	15.94	9.09	0.57	4085	15.33	8.74	0.57	4273	14.74	8.40	0.57	4470	13.91	7.93	0.57	4760	12.77	7.28	0.57	5055	11.81	6.73	0.57	5247
21	20	17.51	7.88	0.45	3917	16.76	7.54	0.45	4119	16.11	7.25	0.45	4309	15.49	6.97	0.45	4507	14.62	6.58	0.45	4800	13.42	6.04	0.45	5098	12.41	5.58	0.45	5291
22	18	16.66	10.16	0.61	3885	15.94	9.73	0.61	4085	15.33	9.35	0.61	4273	14.74	8.99	0.61	4470	13.91	8.48	0.61	4760	12.77	7.79	0.61	5055	11.81	7.20	0.61	5247
22	20	17.51	8.58	0.49	3917	16.76	8.21	0.49	4119	16.11	7.90	0.49	4309	15.49	7.59	0.49	4507	14.62	7.16	0.49	4800	13.42	6.57	0.49	5098	12.41	6.08	0.49	5291
22	22	18.56	6.87	0.37	3949	17.76	6.57	0.37	4153	17.08	6.32	0.37	4344	16.42	6.08	0.37	4544	15.49	5.73	0.37	4839	14.22	5.26	0.37	5139	13.16	4.87	0.37	5334
23	18	16.66	10.83	0.65	3885	15.94	10.36	0.65	4085	15.33	9.96	0.65	4273	14.74	9.58	0.65	4470	13.91	9.04	0.65	4760	12.77	8.30	0.65	5055	11.81	7.68	0.65	5247
23	20	17.51	9.28	0.53	3917	16.76	8.88	0.53	4119	16.11	8.54	0.53	4309	15.49	8.21	0.53	4507	14.62	7.75	0.53	4800	13.42	7.11	0.53	5098	12.41	6.58	0.53	5291
23	22	18.56	7.61	0.41	3949	17.76	7.28	0.41	4153	17.08	7.00	0.41	4344	16.42	6.73	0.41	4544	15.49	6.35	0.41	4839	14.22	5.83	0.41	5139	13.16	5.39	0.41	5334
24	18	16.66	11.50	0.69	3885	15.94	11.00	0.69	4085	15.33	10.58	0.69	4273	14.74	10.17	0.69	4470	13.91	9.60	0.69	4760	12.77	8.81	0.69	5055	11.81	8.15	0.69	5247
24	20	17.51	9.98	0.57	3917	16.76	9.55	0.57	4119	16.11	9.18	0.57	4309	15.49	8.83	0.57	4507	14.62	8.33	0.57	4800	13.42	7.65	0.57	5098	12.41	7.07	0.57	5291
24	22	18.56	8.35	0.45	3949	17.76	7.99	0.45	4153	17.08	7.69	0.45	4344	16.42	7.39	0.45	4544	15.49	6.97	0.45	4839	14.22	6.40	0.45	5139	13.16	5.92	0.45	5334
24	24	19.68	6.49	0.33	3982	18.83	6.21	0.33	4187	18.10	5.97	0.33	4380	17.41	5.74	0.33	4581	16.42	5.42	0.33	4879	15.08	4.97	0.33	5181	13.94	4.60	0.33	5378
25	18	16.66	12.16	0.73	3885	15.94	11.64	0.73	4085	15.33	11.19	0.73	4273	14.74	10.76	0.73	4470	13.91	10.15	0.73	4760	12.77	9.32	0.73	5055	11.81	8.62	0.73	5247
25	20	17.51	10.68	0.61	3917	16.76	10.22	0.61	4119	16.11	9.83	0.61	4309	15.49	9.45	0.61	4507	14.62	8.92	0.61	4800	13.42	8.18	0.61	5098	12.41	7.57	0.61	5291
25	22	18.56	9.10	0.49	3949	17.76	8.70	0.49	4153	17.08	8.37	0.49	4344	16.42	8.05	0.49	4544	15.49	7.59	0.49	4839	14.22	6.97	0.49	5139	13.16	6.45	0.49	5334
25	24	19.68	7.28	0.37	3982	18.83	6.97	0.37	4187	18.10	6.70	0.37	4380	17.41	6.44	0.37	4581	16.42	6.08	0.37	4879	15.08	5.58	0.37	5181	13.94	5.16	0.37	5378
26	18	16.66	12.83	0.77	3885	15.94	12.28	0.77	4085	15.33	11.80	0.77	4273	14.74	11.35	0.77	4470	13.91	10.71	0.77	4760	12.77	9.83	0.77	5055	11.81	9.09	0.77	5247
26	20	17.51	11.38	0.65	3917	16.76	10.89	0.65	4119	16.11	10.47	0.65	4309	15.49	10.07	0.65	4507	14.62	9.50	0.65	4800	13.42	8.72	0.65	5098	12.41	8.07	0.65	5291
26	22	18.56	9.84	0.53	3949	17.76	9.41	0.53	4153	17.08	9.05	0.53	4344	16.42	8.70	0.53	4544	15.49	8.21	0.53	4839	14.22	7.54	0.53	5139	13.16	6.97	0.53	5334
26	24	19.68	8.07	0.41	3982	18.83	7.72	0.41	4187	18.10	7.42	0.41	4380	17.41	7.14	0.41	4581	16.42	6.73	0.41	4879	15.08	6.18	0.41	5181	13.94	5.72	0.41	5378
26	26	20.66	5.99	0.29	4015	19.77	5.73	0.29	4221	19.01	5.51	0.29	4416	18.28	5.30	0.29	4619	17.24	5.00	0.29	4919	15.83	4.59	0.29	5224	14.64	4.25	0.29	5422
27	18	16.66	13.50	0.81	3885	15.94	12.91	0.81	4085	15.33	12.42	0.81	4273	14.74	11.94	0.81	4470	13.91	11.26	0.81	4760	12.77	10.34	0.81	5055	11.81	9.56	0.81	5247
27	19	17.00	12.75	0.75	3901	16.27	12.20	0.75	4102	15.64	11.73	0.75	4291	15.04	11.28	0.75	4488	14.19	10.64	0.75	4780	13.03	9.77	0.75	5076	12.05	9.04	0.75	5269
27	20	17.51	12.08	0.69	3917	16.76	11.56	0.69	4119	16.11	11.12	0.69	4309	15.49	10.69	0.69	4507	14.62	10.08	0.69	4800	13.42	9.26	0.69	5098	12.41	8.56	0.69	5291
27	22	18.56	10.58	0.57	3949	17.76	10.12	0.57	4153	17.08	9.74	0.57	4344	16.42	9.36	0.57	4544	15.49	8.83	0.57	4839	14.22	8.11	0.57	5139	13.16	7.50	0.57	5334
27	24	19.68	8.85	0.45	3982	18.83	8.47	0.45	4187	18.10	8.15	0.45	4380	17.41	7.83	0.45	4581	16.42	7.39	0.45	4879	15.08	6.78	0.45	5181	13.94	6.28	0.45	5378
27	26	20.66	6.82	0.33	4015	19.77	6.52	0.33	4221	19.01	6.27	0.33	4416	18.28	6.03	0.33	4619	17.24	5.69	0.33	4919	15.83	5.22	0.33	5224	14.64	4.83	0.33	5422
28	18	16.66	14.16	0.85	3885	15.94	13.55	0.85	4085	15.33	13.03	0.85	4273	14.74	12.53	0.85	4470	13.91	11.82	0.85	4760	12.77	10.85	0.85	5055	11.81	10.04	0.85	5247
28	20	17.51	12.78	0.73	3917	16.76	12.23	0.73	4119	16.11	11.76	0.73	4309	15.49	11.31	0.73	4507	14.62	10.67	0.73	4800	13.42	9.79	0.73	5098	12.41	9.06	0.73	5291
28	22	18.56	11.32	0.61	3949	17.76	10.83	0.61	4153	17.08	10.42	0.61	4344	16.42	10.02	0.61	4544	15.49	9.45	0.61	4839	14.22	8.68	0.61	5139	13.16	8.02	0.61	5334
28	24	19.68	9.64	0.49	3982	18.83	9.23	0.49	4187	18.10	8.87	0.49	4380	17.41	8.53	0.49	4581	16.42	8.05	0.49	4879	15.08	7.39	0.49	5181	13.94	6.83	0.49	5378
28	26	20.66	7.64	0.37	4015	19.77	7.31	0.37	4221	19.01	7.03	0.37	4416	18.28	6.76	0.37	4619	17.24	6.38	0.37	4919	15.83	5.86	0.37	5224	14.64	5.42	0.37	5422
29	18	16.66	14.49	0.87	3885	15.94	13.87	0.87	4085	15.33	13.34	0.87	4273	14.74	12.82	0.87	4470	13.91	12.10	0.87	4760	12.77	11.11	0.87	5055	11.81	10.27	0.87	5247

5. CAPACITIES AND SELECTION DATA

PERFORMANCE DATA (Cooling Operation at Rated Frequency)																													
RPIH-6.0UFE1NH+RAS-6.0UFESMH1																													
CAPACITY: 14.19 kW SHF: 0.75 INPUT: 4780 W																													
INDOOR INDOOR DB (°C) WB(°C)		OUTDOOR DB (°C)																											
		21				25				27				30				35				40				46			
		Q	SHC	SHF	INPUT	Q	SHC	SHF	INPUT	Q	SHC	SHF	INPUT	Q	SHC	SHF	INPUT	Q	SHC	SHF	INPUT	Q	SHC	SHF	INPUT	Q	SHC	SHF	INPUT
29	20	17.51	13.48	0.77	3917	16.76	12.90	0.77	4119	16.11	12.41	0.77	4309	15.49	11.93	0.77	4507	14.62	11.25	0.77	4800	13.42	10.33	0.77	5098	12.41	9.56	0.77	5291
29	22	18.56	12.07	0.65	3949	17.76	11.55	0.65	4153	17.08	11.10	0.65	4344	16.42	10.67	0.65	4544	15.49	10.07	0.65	4839	14.22	9.24	0.65	5139	13.16	8.55	0.65	5334
29	24	19.68	10.43	0.53	3982	18.83	9.98	0.53	4187	18.10	9.60	0.53	4380	17.41	9.23	0.53	4581	16.42	8.70	0.53	4879	15.08	7.99	0.53	5181	13.94	7.39	0.53	5378
29	26	20.66	8.47	0.41	4015	19.77	8.11	0.41	4221	19.01	7.79	0.41	4416	18.28	7.49	0.41	4619	17.24	7.07	0.41	4919	15.83	6.49	0.41	5224	14.64	6.00	0.41	5422
30	18	16.66	14.49	0.87	3885	15.94	13.87	0.87	4085	15.33	13.34	0.87	4273	14.74	12.82	0.87	4470	13.91	12.10	0.87	4760	12.77	11.11	0.87	5055	11.81	10.27	0.87	5247
30	20	17.51	14.18	0.81	3917	16.76	13.57	0.81	4119	16.11	13.05	0.81	4309	15.49	12.55	0.81	4507	14.62	11.84	0.81	4800	13.42	10.87	0.81	5098	12.41	10.05	0.81	5291
30	22	18.56	12.81	0.69	3949	17.76	12.26	0.69	4153	17.08	11.78	0.69	4344	16.42	11.33	0.69	4544	15.49	10.69	0.69	4839	14.22	9.81	0.69	5139	13.16	9.08	0.69	5334
30	24	19.68	11.21	0.57	3982	18.83	10.73	0.57	4187	18.10	10.32	0.57	4380	17.41	9.92	0.57	4581	16.42	9.36	0.57	4879	15.08	8.59	0.57	5181	13.94	7.95	0.57	5378
30	26	20.66	9.30	0.45	4015	19.77	8.90	0.45	4221	19.01	8.55	0.45	4416	18.28	8.23	0.45	4619	17.24	7.76	0.45	4919	15.83	7.12	0.45	5224	14.64	6.59	0.45	5422
31	18	16.66	14.49	0.87	3885	15.94	13.87	0.87	4085	15.33	13.34	0.87	4273	14.74	12.82	0.87	4470	13.91	12.10	0.87	4760	12.77	11.11	0.87	5055	11.81	10.27	0.87	5247
31	20	17.51	14.88	0.85	3917	16.76	14.24	0.85	4119	16.11	13.70	0.85	4309	15.49	13.17	0.85	4507	14.62	12.42	0.85	4800	13.42	11.40	0.85	5098	12.41	10.55	0.85	5291
31	22	18.56	13.55	0.73	3949	17.76	12.97	0.73	4153	17.08	12.47	0.73	4344	16.42	11.99	0.73	4544	15.49	11.31	0.73	4839	14.22	10.38	0.73	5139	13.16	9.60	0.73	5334
31	24	19.68	12.00	0.61	3982	18.83	11.49	0.61	4187	18.10	11.04	0.61	4380	17.41	10.62	0.61	4581	16.42	10.02	0.61	4879	15.08	9.20	0.61	5181	13.94	8.51	0.61	5378
31	26	20.66	10.12	0.49	4015	19.77	9.69	0.49	4221	19.01	9.31	0.49	4416	18.28	8.96	0.49	4619	17.24	8.45	0.49	4919	15.83	7.76	0.49	5224	14.64	7.17	0.49	5422
32	18	16.66	14.49	0.87	3885	15.94	13.87	0.87	4085	15.33	13.34	0.87	4273	14.74	12.82	0.87	4470	13.91	12.10	0.87	4760	12.77	11.11	0.87	5055	11.81	10.27	0.87	5247
32	20	17.51	15.23	0.87	3917	16.76	14.58	0.87	4119	16.11	14.02	0.87	4309	15.49	13.48	0.87	4507	14.62	12.72	0.87	4800	13.42	11.67	0.87	5098	12.41	10.80	0.87	5291
32	22	18.56	14.29	0.77	3949	17.76	13.68	0.77	4153	17.08	13.15	0.77	4344	16.42	12.65	0.77	4544	15.49	11.93	0.77	4839	14.22	10.95	0.77	5139	13.16	10.13	0.77	5334
32	24	19.68	12.79	0.65	3982	18.83	12.24	0.65	4187	18.10	11.77	0.65	4380	17.41	11.31	0.65	4581	16.42	10.67	0.65	4879	15.08	9.80	0.65	5181	13.94	9.06	0.65	5378
32	26	20.66	10.95	0.53	4015	19.77	10.48	0.53	4221	19.01	10.07	0.53	4416	18.28	9.69	0.53	4619	17.24	9.14	0.53	4919	15.83	8.39	0.53	5224	14.64	7.76	0.53	5422

Remarks:
 Q: Total Cooling Capacity (Gross) **kW**
 SHC: Sensible Heat Capacity (Gross)
 SHF: Sensible Capacity ratio
 INPUT: Power Input (including the compressor, evap. fan motor & cond. fan motor) **W**
 DB: Dry Bulb Temperature
 WB: Wet Bulb Temperature

5. CAPACITIES AND SELECTION DATA

PERFORMANCE DATA (Cooling Operation at Rated Frequency)																													
RPIH-6.5UFE1NH+RAS-6.5UFESMH1																													
CAPACITY: 17.10 kW SHF: 0.70 INPUT: 6600 W																													
INDOOR INDOOR DB (°C) WB(°C)		OUTDOOR DB (°C)																											
		21				25				27				30				35				40				46			
		Q	SHC	SHF	INPUT	Q	SHC	SHF	INPUT	Q	SHC	SHF	INPUT	Q	SHC	SHF	INPUT	Q	SHC	SHF	INPUT	Q	SHC	SHF	INPUT	Q	SHC	SHF	INPUT
21	18	20.08	10.44	0.52	5370	19.21	9.99	0.52	5647	18.47	9.61	0.52	5907	17.76	9.24	0.52	6179	16.76	8.71	0.52	6580	15.38	8.00	0.52	6988	14.23	7.40	0.52	7254
21	20	21.10	8.44	0.40	5403	20.19	8.08	0.40	5681	19.42	7.77	0.40	5943	18.67	7.47	0.40	6216	17.61	7.05	0.40	6620	16.17	6.47	0.40	7030	14.96	5.98	0.40	7298
22	18	20.08	11.24	0.56	5370	19.21	10.76	0.56	5647	18.47	10.35	0.56	5907	17.76	9.95	0.56	6179	16.76	9.38	0.56	6580	15.38	8.61	0.56	6988	14.23	7.97	0.56	7254
22	20	21.10	9.28	0.44	5403	20.19	8.89	0.44	5681	19.42	8.54	0.44	5943	18.67	8.21	0.44	6216	17.61	7.75	0.44	6620	16.17	7.11	0.44	7030	14.96	6.58	0.44	7298
22	22	22.37	7.16	0.32	5435	21.40	6.85	0.32	5715	20.58	6.59	0.32	5978	19.79	6.33	0.32	6253	18.67	5.97	0.32	6659	17.14	5.48	0.32	7072	15.85	5.07	0.32	7341
23	18	20.08	12.05	0.60	5370	19.21	11.53	0.60	5647	18.47	11.08	0.60	5907	17.76	10.66	0.60	6179	16.76	10.05	0.60	6580	15.38	9.23	0.60	6988	14.23	8.54	0.60	7254
23	20	21.10	10.13	0.48	5403	20.19	9.69	0.48	5681	19.42	9.32	0.48	5943	18.67	8.96	0.48	6216	17.61	8.45	0.48	6620	16.17	7.76	0.48	7030	14.96	7.18	0.48	7298
23	22	22.37	8.05	0.36	5435	21.40	7.71	0.36	5715	20.58	7.41	0.36	5978	19.79	7.12	0.36	6253	18.67	6.72	0.36	6659	17.14	6.17	0.36	7072	15.85	5.71	0.36	7341
24	18	20.08	12.85	0.64	5370	19.21	12.30	0.64	5647	18.47	11.82	0.64	5907	17.76	11.37	0.64	6179	16.76	10.73	0.64	6580	15.38	9.85	0.64	6988	14.23	9.11	0.64	7254
24	20	21.10	10.97	0.52	5403	20.19	10.50	0.52	5681	19.42	10.10	0.52	5943	18.67	9.71	0.52	6216	17.61	9.16	0.52	6620	16.17	8.41	0.52	7030	14.96	7.78	0.52	7298
24	22	22.37	8.95	0.40	5435	21.40	8.56	0.40	5715	20.58	8.23	0.40	5978	19.79	7.92	0.40	6253	18.67	7.47	0.40	6659	17.14	6.86	0.40	7072	15.85	6.34	0.40	7341
24	24	23.71	6.64	0.28	5467	22.69	6.35	0.28	5749	21.82	6.11	0.28	6014	20.98	5.87	0.28	6290	19.79	5.54	0.28	6699	18.17	5.09	0.28	7114	16.80	4.71	0.28	7385
25	18	20.08	13.65	0.68	5370	19.21	13.06	0.68	5647	18.47	12.56	0.68	5907	17.76	12.08	0.68	6179	16.76	11.40	0.68	6580	15.38	10.46	0.68	6988	14.23	9.68	0.68	7254
25	20	21.10	11.82	0.56	5403	20.19	11.31	0.56	5681	19.42	10.87	0.56	5943	18.67	10.46	0.56	6216	17.61	9.86	0.56	6620	16.17	9.05	0.56	7030	14.96	8.38	0.56	7298
25	22	22.37	9.84	0.44	5435	21.40	9.42	0.44	5715	20.58	9.06	0.44	5978	19.79	8.71	0.44	6253	18.67	8.21	0.44	6659	17.14	7.54	0.44	7072	15.85	6.98	0.44	7341
25	24	23.71	7.59	0.32	5467	22.69	7.26	0.32	5749	21.82	6.98	0.32	6014	20.98	6.71	0.32	6290	19.79	6.33	0.32	6699	18.17	5.81	0.32	7114	16.80	5.38	0.32	7385
26	18	20.08	14.46	0.72	5370	19.21	13.83	0.72	5647	18.47	13.30	0.72	5907	17.76	12.79	0.72	6179	16.76	12.07	0.72	6580	15.38	11.08	0.72	6988	14.23	10.25	0.72	7254
26	20	21.10	12.66	0.60	5403	20.19	12.12	0.60	5681	19.42	11.65	0.60	5943	18.67	11.20	0.60	6216	17.61	10.57	0.60	6620	16.17	9.70	0.60	7030	14.96	8.97	0.60	7298
26	22	22.37	10.74	0.48	5435	21.40	10.27	0.48	5715	20.58	9.88	0.48	5978	19.79	9.50	0.48	6253	18.67	8.96	0.48	6659	17.14	8.23	0.48	7072	15.85	7.61	0.48	7341
26	24	23.71	8.54	0.36	5467	22.69	8.17	0.36	5749	21.82	7.85	0.36	6014	20.98	7.55	0.36	6290	19.79	7.12	0.36	6699	18.17	6.54	0.36	7114	16.80	6.05	0.36	7385
26	26	24.90	5.97	0.24	5500	23.82	5.72	0.24	5783	22.91	5.50	0.24	6049	22.03	5.29	0.24	6328	20.78	4.99	0.24	6739	19.08	4.58	0.24	7157	17.64	4.23	0.24	7429
27	18	20.08	15.26	0.76	5370	19.21	14.60	0.76	5647	18.47	14.04	0.76	5907	17.76	13.50	0.76	6179	16.76	12.74	0.76	6580	15.38	11.69	0.76	6988	14.23	10.81	0.76	7254
27	19	20.49	14.34	0.70	5386	19.61	13.72	0.70	5664	18.85	13.20	0.70	5925	18.13	12.69	0.70	6197	17.10	11.97	0.70	6600	15.70	10.99	0.70	7009	14.52	10.16	0.70	7276
27	20	21.10	13.51	0.64	5403	20.19	12.92	0.64	5681	19.42	12.43	0.64	5943	18.67	11.95	0.64	6216	17.61	11.27	0.64	6620	16.17	10.35	0.64	7030	14.96	9.57	0.64	7298
27	22	22.37	11.63	0.52	5435	21.40	11.13	0.52	5715	20.58	10.70	0.52	5978	19.79	10.29	0.52	6253	18.67	9.71	0.52	6659	17.14	8.91	0.52	7072	15.85	8.24	0.52	7341
27	24	23.71	9.48	0.40	5467	22.69	9.08	0.40	5749	21.82	8.73	0.40	6014	20.98	8.39	0.40	6290	19.79	7.92	0.40	6699	18.17	7.27	0.40	7114	16.80	6.72	0.40	7385
27	26	24.90	6.97	0.28	5500	23.82	6.67	0.28	5783	22.91	6.41	0.28	6049	22.03	6.17	0.28	6328	20.78	5.82	0.28	6739	19.08	5.34	0.28	7157	17.64	4.94	0.28	7429
28	18	20.08	16.06	0.80	5370	19.21	15.37	0.80	5647	18.47	14.78	0.80	5907	17.76	14.21	0.80	6179	16.76	13.41	0.80	6580	15.38	12.31	0.80	6988	14.23	11.38	0.80	7254
28	20	21.10	14.35	0.68	5403	20.19	13.73	0.68	5681	19.42	13.20	0.68	5943	18.67	12.70	0.68	6216	17.61	11.98	0.68	6620	16.17	10.99	0.68	7030	14.96	10.17	0.68	7298
28	22	22.37	12.53	0.56	5435	21.40	11.99	0.56	5715	20.58	11.53	0.56	5978	19.79	11.08	0.56	6253	18.67	10.46	0.56	6659	17.14	9.60	0.56	7072	15.85	8.88	0.56	7341
28	24	23.71	10.43	0.44	5467	22.69	9.98	0.44	5749	21.82	9.60	0.44	6014	20.98	9.23	0.44	6290	19.79	8.71	0.44	6699	18.17	7.99	0.44	7114	16.80	7.39	0.44	7385
28	26	24.90	7.97	0.32	5500	23.82	7.62	0.32	5783	22.91	7.33	0.32	6049	22.03	7.05	0.32	6328	20.78	6.65	0.32	6739	19.08	6.10	0.32	7157	17.64	5.65	0.32	7429

5. CAPACITIES AND SELECTION DATA

INDOOR INDOOR DB (°C) WB(°C)		PERFORMANCE DATA (Cooling Operation at Rated Frequency)																											
		RPIH-6.5UFE1NH+RAS-6.5UFESMH1																											
		CAPACITY: 17.10 kW SHF: 0.70 INPUT: 6600 W																											
		OUTDOOR DB (°C)																											
		21				25				27				3				35				40				46			
		Q	SHC	SHF	INPUT	Q	SHC	SHF	INPUT	Q	SHC	SHF	INPUT	Q	SHC	SHF	INPUT	Q	SHC	SHF	INPUT	Q	SHC	SHF	INPUT	Q	SHC	SHF	INPUT
29	18	20.08	16.46	0.82	5370	19.21	15.75	0.82	5647	18.47	15.15	0.82	5907	17.76	14.57	0.82	6179	16.76	13.74	0.82	6580	15.38	12.61	0.82	6988	14.23	11.67	0.82	7254
29	20	21.10	15.19	0.72	5403	20.19	14.54	0.72	5681	19.42	13.98	0.72	5943	18.67	13.44	0.72	6216	17.61	12.68	0.72	6620	16.17	11.64	0.72	7030	14.96	10.77	0.72	7298
29	22	22.37	13.42	0.60	5435	21.40	12.84	0.60	5715	20.58	12.35	0.60	5978	19.79	11.87	0.60	6253	18.67	11.20	0.60	6659	17.14	10.28	0.60	7072	15.85	9.51	0.60	7341
29	24	23.71	11.38	0.48	5467	22.69	10.89	0.48	5749	21.82	10.47	0.48	6014	20.98	10.07	0.48	6290	19.79	9.50	0.48	6699	18.17	8.72	0.48	7114	16.80	8.07	0.48	7385
29	26	24.90	8.96	0.36	5500	23.82	8.58	0.36	5783	22.91	8.25	0.36	6049	22.03	7.93	0.36	6328	20.78	7.48	0.36	6739	19.08	6.87	0.36	7157	17.64	6.35	0.36	7429
30	18	20.08	16.46	0.82	5370	19.21	15.75	0.82	5647	18.47	15.15	0.82	5907	17.76	14.57	0.82	6179	16.76	13.74	0.82	6580	15.38	12.61	0.82	6988	14.23	11.67	0.82	7254
30	20	21.10	16.04	0.76	5403	20.19	15.35	0.76	5681	19.42	14.76	0.76	5943	18.67	14.19	0.76	6216	17.61	13.39	0.76	6620	16.17	12.29	0.76	7030	14.96	11.37	0.76	7298
30	22	22.37	14.32	0.64	5435	21.40	13.70	0.64	5715	20.58	13.17	0.64	5978	19.79	12.67	0.64	6253	18.67	11.95	0.64	6659	17.14	10.97	0.64	7072	15.85	10.15	0.64	7341
30	24	23.71	12.33	0.52	5467	22.69	11.80	0.52	5749	21.82	11.34	0.52	6014	20.98	10.91	0.52	6290	19.79	10.29	0.52	6699	18.17	9.45	0.52	7114	16.80	8.74	0.52	7385
30	26	24.90	9.96	0.40	5500	23.82	9.53	0.40	5783	22.91	9.16	0.40	6049	22.03	8.81	0.40	6328	20.78	8.31	0.40	6739	19.08	7.63	0.40	7157	17.64	7.06	0.40	7429
31	18	20.08	16.46	0.82	5370	19.21	15.75	0.82	5647	18.47	15.15	0.82	5907	17.76	14.57	0.82	6179	16.76	13.74	0.82	6580	15.38	12.61	0.82	6988	14.23	11.67	0.82	7254
31	20	21.10	16.88	0.80	5403	20.19	16.15	0.80	5681	19.42	15.53	0.80	5943	18.67	14.94	0.80	6216	17.61	14.09	0.80	6620	16.17	12.93	0.80	7030	14.96	11.96	0.80	7298
31	22	22.37	15.21	0.68	5435	21.40	14.56	0.68	5715	20.58	14.00	0.68	5978	19.79	13.46	0.68	6253	18.67	12.70	0.68	6659	17.14	11.65	0.68	7072	15.85	10.78	0.68	7341
31	24	23.71	13.28	0.56	5467	22.69	12.71	0.56	5749	21.82	12.22	0.56	6014	20.98	11.75	0.56	6290	19.79	11.08	0.56	6699	18.17	10.17	0.56	7114	16.80	9.41	0.56	7385
31	26	24.90	10.95	0.44	5500	23.82	10.48	0.44	5783	22.91	10.08	0.44	6049	22.03	9.69	0.44	6328	20.78	9.14	0.44	6739	19.08	8.39	0.44	7157	17.64	7.76	0.44	7429
32	18	20.08	16.46	0.82	5370	19.21	15.75	0.82	5647	18.47	15.15	0.82	5907	17.76	14.57	0.82	6179	16.76	13.74	0.82	6580	15.38	12.61	0.82	6988	14.23	11.67	0.82	7254
32	20	21.10	17.30	0.82	5403	20.19	16.56	0.82	5681	19.42	15.92	0.82	5943	18.67	15.31	0.82	6216	17.61	14.44	0.82	6620	16.17	13.26	0.82	7030	14.96	12.26	0.82	7298
32	22	22.37	16.10	0.72	5435	21.40	15.41	0.72	5715	20.58	14.82	0.72	5978	19.79	14.25	0.72	6253	18.67	13.44	0.72	6659	17.14	12.34	0.72	7072	15.85	11.41	0.72	7341
32	24	23.71	14.23	0.60	5467	22.69	13.61	0.60	5749	21.82	13.09	0.60	6014	20.98	12.59	0.60	6290	19.79	11.87	0.60	6699	18.17	10.90	0.60	7114	16.80	10.08	0.60	7385
32	26	24.90	11.95	0.48	5500	23.82	11.44	0.48	5783	22.91	11.00	0.48	6049	22.03	10.57	0.48	6328	20.78	9.97	0.48	6739	19.08	9.16	0.48	7157	17.64	8.47	0.48	7429

Remarks:
 Q: Total Cooling Capacity (Gross) kW
 SHC: Sensible Heat Capacity (Gross)
 SHF: Sensible Capacity ratio
 INPUT: Power Input (including the compressor, evap. fan motor & cond. fan motor) W
 DB: Dry Bulb Temperature
 WB: Wet Bulb Temperature

5. CAPACITIES AND SELECTION DATA

INDOOR DB(°C) WB(°C)		PERFORMANCE DATA (Cooling Operation at Rated Frequency)																											
		RPIH-5.0UFE1NH+RAS-5.0UFESNH1																											
		CAPACITY: 12.50 kW SHF: 0.70 INPUT: 4380 W																											
		OUTDOOR DB (°C)																											
		21				25				27				30				35				40				46			
		Q	SHC	SHF	INPUT	Q	SHC	SHF	INPUT	Q	SHC	SHF	INPUT	Q	SHC	SHF	INPUT	Q	SHC	SHF	INPUT	Q	SHC	SHF	INPUT	Q	SHC	SHF	INPUT
21	18	14.68	7.63	0.52	3558	14.04	7.30	0.52	3742	13.50	7.02	0.52	3914	12.99	6.75	0.52	4094	12.25	6.37	0.52	4360	11.25	5.85	0.52	4630	10.40	5.41	0.52	4806
21	20	15.43	6.17	0.40	3591	14.76	5.90	0.40	3776	14.19	5.68	0.40	3950	13.65	5.46	0.40	4132	12.88	5.15	0.40	4400	11.82	4.73	0.40	4673	10.93	4.37	0.40	4850
22	18	14.68	8.22	0.56	3558	14.04	7.86	0.56	3742	13.50	7.56	0.56	3914	12.99	7.27	0.56	4094	12.25	6.86	0.56	4360	11.25	6.30	0.56	4630	10.40	5.83	0.56	4806
22	20	15.43	6.79	0.44	3591	14.76	6.49	0.44	3776	14.19	6.25	0.44	3950	13.65	6.00	0.44	4132	12.88	5.67	0.44	4400	11.82	5.20	0.44	4673	10.93	4.81	0.44	4850
22	22	16.35	5.23	0.32	3623	15.65	5.01	0.32	3809	15.05	4.81	0.32	3985	14.47	4.63	0.32	4168	13.65	4.37	0.32	4439	12.53	4.01	0.32	4714	11.59	3.71	0.32	4893
23	18	14.68	8.81	0.60	3558	14.04	8.43	0.60	3742	13.50	8.10	0.60	3914	12.99	7.79	0.60	4094	12.25	7.35	0.60	4360	11.25	6.75	0.60	4630	10.40	6.24	0.60	4806
23	20	15.43	7.40	0.48	3591	14.76	7.09	0.48	3776	14.19	6.81	0.48	3950	13.65	6.55	0.48	4132	12.88	6.18	0.48	4400	11.82	5.67	0.48	4673	10.93	5.25	0.48	4850
23	22	16.35	5.89	0.36	3623	15.65	5.63	0.36	3809	15.05	5.42	0.36	3985	14.47	5.21	0.36	4168	13.65	4.91	0.36	4439	12.53	4.51	0.36	4714	11.59	4.17	0.36	4893
24	18	14.68	9.39	0.64	3558	14.04	8.99	0.64	3742	13.50	8.64	0.64	3914	12.99	8.31	0.64	4094	12.25	7.84	0.64	4360	11.25	7.20	0.64	4630	10.40	6.66	0.64	4806
24	20	15.43	8.02	0.52	3591	14.76	7.68	0.52	3776	14.19	7.38	0.52	3950	13.65	7.10	0.52	4132	12.88	6.70	0.52	4400	11.82	6.15	0.52	4673	10.93	5.69	0.52	4850
24	22	16.35	6.54	0.40	3623	15.65	6.26	0.40	3809	15.05	6.02	0.40	3985	14.47	5.79	0.40	4168	13.65	5.46	0.40	4439	12.53	5.01	0.40	4714	11.59	4.64	0.40	4893
24	24	17.33	4.85	0.28	3655	16.59	4.64	0.28	3844	15.95	4.47	0.28	4021	15.33	4.29	0.28	4206	14.47	4.05	0.28	4479	13.28	3.72	0.28	4757	12.28	3.44	0.28	4937
25	18	14.68	9.98	0.68	3558	14.04	9.55	0.68	3742	13.50	9.18	0.68	3914	12.99	8.83	0.68	4094	12.25	8.33	0.68	4360	11.25	7.65	0.68	4630	10.40	7.07	0.68	4806
25	20	15.43	8.64	0.56	3591	14.76	8.27	0.56	3776	14.19	7.95	0.56	3950	13.65	7.64	0.56	4132	12.88	7.21	0.56	4400	11.82	6.62	0.56	4673	10.93	6.12	0.56	4850
25	22	16.35	7.19	0.44	3623	15.65	6.88	0.44	3809	15.05	6.62	0.44	3985	14.47	6.37	0.44	4168	13.65	6.00	0.44	4439	12.53	5.51	0.44	4714	11.59	5.10	0.44	4893
25	24	17.33	5.55	0.32	3655	16.59	5.31	0.32	3844	15.95	5.10	0.32	4021	15.33	4.91	0.32	4206	14.47	4.63	0.32	4479	13.28	4.25	0.32	4757	12.28	3.93	0.32	4937
26	18	14.68	10.57	0.72	3558	14.04	10.11	0.72	3742	13.50	9.72	0.72	3914	12.99	9.35	0.72	4094	12.25	8.82	0.72	4360	11.25	8.10	0.72	4630	10.40	7.49	0.72	4806
26	20	15.43	9.26	0.60	3591	14.76	8.86	0.60	3776	14.19	8.52	0.60	3950	13.65	8.19	0.60	4132	12.88	7.73	0.60	4400	11.82	7.09	0.60	4673	10.93	6.56	0.60	4850
26	22	16.35	7.85	0.48	3623	15.65	7.51	0.48	3809	15.05	7.22	0.48	3985	14.47	6.94	0.48	4168	13.65	6.55	0.48	4439	12.53	6.01	0.48	4714	11.59	5.56	0.48	4893
26	24	17.33	6.24	0.36	3655	16.59	5.97	0.36	3844	15.95	5.74	0.36	4021	15.33	5.52	0.36	4206	14.47	5.21	0.36	4479	13.28	4.78	0.36	4757	12.28	4.42	0.36	4937
26	26	18.20	4.37	0.24	3688	17.41	4.18	0.24	3878	16.75	4.02	0.24	4057	16.10	3.86	0.24	4243	15.19	3.65	0.24	4519	13.94	3.35	0.24	4799	12.90	3.10	0.24	4982
27	18	14.68	11.15	0.76	3558	14.04	10.67	0.76	3742	13.50	10.26	0.76	3914	12.99	9.87	0.76	4094	12.25	9.31	0.76	4360	11.25	8.55	0.76	4630	10.40	7.91	0.76	4806
27	19	14.98	10.48	0.70	3575	14.33	10.03	0.70	3759	13.78	9.65	0.70	3932	13.25	9.28	0.70	4113	12.50	8.75	0.70	4380	11.48	8.03	0.70	4652	10.61	7.43	0.70	4828
27	20	15.43	9.87	0.64	3591	14.76	9.45	0.64	3776	14.19	9.08	0.64	3950	13.65	8.73	0.64	4132	12.88	8.24	0.64	4400	11.82	7.56	0.64	4673	10.93	7.00	0.64	4850
27	22	16.35	8.50	0.52	3623	15.65	8.14	0.52	3809	15.05	7.82	0.52	3985	14.47	7.52	0.52	4168	13.65	7.10	0.52	4439	12.53	6.51	0.52	4714	11.59	6.03	0.52	4893
27	24	17.33	6.93	0.40	3655	16.59	6.63	0.40	3844	15.95	6.38	0.40	4021	15.33	6.13	0.40	4206	14.47	5.79	0.40	4479	13.28	5.31	0.40	4757	12.28	4.91	0.40	4937
27	26	18.20	5.10	0.28	3688	17.41	4.88	0.28	3878	16.75	4.69	0.28	4057	16.10	4.51	0.28	4243	15.19	4.25	0.28	4519	13.94	3.90	0.28	4799	12.90	3.61	0.28	4982
28	18	14.68	11.74	0.80	3558	14.04	11.24	0.80	3742	13.50	10.80	0.80	3914	12.99	10.39	0.80	4094	12.25	9.80	0.80	4360	11.25	9.00	0.80	4630	10.40	8.32	0.80	4806
28	20	15.43	10.49	0.68	3591	14.76	10.04	0.68	3776	14.19	9.65	0.68	3950	13.65	9.28	0.68	4132	12.88	8.76	0.68	4400	11.82	8.04	0.68	4673	10.93	7.43	0.68	4850
28	22	16.35	9.16	0.56	3623	15.65	8.76	0.56	3809	15.05	8.43	0.56	3985	14.47	8.10	0.56	4168	13.65	7.64	0.56	4439	12.53	7.02	0.56	4714	11.59	6.49	0.56	4893
28	24	17.33	7.63	0.44	3655	16.59	7.30	0.44	3844	15.95	7.02	0.44	4021	15.33	6.75	0.44	4206	14.47	6.37	0.44	4479	13.28	5.84	0.44	4757	12.28	5.41	0.44	4937
28	26	18.20	5.82	0.32	3688	17.41	5.57	0.32	3878	16.75	5.36	0.32	4057	16.10	5.15	0.32	4243	15.19	4.86	0.32	4519	13.94	4.46	0.32	4799	12.90	4.13	0.32	4982

5. CAPACITIES AND SELECTION DATA

PERFORMANCE DATA (Cooling Operation at Rated Frequency)																													
RPIH-5.0UFE1NH+RAS-5.0UFESNH1																													
CAPACITY: 12.50 kW SHF: 0.70 INPUT: 4380 W																													
INDOOR DB(°C) WB(°C)		OUTDOOR DB (°C)																											
		21				25				27				30				35				40				46			
		Q	SHC	SHF	INPUT	Q	SHC	SHF	INPUT	Q	SHC	SHF	INPUT	Q	SHC	SHF	INPUT	Q	SHC	SHF	INPUT	Q	SHC	SHF	INPUT	Q	SHC	SHF	INPUT
29	18	14.68	12.03	0.82	3558	14.04	11.52	0.82	3742	13.50	11.07	0.82	3914	12.99	10.65	0.82	4094	12.25	10.05	0.82	4360	11.25	9.22	0.82	4630	10.40	8.53	0.82	4806
29	20	15.43	11.11	0.72	3591	14.76	10.63	0.72	3776	14.19	10.22	0.72	3950	13.65	9.83	0.72	4132	12.88	9.27	0.72	4400	11.82	8.51	0.72	4673	10.93	7.87	0.72	4850
29	22	16.35	9.81	0.60	3623	15.65	9.39	0.60	3809	15.05	9.03	0.60	3985	14.47	8.68	0.60	4168	13.65	8.19	0.60	4439	12.53	7.52	0.60	4714	11.59	6.95	0.60	4893
29	24	17.33	8.32	0.48	3655	16.59	7.96	0.48	3844	15.95	7.65	0.48	4021	15.33	7.36	0.48	4206	14.47	6.94	0.48	4479	13.28	6.37	0.48	4757	12.28	5.90	0.48	4937
29	26	18.20	6.55	0.36	3688	17.41	6.27	0.36	3878	16.75	6.03	0.36	4057	16.10	5.80	0.36	4243	15.19	5.47	0.36	4519	13.94	5.02	0.36	4799	12.90	4.64	0.36	4982
30	18	14.68	12.03	0.82	3558	14.04	11.52	0.82	3742	13.50	11.07	0.82	3914	12.99	10.65	0.82	4094	12.25	10.05	0.82	4360	11.25	9.22	0.82	4630	10.40	8.53	0.82	4806
30	20	15.43	11.72	0.76	3591	14.76	11.22	0.76	3776	14.19	10.79	0.76	3950	13.65	10.37	0.76	4132	12.88	9.79	0.76	4400	11.82	8.98	0.76	4673	10.93	8.31	0.76	4850
30	22	16.35	10.46	0.64	3623	15.65	10.01	0.64	3809	15.05	9.63	0.64	3985	14.47	9.26	0.64	4168	13.65	8.73	0.64	4439	12.53	8.02	0.64	4714	11.59	7.42	0.64	4893
30	24	17.33	9.01	0.52	3655	16.59	8.62	0.52	3844	15.95	8.29	0.52	4021	15.33	7.97	0.52	4206	14.47	7.52	0.52	4479	13.28	6.91	0.52	4757	12.28	6.39	0.52	4937
30	26	18.20	7.28	0.40	3688	17.41	6.97	0.40	3878	16.75	6.70	0.40	4057	16.10	6.44	0.40	4243	15.19	6.08	0.40	4519	13.94	5.58	0.40	4799	12.90	5.16	0.40	4982
31	18	14.68	12.03	0.82	3558	14.04	11.52	0.82	3742	13.50	11.07	0.82	3914	12.99	10.65	0.82	4094	12.25	10.05	0.82	4360	11.25	9.22	0.82	4630	10.40	8.53	0.82	4806
31	20	15.43	12.34	0.80	3591	14.76	11.81	0.80	3776	14.19	11.35	0.80	3950	13.65	10.92	0.80	4132	12.88	10.30	0.80	4400	11.82	9.46	0.80	4673	10.93	8.75	0.80	4850
31	22	16.35	11.12	0.68	3623	15.65	10.64	0.68	3809	15.05	10.23	0.68	3985	14.47	9.84	0.68	4168	13.65	9.28	0.68	4439	12.53	8.52	0.68	4714	11.59	7.88	0.68	4893
31	24	17.33	9.71	0.56	3655	16.59	9.29	0.56	3844	15.95	8.93	0.56	4021	15.33	8.59	0.56	4206	14.47	8.10	0.56	4479	13.28	7.44	0.56	4757	12.28	6.88	0.56	4937
31	26	18.20	8.01	0.44	3688	17.41	7.66	0.44	3878	16.75	7.37	0.44	4057	16.10	7.08	0.44	4243	15.19	6.68	0.44	4519	13.94	6.14	0.44	4799	12.90	5.68	0.44	4982
32	18	14.68	12.03	0.82	3558	14.04	11.52	0.82	3742	13.50	11.07	0.82	3914	12.99	10.65	0.82	4094	12.25	10.05	0.82	4360	11.25	9.22	0.82	4630	10.40	8.53	0.82	4806
32	20	15.43	12.65	0.82	3591	14.76	12.10	0.82	3776	14.19	11.64	0.82	3950	13.65	11.19	0.82	4132	12.88	10.56	0.82	4400	11.82	9.69	0.82	4673	10.93	8.96	0.82	4850
32	22	16.35	11.77	0.72	3623	15.65	11.27	0.72	3809	15.05	10.83	0.72	3985	14.47	10.42	0.72	4168	13.65	9.83	0.72	4439	12.53	9.02	0.72	4714	11.59	8.34	0.72	4893
32	24	17.33	10.40	0.60	3655	16.59	9.95	0.60	3844	15.95	9.57	0.60	4021	15.33	9.20	0.60	4206	14.47	8.68	0.60	4479	13.28	7.97	0.60	4757	12.28	7.37	0.60	4937
32	26	18.20	8.74	0.48	3688	17.41	8.36	0.48	3878	16.75	8.04	0.48	4057	16.10	7.73	0.48	4243	15.19	7.29	0.48	4519	13.94	6.69	0.48	4799	12.90	6.19	0.48	4982

Remarks:
 Q: Total Cooling Capacity (Gross) **kW**
 SHC: Sensible Heat Capacity (Gross)
 SHF: Sensible Capacity ratio
 INPUT: Power Input (including the compressor, evap. fan motor & cond. fan motor) **W**
 DB: Dry Bulb Temperature
 WB: Wet Bulb Temperature

5. CAPACITIES AND SELECTION DATA

PERFORMANCE DATA (Cooling Operation at Rated Frequency)																													
RPIH-6.0UFE1NH+RAS-6.0UFESNH1																													
CAPACITY: 14.10 kW SHF: 0.75 INPUT: 4780 W																													
INDOOR DB(°C)		OUTDOOR DB (°C)																											
		21				25				27				30				35				40				46			
		Q	SHC	SHF	INPUT	Q	SHC	SHF	INPUT	Q	SHC	SHF	INPUT	Q	SHC	SHF	INPUT	Q	SHC	SHF	INPUT	Q	SHC	SHF	INPUT	Q	SHC	SHF	INPUT
21	18	16.56	9.44	0.57	3885	15.84	9.03	0.57	4085	15.23	8.68	0.57	4273	14.65	8.35	0.57	4470	13.82	7.88	0.57	4760	12.68	7.23	0.57	5055	11.73	6.69	0.57	5247
21	20	17.40	7.83	0.45	3917	16.65	7.49	0.45	4119	16.01	7.20	0.45	4309	15.39	6.93	0.45	4507	14.52	6.54	0.45	4800	13.33	6.00	0.45	5098	12.33	5.55	0.45	5291
22	18	16.56	10.10	0.61	3885	15.84	9.66	0.61	4085	15.23	9.29	0.61	4273	14.65	8.93	0.61	4470	13.82	8.43	0.61	4760	12.68	7.74	0.61	5055	11.73	7.16	0.61	5247
22	20	17.40	8.53	0.49	3917	16.65	8.16	0.49	4119	16.01	7.84	0.49	4309	15.39	7.54	0.49	4507	14.52	7.12	0.49	4800	13.33	6.53	0.49	5098	12.33	6.04	0.49	5291
22	22	18.44	6.82	0.37	3949	17.65	6.53	0.37	4153	16.97	6.28	0.37	4344	16.32	6.04	0.37	4544	15.39	5.70	0.37	4839	14.13	5.23	0.37	5139	13.07	4.84	0.37	5334
23	18	16.56	10.76	0.65	3885	15.84	10.30	0.65	4085	15.23	9.90	0.65	4273	14.65	9.52	0.65	4470	13.82	8.98	0.65	4760	12.68	8.25	0.65	5055	11.73	7.63	0.65	5247
23	20	17.40	9.22	0.53	3917	16.65	8.82	0.53	4119	16.01	8.49	0.53	4309	15.39	8.16	0.53	4507	14.52	7.70	0.53	4800	13.33	7.07	0.53	5098	12.33	6.54	0.53	5291
23	22	18.44	7.56	0.41	3949	17.65	7.24	0.41	4153	16.97	6.96	0.41	4344	16.32	6.69	0.41	4544	15.39	6.31	0.41	4839	14.13	5.79	0.41	5139	13.07	5.36	0.41	5334
24	18	16.56	11.42	0.69	3885	15.84	10.93	0.69	4085	15.23	10.51	0.69	4273	14.65	10.11	0.69	4470	13.82	9.53	0.69	4760	12.68	8.75	0.69	5055	11.73	8.10	0.69	5247
24	20	17.40	9.92	0.57	3917	16.65	9.49	0.57	4119	16.01	9.13	0.57	4309	15.39	8.77	0.57	4507	14.52	8.28	0.57	4800	13.33	7.60	0.57	5098	12.33	7.03	0.57	5291
24	22	18.44	8.30	0.45	3949	17.65	7.94	0.45	4153	16.97	7.64	0.45	4344	16.32	7.34	0.45	4544	15.39	6.93	0.45	4839	14.13	6.36	0.45	5139	13.07	5.88	0.45	5334
24	24	19.55	6.45	0.33	3982	18.71	6.17	0.33	4187	17.99	5.94	0.33	4380	17.30	5.71	0.33	4581	16.32	5.38	0.33	4879	14.98	4.94	0.33	5181	13.86	4.57	0.33	5378
25	18	16.56	12.09	0.73	3885	15.84	11.56	0.73	4085	15.23	11.12	0.73	4273	14.65	10.69	0.73	4470	13.82	10.09	0.73	4760	12.68	9.26	0.73	5055	11.73	8.57	0.73	5247
25	20	17.40	10.61	0.61	3917	16.65	10.16	0.61	4119	16.01	9.77	0.61	4309	15.39	9.39	0.61	4507	14.52	8.86	0.61	4800	13.33	8.13	0.61	5098	12.33	7.52	0.61	5291
25	22	18.44	9.04	0.49	3949	17.65	8.65	0.49	4153	16.97	8.32	0.49	4344	16.32	8.00	0.49	4544	15.39	7.54	0.49	4839	14.13	6.92	0.49	5139	13.07	6.41	0.49	5334
25	24	19.55	7.23	0.37	3982	18.71	6.92	0.37	4187	17.99	6.66	0.37	4380	17.30	6.40	0.37	4581	16.32	6.04	0.37	4879	14.98	5.54	0.37	5181	13.86	5.13	0.37	5378
26	18	16.56	12.75	0.77	3885	15.84	12.20	0.77	4085	15.23	11.73	0.77	4273	14.65	11.28	0.77	4470	13.82	10.64	0.77	4760	12.68	9.77	0.77	5055	11.73	9.03	0.77	5247
26	20	17.40	11.31	0.65	3917	16.65	10.82	0.65	4119	16.01	10.41	0.65	4309	15.39	10.01	0.65	4507	14.52	9.44	0.65	4800	13.33	8.67	0.65	5098	12.33	8.02	0.65	5291
26	22	18.44	9.78	0.53	3949	17.65	9.35	0.53	4153	16.97	8.99	0.53	4344	16.32	8.65	0.53	4544	15.39	8.16	0.53	4839	14.13	7.49	0.53	5139	13.07	6.93	0.53	5334
26	24	19.55	8.02	0.41	3982	18.71	7.67	0.41	4187	17.99	7.38	0.41	4380	17.30	7.09	0.41	4581	16.32	6.69	0.41	4879	14.98	6.14	0.41	5181	13.86	5.68	0.41	5378
26	26	20.53	5.95	0.29	4015	19.64	5.70	0.29	4221	18.89	5.48	0.29	4416	18.16	5.27	0.29	4619	17.13	4.97	0.29	4919	15.73	4.56	0.29	5224	14.55	4.22	0.29	5422
27	18	16.56	13.41	0.81	3885	15.84	12.83	0.81	4085	15.23	12.34	0.81	4273	14.65	11.86	0.81	4470	13.82	11.19	0.81	4760	12.68	10.27	0.81	5055	11.73	9.50	0.81	5247
27	19	16.89	12.67	0.75	3901	16.17	12.12	0.75	4102	15.54	11.66	0.75	4291	14.95	11.21	0.75	4488	14.10	10.58	0.75	4780	12.94	9.71	0.75	5076	11.97	8.98	0.75	5269
27	20	17.40	12.01	0.69	3917	16.65	11.49	0.69	4119	16.01	11.05	0.69	4309	15.39	10.62	0.69	4507	14.52	10.02	0.69	4800	13.33	9.20	0.69	5098	12.33	8.51	0.69	5291
27	22	18.44	10.51	0.57	3949	17.65	10.06	0.57	4153	16.97	9.67	0.57	4344	16.32	9.30	0.57	4544	15.39	8.77	0.57	4839	14.13	8.06	0.57	5139	13.07	7.45	0.57	5334
27	24	19.55	8.80	0.45	3982	18.71	8.42	0.45	4187	17.99	8.10	0.45	4380	17.30	7.78	0.45	4581	16.32	7.34	0.45	4879	14.98	6.74	0.45	5181	13.86	6.24	0.45	5378
27	26	20.53	6.77	0.33	4015	19.64	6.48	0.33	4221	18.89	6.23	0.33	4416	18.16	5.99	0.33	4619	17.13	5.65	0.33	4919	15.73	5.19	0.33	5224	14.55	4.80	0.33	5422
28	18	16.56	14.07	0.85	3885	15.84	13.47	0.85	4085	15.23	12.95	0.85	4273	14.65	12.45	0.85	4470	13.82	11.75	0.85	4760	12.68	10.78	0.85	5055	11.73	9.97	0.85	5247
28	20	17.40	12.70	0.73	3917	16.65	12.15	0.73	4119	16.01	11.69	0.73	4309	15.39	11.24	0.73	4507	14.52	10.60	0.73	4800	13.33	9.73	0.73	5098	12.33	9.00	0.73	5291

5. CAPACITIES AND SELECTION DATA

PERFORMANCE DATA (Cooling Operation at Rated Frequency)																													
RPIH-6.0UFE1NH+RAS-6.0UFESNH1																													
CAPACITY: 14.10 kW SHF: 0.75 INPUT: 4780 W																													
INDOOR DB(°C)		OUTDOOR DB (°C)																											
		21				25				27				30				35				40				46			
		Q	SHC	SHF	INPUT	Q	SHC	SHF	INPUT	Q	SHC	SHF	INPUT	Q	SHC	SHF	INPUT	Q	SHC	SHF	INPUT	Q	SHC	SHF	INPUT	Q	SHC	SHF	INPUT
28	22	18.44	11.25	0.61	3949	17.65	10.77	0.61	4153	16.97	10.35	0.61	4344	16.32	9.95	0.61	4544	15.39	9.39	0.61	4839	14.13	8.62	0.61	5139	13.07	7.97	0.61	5334
28	24	19.55	9.58	0.49	3982	18.71	9.17	0.49	4187	17.99	8.81	0.49	4380	17.30	8.48	0.49	4581	16.32	8.00	0.49	4879	14.98	7.34	0.49	5181	13.86	6.79	0.49	5378
28	26	20.53	7.60	0.37	4015	19.64	7.27	0.37	4221	18.89	6.99	0.37	4416	18.16	6.72	0.37	4619	17.13	6.34	0.37	4919	15.73	5.82	0.37	5224	14.55	5.38	0.37	5422
29	18	16.56	14.40	0.87	3885	15.84	13.78	0.87	4085	15.23	13.25	0.87	4273	14.65	12.74	0.87	4470	13.82	12.02	0.87	4760	12.68	11.04	0.87	5055	11.73	10.21	0.87	5247
29	20	17.40	13.40	0.77	3917	16.65	12.82	0.77	4119	16.01	12.33	0.77	4309	15.39	11.85	0.77	4507	14.52	11.18	0.77	4800	13.33	10.27	0.77	5098	12.33	9.50	0.77	5291
29	22	18.44	11.99	0.65	3949	17.65	11.47	0.65	4153	16.97	11.03	0.65	4344	16.32	10.61	0.65	4544	15.39	10.01	0.65	4839	14.13	9.19	0.65	5139	13.07	8.50	0.65	5334
29	24	19.55	10.36	0.53	3982	18.71	9.92	0.53	4187	17.99	9.53	0.53	4380	17.30	9.17	0.53	4581	16.32	8.65	0.53	4879	14.98	7.94	0.53	5181	13.86	7.34	0.53	5378
29	26	20.53	8.42	0.41	4015	19.64	8.05	0.41	4221	18.89	7.74	0.41	4416	18.16	7.45	0.41	4619	17.13	7.02	0.41	4919	15.73	6.45	0.41	5224	14.55	5.97	0.41	5422
30	18	16.56	14.40	0.87	3885	15.84	13.78	0.87	4085	15.23	13.25	0.87	4273	14.65	12.74	0.87	4470	13.82	12.02	0.87	4760	12.68	11.04	0.87	5055	11.73	10.21	0.87	5247
30	20	17.40	14.09	0.81	3917	16.65	13.49	0.81	4119	16.01	12.97	0.81	4309	15.39	12.47	0.81	4507	14.52	11.76	0.81	4800	13.33	10.80	0.81	5098	12.33	9.99	0.81	5291
30	22	18.44	12.73	0.69	3949	17.65	12.18	0.69	4153	16.97	11.71	0.69	4344	16.32	11.26	0.69	4544	15.39	10.62	0.69	4839	14.13	9.75	0.69	5139	13.07	9.02	0.69	5334
30	24	19.55	11.14	0.57	3982	18.71	10.66	0.57	4187	17.99	10.25	0.57	4380	17.30	9.86	0.57	4581	16.32	9.30	0.57	4879	14.98	8.54	0.57	5181	13.86	7.90	0.57	5378
30	26	20.53	9.24	0.45	4015	19.64	8.84	0.45	4221	18.89	8.50	0.45	4416	18.16	8.17	0.45	4619	17.13	7.71	0.45	4919	15.73	7.08	0.45	5224	14.55	6.55	0.45	5422
31	18	16.56	14.40	0.87	3885	15.84	13.78	0.87	4085	15.23	13.25	0.87	4273	14.65	12.74	0.87	4470	13.82	12.02	0.87	4760	12.68	11.04	0.87	5055	11.73	10.21	0.87	5247
31	20	17.40	14.79	0.85	3917	16.65	14.15	0.85	4119	16.01	13.61	0.85	4309	15.39	13.09	0.85	4507	14.52	12.34	0.85	4800	13.33	11.33	0.85	5098	12.33	10.48	0.85	5291
31	22	18.44	13.46	0.73	3949	17.65	12.88	0.73	4153	16.97	12.39	0.73	4344	16.32	11.91	0.73	4544	15.39	11.24	0.73	4839	14.13	10.32	0.73	5139	13.07	9.54	0.73	5334
31	24	19.55	11.93	0.61	3982	18.71	11.41	0.61	4187	17.99	10.97	0.61	4380	17.30	10.55	0.61	4581	16.32	9.95	0.61	4879	14.98	9.14	0.61	5181	13.86	8.45	0.61	5378
31	26	20.53	10.06	0.49	4015	19.64	9.63	0.49	4221	18.89	9.26	0.49	4416	18.16	8.90	0.49	4619	17.13	8.40	0.49	4919	15.73	7.71	0.49	5224	14.55	7.13	0.49	5422
32	18	16.56	14.40	0.87	3885	15.84	13.78	0.87	4085	15.23	13.25	0.87	4273	14.65	12.74	0.87	4470	13.82	12.02	0.87	4760	12.68	11.04	0.87	5055	11.73	10.21	0.87	5247
32	20	17.40	15.14	0.87	3917	16.65	14.49	0.87	4119	16.01	13.93	0.87	4309	15.39	13.39	0.87	4507	14.52	12.64	0.87	4800	13.33	11.60	0.87	5098	12.33	10.73	0.87	5291
32	22	18.44	14.20	0.77	3949	17.65	13.59	0.77	4153	16.97	13.07	0.77	4344	16.32	12.56	0.77	4544	15.39	11.85	0.77	4839	14.13	10.88	0.77	5139	13.07	10.07	0.77	5334
32	24	19.55	12.71	0.65	3982	18.71	12.16	0.65	4187	17.99	11.69	0.65	4380	17.30	11.24	0.65	4581	16.32	10.61	0.65	4879	14.98	9.74	0.65	5181	13.86	9.01	0.65	5378
32	26	20.53	10.88	0.53	4015	19.64	10.41	0.53	4221	18.89	10.01	0.53	4416	18.16	9.63	0.53	4619	17.13	9.08	0.53	4919	15.73	8.34	0.53	5224	14.55	7.71	0.53	5422

Remarks:
 Q: Total Cooling Capacity (Gross) kW
 SHC: Sensible Heat Capacity (Gross)
 SHF: Sensible Capacity ratio
 INPUT: Power Input (including the compressor, evap. fan motor & cond. fan motor) W
 DB: Dry Bulb Temperature
 WB: Wet Bulb Temperature

5. CAPACITIES AND SELECTION DATA

PERFORMANCE DATA (Heating Operation at Rated Frequency)														
RPIL-3.0UFE1NH+RAS-3.0UFESNH1														
CAPACITY: 8.30 kW INPUT: 2220 W														
INDOOR DB(°C)	OUTDOOR WB (°C)													
	-10		-5		0		5		10		15		20	
	Q	INPUT	Q	INPUT	Q	INPUT	Q	INPUT	Q	INPUT	Q	INPUT	Q	INPUT
15	5.24	1443	6.30	1730	7.39	1952	8.46	2109	9.55	2243	10.53	2308	11.62	2354
21	4.98	1554	5.97	1841	7.06	2044	8.04	2197	9.13	2308	10.12	2377	11.15	2465
26	4.49	1665	5.55	1952	6.56	2155	7.63	2308	8.72	2419	9.70	2488	10.79	2553

PERFORMANCE DATA (Heating Operation at Rated Frequency)														
RPIH-3.5UFE1NH+RAS-3.5UFESNH1														
CAPACITY: 9.00 kW INPUT: 2400 W														
INDOOR DB(°C)	OUTDOOR WB (°C)													
	-10		-5		0		5		10		15		20	
	Q	INPUT	Q	INPUT	Q	INPUT	Q	INPUT	Q	INPUT	Q	INPUT	Q	INPUT
15	5.68	1560	6.83	1871	8.02	2111	9.17	2280	10.35	2425	11.42	2495	12.60	2545
21	5.40	1680	6.47	1991	7.65	2209	8.72	2375	9.90	2495	10.97	2569	12.09	2665
26	4.87	1800	6.02	2111	7.12	2329	8.27	2495	9.45	2615	10.52	2689	11.70	2760

PERFORMANCE DATA (Heating Operation at Rated Frequency)														
RPIH-4.0UFE1NH+RAS-4.0UFESNH1														
CAPACITY: 10.50 kW INPUT: 3500 W														
INDOOR DB(°C)	OUTDOOR WB (°C)													
	-10		-5		0		5		10		15		20	
	Q	INPUT	Q	INPUT	Q	INPUT	Q	INPUT	Q	INPUT	Q	INPUT	Q	INPUT
15	6.63	2275	7.97	2728	9.35	3078	10.70	3325	12.08	3536	13.32	3639	14.70	3711
21	6.30	2450	7.55	2903	8.93	3222	10.17	3464	11.55	3639	12.80	3747	14.11	3886
26	5.68	2625	7.02	3078	8.30	3397	9.65	3639	11.03	3814	12.27	3922	13.65	4025

Remarks:
 Q: Total Heating Capacity (Gross) kW
 INPUT: Power Input (including the compressor, evap. fan motor & cond. fan motor) W
 DB: Dry Bulb Temperature
 WB: Wet Bulb Temperature

5. CAPACITIES AND SELECTION DATA

PERFORMANCE DATA (Heating Operation at Rated Frequency)														
RPIH-5.0UFE1NH+RAS-5.0UFESMH1														
CAPACITY: 13.40 kW INPUT: 4070 W														
INDOOR DB(°C)	OUTDOOR WB (°C)													
	-10		-5		0		5		10		15		20	
	Q	INPUT	Q	INPUT	Q	INPUT	Q	INPUT	Q	INPUT	Q	INPUT	Q	INPUT
15	8.46	2646	10.18	3173	11.93	3580	13.65	3867	15.41	4112	17.00	4232	18.76	4315
21	8.04	2849	9.63	3376	11.39	3746	12.98	4028	14.74	4232	16.33	4357	18.01	4519
26	7.24	3053	8.96	3580	10.59	3950	12.31	4232	14.07	4435	15.66	4560	17.42	4681

PERFORMANCE DATA (Heating Operation at Rated Frequency)														
RPIH-6.0UFE1NH+RAS-6.0UFESMH1														
CAPACITY: 16.13 kW INPUT: 4650 W														
INDOOR DB(°C)	OUTDOOR WB (°C)													
	-10		-5		0		5		10		15		20	
	Q	INPUT	Q	INPUT	Q	INPUT	Q	INPUT	Q	INPUT	Q	INPUT	Q	INPUT
15	10.18	3023	12.25	3625	14.37	4090	16.43	4418	18.55	4698	20.46	4835	22.58	4930
21	9.68	3255	11.59	3857	13.71	4280	15.63	4602	17.74	4835	19.66	4978	21.67	5163
26	8.72	3488	10.79	4090	12.75	4513	14.82	4835	16.94	5067	18.85	5210	20.97	5348

PERFORMANCE DATA (Heating Operation at Rated Frequency)														
RPIH-6.5UFE1NH+RAS-6.5UFESMH1														
CAPACITY: 18.00 kW INPUT: 6100 W														
INDOOR DB(°C)	OUTDOOR WB (°C)													
	-10		-5		0		5		10		15		20	
	Q	INPUT	Q	INPUT	Q	INPUT	Q	INPUT	Q	INPUT	Q	INPUT	Q	INPUT
15	11.36	3965	13.67	4755	16.03	5365	18.34	5795	20.70	6163	22.84	6342	25.20	6468
21	10.80	4270	12.94	5060	15.30	5615	17.44	6037	19.80	6342	21.94	6530	24.19	6773
26	9.73	4575	12.04	5365	14.23	5920	16.54	6342	18.90	6647	21.04	6835	23.40	7015

Remarks:
 Q: Total Heating Capacity (Gross) kW
 INPUT: Power Input (including the compressor, evap. fan motor & cond. fan motor) W
 DB: Dry Bulb Temperature
 WB: Wet Bulb Temperature

5. CAPACITIES AND SELECTION DATA

PERFORMANCE DATA (Heating Operation at Rated Frequency)														
RPIH-5.0UFE1NH + RAS-5.0UFESNH1														
CAPACITY: 12.80 kW INPUT: 3820 W														
INDOOR DB(°C)	OUTDOOR WB (°C)													
	-10		-5		0		5		10		15		20	
	Q	INPUT	Q	INPUT	Q	INPUT	Q	INPUT	Q	INPUT	Q	INPUT	Q	INPUT
15	8.08	2483	9.72	2978	11.40	3360	13.04	3629	14.72	3859	16.24	3972	17.92	4050
21	7.68	2674	9.20	3169	10.88	3516	12.40	3781	14.08	3972	15.60	4089	17.20	4241
26	6.92	2865	8.56	3360	10.12	3707	11.76	3972	13.44	4163	14.96	4280	16.64	4393

PERFORMANCE DATA (Heating Operation at Rated Frequency)														
RPIH-6.0UFE1NH+RAS-6.0UFESNH1														
CAPACITY: 16.50 kW INPUT: 4850 W														
INDOOR DB(°C)	OUTDOOR WB (°C)													
	-10		-5		0		5		10		15		20	
	Q	INPUT	Q	INPUT	Q	INPUT	Q	INPUT	Q	INPUT	Q	INPUT	Q	INPUT
15	10.42	3153	12.53	3781	14.70	4266	16.81	4608	18.98	4900	20.93	5043	23.10	5142
21	9.90	3395	11.86	4023	14.03	4464	15.98	4800	18.15	5043	20.11	5192	22.17	5385
26	8.92	3638	11.03	4266	13.05	4707	15.16	5043	17.33	5285	19.28	5434	21.45	5578

Remarks:
 Q: Total Heating Capacity (Gross) kW
 INPUT: Power Input (including the compressor, evap. fan motor & cond. fan motor) W
 DB: Dry Bulb Temperature
 WB: Wet Bulb Temperature

5. CAPACITIES AND SELECTION DATA

Cassette

PERFORMANCE DATA (Cooling Operation at Rated Frequency)																													
RCI-3.0UFE1NH+RAS-3.0UFESNH1																													
CAPACITY: 7.00 kW SHF: 0.70 INPUT: 1910 W																													
INDOOR INDOOR DB (°C) WB(°C)		OUTDOOR DB (°C)																											
		21				25				27				30				35				40				46			
		Q	SHC	SHF	INPUT	Q	SHC	SHF	INPUT	Q	SHC	SHF	INPUT	Q	SHC	SHF	INPUT	Q	SHC	SHF	INPUT	Q	SHC	SHF	INPUT	Q	SHC	SHF	INPUT
21	18	8.22	5.10	0.62	1542	7.86	4.88	0.62	1622	7.56	4.69	0.62	1697	7.27	4.51	0.62	1775	6.86	4.25	0.62	1890	6.30	3.90	0.62	2007	5.83	3.61	0.62	2083
21	20	8.64	4.32	0.50	1575	8.27	4.13	0.50	1656	7.95	3.97	0.50	1733	7.64	3.82	0.50	1812	7.21	3.61	0.50	1930	6.62	3.31	0.50	2050	6.12	3.06	0.50	2128
22	18	8.22	5.42	0.66	1542	7.86	5.19	0.66	1622	7.56	4.99	0.66	1697	7.27	4.80	0.66	1775	6.86	4.53	0.66	1890	6.30	4.16	0.66	2007	5.83	3.84	0.66	2083
22	20	8.64	4.66	0.54	1575	8.27	4.46	0.54	1656	7.95	4.29	0.54	1733	7.64	4.13	0.54	1812	7.21	3.89	0.54	1930	6.62	3.57	0.54	2050	6.12	3.31	0.54	2128
22	22	9.16	3.85	0.42	1607	8.76	3.68	0.42	1690	8.43	3.54	0.42	1768	8.10	3.40	0.42	1849	7.64	3.21	0.42	1969	7.02	2.95	0.42	2091	6.49	2.73	0.42	2171
23	18	8.22	5.75	0.70	1542	7.86	5.51	0.70	1622	7.56	5.29	0.70	1697	7.27	5.09	0.70	1775	6.86	4.80	0.70	1890	6.30	4.41	0.70	2007	5.83	4.08	0.70	2083
23	20	8.64	5.01	0.58	1575	8.27	4.79	0.58	1656	7.95	4.61	0.58	1733	7.64	4.43	0.58	1812	7.21	4.18	0.58	1930	6.62	3.84	0.58	2050	6.12	3.55	0.58	2128
23	22	9.16	4.21	0.46	1607	8.76	4.03	0.46	1690	8.43	3.88	0.46	1768	8.10	3.73	0.46	1849	7.64	3.52	0.46	1969	7.02	3.23	0.46	2091	6.49	2.99	0.46	2171
24	18	8.22	6.08	0.74	1542	7.86	5.82	0.74	1622	7.56	5.60	0.74	1697	7.27	5.38	0.74	1775	6.86	5.08	0.74	1890	6.30	4.66	0.74	2007	5.83	4.31	0.74	2083
24	20	8.64	5.36	0.62	1575	8.27	5.13	0.62	1656	7.95	4.93	0.62	1733	7.64	4.74	0.62	1812	7.21	4.47	0.62	1930	6.62	4.10	0.62	2050	6.12	3.80	0.62	2128
24	22	9.16	4.58	0.50	1607	8.76	4.38	0.50	1690	8.43	4.21	0.50	1768	8.10	4.05	0.50	1849	7.64	3.82	0.50	1969	7.02	3.51	0.50	2091	6.49	3.24	0.50	2171
24	24	9.71	3.69	0.38	1640	9.29	3.53	0.38	1724	8.93	3.39	0.38	1803	8.59	3.26	0.38	1886	8.10	3.08	0.38	2009	7.44	2.83	0.38	2134	6.88	2.61	0.38	2215
25	18	8.22	6.41	0.78	1542	7.86	6.13	0.78	1622	7.56	5.90	0.78	1697	7.27	5.67	0.78	1775	6.86	5.35	0.78	1890	6.30	4.91	0.78	2007	5.83	4.54	0.78	2083
25	20	8.64	5.70	0.66	1575	8.27	5.46	0.66	1656	7.95	5.25	0.66	1733	7.64	5.04	0.66	1812	7.21	4.76	0.66	1930	6.62	4.37	0.66	2050	6.12	4.04	0.66	2128
25	22	9.16	4.94	0.54	1607	8.76	4.73	0.54	1690	8.43	4.55	0.54	1768	8.10	4.37	0.54	1849	7.64	4.13	0.54	1969	7.02	3.79	0.54	2091	6.49	3.50	0.54	2171
25	24	9.71	4.08	0.42	1640	9.29	3.90	0.42	1724	8.93	3.75	0.42	1803	8.59	3.61	0.42	1886	8.10	3.40	0.42	2009	7.44	3.12	0.42	2134	6.88	2.89	0.42	2215
26	18	8.22	6.74	0.82	1542	7.86	6.45	0.82	1622	7.56	6.20	0.82	1697	7.27	5.96	0.82	1775	6.86	5.63	0.82	1890	6.30	5.16	0.82	2007	5.83	4.78	0.82	2083
26	20	8.64	6.05	0.70	1575	8.27	5.79	0.70	1656	7.95	5.56	0.70	1733	7.64	5.35	0.70	1812	7.21	5.05	0.70	1930	6.62	4.63	0.70	2050	6.12	4.29	0.70	2128
26	22	9.16	5.31	0.58	1607	8.76	5.08	0.58	1690	8.43	4.89	0.58	1768	8.10	4.70	0.58	1849	7.64	4.43	0.58	1969	7.02	4.07	0.58	2091	6.49	3.76	0.58	2171
26	24	9.71	4.46	0.46	1640	9.29	4.27	0.46	1724	8.93	4.11	0.46	1803	8.59	3.95	0.46	1886	8.10	3.73	0.46	2009	7.44	3.42	0.46	2134	6.88	3.16	0.46	2215
26	26	10.19	3.47	0.34	1672	9.75	3.32	0.34	1758	9.38	3.19	0.34	1839	9.02	3.07	0.34	1924	8.51	2.89	0.34	2049	7.81	2.65	0.34	2176	7.22	2.46	0.34	2259
27	18	8.22	7.07	0.86	1542	7.86	6.76	0.86	1622	7.56	6.50	0.86	1697	7.27	6.25	0.86	1775	6.86	5.90	0.86	1890	6.30	5.42	0.86	2007	5.83	5.01	0.86	2083
27	19	8.39	6.71	0.80	1559	8.03	6.42	0.80	1639	7.72	6.17	0.80	1715	7.42	5.94	0.80	1793	7.00	5.60	0.80	1910	6.43	5.14	0.80	2028	5.94	4.76	0.80	2105
27	20	8.64	6.39	0.74	1575	8.27	6.12	0.74	1656	7.95	5.88	0.74	1733	7.64	5.66	0.74	1812	7.21	5.34	0.74	1930	6.62	4.90	0.74	2050	6.12	4.53	0.74	2128
27	22	9.16	5.68	0.62	1607	8.76	5.43	0.62	1690	8.43	5.22	0.62	1768	8.10	5.02	0.62	1849	7.64	4.74	0.62	1969	7.02	4.35	0.62	2091	6.49	4.02	0.62	2171
27	24	9.71	4.85	0.50	1640	9.29	4.64	0.50	1724	8.93	4.47	0.50	1803	8.59	4.29	0.50	1886	8.10	4.05	0.50	2009	7.44	3.72	0.50	2134	6.88	3.44	0.50	2215
27	26	10.19	3.87	0.38	1672	9.75	3.71	0.38	1758	9.38	3.56	0.38	1839	9.02	3.43	0.38	1924	8.51	3.23	0.38	2049	7.81	2.97	0.38	2176	7.22	2.74	0.38	2259
28	18	8.22	7.40	0.90	1542	7.86	7.08	0.90	1622	7.56	6.81	0.90	1697	7.27	6.54	0.90	1775	6.86	6.17	0.90	1890	6.30	5.67	0.90	2007	5.83	5.24	0.90	2083
28	20	8.64	6.74	0.78	1575	8.27	6.45	0.78	1656	7.95	6.20	0.78	1733	7.64	5.96	0.78	1812	7.21	5.62	0.78	1930	6.62	5.16	0.78	2050	6.12	4.78	0.78	2128
28	22	9.16	6.04	0.66	1607	8.76	5.78	0.66	1690	8.43	5.56	0.66	1768	8.10	5.35	0.66	1849	7.64	5.04	0.66	1969	7.02	4.63	0.66	2091	6.49	4.28	0.66	2171
28	24	9.71	5.24	0.54	1640	9.29	5.02	0.54	1724	8.93	4.82	0.54	1803	8.59	4.64	0.54	1886	8.10	4.37	0.54	2009	7.44	4.02	0.54	2134	6.88	3.71	0.54	2215

5. CAPACITIES AND SELECTION DATA

INDOOR INDOOR DB (°C) WB(°C)		PERFORMANCE DATA (Cooling Operation at Rated Frequency)																											
		RCI-3.0UFE1NH+RAS-3.0UFESNH1																											
		CAPACITY: 7.00 kW SHF: 0.70 INPUT: 1910 W																											
		OUTDOOR DB (°C)																											
		21				25				27				30				35				40				46			
		Q	SHC	SHF	INPUT	Q	SHC	SHF	INPUT	Q	SHC	SHF	INPUT	Q	SHC	SHF	INPUT	Q	SHC	SHF	INPUT	Q	SHC	SHF	INPUT	Q	SHC	SHF	INPUT
28	26	10.19	4.28	0.42	1672	9.75	4.10	0.42	1758	9.38	3.94	0.42	1839	9.02	3.79	0.42	1924	8.51	3.57	0.42	2049	7.81	3.28	0.42	2176	7.22	3.03	0.42	2259
29	18	8.22	7.56	0.92	1542	7.86	7.24	0.92	1622	7.56	6.96	0.92	1697	7.27	6.69	0.92	1775	6.86	6.31	0.92	1890	6.30	5.79	0.92	2007	5.83	5.36	0.92	2083
29	20	8.64	7.08	0.82	1575	8.27	6.78	0.82	1656	7.95	6.52	0.82	1733	7.64	6.27	0.82	1812	7.21	5.91	0.82	1930	6.62	5.43	0.82	2050	6.12	5.02	0.82	2128
29	22	9.16	6.41	0.70	1607	8.76	6.13	0.70	1690	8.43	5.90	0.70	1768	8.10	5.67	0.70	1849	7.64	5.35	0.70	1969	7.02	4.91	0.70	2091	6.49	4.54	0.70	2171
29	24	9.71	5.63	0.58	1640	9.29	5.39	0.58	1724	8.93	5.18	0.58	1803	8.59	4.98	0.58	1886	8.10	4.70	0.58	2009	7.44	4.31	0.58	2134	6.88	3.99	0.58	2215
29	26	10.19	4.69	0.46	1672	9.75	4.49	0.46	1758	9.38	4.31	0.46	1839	9.02	4.15	0.46	1924	8.51	3.91	0.46	2049	7.81	3.59	0.46	2176	7.22	3.32	0.46	2259
30	18	8.22	7.56	0.92	1542	7.86	7.24	0.92	1622	7.56	6.96	0.92	1697	7.27	6.69	0.92	1775	6.86	6.31	0.92	1890	6.30	5.79	0.92	2007	5.83	5.36	0.92	2083
30	20	8.64	7.43	0.86	1575	8.27	7.11	0.86	1656	7.95	6.84	0.86	1733	7.64	6.57	0.86	1812	7.21	6.20	0.86	1930	6.62	5.69	0.86	2050	6.12	5.27	0.86	2128
30	22	9.16	6.78	0.74	1607	8.76	6.48	0.74	1690	8.43	6.23	0.74	1768	8.10	5.99	0.74	1849	7.64	5.66	0.74	1969	7.02	5.19	0.74	2091	6.49	4.80	0.74	2171
30	24	9.71	6.02	0.62	1640	9.29	5.76	0.62	1724	8.93	5.54	0.62	1803	8.59	5.32	0.62	1886	8.10	5.02	0.62	2009	7.44	4.61	0.62	2134	6.88	4.27	0.62	2215
30	26	10.19	5.10	0.50	1672	9.75	4.88	0.50	1758	9.38	4.69	0.50	1839	9.02	4.51	0.50	1924	8.51	4.25	0.50	2049	7.81	3.90	0.50	2176	7.22	3.61	0.50	2259
31	18	8.22	7.56	0.92	1542	7.86	7.24	0.92	1622	7.56	6.96	0.92	1697	7.27	6.69	0.92	1775	6.86	6.31	0.92	1890	6.30	5.79	0.92	2007	5.83	5.36	0.92	2083
31	20	8.64	7.77	0.90	1575	8.27	7.44	0.90	1656	7.95	7.15	0.90	1733	7.64	6.88	0.90	1812	7.21	6.49	0.90	1930	6.62	5.96	0.90	2050	6.12	5.51	0.90	2128
31	22	9.16	7.14	0.78	1607	8.76	6.83	0.78	1690	8.43	6.57	0.78	1768	8.10	6.32	0.78	1849	7.64	5.96	0.78	1969	7.02	5.47	0.78	2091	6.49	5.06	0.78	2171
31	24	9.71	6.41	0.66	1640	9.29	6.13	0.66	1724	8.93	5.89	0.66	1803	8.59	5.67	0.66	1886	8.10	5.35	0.66	2009	7.44	4.91	0.66	2134	6.88	4.54	0.66	2215
31	26	10.19	5.50	0.54	1672	9.75	5.27	0.54	1758	9.38	5.06	0.54	1839	9.02	4.87	0.54	1924	8.51	4.59	0.54	2049	7.81	4.22	0.54	2176	7.22	3.90	0.54	2259
32	18	8.22	7.56	0.92	1542	7.86	7.24	0.92	1622	7.56	6.96	0.92	1697	7.27	6.69	0.92	1775	6.86	6.31	0.92	1890	6.30	5.79	0.92	2007	5.83	5.36	0.92	2083
32	20	8.64	7.95	0.92	1575	8.27	7.60	0.92	1656	7.95	7.31	0.92	1733	7.64	7.03	0.92	1812	7.21	6.63	0.92	1930	6.62	6.09	0.92	2050	6.12	5.63	0.92	2128
32	22	9.16	7.51	0.82	1607	8.76	7.19	0.82	1690	8.43	6.91	0.82	1768	8.10	6.64	0.82	1849	7.64	6.27	0.82	1969	7.02	5.75	0.82	2091	6.49	5.32	0.82	2171
32	24	9.71	6.79	0.70	1640	9.29	6.50	0.70	1724	8.93	6.25	0.70	1803	8.59	6.01	0.70	1886	8.10	5.67	0.70	2009	7.44	5.21	0.70	2134	6.88	4.82	0.70	2215
32	26	10.19	5.91	0.58	1672	9.75	5.66	0.58	1758	9.38	5.44	0.58	1839	9.02	5.23	0.58	1924	8.51	4.93	0.58	2049	7.81	4.53	0.58	2176	7.22	4.19	0.58	2259

Remarks:
 Q: Total Cooling Capacity (Gross) **kW**
 SHC: Sensible Heat Capacity (Gross)
 SHF: Sensible Capacity ratio
 INPUT: Power Input (including the
 compressor, evap. fan motor &
 cond. fan motor) **W**
 DB: Dry Bulb Temperature
 WB: Wet Bulb Temperature

5. CAPACITIES AND SELECTION DATA

PERFORMANCE DATA (Cooling Operation at Rated Frequency)																													
RCI-3.5UFE1NH+RAS-3.5UFESNH1																													
CAPACITY: 8.70 kW SHF: 0.70 INPUT: 2710 W																													
INDOOR INDOOR DB (°C) WB(°C)		OUTDOOR DB (°C)																											
		21				25				27				30				35				40				46			
		Q	SHC	SHF	INPUT	Q	SHC	SHF	INPUT	Q	SHC	SHF	INPUT	Q	SHC	SHF	INPUT	Q	SHC	SHF	INPUT	Q	SHC	SHF	INPUT	Q	SHC	SHF	INPUT
21	18	10.21	5.31	0.52	2195	9.78	5.08	0.52	2309	9.40	4.89	0.52	2415	9.04	4.70	0.52	2526	8.53	4.43	0.52	2690	7.83	4.07	0.52	2857	7.24	3.76	0.52	2965
21	20	10.74	4.29	0.40	2228	10.27	4.11	0.40	2343	9.88	3.95	0.40	2451	9.50	3.80	0.40	2563	8.96	3.58	0.40	2730	8.23	3.29	0.40	2899	7.61	3.04	0.40	3009
22	18	10.21	5.72	0.56	2195	9.78	5.47	0.56	2309	9.40	5.26	0.56	2415	9.04	5.06	0.56	2526	8.53	4.77	0.56	2690	7.83	4.38	0.56	2857	7.24	4.05	0.56	2965
22	20	10.74	4.72	0.44	2228	10.27	4.52	0.44	2343	9.88	4.35	0.44	2451	9.50	4.18	0.44	2563	8.96	3.94	0.44	2730	8.23	3.62	0.44	2899	7.61	3.35	0.44	3009
22	22	11.38	3.64	0.32	2260	10.89	3.48	0.32	2376	10.47	3.35	0.32	2486	10.07	3.22	0.32	2600	9.50	3.04	0.32	2769	8.72	2.79	0.32	2941	8.07	2.58	0.32	3052
23	18	10.21	6.13	0.60	2195	9.78	5.87	0.60	2309	9.40	5.64	0.60	2415	9.04	5.42	0.60	2526	8.53	5.12	0.60	2690	7.83	4.70	0.60	2857	7.24	4.34	0.60	2965
23	20	10.74	5.15	0.48	2228	10.27	4.93	0.48	2343	9.88	4.74	0.48	2451	9.50	4.56	0.48	2563	8.96	4.30	0.48	2730	8.23	3.95	0.48	2899	7.61	3.65	0.48	3009
23	22	11.38	4.10	0.36	2260	10.89	3.92	0.36	2376	10.47	3.77	0.36	2486	10.07	3.62	0.36	2600	9.50	3.42	0.36	2769	8.72	3.14	0.36	2941	8.07	2.90	0.36	3052
24	18	10.21	6.54	0.64	2195	9.78	6.26	0.64	2309	9.40	6.02	0.64	2415	9.04	5.78	0.64	2526	8.53	5.46	0.64	2690	7.83	5.01	0.64	2857	7.24	4.63	0.64	2965
24	20	10.74	5.58	0.52	2228	10.27	5.34	0.52	2343	9.88	5.14	0.52	2451	9.50	4.94	0.52	2563	8.96	4.66	0.52	2730	8.23	4.28	0.52	2899	7.61	3.96	0.52	3009
24	22	11.38	4.55	0.40	2260	10.89	4.36	0.40	2376	10.47	4.19	0.40	2486	10.07	4.03	0.40	2600	9.50	3.80	0.40	2769	8.72	3.49	0.40	2941	8.07	3.23	0.40	3052
24	24	12.06	3.38	0.28	2293	11.54	3.23	0.28	2411	11.10	3.11	0.28	2522	10.67	2.99	0.28	2638	10.07	2.82	0.28	2809	9.24	2.59	0.28	2983	8.55	2.39	0.28	3097
25	18	10.21	6.95	0.68	2195	9.78	6.65	0.68	2309	9.40	6.39	0.68	2415	9.04	6.15	0.68	2526	8.53	5.80	0.68	2690	7.83	5.32	0.68	2857	7.24	4.92	0.68	2965
25	20	10.74	6.01	0.56	2228	10.27	5.75	0.56	2343	9.88	5.53	0.56	2451	9.50	5.32	0.56	2563	8.96	5.02	0.56	2730	8.23	4.61	0.56	2899	7.61	4.26	0.56	3009
25	22	11.38	5.01	0.44	2260	10.89	4.79	0.44	2376	10.47	4.61	0.44	2486	10.07	4.43	0.44	2600	9.50	4.18	0.44	2769	8.72	3.84	0.44	2941	8.07	3.55	0.44	3052
25	24	12.06	3.86	0.32	2293	11.54	3.69	0.32	2411	11.10	3.55	0.32	2522	10.67	3.42	0.32	2638	10.07	3.22	0.32	2809	9.24	2.96	0.32	2983	8.55	2.74	0.32	3097
26	18	10.21	7.35	0.72	2195	9.78	7.04	0.72	2309	9.40	6.77	0.72	2415	9.04	6.51	0.72	2526	8.53	6.14	0.72	2690	7.83	5.64	0.72	2857	7.24	5.21	0.72	2965
26	20	10.74	6.44	0.60	2228	10.27	6.16	0.60	2343	9.88	5.93	0.60	2451	9.50	5.70	0.60	2563	8.96	5.38	0.60	2730	8.23	4.94	0.60	2899	7.61	4.57	0.60	3009
26	22	11.38	5.46	0.48	2260	10.89	5.23	0.48	2376	10.47	5.03	0.48	2486	10.07	4.83	0.48	2600	9.50	4.56	0.48	2769	8.72	4.19	0.48	2941	8.07	3.87	0.48	3052
26	24	12.06	4.34	0.36	2293	11.54	4.16	0.36	2411	11.10	4.00	0.36	2522	10.67	3.84	0.36	2638	10.07	3.62	0.36	2809	9.24	3.33	0.36	2983	8.55	3.08	0.36	3097
26	26	12.67	3.04	0.24	2325	12.12	2.91	0.24	2445	11.65	2.80	0.24	2558	11.21	2.69	0.24	2675	10.57	2.54	0.24	2849	9.71	2.33	0.24	3026	8.98	2.15	0.24	3141
27	18	10.21	7.76	0.76	2195	9.78	7.43	0.76	2309	9.40	7.14	0.76	2415	9.04	6.87	0.76	2526	8.53	6.48	0.76	2690	7.83	5.95	0.76	2857	7.24	5.50	0.76	2965
27	19	10.42	7.30	0.70	2212	9.97	6.98	0.70	2326	9.59	6.71	0.70	2433	9.22	6.46	0.70	2545	8.70	6.09	0.70	2710	7.99	5.59	0.70	2878	7.39	5.17	0.70	2987
27	20	10.74	6.87	0.64	2228	10.27	6.58	0.64	2343	9.88	6.32	0.64	2451	9.50	6.08	0.64	2563	8.96	5.74	0.64	2730	8.23	5.26	0.64	2899	7.61	4.87	0.64	3009
27	22	11.38	5.92	0.52	2260	10.89	5.66	0.52	2376	10.47	5.45	0.52	2486	10.07	5.24	0.52	2600	9.50	4.94	0.52	2769	8.72	4.53	0.52	2941	8.07	4.19	0.52	3052
27	24	12.06	4.83	0.40	2293	11.54	4.62	0.40	2411	11.10	4.44	0.40	2522	10.67	4.27	0.40	2638	10.07	4.03	0.40	2809	9.24	3.70	0.40	2983	8.55	3.42	0.40	3097
27	26	12.67	3.55	0.28	2325	12.12	3.39	0.28	2445	11.65	3.26	0.28	2558	11.21	3.14	0.28	2675	10.57	2.96	0.28	2849	9.71	2.72	0.28	3026	8.98	2.51	0.28	3141
28	18	10.21	8.17	0.80	2195	9.78	7.82	0.80	2309	9.40	7.52	0.80	2415	9.04	7.23	0.80	2526	8.53	6.82	0.80	2690	7.83	6.26	0.80	2857	7.24	5.79	0.80	2965
28	20	10.74	7.30	0.68	2228	10.27	6.99	0.68	2343	9.88	6.72	0.68	2451	9.50	6.46	0.68	2563	8.96	6.09	0.68	2730	8.23	5.59	0.68	2899	7.61	5.17	0.68	3009
28	22	11.38	6.37	0.56	2260	10.89	6.10	0.56	2376	10.47	5.86	0.56	2486	10.07	5.64	0.56	2600	9.50	5.32	0.56	2769	8.72	4.88	0.56	2941	8.07	4.52	0.56	3052
28	24	12.06	5.31	0.44	2293	11.54	5.08	0.44	2411	11.10	4.88	0.44	2522	10.67	4.70	0.44	2638	10.07	4.43	0.44	2809	9.24	4.07	0.44	2983	8.55	3.76	0.44	3097
28	26	12.67	4.05	0.32	2325	12.12	3.88	0.32	2445	11.65	3.73	0.32	2558	11.21	3.59	0.32	2675	10.57	3.38	0.32	2849	9.71	3.11	0.32	3026	8.98	2.87	0.32	3141
29	18	10.21	8.38	0.82	2195	9.78	8.02	0.82	2309	9.40	7.71	0.82	2415	9.04	7.41	0.82	2526	8.53	6.99	0.82	2690	7.83	6.42	0.82	2857	7.24	5.94	0.82	2965

5. CAPACITIES AND SELECTION DATA

PERFORMANCE DATA (Cooling Operation at Rated Frequency)																													
RCI-3.5UFE1NH+RAS-3.5UFESNH1																													
CAPACITY: 8.70 kW SHF: 0.70 INPUT: 2710 W																													
INDOOR INDOOR DB (°C) WB(°C)		OUTDOOR DB (°C)																											
		21				25				27				30				35				40				46			
		Q	SHC	SHF	INPUT	Q	SHC	SHF	INPUT	Q	SHC	SHF	INPUT	Q	SHC	SHF	INPUT	Q	SHC	SHF	INPUT	Q	SHC	SHF	INPUT	Q	SHC	SHF	INPUT
29	20	10.74	7.73	0.72	2228	10.27	7.40	0.72	2343	9.88	7.11	0.72	2451	9.50	6.84	0.72	2563	8.96	6.45	0.72	2730	8.23	5.92	0.72	2899	7.61	5.48	0.72	3009
29	22	11.38	6.83	0.60	2260	10.89	6.53	0.60	2376	10.47	6.28	0.60	2486	10.07	6.04	0.60	2600	9.50	5.70	0.60	2769	8.72	5.23	0.60	2941	8.07	4.84	0.60	3052
29	24	12.06	5.79	0.48	2293	11.54	5.54	0.48	2411	11.10	5.33	0.48	2522	10.67	5.12	0.48	2638	10.07	4.83	0.48	2809	9.24	4.44	0.48	2983	8.55	4.10	0.48	3097
29	26	12.67	4.56	0.36	2325	12.12	4.36	0.36	2445	11.65	4.20	0.36	2558	11.21	4.03	0.36	2675	10.57	3.81	0.36	2849	9.71	3.49	0.36	3026	8.98	3.23	0.36	3141
30	18	10.21	8.38	0.82	2195	9.78	8.02	0.82	2309	9.40	7.71	0.82	2415	9.04	7.41	0.82	2526	8.53	6.99	0.82	2690	7.83	6.42	0.82	2857	7.24	5.94	0.82	2965
30	20	10.74	8.16	0.76	2228	10.27	7.81	0.76	2343	9.88	7.51	0.76	2451	9.50	7.22	0.76	2563	8.96	6.81	0.76	2730	8.23	6.25	0.76	2899	7.61	5.78	0.76	3009
30	22	11.38	7.28	0.64	2260	10.89	6.97	0.64	2376	10.47	6.70	0.64	2486	10.07	6.44	0.64	2600	9.50	6.08	0.64	2769	8.72	5.58	0.64	2941	8.07	5.16	0.64	3052
30	24	12.06	6.27	0.52	2293	11.54	6.00	0.52	2411	11.10	5.77	0.52	2522	10.67	5.55	0.52	2638	10.07	5.24	0.52	2809	9.24	4.81	0.52	2983	8.55	4.45	0.52	3097
30	26	12.67	5.07	0.40	2325	12.12	4.85	0.40	2445	11.65	4.66	0.40	2558	11.21	4.48	0.40	2675	10.57	4.23	0.40	2849	9.71	3.88	0.40	3026	8.98	3.59	0.40	3141
31	18	10.21	8.38	0.82	2195	9.78	8.02	0.82	2309	9.40	7.71	0.82	2415	9.04	7.41	0.82	2526	8.53	6.99	0.82	2690	7.83	6.42	0.82	2857	7.24	5.94	0.82	2965
31	20	10.74	8.59	0.80	2228	10.27	8.22	0.80	2343	9.88	7.90	0.80	2451	9.50	7.60	0.80	2563	8.96	7.17	0.80	2730	8.23	6.58	0.80	2899	7.61	6.09	0.80	3009
31	22	11.38	7.74	0.68	2260	10.89	7.41	0.68	2376	10.47	7.12	0.68	2486	10.07	6.85	0.68	2600	9.50	6.46	0.68	2769	8.72	5.93	0.68	2941	8.07	5.48	0.68	3052
31	24	12.06	6.76	0.56	2293	11.54	6.46	0.56	2411	11.10	6.22	0.56	2522	10.67	5.98	0.56	2638	10.07	5.64	0.56	2809	9.24	5.18	0.56	2983	8.55	4.79	0.56	3097
31	26	12.67	5.57	0.44	2325	12.12	5.33	0.44	2445	11.65	5.13	0.44	2558	11.21	4.93	0.44	2675	10.57	4.65	0.44	2849	9.71	4.27	0.44	3026	8.98	3.95	0.44	3141
32	18	10.21	8.38	0.82	2195	9.78	8.02	0.82	2309	9.40	7.71	0.82	2415	9.04	7.41	0.82	2526	8.53	6.99	0.82	2690	7.83	6.42	0.82	2857	7.24	5.94	0.82	2965
32	20	10.74	8.80	0.82	2228	10.27	8.42	0.82	2343	9.88	8.10	0.82	2451	9.50	7.79	0.82	2563	8.96	7.35	0.82	2730	8.23	6.75	0.82	2899	7.61	6.24	0.82	3009
32	22	11.38	8.19	0.72	2260	10.89	7.84	0.72	2376	10.47	7.54	0.72	2486	10.07	7.25	0.72	2600	9.50	6.84	0.72	2769	8.72	6.28	0.72	2941	8.07	5.81	0.72	3052
32	24	12.06	7.24	0.60	2293	11.54	6.93	0.60	2411	11.10	6.66	0.60	2522	10.67	6.40	0.60	2638	10.07	6.04	0.60	2809	9.24	5.55	0.60	2983	8.55	5.13	0.60	3097
32	26	12.67	6.08	0.48	2325	12.12	5.82	0.48	2445	11.65	5.59	0.48	2558	11.21	5.38	0.48	2675	10.57	5.07	0.48	2849	9.71	4.66	0.48	3026	8.98	4.31	0.48	3141

Remarks:
 Q: Total Cooling Capacity (Gross) **kW**
 SHC: Sensible Heat Capacity (Gross)
 SHF: Sensible Capacity ratio
 INPUT: Power Input (including the compressor, evap. fan motor & cond. fan motor) **W**
 DB: Dry Bulb Temperature
 WB: Wet Bulb Temperature

5. CAPACITIES AND SELECTION DATA

PERFORMANCE DATA (Cooling Operation at Rated Frequency)																													
RCI-4.0UFE1NH+RAS-4.0UFESNH1																													
CAPACITY: 10.10 kW SHF: 0.70 INPUT: 3720 W																													
INDOOR INDOOR DB (°C) WB(°C)		OUTDOOR DB (°C)																											
		21				25				27				30				35				40				46			
		Q	SHC	SHF	INPUT	Q	SHC	SHF	INPUT	Q	SHC	SHF	INPUT	Q	SHC	SHF	INPUT	Q	SHC	SHF	INPUT	Q	SHC	SHF	INPUT	Q	SHC	SHF	INPUT
21	18	11.86	6.17	0.52	3020	11.35	5.90	0.52	3175	10.91	5.67	0.52	3321	10.49	5.46	0.52	3474	9.90	5.15	0.52	3700	9.09	4.72	0.52	3929	8.40	4.37	0.52	4079
21	20	12.46	4.99	0.40	3052	11.93	4.77	0.40	3210	11.47	4.59	0.40	3357	11.03	4.41	0.40	3512	10.40	4.16	0.40	3740	9.55	3.82	0.40	3972	8.83	3.53	0.40	4123
22	18	11.86	6.64	0.56	3020	11.35	6.35	0.56	3175	10.91	6.11	0.56	3321	10.49	5.88	0.56	3474	9.90	5.54	0.56	3700	9.09	5.09	0.56	3929	8.40	4.71	0.56	4079
22	20	12.46	5.48	0.44	3052	11.93	5.25	0.44	3210	11.47	5.05	0.44	3357	11.03	4.85	0.44	3512	10.40	4.58	0.44	3740	9.55	4.20	0.44	3972	8.83	3.89	0.44	4123
22	22	13.21	4.23	0.32	3084	12.64	4.05	0.32	3243	12.16	3.89	0.32	3392	11.69	3.74	0.32	3548	11.03	3.53	0.32	3779	10.12	3.24	0.32	4013	9.36	3.00	0.32	4166
23	18	11.86	7.12	0.60	3020	11.35	6.81	0.60	3175	10.91	6.55	0.60	3321	10.49	6.30	0.60	3474	9.90	5.94	0.60	3700	9.09	5.45	0.60	3929	8.40	5.04	0.60	4079
23	20	12.46	5.98	0.48	3052	11.93	5.72	0.48	3210	11.47	5.50	0.48	3357	11.03	5.29	0.48	3512	10.40	4.99	0.48	3740	9.55	4.58	0.48	3972	8.83	4.24	0.48	4123
23	22	13.21	4.76	0.36	3084	12.64	4.55	0.36	3243	12.16	4.38	0.36	3392	11.69	4.21	0.36	3548	11.03	3.97	0.36	3779	10.12	3.64	0.36	4013	9.36	3.37	0.36	4166
24	18	11.86	7.59	0.64	3020	11.35	7.26	0.64	3175	10.91	6.98	0.64	3321	10.49	6.71	0.64	3474	9.90	6.33	0.64	3700	9.09	5.82	0.64	3929	8.40	5.38	0.64	4079
24	20	12.46	6.48	0.52	3052	11.93	6.20	0.52	3210	11.47	5.96	0.52	3357	11.03	5.73	0.52	3512	10.40	5.41	0.52	3740	9.55	4.97	0.52	3972	8.83	4.59	0.52	4123
24	22	13.21	5.28	0.40	3084	12.64	5.06	0.40	3243	12.16	4.86	0.40	3392	11.69	4.68	0.40	3548	11.03	4.41	0.40	3779	10.12	4.05	0.40	4013	9.36	3.75	0.40	4166
24	24	14.00	3.92	0.28	3117	13.40	3.75	0.28	3277	12.89	3.61	0.28	3428	12.39	3.47	0.28	3586	11.69	3.27	0.28	3819	10.73	3.00	0.28	4056	9.93	2.78	0.28	4210
25	18	11.86	8.06	0.68	3020	11.35	7.72	0.68	3175	10.91	7.42	0.68	3321	10.49	7.13	0.68	3474	9.90	6.73	0.68	3700	9.09	6.18	0.68	3929	8.40	5.72	0.68	4079
25	20	12.46	6.98	0.56	3052	11.93	6.68	0.56	3210	11.47	6.42	0.56	3357	11.03	6.18	0.56	3512	10.40	5.83	0.56	3740	9.55	5.35	0.56	3972	8.83	4.95	0.56	4123
25	22	13.21	5.81	0.44	3084	12.64	5.56	0.44	3243	12.16	5.35	0.44	3392	11.69	5.14	0.44	3548	11.03	4.85	0.44	3779	10.12	4.45	0.44	4013	9.36	4.12	0.44	4166
25	24	14.00	4.48	0.32	3117	13.40	4.29	0.32	3277	12.89	4.12	0.32	3428	12.39	3.96	0.32	3586	11.69	3.74	0.32	3819	10.73	3.43	0.32	4056	9.93	3.18	0.32	4210
26	18	11.86	8.54	0.72	3020	11.35	8.17	0.72	3175	10.91	7.86	0.72	3321	10.49	7.55	0.72	3474	9.90	7.13	0.72	3700	9.09	6.54	0.72	3929	8.40	6.05	0.72	4079
26	20	12.46	7.48	0.60	3052	11.93	7.16	0.60	3210	11.47	6.88	0.60	3357	11.03	6.62	0.60	3512	10.40	6.24	0.60	3740	9.55	5.73	0.60	3972	8.83	5.30	0.60	4123
26	22	13.21	6.34	0.48	3084	12.64	6.07	0.48	3243	12.16	5.84	0.48	3392	11.69	5.61	0.48	3548	11.03	5.29	0.48	3779	10.12	4.86	0.48	4013	9.36	4.49	0.48	4166
26	24	14.00	5.04	0.36	3117	13.40	4.82	0.36	3277	12.89	4.64	0.36	3428	12.39	4.46	0.36	3586	11.69	4.21	0.36	3819	10.73	3.86	0.36	4056	9.93	3.57	0.36	4210
26	26	14.70	3.53	0.24	3149	14.07	3.38	0.24	3312	13.53	3.25	0.24	3464	13.01	3.12	0.24	3624	12.27	2.95	0.24	3859	11.27	2.70	0.24	4098	10.42	2.50	0.24	4254
27	18	11.86	9.01	0.76	3020	11.35	8.62	0.76	3175	10.91	8.29	0.76	3321	10.49	7.97	0.76	3474	9.90	7.52	0.76	3700	9.09	6.91	0.76	3929	8.40	6.39	0.76	4079
27	19	12.10	8.47	0.70	3036	11.58	8.11	0.70	3192	11.13	7.79	0.70	3339	10.71	7.49	0.70	3493	10.10	7.07	0.70	3720	9.27	6.49	0.70	3951	8.58	6.00	0.70	4101
27	20	12.46	7.98	0.64	3052	11.93	7.63	0.64	3210	11.47	7.34	0.64	3357	11.03	7.06	0.64	3512	10.40	6.66	0.64	3740	9.55	6.11	0.64	3972	8.83	5.65	0.64	4123
27	22	13.21	6.87	0.52	3084	12.64	6.57	0.52	3243	12.16	6.32	0.52	3392	11.69	6.08	0.52	3548	11.03	5.73	0.52	3779	10.12	5.26	0.52	4013	9.36	4.87	0.52	4166
27	24	14.00	5.60	0.40	3117	13.40	5.36	0.40	3277	12.89	5.15	0.40	3428	12.39	4.96	0.40	3586	11.69	4.68	0.40	3819	10.73	4.29	0.40	4056	9.93	3.97	0.40	4210
27	26	14.70	4.12	0.28	3149	14.07	3.94	0.28	3312	13.53	3.79	0.28	3464	13.01	3.64	0.28	3624	12.27	3.44	0.28	3859	11.27	3.15	0.28	4098	10.42	2.92	0.28	4254
28	18	11.86	9.49	0.80	3020	11.35	9.08	0.80	3175	10.91	8.73	0.80	3321	10.49	8.39	0.80	3474	9.90	7.92	0.80	3700	9.09	7.27	0.80	3929	8.40	6.72	0.80	4079
28	20	12.46	8.48	0.68	3052	11.93	8.11	0.68	3210	11.47	7.80	0.68	3357	11.03	7.50	0.68	3512	10.40	7.07	0.68	3740	9.55	6.49	0.68	3972	8.83	6.01	0.68	4123
28	22	13.21	7.40	0.56	3084	12.64	7.08	0.56	3243	12.16	6.81	0.56	3392	11.69	6.55	0.56	3548	11.03	6.18	0.56	3779	10.12	5.67	0.56	4013	9.36	5.24	0.56	4166
28	24	14.00	6.16	0.44	3117	13.40	5.90	0.44	3277	12.89	5.67	0.44	3428	12.39	5.45	0.44	3586	11.69	5.14	0.44	3819	10.73	4.72	0.44	4056	9.93	4.37	0.44	4210
28	26	14.70	4.71	0.32	3149	14.07	4.50	0.32	3312	13.53	4.33	0.32	3464	13.01	4.16	0.32	3624	12.27	3.93	0.32	3859	11.27	3.61	0.32	4098	10.42	3.33	0.32	4254
29	18	11.86	9.72	0.82	3020	11.35	9.31	0.82	3175	10.91	8.95	0.82	3321	10.49	8.60	0.82	3474	9.90	8.12	0.82	3700	9.09	7.45	0.82	3929	8.40	6.89	0.82	4079

5. CAPACITIES AND SELECTION DATA

PERFORMANCE DATA (Cooling Operation at Rated Frequency)																													
RCI-4.0UFE1NH+RAS-4.0UFESNH1																													
CAPACITY: 10.10 kW SHF: 0.70 INPUT: 3720 W																													
INDOOR INDOOR DB (°C) WB(°C)		OUTDOOR DB (°C)																											
		21				25				27				30				35				40				46			
		Q	SHC	SHF	INPUT	Q	SHC	SHF	INPUT	Q	SHC	SHF	INPUT	Q	SHC	SHF	INPUT	Q	SHC	SHF	INPUT	Q	SHC	SHF	INPUT	Q	SHC	SHF	INPUT
29	20	12.46	8.97	0.72	3052	11.93	8.59	0.72	3210	11.47	8.26	0.72	3357	11.03	7.94	0.72	3512	10.40	7.49	0.72	3740	9.55	6.88	0.72	3972	8.83	6.36	0.72	4123
29	22	13.21	7.93	0.60	3084	12.64	7.59	0.60	3243	12.16	7.29	0.60	3392	11.69	7.01	0.60	3548	11.03	6.62	0.60	3779	10.12	6.07	0.60	4013	9.36	5.62	0.60	4166
29	24	14.00	6.72	0.48	3117	13.40	6.43	0.48	3277	12.89	6.19	0.48	3428	12.39	5.95	0.48	3586	11.69	5.61	0.48	3819	10.73	5.15	0.48	4056	9.93	4.76	0.48	4210
29	26	14.70	5.29	0.36	3149	14.07	5.07	0.36	3312	13.53	4.87	0.36	3464	13.01	4.68	0.36	3624	12.27	4.42	0.36	3859	11.27	4.06	0.36	4098	10.42	3.75	0.36	4254
30	18	11.86	9.72	0.82	3020	11.35	9.31	0.82	3175	10.91	8.95	0.82	3321	10.49	8.60	0.82	3474	9.90	8.12	0.82	3700	9.09	7.45	0.82	3929	8.40	6.89	0.82	4079
30	20	12.46	9.47	0.76	3052	11.93	9.06	0.76	3210	11.47	8.72	0.76	3357	11.03	8.38	0.76	3512	10.40	7.91	0.76	3740	9.55	7.26	0.76	3972	8.83	6.71	0.76	4123
30	22	13.21	8.46	0.64	3084	12.64	8.09	0.64	3243	12.16	7.78	0.64	3392	11.69	7.48	0.64	3548	11.03	7.06	0.64	3779	10.12	6.48	0.64	4013	9.36	5.99	0.64	4166
30	24	14.00	7.28	0.52	3117	13.40	6.97	0.52	3277	12.89	6.70	0.52	3428	12.39	6.44	0.52	3586	11.69	6.08	0.52	3819	10.73	5.58	0.52	4056	9.93	5.16	0.52	4210
30	26	14.70	5.88	0.40	3149	14.07	5.63	0.40	3312	13.53	5.41	0.40	3464	13.01	5.20	0.40	3624	12.27	4.91	0.40	3859	11.27	4.51	0.40	4098	10.42	4.17	0.40	4254
31	18	11.86	9.72	0.82	3020	11.35	9.31	0.82	3175	10.91	8.95	0.82	3321	10.49	8.60	0.82	3474	9.90	8.12	0.82	3700	9.09	7.45	0.82	3929	8.40	6.89	0.82	4079
31	20	12.46	9.97	0.80	3052	11.93	9.54	0.80	3210	11.47	9.17	0.80	3357	11.03	8.82	0.80	3512	10.40	8.32	0.80	3740	9.55	7.64	0.80	3972	8.83	7.07	0.80	4123
31	22	13.21	8.98	0.68	3084	12.64	8.60	0.68	3243	12.16	8.27	0.68	3392	11.69	7.95	0.68	3548	11.03	7.50	0.68	3779	10.12	6.88	0.68	4013	9.36	6.37	0.68	4166
31	24	14.00	7.84	0.56	3117	13.40	7.50	0.56	3277	12.89	7.22	0.56	3428	12.39	6.94	0.56	3586	11.69	6.55	0.56	3819	10.73	6.01	0.56	4056	9.93	5.56	0.56	4210
31	26	14.70	6.47	0.44	3149	14.07	6.19	0.44	3312	13.53	5.95	0.44	3464	13.01	5.72	0.44	3624	12.27	5.40	0.44	3859	11.27	4.96	0.44	4098	10.42	4.59	0.44	4254
32	18	11.86	9.72	0.82	3020	11.35	9.31	0.82	3175	10.91	8.95	0.82	3321	10.49	8.60	0.82	3474	9.90	8.12	0.82	3700	9.09	7.45	0.82	3929	8.40	6.89	0.82	4079
32	20	12.46	10.22	0.82	3052	11.93	9.78	0.82	3210	11.47	9.40	0.82	3357	11.03	9.04	0.82	3512	10.40	8.53	0.82	3740	9.55	7.83	0.82	3972	8.83	7.24	0.82	4123
32	22	13.21	9.51	0.72	3084	12.64	9.10	0.72	3243	12.16	8.75	0.72	3392	11.69	8.42	0.72	3548	11.03	7.94	0.72	3779	10.12	7.29	0.72	4013	9.36	6.74	0.72	4166
32	24	14.00	8.40	0.60	3117	13.40	8.04	0.60	3277	12.89	7.73	0.60	3428	12.39	7.43	0.60	3586	11.69	7.01	0.60	3819	10.73	6.44	0.60	4056	9.93	5.96	0.60	4210
32	26	14.70	7.06	0.48	3149	14.07	6.75	0.48	3312	13.53	6.49	0.48	3464	13.01	6.24	0.48	3624	12.27	5.89	0.48	3859	11.27	5.41	0.48	4098	10.42	5.00	0.48	4254

Remarks:
 Q: Total Cooling Capacity (Gross) **kW**
 SHC: Sensible Heat Capacity (Gross)
 SHF: Sensible Capacity ratio
 INPUT: Power Input (including the compressor, evap. fan motor & cond. fan motor) **W**
 DB: Dry Bulb Temperature
 WB: Wet Bulb Temperature

5. CAPACITIES AND SELECTION DATA

PERFORMANCE DATA (Cooling Operation at Rated Frequency)																													
RCI-5.0UFE1NH+RAS-5.0UFESMH1																													
CAPACITY: 12.10 kW SHF: 0.75 INPUT: 4240 W																													
INDOOR INDOOR DB (°C) WB(°C)		OUTDOOR DB (°C)																											
		21				25				27				30				35				40				46			
		Q	SHC	SHF	INPUT	Q	SHC	SHF	INPUT	Q	SHC	SHF	INPUT	Q	SHC	SHF	INPUT	Q	SHC	SHF	INPUT	Q	SHC	SHF	INPUT	Q	SHC	SHF	INPUT
21	18	14.21	8.10	0.57	3444	13.60	7.75	0.57	3622	13.07	7.45	0.57	3788	12.57	7.16	0.57	3963	11.86	6.76	0.57	4220	10.89	6.20	0.57	4482	10.07	5.74	0.57	4652
21	20	14.93	6.72	0.45	3477	14.29	6.43	0.45	3656	13.74	6.18	0.45	3824	13.21	5.94	0.45	4000	12.46	5.61	0.45	4260	11.44	5.15	0.45	4524	10.58	4.76	0.45	4696
22	18	14.21	8.67	0.61	3444	13.60	8.29	0.61	3622	13.07	7.97	0.61	3788	12.57	7.67	0.61	3963	11.86	7.23	0.61	4220	10.89	6.64	0.61	4482	10.07	6.14	0.61	4652
22	20	14.93	7.32	0.49	3477	14.29	7.00	0.49	3656	13.74	6.73	0.49	3824	13.21	6.47	0.49	4000	12.46	6.11	0.49	4260	11.44	5.61	0.49	4524	10.58	5.19	0.49	4696
22	22	15.83	5.86	0.37	3509	15.15	5.60	0.37	3689	14.56	5.39	0.37	3859	14.00	5.18	0.37	4037	13.21	4.89	0.37	4299	12.13	4.49	0.37	4566	11.22	4.15	0.37	4739
23	18	14.21	9.23	0.65	3444	13.60	8.84	0.65	3622	13.07	8.50	0.65	3788	12.57	8.17	0.65	3963	11.86	7.71	0.65	4220	10.89	7.08	0.65	4482	10.07	6.54	0.65	4652
23	20	14.93	7.91	0.53	3477	14.29	7.57	0.53	3656	13.74	7.28	0.53	3824	13.21	7.00	0.53	4000	12.46	6.61	0.53	4260	11.44	6.06	0.53	4524	10.58	5.61	0.53	4696
23	22	15.83	6.49	0.41	3509	15.15	6.21	0.41	3689	14.56	5.97	0.41	3859	14.00	5.74	0.41	4037	13.21	5.42	0.41	4299	12.13	4.97	0.41	4566	11.22	4.60	0.41	4739
24	18	14.21	9.80	0.69	3444	13.60	9.38	0.69	3622	13.07	9.02	0.69	3788	12.57	8.67	0.69	3963	11.86	8.18	0.69	4220	10.89	7.51	0.69	4482	10.07	6.95	0.69	4652
24	20	14.93	8.51	0.57	3477	14.29	8.14	0.57	3656	13.74	7.83	0.57	3824	13.21	7.53	0.57	4000	12.46	7.10	0.57	4260	11.44	6.52	0.57	4524	10.58	6.03	0.57	4696
24	22	15.83	7.12	0.45	3509	15.15	6.82	0.45	3689	14.56	6.55	0.45	3859	14.00	6.30	0.45	4037	13.21	5.94	0.45	4299	12.13	5.46	0.45	4566	11.22	5.05	0.45	4739
24	24	16.78	5.54	0.33	3541	16.05	5.30	0.33	3724	15.44	5.09	0.33	3895	14.84	4.90	0.33	4074	14.00	4.62	0.33	4339	12.86	4.24	0.33	4608	11.89	3.92	0.33	4783
25	18	14.21	10.37	0.73	3444	13.60	9.92	0.73	3622	13.07	9.54	0.73	3788	12.57	9.18	0.73	3963	11.86	8.66	0.73	4220	10.89	7.95	0.73	4482	10.07	7.35	0.73	4652
25	20	14.93	9.11	0.61	3477	14.29	8.72	0.61	3656	13.74	8.38	0.61	3824	13.21	8.06	0.61	4000	12.46	7.60	0.61	4260	11.44	6.98	0.61	4524	10.58	6.46	0.61	4696
25	22	15.83	7.76	0.49	3509	15.15	7.42	0.49	3689	14.56	7.14	0.49	3859	14.00	6.86	0.49	4037	13.21	6.47	0.49	4299	12.13	5.94	0.49	4566	11.22	5.50	0.49	4739
25	24	16.78	6.21	0.37	3541	16.05	5.94	0.37	3724	15.44	5.71	0.37	3895	14.84	5.49	0.37	4074	14.00	5.18	0.37	4339	12.86	4.76	0.37	4608	11.89	4.40	0.37	4783
26	18	14.21	10.94	0.77	3444	13.60	10.47	0.77	3622	13.07	10.07	0.77	3788	12.57	9.68	0.77	3963	11.86	9.13	0.77	4220	10.89	8.38	0.77	4482	10.07	7.75	0.77	4652
26	20	14.93	9.71	0.65	3477	14.29	9.29	0.65	3656	13.74	8.93	0.65	3824	13.21	8.59	0.65	4000	12.46	8.10	0.65	4260	11.44	7.44	0.65	4524	10.58	6.88	0.65	4696
26	22	15.83	8.39	0.53	3509	15.15	8.03	0.53	3689	14.56	7.72	0.53	3859	14.00	7.42	0.53	4037	13.21	7.00	0.53	4299	12.13	6.43	0.53	4566	11.22	5.95	0.53	4739
26	24	16.78	6.88	0.41	3541	16.05	6.58	0.41	3724	15.44	6.33	0.41	3895	14.84	6.09	0.41	4074	14.00	5.74	0.41	4339	12.86	5.27	0.41	4608	11.89	4.88	0.41	4783
26	26	17.62	5.11	0.29	3574	16.86	4.89	0.29	3758	16.21	4.70	0.29	3931	15.59	4.52	0.29	4112	14.70	4.26	0.29	4379	13.50	3.91	0.29	4650	12.49	3.62	0.29	4827
27	18	14.21	11.51	0.81	3444	13.60	11.01	0.81	3622	13.07	10.59	0.81	3788	12.57	10.18	0.81	3963	11.86	9.60	0.81	4220	10.89	8.82	0.81	4482	10.07	8.16	0.81	4652
27	19	14.50	10.87	0.75	3460	13.87	10.40	0.75	3639	13.34	10.00	0.75	3806	12.83	9.62	0.75	3981	12.10	9.08	0.75	4240	11.11	8.33	0.75	4503	10.27	7.71	0.75	4674
27	20	14.93	10.30	0.69	3477	14.29	9.86	0.69	3656	13.74	9.48	0.69	3824	13.21	9.12	0.69	4000	12.46	8.60	0.69	4260	11.44	7.89	0.69	4524	10.58	7.30	0.69	4696
27	22	15.83	9.02	0.57	3509	15.15	8.63	0.57	3689	14.56	8.30	0.57	3859	14.00	7.98	0.57	4037	13.21	7.53	0.57	4299	12.13	6.91	0.57	4566	11.22	6.39	0.57	4739
27	24	16.78	7.55	0.45	3541	16.05	7.22	0.45	3724	15.44	6.95	0.45	3895	14.84	6.68	0.45	4074	14.00	6.30	0.45	4339	12.86	5.78	0.45	4608	11.89	5.35	0.45	4783
27	26	17.62	5.81	0.33	3574	16.86	5.56	0.33	3758	16.21	5.35	0.33	3931	15.59	5.14	0.33	4112	14.70	4.85	0.33	4379	13.50	4.45	0.33	4650	12.49	4.12	0.33	4827
28	18	14.21	12.08	0.85	3444	13.60	11.56	0.85	3622	13.07	11.11	0.85	3788	12.57	10.68	0.85	3963	11.86	10.08	0.85	4220	10.89	9.25	0.85	4482	10.07	8.56	0.85	4652
28	20	14.93	10.90	0.73	3477	14.29	10.43	0.73	3656	13.74	10.03	0.73	3824	13.21	9.64	0.73	4000	12.46	9.10	0.73	4260	11.44	8.35	0.73	4524	10.58	7.73	0.73	4696
28	22	15.83	9.65	0.61	3509	15.15	9.24	0.61	3689	14.56	8.88	0.61	3859	14.00	8.54	0.61	4037	13.21	8.06	0.61	4299	12.13	7.40	0.61	4566	11.22	6.84	0.61	4739
28	24	16.78	8.22	0.49	3541	16.05	7.87	0.49	3724	15.44	7.56	0.49	3895	14.84	7.27	0.49	4074	14.00	6.86	0.49	4339	12.86	6.30	0.49	4608	11.89	5.83	0.49	4783
28	26	17.62	6.52	0.37	3574	16.86	6.24	0.37	3758	16.21	6.00	0.37	3931	15.59	5.77	0.37	4112	14.70	5.44	0.37	4379	13.50	4.99	0.37	4650	12.49	4.62	0.37	4827
29	18	14.21	12.36	0.87	3444	13.60	11.83	0.87	3622	13.07	11.37	0.87	3788	12.57	10.94	0.87	3963	11.86	10.32	0.87	4220	10.89	9.47	0.87	4482	10.07	8.76	0.87	4652

5. CAPACITIES AND SELECTION DATA

PERFORMANCE DATA (Cooling Operation at Rated Frequency)																													
RCI-5.0UFE1NH+RAS-5.0UFESMH1																													
CAPACITY: 12.10 kW SHF: 0.75 INPUT: 4240 W																													
INDOOR INDOOR DB (°C) WB(°C)		OUTDOOR DB (°C)																											
		21				25				27				30				35				40				46			
		Q	SHC	SHF	INPUT	Q	SHC	SHF	INPUT	Q	SHC	SHF	INPUT	Q	SHC	SHF	INPUT	Q	SHC	SHF	INPUT	Q	SHC	SHF	INPUT	Q	SHC	SHF	INPUT
29	20	14.93	11.50	0.77	3477	14.29	11.00	0.77	3656	13.74	10.58	0.77	3824	13.21	10.17	0.77	4000	12.46	9.60	0.77	4260	11.44	8.81	0.77	4524	10.58	8.15	0.77	4696
29	22	15.83	10.29	0.65	3509	15.15	9.84	0.65	3689	14.56	9.47	0.65	3859	14.00	9.10	0.65	4037	13.21	8.59	0.65	4299	12.13	7.88	0.65	4566	11.22	7.29	0.65	4739
29	24	16.78	8.89	0.53	3541	16.05	8.51	0.53	3724	15.44	8.18	0.53	3895	14.84	7.87	0.53	4074	14.00	7.42	0.53	4339	12.86	6.81	0.53	4608	11.89	6.30	0.53	4783
29	26	17.62	7.22	0.41	3574	16.86	6.91	0.41	3758	16.21	6.65	0.41	3931	15.59	6.39	0.41	4112	14.70	6.03	0.41	4379	13.50	5.53	0.41	4650	12.49	5.12	0.41	4827
30	18	14.21	12.36	0.87	3444	13.60	11.83	0.87	3622	13.07	11.37	0.87	3788	12.57	10.94	0.87	3963	11.86	10.32	0.87	4220	10.89	9.47	0.87	4482	10.07	8.76	0.87	4652
30	20	14.93	12.09	0.81	3477	14.29	11.57	0.81	3656	13.74	11.13	0.81	3824	13.21	10.70	0.81	4000	12.46	10.10	0.81	4260	11.44	9.27	0.81	4524	10.58	8.57	0.81	4696
30	22	15.83	10.92	0.69	3509	15.15	10.45	0.69	3689	14.56	10.05	0.69	3859	14.00	9.66	0.69	4037	13.21	9.12	0.69	4299	12.13	8.37	0.69	4566	11.22	7.74	0.69	4739
30	24	16.78	9.56	0.57	3541	16.05	9.15	0.57	3724	15.44	8.80	0.57	3895	14.84	8.46	0.57	4074	14.00	7.98	0.57	4339	12.86	7.33	0.57	4608	11.89	6.78	0.57	4783
30	26	17.62	7.93	0.45	3574	16.86	7.59	0.45	3758	16.21	7.29	0.45	3931	15.59	7.01	0.45	4112	14.70	6.62	0.45	4379	13.50	6.07	0.45	4650	12.49	5.62	0.45	4827
31	18	14.21	12.36	0.87	3444	13.60	11.83	0.87	3622	13.07	11.37	0.87	3788	12.57	10.94	0.87	3963	11.86	10.32	0.87	4220	10.89	9.47	0.87	4482	10.07	8.76	0.87	4652
31	20	14.93	12.69	0.85	3477	14.29	12.15	0.85	3656	13.74	11.68	0.85	3824	13.21	11.23	0.85	4000	12.46	10.59	0.85	4260	11.44	9.72	0.85	4524	10.58	9.00	0.85	4696
31	22	15.83	11.55	0.73	3509	15.15	11.06	0.73	3689	14.56	10.63	0.73	3859	14.00	10.22	0.73	4037	13.21	9.64	0.73	4299	12.13	8.85	0.73	4566	11.22	8.19	0.73	4739
31	24	16.78	10.23	0.61	3541	16.05	9.79	0.61	3724	15.44	9.42	0.61	3895	14.84	9.05	0.61	4074	14.00	8.54	0.61	4339	12.86	7.84	0.61	4608	11.89	7.25	0.61	4783
31	26	17.62	8.63	0.49	3574	16.86	8.26	0.49	3758	16.21	7.94	0.49	3931	15.59	7.64	0.49	4112	14.70	7.20	0.49	4379	13.50	6.61	0.49	4650	12.49	6.12	0.49	4827
32	18	14.21	12.36	0.87	3444	13.60	11.83	0.87	3622	13.07	11.37	0.87	3788	12.57	10.94	0.87	3963	11.86	10.32	0.87	4220	10.89	9.47	0.87	4482	10.07	8.76	0.87	4652
32	20	14.93	12.99	0.87	3477	14.29	12.43	0.87	3656	13.74	11.95	0.87	3824	13.21	11.49	0.87	4000	12.46	10.84	0.87	4260	11.44	9.95	0.87	4524	10.58	9.21	0.87	4696
32	22	15.83	12.19	0.77	3509	15.15	11.66	0.77	3689	14.56	11.21	0.77	3859	14.00	10.78	0.77	4037	13.21	10.17	0.77	4299	12.13	9.34	0.77	4566	11.22	8.64	0.77	4739
32	24	16.78	10.91	0.65	3541	16.05	10.44	0.65	3724	15.44	10.03	0.65	3895	14.84	9.65	0.65	4074	14.00	9.10	0.65	4339	12.86	8.36	0.65	4608	11.89	7.73	0.65	4783
32	26	17.62	9.34	0.53	3574	16.86	8.93	0.53	3758	16.21	8.59	0.53	3931	15.59	8.26	0.53	4112	14.70	7.79	0.53	4379	13.50	7.15	0.53	4650	12.49	6.62	0.53	4827

Remarks:
 Q: Total Cooling Capacity (Gross) **kW**
 SHC: Sensible Heat Capacity (Gross)
 SHF: Sensible Capacity ratio
 INPUT: Power Input (including the compressor, evap. fan motor & cond. fan motor) **W**
 DB: Dry Bulb Temperature
 WB: Wet Bulb Temperature

5. CAPACITIES AND SELECTION DATA

PERFORMANCE DATA (Cooling Operation at Rated Frequency)																													
RCI-6.0UFE1NH+RAS-6.0UFESM1																													
CAPACITY: 13.89 kW SHF: 0.71 INPUT: 4810 W																													
INDOOR INDOOR DB (°C) WB(°C)		OUTDOOR DB (°C)																											
		21				25				27				30				35				40				46			
		Q	SHC	SHF	INPUT	Q	SHC	SHF	INPUT	Q	SHC	SHF	INPUT	Q	SHC	SHF	INPUT	Q	SHC	SHF	INPUT	Q	SHC	SHF	INPUT	Q	SHC	SHF	INPUT
21	18	16.31	8.64	0.53	3909	15.61	8.27	0.53	4111	15.01	7.95	0.53	4300	14.43	7.65	0.53	4498	13.61	7.21	0.53	4790	12.50	6.62	0.53	5087	11.56	6.13	0.53	5280
21	20	17.14	7.03	0.41	3942	16.40	6.73	0.41	4145	15.77	6.47	0.41	4336	15.17	6.22	0.41	4535	14.31	5.87	0.41	4830	13.13	5.38	0.41	5129	12.15	4.98	0.41	5324
22	18	16.31	9.30	0.57	3909	15.61	8.90	0.57	4111	15.01	8.55	0.57	4300	14.43	8.22	0.57	4498	13.61	7.76	0.57	4790	12.50	7.12	0.57	5087	11.56	6.59	0.57	5280
22	20	17.14	7.71	0.45	3942	16.40	7.38	0.45	4145	15.77	7.10	0.45	4336	15.17	6.82	0.45	4535	14.31	6.44	0.45	4830	13.13	5.91	0.45	5129	12.15	5.47	0.45	5324
22	22	18.17	6.00	0.33	3974	17.39	5.74	0.33	4179	16.72	5.52	0.33	4371	16.08	5.30	0.33	4572	15.17	5.00	0.33	4869	13.92	4.59	0.33	5171	12.88	4.25	0.33	5367
23	18	16.31	9.95	0.61	3909	15.61	9.52	0.61	4111	15.01	9.15	0.61	4300	14.43	8.80	0.61	4498	13.61	8.30	0.61	4790	12.50	7.62	0.61	5087	11.56	7.05	0.61	5280
23	20	17.14	8.40	0.49	3942	16.40	8.04	0.49	4145	15.77	7.73	0.49	4336	15.17	7.43	0.49	4535	14.31	7.01	0.49	4830	13.13	6.44	0.49	5129	12.15	5.95	0.49	5324
23	22	18.17	6.72	0.37	3974	17.39	6.43	0.37	4179	16.72	6.19	0.37	4371	16.08	5.95	0.37	4572	15.17	5.61	0.37	4869	13.92	5.15	0.37	5171	12.88	4.76	0.37	5367
24	18	16.31	10.60	0.65	3909	15.61	10.14	0.65	4111	15.01	9.75	0.65	4300	14.43	9.38	0.65	4498	13.61	8.85	0.65	4790	12.50	8.12	0.65	5087	11.56	7.51	0.65	5280
24	20	17.14	9.08	0.53	3942	16.40	8.69	0.53	4145	15.77	8.36	0.53	4336	15.17	8.04	0.53	4535	14.31	7.58	0.53	4830	13.13	6.96	0.53	5129	12.15	6.44	0.53	5324
24	22	18.17	7.45	0.41	3974	17.39	7.13	0.41	4179	16.72	6.85	0.41	4371	16.08	6.59	0.41	4572	15.17	6.22	0.41	4869	13.92	5.71	0.41	5171	12.88	5.28	0.41	5367
24	24	19.26	5.59	0.29	4006	18.43	5.34	0.29	4213	17.72	5.14	0.29	4407	17.04	4.94	0.29	4610	16.08	4.66	0.29	4909	14.76	4.28	0.29	5213	13.65	3.96	0.29	5411
25	18	16.31	11.25	0.69	3909	15.61	10.77	0.69	4111	15.01	10.35	0.69	4300	14.43	9.96	0.69	4498	13.61	9.39	0.69	4790	12.50	8.62	0.69	5087	11.56	7.98	0.69	5280
25	20	17.14	9.77	0.57	3942	16.40	9.35	0.57	4145	15.77	8.99	0.57	4336	15.17	8.64	0.57	4535	14.31	8.15	0.57	4830	13.13	7.49	0.57	5129	12.15	6.92	0.57	5324
25	22	18.17	8.18	0.45	3974	17.39	7.82	0.45	4179	16.72	7.52	0.45	4371	16.08	7.23	0.45	4572	15.17	6.82	0.45	4869	13.92	6.26	0.45	5171	12.88	5.79	0.45	5367
25	24	19.26	6.36	0.33	4006	18.43	6.08	0.33	4213	17.72	5.85	0.33	4407	17.04	5.62	0.33	4610	16.08	5.30	0.33	4909	14.76	4.87	0.33	5213	13.65	4.50	0.33	5411
26	18	16.31	11.91	0.73	3909	15.61	11.39	0.73	4111	15.01	10.95	0.73	4300	14.43	10.53	0.73	4498	13.61	9.94	0.73	4790	12.50	9.12	0.73	5087	11.56	8.44	0.73	5280
26	20	17.14	10.46	0.61	3942	16.40	10.01	0.61	4145	15.77	9.62	0.61	4336	15.17	9.25	0.61	4535	14.31	8.73	0.61	4830	13.13	8.01	0.61	5129	12.15	7.41	0.61	5324
26	22	18.17	8.90	0.49	3974	17.39	8.52	0.49	4179	16.72	8.19	0.49	4371	16.08	7.88	0.49	4572	15.17	7.43	0.49	4869	13.92	6.82	0.49	5171	12.88	6.31	0.49	5367
26	24	19.26	7.13	0.37	4006	18.43	6.82	0.37	4213	17.72	6.56	0.37	4407	17.04	6.30	0.37	4610	16.08	5.95	0.37	4909	14.76	5.46	0.37	5213	13.65	5.05	0.37	5411
26	26	20.22	5.06	0.25	4039	19.35	4.84	0.25	4247	18.61	4.65	0.25	4443	17.89	4.47	0.25	4647	16.88	4.22	0.25	4949	15.49	3.87	0.25	5256	14.33	3.58	0.25	5456
27	18	16.31	12.56	0.77	3909	15.61	12.02	0.77	4111	15.01	11.55	0.77	4300	14.43	11.11	0.77	4498	13.61	10.48	0.77	4790	12.50	9.62	0.77	5087	11.56	8.90	0.77	5280
27	19	16.64	11.82	0.71	3926	15.92	11.31	0.71	4128	15.31	10.87	0.71	4318	14.72	10.45	0.71	4517	13.89	9.86	0.71	4810	12.75	9.05	0.71	5108	11.79	8.37	0.71	5302
27	20	17.14	11.14	0.65	3942	16.40	10.66	0.65	4145	15.77	10.25	0.65	4336	15.17	9.86	0.65	4535	14.31	9.30	0.65	4830	13.13	8.54	0.65	5129	12.15	7.90	0.65	5324
27	22	18.17	9.63	0.53	3974	17.39	9.21	0.53	4179	16.72	8.86	0.53	4371	16.08	8.52	0.53	4572	15.17	8.04	0.53	4869	13.92	7.38	0.53	5171	12.88	6.83	0.53	5367
27	24	19.26	7.90	0.41	4006	18.43	7.56	0.41	4213	17.72	7.27	0.41	4407	17.04	6.99	0.41	4610	16.08	6.59	0.41	4909	14.76	6.05	0.41	5213	13.65	5.60	0.41	5411
27	26	20.22	5.86	0.29	4039	19.35	5.61	0.29	4247	18.61	5.40	0.29	4443	17.89	5.19	0.29	4647	16.88	4.89	0.29	4949	15.49	4.49	0.29	5256	14.33	4.16	0.29	5456
28	18	16.31	13.21	0.81	3909	15.61	12.64	0.81	4111	15.01	12.15	0.81	4300	14.43	11.69	0.81	4498	13.61	11.03	0.81	4790	12.50	10.12	0.81	5087	11.56	9.36	0.81	5280
28	20	17.14	11.83	0.69	3942	16.40	11.32	0.69	4145	15.77	10.88	0.69	4336	15.17	10.46	0.69	4535	14.31	9.87	0.69	4830	13.13	9.06	0.69	5129	12.15	8.38	0.69	5324
28	22	18.17	10.36	0.57	3974	17.39	9.91	0.57	4179	16.72	9.53	0.57	4371	16.08	9.16	0.57	4572	15.17	8.64	0.57	4869	13.92	7.94	0.57	5171	12.88	7.34	0.57	5367
28	24	19.26	8.67	0.45	4006	18.43	8.29	0.45	4213	17.72	7.97	0.45	4407	17.04	7.67	0.45	4610	16.08	7.23	0.45	4909	14.76	6.64	0.45	5213	13.65	6.14	0.45	5411
28	26	20.22	6.67	0.33	4039	19.35	6.39	0.33	4247	18.61	6.14	0.33	4443	17.89	5.90	0.33	4647	16.88	5.57	0.33	4949	15.49	5.11	0.33	5256	14.33	4.73	0.33	5456
29	18	16.31	13.54	0.83	3909	15.61	12.95	0.83	4111	15.01	12.46	0.83	4300	14.43	11.98	0.83	4498	13.61	11.30	0.83	4790	12.50	10.37	0.83	5087	11.56	9.59	0.83	5280

5. CAPACITIES AND SELECTION DATA

PERFORMANCE DATA (Cooling Operation at Rated Frequency)																													
RCI-6.0UFE1NH+RAS-6.0UFESMH1																													
CAPACITY: 13.89 kW SHF: 0.71 INPUT: 4810 W																													
INDOOR INDOOR DB (°C) WB(°C)		OUTDOOR DB (°C)																											
		21				25				27				30				35				40				46			
		Q	SHC	SHF	INPUT	Q	SHC	SHF	INPUT	Q	SHC	SHF	INPUT	Q	SHC	SHF	INPUT	Q	SHC	SHF	INPUT	Q	SHC	SHF	INPUT	Q	SHC	SHF	INPUT
29	20	17.14	12.51	0.73	3942	16.40	11.97	0.73	4145	15.77	11.51	0.73	4336	15.17	11.07	0.73	4535	14.31	10.44	0.73	4830	13.13	9.59	0.73	5129	12.15	8.87	0.73	5324
29	22	18.17	11.08	0.61	3974	17.39	10.61	0.61	4179	16.72	10.20	0.61	4371	16.08	9.81	0.61	4572	15.17	9.25	0.61	4869	13.92	8.49	0.61	5171	12.88	7.86	0.61	5367
29	24	19.26	9.44	0.49	4006	18.43	9.03	0.49	4213	17.72	8.68	0.49	4407	17.04	8.35	0.49	4610	16.08	7.88	0.49	4909	14.76	7.23	0.49	5213	13.65	6.69	0.49	5411
29	26	20.22	7.48	0.37	4039	19.35	7.16	0.37	4247	18.61	6.88	0.37	4443	17.89	6.62	0.37	4647	16.88	6.25	0.37	4949	15.49	5.73	0.37	5256	14.33	5.30	0.37	5456
30	18	16.31	13.54	0.83	3909	15.61	12.95	0.83	4111	15.01	12.46	0.83	4300	14.43	11.98	0.83	4498	13.61	11.30	0.83	4790	12.50	10.37	0.83	5087	11.56	9.59	0.83	5280
30	20	17.14	13.20	0.77	3942	16.40	12.63	0.77	4145	15.77	12.14	0.77	4336	15.17	11.68	0.77	4535	14.31	11.02	0.77	4830	13.13	10.11	0.77	5129	12.15	9.35	0.77	5324
30	22	18.17	11.81	0.65	3974	17.39	11.30	0.65	4179	16.72	10.87	0.65	4371	16.08	10.45	0.65	4572	15.17	9.86	0.65	4869	13.92	9.05	0.65	5171	12.88	8.37	0.65	5367
30	24	19.26	10.21	0.53	4006	18.43	9.77	0.53	4213	17.72	9.39	0.53	4407	17.04	9.03	0.53	4610	16.08	8.52	0.53	4909	14.76	7.82	0.53	5213	13.65	7.23	0.53	5411
30	26	20.22	8.29	0.41	4039	19.35	7.93	0.41	4247	18.61	7.63	0.41	4443	17.89	7.34	0.41	4647	16.88	6.92	0.41	4949	15.49	6.35	0.41	5256	14.33	5.88	0.41	5456
31	18	16.31	13.54	0.83	3909	15.61	12.95	0.83	4111	15.01	12.46	0.83	4300	14.43	11.98	0.83	4498	13.61	11.30	0.83	4790	12.50	10.37	0.83	5087	11.56	9.59	0.83	5280
31	20	17.14	13.88	0.81	3942	16.40	13.29	0.81	4145	15.77	12.78	0.81	4336	15.17	12.28	0.81	4535	14.31	11.59	0.81	4830	13.13	10.64	0.81	5129	12.15	9.84	0.81	5324
31	22	18.17	12.54	0.69	3974	17.39	12.00	0.69	4179	16.72	11.54	0.69	4371	16.08	11.09	0.69	4572	15.17	10.46	0.69	4869	13.92	9.61	0.69	5171	12.88	8.89	0.69	5367
31	24	19.26	10.98	0.57	4006	18.43	10.51	0.57	4213	17.72	10.10	0.57	4407	17.04	9.71	0.57	4610	16.08	9.16	0.57	4909	14.76	8.41	0.57	5213	13.65	7.78	0.57	5411
31	26	20.22	9.10	0.45	4039	19.35	8.71	0.45	4247	18.61	8.37	0.45	4443	17.89	8.05	0.45	4647	16.88	7.60	0.45	4949	15.49	6.97	0.45	5256	14.33	6.45	0.45	5456
32	18	16.31	13.54	0.83	3909	15.61	12.95	0.83	4111	15.01	12.46	0.83	4300	14.43	11.98	0.83	4498	13.61	11.30	0.83	4790	12.50	10.37	0.83	5087	11.56	9.59	0.83	5280
32	20	17.14	14.23	0.83	3942	16.40	13.61	0.83	4145	15.77	13.09	0.83	4336	15.17	12.59	0.83	4535	14.31	11.87	0.83	4830	13.13	10.90	0.83	5129	12.15	10.08	0.83	5324
32	22	18.17	13.26	0.73	3974	17.39	12.69	0.73	4179	16.72	12.20	0.73	4371	16.08	11.73	0.73	4572	15.17	11.07	0.73	4869	13.92	10.16	0.73	5171	12.88	9.40	0.73	5367
32	24	19.26	11.75	0.61	4006	18.43	11.24	0.61	4213	17.72	10.81	0.61	4407	17.04	10.39	0.61	4610	16.08	9.81	0.61	4909	14.76	9.00	0.61	5213	13.65	8.33	0.61	5411
32	26	20.22	9.91	0.49	4039	19.35	9.48	0.49	4247	18.61	9.12	0.49	4443	17.89	8.77	0.49	4647	16.88	8.27	0.49	4949	15.49	7.59	0.49	5256	14.33	7.02	0.49	5456

Remarks:
 Q: Total Cooling Capacity (Gross) **kW**
 SHC: Sensible Heat Capacity (Gross)
 SHF: Sensible Capacity ratio
 INPUT: Power Input (including the compressor, evap. fan motor & cond. fan motor) **W**
 DB: Dry Bulb Temperature
 WB: Wet Bulb Temperature

5. CAPACITIES AND SELECTION DATA

PERFORMANCE DATA (Cooling Operation at Rated Frequency)																													
RCI-6.5UFE1NH+RAS-6.5UFESM1																													
CAPACITY: 16.90 kW SHF: 0.71 INPUT: 6720 W																													
INDOOR INDOOR DB (°C) WB(°C)		OUTDOOR DB (°C)																											
		21				25				27				30				35				40				46			
		Q	SHC	SHF	INPUT	Q	SHC	SHF	INPUT	Q	SHC	SHF	INPUT	Q	SHC	SHF	INPUT	Q	SHC	SHF	INPUT	Q	SHC	SHF	INPUT	Q	SHC	SHF	INPUT
21	18	19.84	10.32	0.52	5468	18.99	9.87	0.52	5750	18.26	9.49	0.52	6014	17.56	9.13	0.52	6291	16.56	8.61	0.52	6700	15.20	7.91	0.52	7115	14.06	7.31	0.52	7386
21	20	20.86	8.34	0.40	5501	19.96	7.98	0.40	5784	19.19	7.68	0.40	6050	18.45	7.38	0.40	6329	17.41	6.96	0.40	6740	15.98	6.39	0.40	7158	14.78	5.91	0.40	7430
22	18	19.84	11.11	0.56	5468	18.99	10.63	0.56	5750	18.26	10.22	0.56	6014	17.56	9.83	0.56	6291	16.56	9.27	0.56	6700	15.20	8.51	0.56	7115	14.06	7.88	0.56	7386
22	20	20.86	9.18	0.44	5501	19.96	8.78	0.44	5784	19.19	8.44	0.44	6050	18.45	8.12	0.44	6329	17.41	7.66	0.44	6740	15.98	7.03	0.44	7158	14.78	6.50	0.44	7430
22	22	22.11	7.07	0.32	5533	21.15	6.77	0.32	5818	20.34	6.51	0.32	6085	19.56	6.26	0.32	6365	18.45	5.90	0.32	6779	16.94	5.42	0.32	7199	15.67	5.01	0.32	7473
23	18	19.84	11.91	0.60	5468	18.99	11.39	0.60	5750	18.26	10.95	0.60	6014	17.56	10.53	0.60	6291	16.56	9.94	0.60	6700	15.20	9.12	0.60	7115	14.06	8.44	0.60	7386
23	20	20.86	10.01	0.48	5501	19.96	9.58	0.48	5784	19.19	9.21	0.48	6050	18.45	8.86	0.48	6329	17.41	8.36	0.48	6740	15.98	7.67	0.48	7158	14.78	7.09	0.48	7430
23	22	22.11	7.96	0.36	5533	21.15	7.62	0.36	5818	20.34	7.32	0.36	6085	19.56	7.04	0.36	6365	18.45	6.64	0.36	6779	16.94	6.10	0.36	7199	15.67	5.64	0.36	7473
24	18	19.84	12.70	0.64	5468	18.99	12.15	0.64	5750	18.26	11.69	0.64	6014	17.56	11.24	0.64	6291	16.56	10.60	0.64	6700	15.20	9.73	0.64	7115	14.06	9.00	0.64	7386
24	20	20.86	10.84	0.52	5501	19.96	10.38	0.52	5784	19.19	9.98	0.52	6050	18.45	9.59	0.52	6329	17.41	9.05	0.52	6740	15.98	8.31	0.52	7158	14.78	7.69	0.52	7430
24	22	22.11	8.84	0.40	5533	21.15	8.46	0.40	5818	20.34	8.14	0.40	6085	19.56	7.82	0.40	6365	18.45	7.38	0.40	6779	16.94	6.78	0.40	7199	15.67	6.27	0.40	7473
24	24	23.43	6.56	0.28	5565	22.42	6.28	0.28	5852	21.56	6.04	0.28	6121	20.73	5.80	0.28	6403	19.56	5.48	0.28	6819	17.95	5.03	0.28	7242	16.61	4.65	0.28	7517
25	18	19.84	13.49	0.68	5468	18.99	12.91	0.68	5750	18.26	12.42	0.68	6014	17.56	11.94	0.68	6291	16.56	11.26	0.68	6700	15.20	10.34	0.68	7115	14.06	9.56	0.68	7386
25	20	20.86	11.68	0.56	5501	19.96	11.18	0.56	5784	19.19	10.75	0.56	6050	18.45	10.33	0.56	6329	17.41	9.75	0.56	6740	15.98	8.95	0.56	7158	14.78	8.28	0.56	7430
25	22	22.11	9.73	0.44	5533	21.15	9.31	0.44	5818	20.34	8.95	0.44	6085	19.56	8.61	0.44	6365	18.45	8.12	0.44	6779	16.94	7.45	0.44	7199	15.67	6.89	0.44	7473
25	24	23.43	7.50	0.32	5565	22.42	7.18	0.32	5852	21.56	6.90	0.32	6121	20.73	6.63	0.32	6403	19.56	6.26	0.32	6819	17.95	5.75	0.32	7242	16.61	5.31	0.32	7517
26	18	19.84	14.29	0.72	5468	18.99	13.67	0.72	5750	18.26	13.15	0.72	6014	17.56	12.64	0.72	6291	16.56	11.92	0.72	6700	15.20	10.95	0.72	7115	14.06	10.13	0.72	7386
26	20	20.86	12.51	0.60	5501	19.96	11.97	0.60	5784	19.19	11.51	0.60	6050	18.45	11.07	0.60	6329	17.41	10.44	0.60	6740	15.98	9.59	0.60	7158	14.78	8.87	0.60	7430
26	22	22.11	10.61	0.48	5533	21.15	10.15	0.48	5818	20.34	9.76	0.48	6085	19.56	9.39	0.48	6365	18.45	8.86	0.48	6779	16.94	8.13	0.48	7199	15.67	7.52	0.48	7473
26	24	23.43	8.44	0.36	5565	22.42	8.07	0.36	5852	21.56	7.76	0.36	6121	20.73	7.46	0.36	6403	19.56	7.04	0.36	6819	17.95	6.46	0.36	7242	16.61	5.98	0.36	7517
26	26	24.60	5.91	0.24	5598	23.54	5.65	0.24	5886	22.64	5.43	0.24	6157	21.77	5.22	0.24	6441	20.54	4.93	0.24	6859	18.85	4.52	0.24	7284	17.44	4.19	0.24	7561
27	18	19.84	15.08	0.76	5468	18.99	14.43	0.76	5750	18.26	13.88	0.76	6014	17.56	13.34	0.76	6291	16.56	12.59	0.76	6700	15.20	11.55	0.76	7115	14.06	10.69	0.76	7386
27	19	20.25	14.17	0.70	5484	19.38	13.56	0.70	5767	18.63	13.04	0.70	6032	17.91	12.54	0.70	6310	16.90	11.83	0.70	6720	15.51	10.86	0.70	7137	14.35	10.05	0.70	7408
27	20	20.86	13.35	0.64	5501	19.96	12.77	0.64	5784	19.19	12.28	0.64	6050	18.45	11.81	0.64	6329	17.41	11.14	0.64	6740	15.98	10.23	0.64	7158	14.78	9.46	0.64	7430
27	22	22.11	11.50	0.52	5533	21.15	11.00	0.52	5818	20.34	10.58	0.52	6085	19.56	10.17	0.52	6365	18.45	9.59	0.52	6779	16.94	8.81	0.52	7199	15.67	8.15	0.52	7473
27	24	23.43	9.37	0.40	5565	22.42	8.97	0.40	5852	21.56	8.62	0.40	6121	20.73	8.29	0.40	6403	19.56	7.82	0.40	6819	17.95	7.18	0.40	7242	16.61	6.64	0.40	7517
27	26	24.60	6.89	0.28	5598	23.54	6.59	0.28	5886	22.64	6.34	0.28	6157	21.77	6.10	0.28	6441	20.54	5.75	0.28	6859	18.85	5.28	0.28	7284	17.44	4.88	0.28	7561
28	18	19.84	15.87	0.80	5468	18.99	15.19	0.80	5750	18.26	14.61	0.80	6014	17.56	14.04	0.80	6291	16.56	13.25	0.80	6700	15.20	12.16	0.80	7115	14.06	11.25	0.80	7386
28	20	20.86	14.18	0.68	5501	19.96	13.57	0.68	5784	19.19	13.05	0.68	6050	18.45	12.55	0.68	6329	17.41	11.84	0.68	6740	15.98	10.87	0.68	7158	14.78	10.05	0.68	7430
28	22	22.11	12.38	0.56	5533	21.15	11.85	0.56	5818	20.34	11.39	0.56	6085	19.56	10.95	0.56	6365	18.45	10.33	0.56	6779	16.94	9.49	0.56	7199	15.67	8.77	0.56	7473
28	24	23.43	10.31	0.44	5565	22.42	9.87	0.44	5852	21.56	9.49	0.44	6121	20.73	9.12	0.44	6403	19.56	8.61	0.44	6819	17.95	7.90	0.44	7242	16.61	7.31	0.44	7517
28	26	24.60	7.87	0.32	5598	23.54	7.53	0.32	5886	22.64	7.24	0.32	6157	21.77	6.97	0.32	6441	20.54	6.57	0.32	6859	18.85	6.03	0.32	7284	17.44	5.58	0.32	7561
29	18	19.84	16.27	0.82	5468	18.99	15.57	0.82	5750	18.26	14.97	0.82	6014	17.56	14.40	0.82	6291	16.56	13.58	0.82	6700	15.20	12.47	0.82	7115	14.06	11.53	0.82	7386

5. CAPACITIES AND SELECTION DATA

PERFORMANCE DATA (Cooling Operation at Rated Frequency)																													
RCI-6.5UFE1NH+RAS-6.5UFESMH1																													
CAPACITY: 16.90 kW SHF: 0.71 INPUT: 6720 W																													
INDOOR INDOOR DB (°C) WB(°C)		OUTDOOR DB (°C)																											
		21				25				27				30				35				40				46			
		Q	SHC	SHF	INPUT	Q	SHC	SHF	INPUT	Q	SHC	SHF	INPUT	Q	SHC	SHF	INPUT	Q	SHC	SHF	INPUT	Q	SHC	SHF	INPUT	Q	SHC	SHF	INPUT
29	20	20.86	15.02	0.72	5501	19.96	14.37	0.72	5784	19.19	13.82	0.72	6050	18.45	13.29	0.72	6329	17.41	12.53	0.72	6740	15.98	11.51	0.72	7158	14.78	10.64	0.72	7430
29	22	22.11	13.26	0.60	5533	21.15	12.69	0.60	5818	20.34	12.20	0.60	6085	19.56	11.74	0.60	6365	18.45	11.07	0.60	6779	16.94	10.16	0.60	7199	15.67	9.40	0.60	7473
29	24	23.43	11.25	0.48	5565	22.42	10.76	0.48	5852	21.56	10.35	0.48	6121	20.73	9.95	0.48	6403	19.56	9.39	0.48	6819	17.95	8.62	0.48	7242	16.61	7.97	0.48	7517
29	26	24.60	8.86	0.36	5598	23.54	8.48	0.36	5886	22.64	8.15	0.36	6157	21.77	7.84	0.36	6441	20.54	7.39	0.36	6859	18.85	6.79	0.36	7284	17.44	6.28	0.36	7561
30	18	19.84	16.27	0.82	5468	18.99	15.57	0.82	5750	18.26	14.97	0.82	6014	17.56	14.40	0.82	6291	16.56	13.58	0.82	6700	15.20	12.47	0.82	7115	14.06	11.53	0.82	7386
30	20	20.86	15.85	0.76	5501	19.96	15.17	0.76	5784	19.19	14.58	0.76	6050	18.45	14.02	0.76	6329	17.41	13.23	0.76	6740	15.98	12.14	0.76	7158	14.78	11.23	0.76	7430
30	22	22.11	14.15	0.64	5533	21.15	13.54	0.64	5818	20.34	13.02	0.64	6085	19.56	12.52	0.64	6365	18.45	11.81	0.64	6779	16.94	10.84	0.64	7199	15.67	10.03	0.64	7473
30	24	23.43	12.19	0.52	5565	22.42	11.66	0.52	5852	21.56	11.21	0.52	6121	20.73	10.78	0.52	6403	19.56	10.17	0.52	6819	17.95	9.34	0.52	7242	16.61	8.64	0.52	7517
30	26	24.60	9.84	0.40	5598	23.54	9.42	0.40	5886	22.64	9.06	0.40	6157	21.77	8.71	0.40	6441	20.54	8.21	0.40	6859	18.85	7.54	0.40	7284	17.44	6.98	0.40	7561
31	18	19.84	16.27	0.82	5468	18.99	15.57	0.82	5750	18.26	14.97	0.82	6014	17.56	14.40	0.82	6291	16.56	13.58	0.82	6700	15.20	12.47	0.82	7115	14.06	11.53	0.82	7386
31	20	20.86	16.68	0.80	5501	19.96	15.97	0.80	5784	19.19	15.35	0.80	6050	18.45	14.76	0.80	6329	17.41	13.93	0.80	6740	15.98	12.78	0.80	7158	14.78	11.82	0.80	7430
31	22	22.11	15.03	0.68	5533	21.15	14.39	0.68	5818	20.34	13.83	0.68	6085	19.56	13.30	0.68	6365	18.45	12.55	0.68	6779	16.94	11.52	0.68	7199	15.67	10.65	0.68	7473
31	24	23.43	13.12	0.56	5565	22.42	12.56	0.56	5852	21.56	12.07	0.56	6121	20.73	11.61	0.56	6403	19.56	10.95	0.56	6819	17.95	10.05	0.56	7242	16.61	9.30	0.56	7517
31	26	24.60	10.83	0.44	5598	23.54	10.36	0.44	5886	22.64	9.96	0.44	6157	21.77	9.58	0.44	6441	20.54	9.04	0.44	6859	18.85	8.30	0.44	7284	17.44	7.67	0.44	7561
32	18	19.84	16.27	0.82	5468	18.99	15.57	0.82	5750	18.26	14.97	0.82	6014	17.56	14.40	0.82	6291	16.56	13.58	0.82	6700	15.20	12.47	0.82	7115	14.06	11.53	0.82	7386
32	20	20.86	17.10	0.82	5501	19.96	16.36	0.82	5784	19.19	15.74	0.82	6050	18.45	15.13	0.82	6329	17.41	14.27	0.82	6740	15.98	13.10	0.82	7158	14.78	12.12	0.82	7430
32	22	22.11	15.92	0.72	5533	21.15	15.23	0.72	5818	20.34	14.65	0.72	6085	19.56	14.08	0.72	6365	18.45	13.29	0.72	6779	16.94	12.20	0.72	7199	15.67	11.28	0.72	7473
32	24	23.43	14.06	0.60	5565	22.42	13.45	0.60	5852	21.56	12.94	0.60	6121	20.73	12.44	0.60	6403	19.56	11.74	0.60	6819	17.95	10.77	0.60	7242	16.61	9.96	0.60	7517
32	26	24.60	11.81	0.48	5598	23.54	11.30	0.48	5886	22.64	10.87	0.48	6157	21.77	10.45	0.48	6441	20.54	9.86	0.48	6859	18.85	9.05	0.48	7284	17.44	8.37	0.48	7561

Remarks:
 Q: Total Cooling Capacity (Gross) **kW**
 SHC: Sensible Heat Capacity (Gross)
 SHF: Sensible Capacity ratio
 INPUT: Power Input (including the compressor, evap. fan motor & cond. fan motor) **W**
 DB: Dry Bulb Temperature
 WB: Wet Bulb Temperature

5. CAPACITIES AND SELECTION DATA

PERFORMANCE DATA (Cooling Operation at Rated Frequency)																																				
RCI-5.0UFE1NH+RAS-5.0UFESNH1																																				
CAPACITY: 12.70 kW SHF: 0.70 INPUT: 4310 W																																				
INDOOR INDOOR DB (°C) WB(°C)		OUTDOOR DB (°C)																																		
		21					25					27					30					35					40					46				
		Q	SHC	SHF	INPUT		Q	SHC	SHF	INPUT		Q	SHC	SHF	INPUT		Q	SHC	SHF	INPUT		Q	SHC	SHF	INPUT		Q	SHC	SHF	INPUT		Q	SHC	SHF	INPUT	
21	18	14.91	7.75	0.52	3501	14.27	7.42	0.52	3682	13.72	7.13	0.52	3851	13.19	6.86	0.52	4028	12.45	6.47	0.52	4290	11.43	5.94	0.52	4556	10.57	5.50	0.52	4729							
21	20	15.67	6.27	0.40	3534	15.00	6.00	0.40	3716	14.42	5.77	0.40	3887	13.87	5.55	0.40	4066	13.08	5.23	0.40	4330	12.01	4.80	0.40	4598	11.11	4.44	0.40	4773							
22	18	14.91	8.35	0.56	3501	14.27	7.99	0.56	3682	13.72	7.68	0.56	3851	13.19	7.39	0.56	4028	12.45	6.97	0.56	4290	11.43	6.40	0.56	4556	10.57	5.92	0.56	4729							
22	20	15.67	6.90	0.44	3534	15.00	6.60	0.44	3716	14.42	6.35	0.44	3887	13.87	6.10	0.44	4066	13.08	5.76	0.44	4330	12.01	5.28	0.44	4598	11.11	4.89	0.44	4773							
22	22	16.61	5.32	0.32	3566	15.90	5.09	0.32	3749	15.29	4.89	0.32	3922	14.70	4.70	0.32	4102	13.87	4.44	0.32	4369	12.73	4.07	0.32	4640	11.77	3.77	0.32	4816							
23	18	14.91	8.95	0.60	3501	14.27	8.56	0.60	3682	13.72	8.23	0.60	3851	13.19	7.92	0.60	4028	12.45	7.47	0.60	4290	11.43	6.86	0.60	4556	10.57	6.34	0.60	4729							
23	20	15.67	7.52	0.48	3534	15.00	7.20	0.48	3716	14.42	6.92	0.48	3887	13.87	6.66	0.48	4066	13.08	6.28	0.48	4330	12.01	5.76	0.48	4598	11.11	5.33	0.48	4773							
23	22	16.61	5.98	0.36	3566	15.90	5.72	0.36	3749	15.29	5.50	0.36	3922	14.70	5.29	0.36	4102	13.87	4.99	0.36	4369	12.73	4.58	0.36	4640	11.77	4.24	0.36	4816							
24	18	14.91	9.54	0.64	3501	14.27	9.13	0.64	3682	13.72	8.78	0.64	3851	13.19	8.44	0.64	4028	12.45	7.97	0.64	4290	11.43	7.31	0.64	4556	10.57	6.76	0.64	4729							
24	20	15.67	8.15	0.52	3534	15.00	7.80	0.52	3716	14.42	7.50	0.52	3887	13.87	7.21	0.52	4066	13.08	6.80	0.52	4330	12.01	6.24	0.52	4598	11.11	5.78	0.52	4773							
24	22	16.61	6.65	0.40	3566	15.90	6.36	0.40	3749	15.29	6.11	0.40	3922	14.70	5.88	0.40	4102	13.87	5.55	0.40	4369	12.73	5.09	0.40	4640	11.77	4.71	0.40	4816							
24	24	17.61	4.93	0.28	3598	16.85	4.72	0.28	3784	16.20	4.54	0.28	3958	15.58	4.36	0.28	4140	14.70	4.12	0.28	4409	13.49	3.78	0.28	4682	12.48	3.49	0.28	4860							
25	18	14.91	10.14	0.68	3501	14.27	9.70	0.68	3682	13.72	9.33	0.68	3851	13.19	8.97	0.68	4028	12.45	8.46	0.68	4290	11.43	7.77	0.68	4556	10.57	7.19	0.68	4729							
25	20	15.67	8.78	0.56	3534	15.00	8.40	0.56	3716	14.42	8.08	0.56	3887	13.87	7.76	0.56	4066	13.08	7.33	0.56	4330	12.01	6.72	0.56	4598	11.11	6.22	0.56	4773							
25	22	16.61	7.31	0.44	3566	15.90	6.99	0.44	3749	15.29	6.73	0.44	3922	14.70	6.47	0.44	4102	13.87	6.10	0.44	4369	12.73	5.60	0.44	4640	11.77	5.18	0.44	4816							
25	24	17.61	5.63	0.32	3598	16.85	5.39	0.32	3784	16.20	5.18	0.32	3958	15.58	4.99	0.32	4140	14.70	4.70	0.32	4409	13.49	4.32	0.32	4682	12.48	3.99	0.32	4860							
26	18	14.91	10.74	0.72	3501	14.27	10.27	0.72	3682	13.72	9.88	0.72	3851	13.19	9.50	0.72	4028	12.45	8.96	0.72	4290	11.43	8.23	0.72	4556	10.57	7.61	0.72	4729							
26	20	15.67	9.40	0.60	3534	15.00	9.00	0.60	3716	14.42	8.65	0.60	3887	13.87	8.32	0.60	4066	13.08	7.85	0.60	4330	12.01	7.21	0.60	4598	11.11	6.66	0.60	4773							
26	22	16.61	7.97	0.48	3566	15.90	7.63	0.48	3749	15.29	7.34	0.48	3922	14.70	7.05	0.48	4102	13.87	6.66	0.48	4369	12.73	6.11	0.48	4640	11.77	5.65	0.48	4816							
26	24	17.61	6.34	0.36	3598	16.85	6.07	0.36	3784	16.20	5.83	0.36	3958	15.58	5.61	0.36	4140	14.70	5.29	0.36	4409	13.49	4.86	0.36	4682	12.48	4.49	0.36	4860							
26	26	18.49	4.44	0.24	3631	17.69	4.25	0.24	3818	17.01	4.08	0.24	3994	16.36	3.93	0.24	4178	15.43	3.70	0.24	4449	14.17	3.40	0.24	4725	13.10	3.15	0.24	4904							
27	18	14.91	11.33	0.76	3501	14.27	10.84	0.76	3682	13.72	10.43	0.76	3851	13.19	10.03	0.76	4028	12.45	9.46	0.76	4290	11.43	8.68	0.76	4556	10.57	8.03	0.76	4729							
27	19	15.22	10.65	0.70	3518	14.56	10.19	0.70	3699	14.00	9.80	0.70	3869	13.46	9.42	0.70	4047	12.70	8.89	0.70	4310	11.66	8.16	0.70	4577	10.78	7.55	0.70	4751							
27	20	15.67	10.03	0.64	3534	15.00	9.60	0.64	3716	14.42	9.23	0.64	3887	13.87	8.87	0.64	4066	13.08	8.37	0.64	4330	12.01	7.69	0.64	4598	11.11	7.11	0.64	4773							
27	22	16.61	8.64	0.52	3566	15.90	8.27	0.52	3749	15.29	7.95	0.52	3922	14.70	7.64	0.52	4102	13.87	7.21	0.52	4369	12.73	6.62	0.52	4640	11.77	6.12	0.52	4816							
27	24	17.61	7.04	0.40	3598	16.85	6.74	0.40	3784	16.20	6.48	0.40	3958	15.58	6.23	0.40	4140	14.70	5.88	0.40	4409	13.49	5.40	0.40	4682	12.48	4.99	0.40	4860							
27	26	18.49	5.18	0.28	3631	17.69	4.95	0.28	3818	17.01	4.76	0.28	3994	16.36	4.58	0.28	4178	15.43	4.32	0.28	4449	14.17	3.97	0.28	4725	13.10	3.67	0.28	4904							
28	18	14.91	11.93	0.80	3501	14.27	11.42	0.80	3682	13.72	10.98	0.80	3851	13.19	10.55	0.80	4028	12.45	9.96	0.80	4290	11.43	9.14	0.80	4556	10.57	8.45	0.80	4729							
28	20	15.67	10.66	0.68	3534	15.00	10.20	0.68	3716	14.42	9.81	0.68	3887	13.87	9.43	0.68	4066	13.08	8.90	0.68	4330	12.01	8.17	0.68	4598	11.11	7.55	0.68	4773							
28	22	16.61	9.30	0.56	3566	15.90	8.90	0.56	3749	15.29	8.56	0.56	3922	14.70	8.23	0.56	4102	13.87	7.76	0.56	4369	12.73	7.13	0.56	4640	11.77	6.59	0.56	4816							
28	24	17.61	7.75	0.44	3598	16.85	7.41	0.44	3784	16.20	7.13	0.44	3958	15.58	6.86	0.44	4140	14.70	6.47	0.44	4409	13.49	5.94	0.44	4682	12.48	5.49	0.44	4860							

5. CAPACITIES AND SELECTION DATA

INDOOR INDOOR DB (°C) WB(°C)		PERFORMANCE DATA (Cooling Operation at Rated Frequency)																											
		RCI-5.0UFE1NH+RAS-5.0UFESNH1																											
		CAPACITY: 12.70 kW SHF: 0.70 INPUT: 4310 W																											
		OUTDOOR DB (°C)																											
		21				25				27				30				35				40				46			
		Q	SHC	SHF	INPUT	Q	SHC	SHF	INPUT	Q	SHC	SHF	INPUT	Q	SHC	SHF	INPUT	Q	SHC	SHF	INPUT	Q	SHC	SHF	INPUT	Q	SHC	SHF	INPUT
28	26	18.49	5.92	0.32	3631	17.69	5.66	0.32	3818	17.01	5.44	0.32	3994	16.36	5.23	0.32	4178	15.43	4.94	0.32	4449	14.17	4.53	0.32	4725	13.10	4.19	0.32	4904
29	18	14.91	12.23	0.82	3501	14.27	11.70	0.82	3682	13.72	11.25	0.82	3851	13.19	10.82	0.82	4028	12.45	10.21	0.82	4290	11.43	9.37	0.82	4556	10.57	8.67	0.82	4729
29	20	15.67	11.28	0.72	3534	15.00	10.80	0.72	3716	14.42	10.38	0.72	3887	13.87	9.98	0.72	4066	13.08	9.42	0.72	4330	12.01	8.65	0.72	4598	11.11	8.00	0.72	4773
29	22	16.61	9.97	0.60	3566	15.90	9.54	0.60	3749	15.29	9.17	0.60	3922	14.70	8.82	0.60	4102	13.87	8.32	0.60	4369	12.73	7.64	0.60	4640	11.77	7.06	0.60	4816
29	24	17.61	8.45	0.48	3598	16.85	8.09	0.48	3784	16.20	7.78	0.48	3958	15.58	7.48	0.48	4140	14.70	7.05	0.48	4409	13.49	6.48	0.48	4682	12.48	5.99	0.48	4860
29	26	18.49	6.66	0.36	3631	17.69	6.37	0.36	3818	17.01	6.12	0.36	3994	16.36	5.89	0.36	4178	15.43	5.56	0.36	4449	14.17	5.10	0.36	4725	13.10	4.72	0.36	4904
30	18	14.91	12.23	0.82	3501	14.27	11.70	0.82	3682	13.72	11.25	0.82	3851	13.19	10.82	0.82	4028	12.45	10.21	0.82	4290	11.43	9.37	0.82	4556	10.57	8.67	0.82	4729
30	20	15.67	11.91	0.76	3534	15.00	11.40	0.76	3716	14.42	10.96	0.76	3887	13.87	10.54	0.76	4066	13.08	9.94	0.76	4330	12.01	9.13	0.76	4598	11.11	8.44	0.76	4773
30	22	16.61	10.63	0.64	3566	15.90	10.17	0.64	3749	15.29	9.78	0.64	3922	14.70	9.41	0.64	4102	13.87	8.87	0.64	4369	12.73	8.15	0.64	4640	11.77	7.54	0.64	4816
30	24	17.61	9.16	0.52	3598	16.85	8.76	0.52	3784	16.20	8.43	0.52	3958	15.58	8.10	0.52	4140	14.70	7.64	0.52	4409	13.49	7.02	0.52	4682	12.48	6.49	0.52	4860
30	26	18.49	7.40	0.40	3631	17.69	7.08	0.40	3818	17.01	6.81	0.40	3994	16.36	6.54	0.40	4178	15.43	6.17	0.40	4449	14.17	5.67	0.40	4725	13.10	5.24	0.40	4904
31	18	14.91	12.23	0.82	3501	14.27	11.70	0.82	3682	13.72	11.25	0.82	3851	13.19	10.82	0.82	4028	12.45	10.21	0.82	4290	11.43	9.37	0.82	4556	10.57	8.67	0.82	4729
31	20	15.67	12.54	0.80	3534	15.00	12.00	0.80	3716	14.42	11.54	0.80	3887	13.87	11.09	0.80	4066	13.08	10.46	0.80	4330	12.01	9.61	0.80	4598	11.11	8.89	0.80	4773
31	22	16.61	11.30	0.68	3566	15.90	10.81	0.68	3749	15.29	10.39	0.68	3922	14.70	9.99	0.68	4102	13.87	9.43	0.68	4369	12.73	8.66	0.68	4640	11.77	8.01	0.68	4816
31	24	17.61	9.86	0.56	3598	16.85	9.44	0.56	3784	16.20	9.07	0.56	3958	15.58	8.72	0.56	4140	14.70	8.23	0.56	4409	13.49	7.56	0.56	4682	12.48	6.99	0.56	4860
31	26	18.49	8.14	0.44	3631	17.69	7.79	0.44	3818	17.01	7.49	0.44	3994	16.36	7.20	0.44	4178	15.43	6.79	0.44	4449	14.17	6.23	0.44	4725	13.10	5.77	0.44	4904
32	18	14.91	12.23	0.82	3501	14.27	11.70	0.82	3682	13.72	11.25	0.82	3851	13.19	10.82	0.82	4028	12.45	10.21	0.82	4290	11.43	9.37	0.82	4556	10.57	8.67	0.82	4729
32	20	15.67	12.85	0.82	3534	15.00	12.30	0.82	3716	14.42	11.82	0.82	3887	13.87	11.37	0.82	4066	13.08	10.73	0.82	4330	12.01	9.85	0.82	4598	11.11	9.11	0.82	4773
32	22	16.61	11.96	0.72	3566	15.90	11.45	0.72	3749	15.29	11.01	0.72	3922	14.70	10.58	0.72	4102	13.87	9.98	0.72	4369	12.73	9.16	0.72	4640	11.77	8.48	0.72	4816
32	24	17.61	10.57	0.60	3598	16.85	10.11	0.60	3784	16.20	9.72	0.60	3958	15.58	9.35	0.60	4140	14.70	8.82	0.60	4409	13.49	8.10	0.60	4682	12.48	7.49	0.60	4860
32	26	18.49	8.88	0.48	3631	17.69	8.49	0.48	3818	17.01	8.17	0.48	3994	16.36	7.85	0.48	4178	15.43	7.41	0.48	4449	14.17	6.80	0.48	4725	13.10	6.29	0.48	4904

Remarks:
 Q: Total Cooling Capacity (Gross) **kW**
 SHC: Sensible Heat Capacity (Gross)
 SHF: Sensible Capacity ratio
 INPUT: Power Input (including the compressor, evap. fan motor & cond. fan motor) **W**
 DB: Dry Bulb Temperature
 WB: Wet Bulb Temperature

5. CAPACITIES AND SELECTION DATA

INDOOR DB(°C) WB(°C)		PERFORMANCE DATA (Cooling Operation at Rated Frequency)																											
		RCI-6.0UFE1NH+RAS-6.0UFESNH1																											
		CAPACITY: 14.00 kW SHF: 0.71 INPUT: 5000 W																											
		OUTDOOR DB (°C)																											
		21				25				27				30				35				40				46			
		Q	SHC	SHF	INPUT	Q	SHC	SHF	INPUT	Q	SHC	SHF	INPUT	Q	SHC	SHF	INPUT	Q	SHC	SHF	INPUT	Q	SHC	SHF	INPUT	Q	SHC	SHF	INPUT
21	18	16.44	8.71	0.53	4064	15.73	8.34	0.53	4274	15.12	8.02	0.53	4470	14.54	7.71	0.53	4676	13.72	7.27	0.53	4980	12.59	6.68	0.53	5289	11.65	6.17	0.53	5490
21	20	17.28	7.08	0.41	4097	16.53	6.78	0.41	4308	15.90	6.52	0.41	4506	15.29	6.27	0.41	4714	14.42	5.91	0.41	5020	13.24	5.43	0.41	5331	12.24	5.02	0.41	5534
22	18	16.44	9.37	0.57	4064	15.73	8.97	0.57	4274	15.12	8.62	0.57	4470	14.54	8.29	0.57	4676	13.72	7.82	0.57	4980	12.59	7.18	0.57	5289	11.65	6.64	0.57	5490
22	20	17.28	7.77	0.45	4097	16.53	7.44	0.45	4308	15.90	7.15	0.45	4506	15.29	6.88	0.45	4714	14.42	6.49	0.45	5020	13.24	5.96	0.45	5331	12.24	5.51	0.45	5534
22	22	18.31	6.04	0.33	4129	17.52	5.78	0.33	4342	16.85	5.56	0.33	4541	16.20	5.35	0.33	4750	15.29	5.04	0.33	5059	14.03	4.63	0.33	5373	12.98	4.28	0.33	5577
23	18	16.44	10.03	0.61	4064	15.73	9.60	0.61	4274	15.12	9.23	0.61	4470	14.54	8.87	0.61	4676	13.72	8.37	0.61	4980	12.59	7.68	0.61	5289	11.65	7.11	0.61	5490
23	20	17.28	8.47	0.49	4097	16.53	8.10	0.49	4308	15.90	7.79	0.49	4506	15.29	7.49	0.49	4714	14.42	7.07	0.49	5020	13.24	6.49	0.49	5331	12.24	6.00	0.49	5534
23	22	18.31	6.78	0.37	4129	17.52	6.48	0.37	4342	16.85	6.23	0.37	4541	16.20	5.99	0.37	4750	15.29	5.66	0.37	5059	14.03	5.19	0.37	5373	12.98	4.80	0.37	5577
24	18	16.44	10.68	0.65	4064	15.73	10.22	0.65	4274	15.12	9.83	0.65	4470	14.54	9.45	0.65	4676	13.72	8.92	0.65	4980	12.59	8.19	0.65	5289	11.65	7.57	0.65	5490
24	20	17.28	9.16	0.53	4097	16.53	8.76	0.53	4308	15.90	8.43	0.53	4506	15.29	8.10	0.53	4714	14.42	7.64	0.53	5020	13.24	7.02	0.53	5331	12.24	6.49	0.53	5534
24	22	18.31	7.51	0.41	4129	17.52	7.19	0.41	4342	16.85	6.91	0.41	4541	16.20	6.64	0.41	4750	15.29	6.27	0.41	5059	14.03	5.75	0.41	5373	12.98	5.32	0.41	5577
24	24	19.41	5.63	0.29	4161	18.58	5.39	0.29	4376	17.86	5.18	0.29	4577	17.17	4.98	0.29	4788	16.20	4.70	0.29	5099	14.87	4.31	0.29	5415	13.76	3.99	0.29	5621
25	18	16.44	11.34	0.69	4064	15.73	10.85	0.69	4274	15.12	10.44	0.69	4470	14.54	10.03	0.69	4676	13.72	9.47	0.69	4980	12.59	8.69	0.69	5289	11.65	8.04	0.69	5490
25	20	17.28	9.85	0.57	4097	16.53	9.42	0.57	4308	15.90	9.06	0.57	4506	15.29	8.71	0.57	4714	14.42	8.22	0.57	5020	13.24	7.55	0.57	5331	12.24	6.98	0.57	5534
25	22	18.31	8.24	0.45	4129	17.52	7.89	0.45	4342	16.85	7.58	0.45	4541	16.20	7.29	0.45	4750	15.29	6.88	0.45	5059	14.03	6.31	0.45	5373	12.98	5.84	0.45	5577
25	24	19.41	6.41	0.33	4161	18.58	6.13	0.33	4376	17.86	5.89	0.33	4577	17.17	5.67	0.33	4788	16.20	5.35	0.33	5099	14.87	4.91	0.33	5415	13.76	4.54	0.33	5621
26	18	16.44	12.00	0.73	4064	15.73	11.48	0.73	4274	15.12	11.04	0.73	4470	14.54	10.62	0.73	4676	13.72	10.02	0.73	4980	12.59	9.19	0.73	5289	11.65	8.50	0.73	5490
26	20	17.28	10.54	0.61	4097	16.53	10.08	0.61	4308	15.90	9.70	0.61	4506	15.29	9.32	0.61	4714	14.42	8.80	0.61	5020	13.24	8.07	0.61	5331	12.24	7.47	0.61	5534
26	22	18.31	8.97	0.49	4129	17.52	8.59	0.49	4342	16.85	8.26	0.49	4541	16.20	7.94	0.49	4750	15.29	7.49	0.49	5059	14.03	6.88	0.49	5373	12.98	6.36	0.49	5577
26	24	19.41	7.18	0.37	4161	18.58	6.87	0.37	4376	17.86	6.61	0.37	4577	17.17	6.35	0.37	4788	16.20	5.99	0.37	5099	14.87	5.50	0.37	5415	13.76	5.09	0.37	5621
26	26	20.38	5.10	0.25	4194	19.50	4.88	0.25	4410	18.75	4.69	0.25	4613	18.03	4.51	0.25	4826	17.01	4.25	0.25	5139	15.62	3.90	0.25	5458	14.45	3.61	0.25	5665
27	18	16.44	12.66	0.77	4064	15.73	12.11	0.77	4274	15.12	11.65	0.77	4470	14.54	11.20	0.77	4676	13.72	10.56	0.77	4980	12.59	9.70	0.77	5289	11.65	8.97	0.77	5490
27	19	16.77	11.91	0.71	4081	16.05	11.40	0.71	4291	15.43	10.96	0.71	4488	14.84	10.54	0.71	4695	14.00	9.94	0.71	5000	12.85	9.12	0.71	5310	11.89	8.44	0.71	5512
27	20	17.28	11.23	0.65	4097	16.53	10.75	0.65	4308	15.90	10.33	0.65	4506	15.29	9.94	0.65	4714	14.42	9.37	0.65	5020	13.24	8.60	0.65	5331	12.24	7.96	0.65	5534
27	22	18.31	9.71	0.53	4129	17.52	9.29	0.53	4342	16.85	8.93	0.53	4541	16.20	8.59	0.53	4750	15.29	8.10	0.53	5059	14.03	7.44	0.53	5373	12.98	6.88	0.53	5577
27	24	19.41	7.96	0.41	4161	18.58	7.62	0.41	4376	17.86	7.32	0.41	4577	17.17	7.04	0.41	4788	16.20	6.64	0.41	5099	14.87	6.10	0.41	5415	13.76	5.64	0.41	5621
27	26	20.38	5.91	0.29	4194	19.50	5.66	0.29	4410	18.75	5.44	0.29	4613	18.03	5.23	0.29	4826	17.01	4.93	0.29	5139	15.62	4.53	0.29	5458	14.45	4.19	0.29	5665
28	18	16.44	13.31	0.81	4064	15.73	12.74	0.81	4274	15.12	12.25	0.81	4470	14.54	11.78	0.81	4676	13.72	11.11	0.81	4980	12.59	10.20	0.81	5289	11.65	9.44	0.81	5490
28	20	17.28	11.92	0.69	4097	16.53	11.41	0.69	4308	15.90	10.97	0.69	4506	15.29	10.55	0.69	4714	14.42	9.95	0.69	5020	13.24	9.13	0.69	5331	12.24	8.45	0.69	5534
28	22	18.31	10.44	0.57	4129	17.52	9.99	0.57	4342	16.85	9.60	0.57	4541	16.20	9.24	0.57	4750	15.29	8.71	0.57	5059	14.03	8.00	0.57	5373	12.98	7.40	0.57	5577
28	24	19.41	8.74	0.45	4161	18.58	8.36	0.45	4376	17.86	8.04	0.45	4577	17.17	7.73	0.45	4788	16.20	7.29	0.45	5099	14.87	6.69	0.45	5415	13.76	6.19	0.45	5621
28	26	20.38	6.73	0.33	4194	19.50	6.44	0.33	4410	18.75	6.19	0.33	4613	18.03	5.95	0.33	4826	17.01	5.61	0.33	5139	15.62	5.15	0.33	5458	14.45	4.77	0.33	5665
29	18	16.44	13.64	0.83	4064	15.73	13.06	0.83	4274	15.12	12.55	0.83	4470	14.54	12.07	0.83	4676	13.72	11.39	0.83	4980	12.59	10.45	0.83	5289	11.65	9.67	0.83	5490

5. CAPACITIES AND SELECTION DATA

INDOOR DB(°C)		INDOOR WB(°C)		PERFORMANCE DATA (Cooling Operation at Rated Frequency)																									
				RCI-6.0UFE1NH+RAS-6.0UFESNH1																									
				CAPACITY: 14.00 kW SHF: 0.71 INPUT: 5000 W																									
		OUTDOOR DB (°C)																											
		21				25				27				30				35				40				46			
		Q	SHC	SHF	INPUT	Q	SHC	SHF	INPUT	Q	SHC	SHF	INPUT	Q	SHC	SHF	INPUT	Q	SHC	SHF	INPUT	Q	SHC	SHF	INPUT	Q	SHC	SHF	INPUT
29	20	17.28	12.61	0.73	4097	16.53	12.07	0.73	4308	15.90	11.60	0.73	4506	15.29	11.16	0.73	4714	14.42	10.53	0.73	5020	13.24	9.66	0.73	5331	12.24	8.94	0.73	5534
29	22	18.31	11.17	0.61	4129	17.52	10.69	0.61	4342	16.85	10.28	0.61	4541	16.20	9.88	0.61	4750	15.29	9.32	0.61	5059	14.03	8.56	0.61	5373	12.98	7.92	0.61	5577
29	24	19.41	9.51	0.49	4161	18.58	9.10	0.49	4376	17.86	8.75	0.49	4577	17.17	8.42	0.49	4788	16.20	7.94	0.49	5099	14.87	7.29	0.49	5415	13.76	6.74	0.49	5621
29	26	20.38	7.54	0.37	4194	19.50	7.22	0.37	4410	18.75	6.94	0.37	4613	18.03	6.67	0.37	4826	17.01	6.29	0.37	5139	15.62	5.78	0.37	5458	14.45	5.35	0.37	5665
30	18	16.44	13.64	0.83	4064	15.73	13.06	0.83	4274	15.12	12.55	0.83	4470	14.54	12.07	0.83	4676	13.72	11.39	0.83	4980	12.59	10.45	0.83	5289	11.65	9.67	0.83	5490
30	20	17.28	13.30	0.77	4097	16.53	12.73	0.77	4308	15.90	12.24	0.77	4506	15.29	11.77	0.77	4714	14.42	11.10	0.77	5020	13.24	10.19	0.77	5331	12.24	9.43	0.77	5534
30	22	18.31	11.90	0.65	4129	17.52	11.39	0.65	4342	16.85	10.95	0.65	4541	16.20	10.53	0.65	4750	15.29	9.94	0.65	5059	14.03	9.12	0.65	5373	12.98	8.44	0.65	5577
30	24	19.41	10.29	0.53	4161	18.58	9.85	0.53	4376	17.86	9.47	0.53	4577	17.17	9.10	0.53	4788	16.20	8.59	0.53	5099	14.87	7.88	0.53	5415	13.76	7.29	0.53	5621
30	26	20.38	8.36	0.41	4194	19.50	8.00	0.41	4410	18.75	7.69	0.41	4613	18.03	7.39	0.41	4826	17.01	6.98	0.41	5139	15.62	6.40	0.41	5458	14.45	5.92	0.41	5665
31	18	16.44	13.64	0.83	4064	15.73	13.06	0.83	4274	15.12	12.55	0.83	4470	14.54	12.07	0.83	4676	13.72	11.39	0.83	4980	12.59	10.45	0.83	5289	11.65	9.67	0.83	5490
31	20	17.28	13.99	0.81	4097	16.53	13.39	0.81	4308	15.90	12.88	0.81	4506	15.29	12.38	0.81	4714	14.42	11.68	0.81	5020	13.24	10.72	0.81	5331	12.24	9.92	0.81	5534
31	22	18.31	12.64	0.69	4129	17.52	12.09	0.69	4342	16.85	11.63	0.69	4541	16.20	11.18	0.69	4750	15.29	10.55	0.69	5059	14.03	9.68	0.69	5373	12.98	8.96	0.69	5577
31	24	19.41	11.06	0.57	4161	18.58	10.59	0.57	4376	17.86	10.18	0.57	4577	17.17	9.79	0.57	4788	16.20	9.24	0.57	5099	14.87	8.48	0.57	5415	13.76	7.84	0.57	5621
31	26	20.38	9.17	0.45	4194	19.50	8.78	0.45	4410	18.75	8.44	0.45	4613	18.03	8.11	0.45	4826	17.01	7.66	0.45	5139	15.62	7.03	0.45	5458	14.45	6.50	0.45	5665
32	18	16.44	13.64	0.83	4064	15.73	13.06	0.83	4274	15.12	12.55	0.83	4470	14.54	12.07	0.83	4676	13.72	11.39	0.83	4980	12.59	10.45	0.83	5289	11.65	9.67	0.83	5490
32	20	17.28	14.34	0.83	4097	16.53	13.72	0.83	4308	15.90	13.19	0.83	4506	15.29	12.69	0.83	4714	14.42	11.97	0.83	5020	13.24	10.99	0.83	5331	12.24	10.16	0.83	5534
32	22	18.31	13.37	0.73	4129	17.52	12.79	0.73	4342	16.85	12.30	0.73	4541	16.20	11.83	0.73	4750	15.29	11.16	0.73	5059	14.03	10.24	0.73	5373	12.98	9.47	0.73	5577
32	24	19.41	11.84	0.61	4161	18.58	11.33	0.61	4376	17.86	10.90	0.61	4577	17.17	10.48	0.61	4788	16.20	9.88	0.61	5099	14.87	9.07	0.61	5415	13.76	8.39	0.61	5621
32	26	20.38	9.99	0.49	4194	19.50	9.56	0.49	4410	18.75	9.19	0.49	4613	18.03	8.84	0.49	4826	17.01	8.34	0.49	5139	15.62	7.65	0.49	5458	14.45	7.08	0.49	5665

Remarks:
 Q: Total Cooling Capacity (Gross) **kW**
 SHC: Sensible Heat Capacity (Gross)
 SHF: Sensible Capacity ratio
 INPUT: Power Input (including the compressor, evap. fan motor & cond. fan motor) **W**
 DB: Dry Bulb Temperature
 WB: Wet Bulb Temperature

5. CAPACITIES AND SELECTION DATA

PERFORMANCE DATA (Heating Operation at Rated Frequency)														
RCI-3.0UFE1NH+RAS-3.0UFESNH1														
CAPACITY: 8.25 kW INPUT: 2030 W														
INDOOR DB(°C)	OUTDOOR WB (°C)													
	-10		-5		0		5		10		15		20	
	Q	INPUT	Q	INPUT	Q	INPUT	Q	INPUT	Q	INPUT	Q	INPUT	Q	INPUT
15	5.21	1320	6.26	1582	7.35	1785	8.40	1929	9.49	2051	10.47	2111	11.55	2152
21	4.95	1421	5.93	1684	7.01	1869	7.99	2009	9.08	2111	10.05	2173	11.09	2254
26	4.46	1523	5.52	1785	6.52	1970	7.58	2111	8.66	2212	9.64	2275	10.73	2335

PERFORMANCE DATA (Heating Operation at Rated Frequency)														
RCI-3.5UFE1NH+RAS-3.5UFESNH1														
CAPACITY: 9.00 kW INPUT: 2250 W														
INDOOR DB(°C)	OUTDOOR WB (°C)													
	-10		-5		0		5		10		15		20	
	Q	INPUT	Q	INPUT	Q	INPUT	Q	INPUT	Q	INPUT	Q	INPUT	Q	INPUT
15	5.68	1560	6.83	1871	8.02	2111	9.17	2280	10.35	2425	11.42	2495	12.60	2545
21	5.40	1680	6.47	1991	7.65	2209	8.72	2375	9.90	2495	10.97	2569	12.09	2665
26	4.87	1800	6.02	2111	7.12	2329	8.27	2495	9.45	2615	10.52	2689	11.70	2760

PERFORMANCE DATA (Heating Operation at Rated Frequency)														
RCI-4.0UFE1NH+RAS-4.0UFESNH1														
CAPACITY: 11.20 kW INPUT: 3500 W														
INDOOR DB(°C)	OUTDOOR WB (°C)													
	-10		-5		0		5		10		15		20	
	Q	INPUT	Q	INPUT	Q	INPUT	Q	INPUT	Q	INPUT	Q	INPUT	Q	INPUT
15	7.07	2275	8.51	2728	9.98	3078	11.41	3325	12.88	3536	14.21	3639	15.68	3711
21	6.72	2450	8.05	2903	9.52	3222	10.85	3464	12.32	3639	13.65	3747	15.05	3886
26	6.06	2625	7.49	3078	8.86	3397	10.29	3639	11.76	3814	13.09	3922	14.56	4025

Remarks:
 Q: Total Heating Capacity (Gross) kW
 INPUT: Power Input (including the compressor, evap. fan motor & cond. fan motor) W
 DB: Dry Bulb Temperature
 WB: Wet Bulb Temperature

5. CAPACITIES AND SELECTION DATA

PERFORMANCE DATA (Heating Operation at Rated Frequency)														
RCI-5.0UFE1NH+RAS-5.0UFESMH1														
CAPACITY: 13.50 kW INPUT: 3700 W														
INDOOR DB(°C)	OUTDOOR WB (°C)													
	-10		-5		0		5		10		15		20	
	Q	INPUT	Q	INPUT	Q	INPUT	Q	INPUT	Q	INPUT	Q	INPUT	Q	INPUT
15	8.52	2405	10.25	2884	12.02	3254	13.75	3515	15.53	3738	17.13	3847	18.90	3923
21	8.10	2590	9.70	3069	11.48	3406	13.08	3662	14.85	3847	16.45	3961	18.14	4108
26	7.30	2775	9.03	3254	10.67	3591	12.40	3847	14.18	4032	15.78	4146	17.55	4255

PERFORMANCE DATA (Heating Operation at Rated Frequency)														
RCI-6.0UFE1NH+RAS-RAS-6.0UFESMH1														
CAPACITY: 16.53kW INPUT: 4710W														
INDOOR DB(°C)	OUTDOOR WB (°C)													
	-10		-5		0		5		10		15		20	
	Q	INPUT	Q	INPUT	Q	INPUT	Q	INPUT	Q	INPUT	Q	INPUT	Q	INPUT
15	10.43	3062	12.55	3671	14.72	4142	16.84	4475	19.01	4758	20.97	4897	23.14	4994
21	9.92	3297	11.88	3907	14.05	4336	16.01	4662	18.18	4897	20.15	5042	22.21	5229
26	8.94	3533	11.05	4142	13.07	4571	15.19	4897	17.36	5133	19.32	5278	21.49	5417

PERFORMANCE DATA (Heating Operation at Rated Frequency)														
RCI-6.5UFE1NH+RAS-6.5UFESMH1														
CAPACITY: 19.49 kW INPUT: 6740 W														
INDOOR DB(°C)	OUTDOOR WB (°C)													
	-10		-5		0		5		10		15		20	
	Q	INPUT	Q	INPUT	Q	INPUT	Q	INPUT	Q	INPUT	Q	INPUT	Q	INPUT
15	12.30	4381	14.80	5254	17.36	5928	19.86	6403	22.41	6809	24.73	7008	27.29	7146
21	11.69	4718	14.01	5591	16.57	6204	18.88	6671	21.44	7008	23.75	7215	26.19	7483
26	10.54	5055	13.03	5928	15.41	6541	17.91	7008	20.46	7345	22.78	7552	25.34	7751

Remarks:
 Q: Total Heating Capacity (Gross) kW
 INPUT: Power Input (including the compressor, evap. fan motor & cond. fan motor) W
 DB: Dry Bulb Temperature
 WB: Wet Bulb Temperature

5. CAPACITIES AND SELECTION DATA

PERFORMANCE DATA (Heating Operation at Rated Frequency)														
RCI-5.0UFE1NH+RAS-5.0UFESNH1														
CAPACITY: 13.30 kW INPUT: 3860 W														
INDOOR DB(°C)	OUTDOOR WB (°C)													
	-10		-5		0		5		10		15		20	
	Q	INPUT	Q	INPUT	Q	INPUT	Q	INPUT	Q	INPUT	Q	INPUT	Q	INPUT
15	8.40	2509	10.10	3009	11.85	3395	13.55	3667	15.30	3900	16.87	4013	18.62	4093
21	7.98	2702	9.56	3202	11.31	3553	12.88	3820	14.63	4013	16.21	4132	17.87	4286
26	7.19	2895	8.89	3395	10.52	3746	12.22	4013	13.97	4206	15.54	4325	17.29	4439

PERFORMANCE DATA (Heating Operation at Rated Frequency)														
RCI-6.0UFE1NH+RAS-6.0UFESNH1														
CAPACITY: 15.80 kW INPUT: 4950 W														
INDOOR DB(°C)	OUTDOOR WB (°C)													
	-10		-5		0		5		10		15		20	
	Q	INPUT	Q	INPUT	Q	INPUT	Q	INPUT	Q	INPUT	Q	INPUT	Q	INPUT
15	9.97	3218	12.00	3858	14.07	4353	16.10	4703	18.17	5001	20.05	5147	22.12	5248
21	9.48	3465	11.36	4106	13.43	4557	15.31	4899	17.38	5147	19.26	5299	21.23	5496
26	8.54	3713	10.57	4353	12.49	4804	14.52	5147	16.59	5394	18.47	5547	20.54	5693

Remarks:
 Q: Total Heating Capacity (Gross) **kW**
 INPUT: Power Input (including the
 compressor, evap. fan motor &
 cond. fan motor) **W**
 DB: Dry Bulb Temperature
 WB: Wet Bulb Temperature

5. CAPACITIES AND SELECTION DATA

Floor ceiling

INDOOR DB (°C)		INDOOR WB(°C)		PERFORMANCE DATA (Cooling Operation at Rated Frequency)																									
				RPFC-3.0UFE1NH+RAS-3.0UFESNH1																									
				CAPACITY: 6.50 kW SHF: 0.70 INPUT: 1940 W																									
		OUTDOOR DB (°C)																											
		21				25				27				30				35				40				46			
		Q	SHC	SHF	INPUT	Q	SHC	SHF	INPUT	Q	SHC	SHF	INPUT	Q	SHC	SHF	INPUT	Q	SHC	SHF	INPUT	Q	SHC	SHF	INPUT	Q	SHC	SHF	INPUT
21	18	7.63	4.35	0.57	1567	7.30	4.16	0.57	1648	7.02	4.00	0.57	1724	6.75	3.85	0.57	1803	6.37	3.63	0.57	1920	5.85	3.33	0.57	2039	5.41	3.08	0.57	2117
21	20	8.02	3.61	0.45	1600	7.68	3.45	0.45	1682	7.38	3.32	0.45	1759	7.10	3.19	0.45	1840	6.70	3.01	0.45	1960	6.15	2.77	0.45	2082	5.69	2.56	0.45	2161
22	18	7.63	4.66	0.61	1567	7.30	4.45	0.61	1648	7.02	4.28	0.61	1724	6.75	4.12	0.61	1803	6.37	3.89	0.61	1920	5.85	3.57	0.61	2039	5.41	3.30	0.61	2117
22	20	8.02	3.93	0.49	1600	7.68	3.76	0.49	1682	7.38	3.62	0.49	1759	7.10	3.48	0.49	1840	6.70	3.28	0.49	1960	6.15	3.01	0.49	2082	5.69	2.79	0.49	2161
22	22	8.50	3.15	0.37	1631	8.14	3.01	0.37	1716	7.82	2.89	0.37	1794	7.52	2.78	0.37	1877	7.10	2.63	0.37	1999	6.51	2.41	0.37	2123	6.03	2.23	0.37	2204
23	18	7.63	4.96	0.65	1567	7.30	4.75	0.65	1648	7.02	4.56	0.65	1724	6.75	4.39	0.65	1803	6.37	4.14	0.65	1920	5.85	3.80	0.65	2039	5.41	3.52	0.65	2117
23	20	8.02	4.25	0.53	1600	7.68	4.07	0.53	1682	7.38	3.91	0.53	1759	7.10	3.76	0.53	1840	6.70	3.55	0.53	1960	6.15	3.26	0.53	2082	5.69	3.01	0.53	2161
23	22	8.50	3.49	0.41	1631	8.14	3.34	0.41	1716	7.82	3.21	0.41	1794	7.52	3.08	0.41	1877	7.10	2.91	0.41	1999	6.51	2.67	0.41	2123	6.03	2.47	0.41	2204
24	18	7.63	5.27	0.69	1567	7.30	5.04	0.69	1648	7.02	4.85	0.69	1724	6.75	4.66	0.69	1803	6.37	4.40	0.69	1920	5.85	4.03	0.69	2039	5.41	3.73	0.69	2117
24	20	8.02	4.57	0.57	1600	7.68	4.38	0.57	1682	7.38	4.21	0.57	1759	7.10	4.05	0.57	1840	6.70	3.82	0.57	1960	6.15	3.50	0.57	2082	5.69	3.24	0.57	2161
24	22	8.50	3.83	0.45	1631	8.14	3.66	0.45	1716	7.82	3.52	0.45	1794	7.52	3.39	0.45	1877	7.10	3.19	0.45	1999	6.51	2.93	0.45	2123	6.03	2.71	0.45	2204
24	24	9.01	2.97	0.33	1664	8.62	2.85	0.33	1750	8.29	2.74	0.33	1830	7.97	2.63	0.33	1915	7.52	2.48	0.33	2039	6.91	2.28	0.33	2165	6.39	2.11	0.33	2248
25	18	7.63	5.57	0.73	1567	7.30	5.33	0.73	1648	7.02	5.13	0.73	1724	6.75	4.93	0.73	1803	6.37	4.65	0.73	1920	5.85	4.27	0.73	2039	5.41	3.95	0.73	2117
25	20	8.02	4.89	0.61	1600	7.68	4.68	0.61	1682	7.38	4.50	0.61	1759	7.10	4.33	0.61	1840	6.70	4.08	0.61	1960	6.15	3.75	0.61	2082	5.69	3.47	0.61	2161
25	22	8.50	4.17	0.49	1631	8.14	3.99	0.49	1716	7.82	3.83	0.49	1794	7.52	3.69	0.49	1877	7.10	3.48	0.49	1999	6.51	3.19	0.49	2123	6.03	2.95	0.49	2204
25	24	9.01	3.33	0.37	1664	8.62	3.19	0.37	1750	8.29	3.07	0.37	1830	7.97	2.95	0.37	1915	7.52	2.78	0.37	2039	6.91	2.56	0.37	2165	6.39	2.36	0.37	2248
26	18	7.63	5.88	0.77	1567	7.30	5.62	0.77	1648	7.02	5.41	0.77	1724	6.75	5.20	0.77	1803	6.37	4.90	0.77	1920	5.85	4.50	0.77	2039	5.41	4.16	0.77	2117
26	20	8.02	5.21	0.65	1600	7.68	4.99	0.65	1682	7.38	4.80	0.65	1759	7.10	4.61	0.65	1840	6.70	4.35	0.65	1960	6.15	3.99	0.65	2082	5.69	3.70	0.65	2161
26	22	8.50	4.51	0.53	1631	8.14	4.31	0.53	1716	7.82	4.15	0.53	1794	7.52	3.99	0.53	1877	7.10	3.76	0.53	1999	6.51	3.45	0.53	2123	6.03	3.19	0.53	2204
26	24	9.01	3.70	0.41	1664	8.62	3.54	0.41	1750	8.29	3.40	0.41	1830	7.97	3.27	0.41	1915	7.52	3.08	0.41	2039	6.91	2.83	0.41	2165	6.39	2.62	0.41	2248
26	26	9.46	2.74	0.29	1697	9.06	2.63	0.29	1784	8.71	2.53	0.29	1866	8.37	2.43	0.29	1952	7.90	2.29	0.29	2079	7.25	2.10	0.29	2208	6.71	1.95	0.29	2292
27	18	7.63	6.18	0.81	1567	7.30	5.92	0.81	1648	7.02	5.69	0.81	1724	6.75	5.47	0.81	1803	6.37	5.16	0.81	1920	5.85	4.74	0.81	2039	5.41	4.38	0.81	2117
27	19	7.79	5.84	0.75	1583	7.45	5.59	0.75	1665	7.17	5.37	0.75	1742	6.89	5.17	0.75	1822	6.50	4.88	0.75	1940	5.97	4.48	0.75	2060	5.52	4.14	0.75	2139
27	20	8.02	5.53	0.69	1600	7.68	5.30	0.69	1682	7.38	5.09	0.69	1759	7.10	4.90	0.69	1840	6.70	4.62	0.69	1960	6.15	4.24	0.69	2082	5.69	3.92	0.69	2161
27	22	8.50	4.85	0.57	1631	8.14	4.64	0.57	1716	7.82	4.46	0.57	1794	7.52	4.29	0.57	1877	7.10	4.05	0.57	1999	6.51	3.71	0.57	2123	6.03	3.43	0.57	2204
27	24	9.01	4.06	0.45	1664	8.62	3.88	0.45	1750	8.29	3.73	0.45	1830	7.97	3.59	0.45	1915	7.52	3.39	0.45	2039	6.91	3.11	0.45	2165	6.39	2.87	0.45	2248
27	26	9.46	3.12	0.33	1697	9.06	2.99	0.33	1784	8.71	2.87	0.33	1866	8.37	2.76	0.33	1952	7.90	2.61	0.33	2079	7.25	2.39	0.33	2208	6.71	2.21	0.33	2292
28	18	7.63	6.49	0.85	1567	7.30	6.21	0.85	1648	7.02	5.97	0.85	1724	6.75	5.74	0.85	1803	6.37	5.41	0.85	1920	5.85	4.97	0.85	2039	5.41	4.60	0.85	2117
28	20	8.02	5.86	0.73	1600	7.68	5.60	0.73	1682	7.38	5.39	0.73	1759	7.10	5.18	0.73	1840	6.70	4.89	0.73	1960	6.15	4.49	0.73	2082	5.69	4.15	0.73	2161
28	22	8.50	5.19	0.61	1631	8.14	4.96	0.61	1716	7.82	4.77	0.61	1794	7.52	4.59	0.61	1877	7.10	4.33	0.61	1999	6.51	3.97	0.61	2123	6.03	3.68	0.61	2204
28	24	9.01	4.42	0.49	1664	8.62	4.23	0.49	1750	8.29	4.06	0.49	1830	7.97	3.91	0.49	1915	7.52	3.69	0.49	2039	6.91	3.38	0.49	2165	6.39	3.13	0.49	2248

5. CAPACITIES AND SELECTION DATA

INDOOR INDOOR DB (°C) WB(°C)		PERFORMANCE DATA (Cooling Operation at Rated Frequency)																											
		RPFC-3.0UFE1NH+RAS-3.0UFESNH1																											
		CAPACITY: 6.50 kW SHF: 0.70 INPUT: 1940 W																											
		OUTDOOR DB (°C)																											
		21				25				27				30				35				40				46			
		Q	SHC	SHF	INPUT	Q	SHC	SHF	INPUT	Q	SHC	SHF	INPUT	Q	SHC	SHF	INPUT	Q	SHC	SHF	INPUT	Q	SHC	SHF	INPUT	Q	SHC	SHF	INPUT
28	26	9.46	3.50	0.37	1697	9.06	3.35	0.37	1784	8.71	3.22	0.37	1866	8.37	3.10	0.37	1952	7.90	2.92	0.37	2079	7.25	2.68	0.37	2208	6.71	2.48	0.37	2292
29	18	7.63	6.64	0.87	1567	7.30	6.35	0.87	1648	7.02	6.11	0.87	1724	6.75	5.87	0.87	1803	6.37	5.54	0.87	1920	5.85	5.09	0.87	2039	5.41	4.71	0.87	2117
29	20	8.02	6.18	0.77	1600	7.68	5.91	0.77	1682	7.38	5.68	0.77	1759	7.10	5.46	0.77	1840	6.70	5.16	0.77	1960	6.15	4.73	0.77	2082	5.69	4.38	0.77	2161
29	22	8.50	5.53	0.65	1631	8.14	5.29	0.65	1716	7.82	5.09	0.65	1794	7.52	4.89	0.65	1877	7.10	4.61	0.65	1999	6.51	4.23	0.65	2123	6.03	3.92	0.65	2204
29	24	9.01	4.78	0.53	1664	8.62	4.57	0.53	1750	8.29	4.40	0.53	1830	7.97	4.23	0.53	1915	7.52	3.99	0.53	2039	6.91	3.66	0.53	2165	6.39	3.39	0.53	2248
29	26	9.46	3.88	0.41	1697	9.06	3.71	0.41	1784	8.71	3.57	0.41	1866	8.37	3.43	0.41	1952	7.90	3.24	0.41	2079	7.25	2.97	0.41	2208	6.71	2.75	0.41	2292
30	18	7.63	6.64	0.87	1567	7.30	6.35	0.87	1648	7.02	6.11	0.87	1724	6.75	5.87	0.87	1803	6.37	5.54	0.87	1920	5.85	5.09	0.87	2039	5.41	4.71	0.87	2117
30	20	8.02	6.50	0.81	1600	7.68	6.22	0.81	1682	7.38	5.98	0.81	1759	7.10	5.75	0.81	1840	6.70	5.42	0.81	1960	6.15	4.98	0.81	2082	5.69	4.60	0.81	2161
30	22	8.50	5.87	0.69	1631	8.14	5.61	0.69	1716	7.82	5.40	0.69	1794	7.52	5.19	0.69	1877	7.10	4.90	0.69	1999	6.51	4.50	0.69	2123	6.03	4.16	0.69	2204
30	24	9.01	5.14	0.57	1664	8.62	4.92	0.57	1750	8.29	4.73	0.57	1830	7.97	4.55	0.57	1915	7.52	4.29	0.57	2039	6.91	3.94	0.57	2165	6.39	3.64	0.57	2248
30	26	9.46	4.26	0.45	1697	9.06	4.08	0.45	1784	8.71	3.92	0.45	1866	8.37	3.77	0.45	1952	7.90	3.55	0.45	2079	7.25	3.26	0.45	2208	6.71	3.02	0.45	2292
31	18	7.63	6.64	0.87	1567	7.30	6.35	0.87	1648	7.02	6.11	0.87	1724	6.75	5.87	0.87	1803	6.37	5.54	0.87	1920	5.85	5.09	0.87	2039	5.41	4.71	0.87	2117
31	20	8.02	6.82	0.85	1600	7.68	6.52	0.85	1682	7.38	6.27	0.85	1759	7.10	6.03	0.85	1840	6.70	5.69	0.85	1960	6.15	5.22	0.85	2082	5.69	4.83	0.85	2161
31	22	8.50	6.21	0.73	1631	8.14	5.94	0.73	1716	7.82	5.71	0.73	1794	7.52	5.49	0.73	1877	7.10	5.18	0.73	1999	6.51	4.76	0.73	2123	6.03	4.40	0.73	2204
31	24	9.01	5.50	0.61	1664	8.62	5.26	0.61	1750	8.29	5.06	0.61	1830	7.97	4.86	0.61	1915	7.52	4.59	0.61	2039	6.91	4.21	0.61	2165	6.39	3.90	0.61	2248
31	26	9.46	4.64	0.49	1697	9.06	4.44	0.49	1784	8.71	4.27	0.49	1866	8.37	4.10	0.49	1952	7.90	3.87	0.49	2079	7.25	3.55	0.49	2208	6.71	3.29	0.49	2292
32	18	7.63	6.64	0.87	1567	7.30	6.35	0.87	1648	7.02	6.11	0.87	1724	6.75	5.87	0.87	1803	6.37	5.54	0.87	1920	5.85	5.09	0.87	2039	5.41	4.71	0.87	2117
32	20	8.02	6.98	0.87	1600	7.68	6.68	0.87	1682	7.38	6.42	0.87	1759	7.10	6.17	0.87	1840	6.70	5.82	0.87	1960	6.15	5.35	0.87	2082	5.69	4.95	0.87	2161
32	22	8.50	6.55	0.77	1631	8.14	6.26	0.77	1716	7.82	6.02	0.77	1794	7.52	5.79	0.77	1877	7.10	5.46	0.77	1999	6.51	5.02	0.77	2123	6.03	4.64	0.77	2204
32	24	9.01	5.86	0.65	1664	8.62	5.61	0.65	1750	8.29	5.39	0.65	1830	7.97	5.18	0.65	1915	7.52	4.89	0.65	2039	6.91	4.49	0.65	2165	6.39	4.15	0.65	2248
32	26	9.46	5.02	0.53	1697	9.06	4.80	0.53	1784	8.71	4.61	0.53	1866	8.37	4.44	0.53	1952	7.90	4.19	0.53	2079	7.25	3.84	0.53	2208	6.71	3.55	0.53	2292

Remarks:
 Q: Total Cooling Capacity (Gross) **kW**
 SHC: Sensible Heat Capacity (Gross)
 SHF: Sensible Capacity ratio
 INPUT: Power Input (including the
 compressor, evap. fan motor &
 cond. fan motor) **W**
 DB: Dry Bulb Temperature
 WB: Wet Bulb Temperature

5. CAPACITIES AND SELECTION DATA

PERFORMANCE DATA (Cooling Operation at Rated Frequency)																													
RPFC-3.5UFE1NH+RAS-3.5UFESNH1																													
CAPACITY: 8.60 KW SHF: 0.70 INPUT: 2950 W																													
INDOOR INDOOR DB (°C) WB(°C)		OUTDOOR DB (°C)																											
		21				25				27				30				35				40				46			
		Q	SHC	SHF	INPUT	Q	SHC	SHF	INPUT	Q	SHC	SHF	INPUT	Q	SHC	SHF	INPUT	Q	SHC	SHF	INPUT	Q	SHC	SHF	INPUT	Q	SHC	SHF	INPUT
21	18	10.10	5.25	0.52	2391	9.66	5.02	0.52	2514	9.29	4.83	0.52	2630	8.93	4.65	0.52	2751	8.43	4.38	0.52	2930	7.74	4.02	0.52	3112	7.16	3.72	0.52	3230
21	20	10.61	4.25	0.40	2424	10.16	4.06	0.40	2549	9.77	3.91	0.40	2666	9.39	3.76	0.40	2789	8.86	3.54	0.40	2970	8.13	3.25	0.40	3154	7.52	3.01	0.40	3274
22	18	10.10	5.65	0.56	2391	9.66	5.41	0.56	2514	9.29	5.20	0.56	2630	8.93	5.00	0.56	2751	8.43	4.72	0.56	2930	7.74	4.33	0.56	3112	7.16	4.01	0.56	3230
22	20	10.61	4.67	0.44	2424	10.16	4.47	0.44	2549	9.77	4.30	0.44	2666	9.39	4.13	0.44	2789	8.86	3.90	0.44	2970	8.13	3.58	0.44	3154	7.52	3.31	0.44	3274
22	22	11.25	3.60	0.32	2456	10.77	3.44	0.32	2582	10.35	3.31	0.32	2701	9.95	3.18	0.32	2825	9.39	3.00	0.32	3009	8.62	2.76	0.32	3196	7.97	2.55	0.32	3317
23	18	10.10	6.06	0.60	2391	9.66	5.80	0.60	2514	9.29	5.57	0.60	2630	8.93	5.36	0.60	2751	8.43	5.06	0.60	2930	7.74	4.64	0.60	3112	7.16	4.29	0.60	3230
23	20	10.61	5.09	0.48	2424	10.16	4.87	0.48	2549	9.77	4.69	0.48	2666	9.39	4.51	0.48	2789	8.86	4.25	0.48	2970	8.13	3.90	0.48	3154	7.52	3.61	0.48	3274
23	22	11.25	4.05	0.36	2456	10.77	3.88	0.36	2582	10.35	3.73	0.36	2701	9.95	3.58	0.36	2825	9.39	3.38	0.36	3009	8.62	3.10	0.36	3196	7.97	2.87	0.36	3317
24	18	10.10	6.46	0.64	2391	9.66	6.18	0.64	2514	9.29	5.95	0.64	2630	8.93	5.72	0.64	2751	8.43	5.39	0.64	2930	7.74	4.95	0.64	3112	7.16	4.58	0.64	3230
24	20	10.61	5.52	0.52	2424	10.16	5.28	0.52	2549	9.77	5.08	0.52	2666	9.39	4.88	0.52	2789	8.86	4.61	0.52	2970	8.13	4.23	0.52	3154	7.52	3.91	0.52	3274
24	22	11.25	4.50	0.40	2456	10.77	4.31	0.40	2582	10.35	4.14	0.40	2701	9.95	3.98	0.40	2825	9.39	3.76	0.40	3009	8.62	3.45	0.40	3196	7.97	3.19	0.40	3317
24	24	11.92	3.34	0.28	2488	11.41	3.20	0.28	2617	10.97	3.07	0.28	2737	10.55	2.95	0.28	2863	9.95	2.79	0.28	3049	9.14	2.56	0.28	3238	8.45	2.37	0.28	3361
25	18	10.10	6.87	0.68	2391	9.66	6.57	0.68	2514	9.29	6.32	0.68	2630	8.93	6.07	0.68	2751	8.43	5.73	0.68	2930	7.74	5.26	0.68	3112	7.16	4.87	0.68	3230
25	20	10.61	5.94	0.56	2424	10.16	5.69	0.56	2549	9.77	5.47	0.56	2666	9.39	5.26	0.56	2789	8.86	4.96	0.56	2970	8.13	4.55	0.56	3154	7.52	4.21	0.56	3274
25	22	11.25	4.95	0.44	2456	10.77	4.74	0.44	2582	10.35	4.55	0.44	2701	9.95	4.38	0.44	2825	9.39	4.13	0.44	3009	8.62	3.79	0.44	3196	7.97	3.51	0.44	3317
25	24	11.92	3.82	0.32	2488	11.41	3.65	0.32	2617	10.97	3.51	0.32	2737	10.55	3.38	0.32	2863	9.95	3.18	0.32	3049	9.14	2.92	0.32	3238	8.45	2.70	0.32	3361
26	18	10.10	7.27	0.72	2391	9.66	6.96	0.72	2514	9.29	6.69	0.72	2630	8.93	6.43	0.72	2751	8.43	6.07	0.72	2930	7.74	5.57	0.72	3112	7.16	5.15	0.72	3230
26	20	10.61	6.37	0.60	2424	10.16	6.09	0.60	2549	9.77	5.86	0.60	2666	9.39	5.63	0.60	2789	8.86	5.31	0.60	2970	8.13	4.88	0.60	3154	7.52	4.51	0.60	3274
26	22	11.25	5.40	0.48	2456	10.77	5.17	0.48	2582	10.35	4.97	0.48	2701	9.95	4.78	0.48	2825	9.39	4.51	0.48	3009	8.62	4.14	0.48	3196	7.97	3.83	0.48	3317
26	24	11.92	4.29	0.36	2488	11.41	4.11	0.36	2617	10.97	3.95	0.36	2737	10.55	3.80	0.36	2863	9.95	3.58	0.36	3049	9.14	3.29	0.36	3238	8.45	3.04	0.36	3361
26	26	12.52	3.00	0.24	2521	11.98	2.88	0.24	2651	11.52	2.76	0.24	2773	11.08	2.66	0.24	2901	10.45	2.51	0.24	3089	9.59	2.30	0.24	3281	8.87	2.13	0.24	3405
27	18	10.10	7.67	0.76	2391	9.66	7.34	0.76	2514	9.29	7.06	0.76	2630	8.93	6.79	0.76	2751	8.43	6.41	0.76	2930	7.74	5.88	0.76	3112	7.16	5.44	0.76	3230
27	19	10.30	7.21	0.70	2408	9.86	6.90	0.70	2532	9.48	6.64	0.70	2648	9.12	6.38	0.70	2770	8.60	6.02	0.70	2950	7.89	5.53	0.70	3133	7.30	5.11	0.70	3252
27	20	10.61	6.79	0.64	2424	10.16	6.50	0.64	2549	9.77	6.25	0.64	2666	9.39	6.01	0.64	2789	8.86	5.67	0.64	2970	8.13	5.20	0.64	3154	7.52	4.81	0.64	3274
27	22	11.25	5.85	0.52	2456	10.77	5.60	0.52	2582	10.35	5.38	0.52	2701	9.95	5.18	0.52	2825	9.39	4.88	0.52	3009	8.62	4.48	0.52	3196	7.97	4.15	0.52	3317
27	24	11.92	4.77	0.40	2488	11.41	4.56	0.40	2617	10.97	4.39	0.40	2737	10.55	4.22	0.40	2863	9.95	3.98	0.40	3049	9.14	3.65	0.40	3238	8.45	3.38	0.40	3361
27	26	12.52	3.51	0.28	2521	11.98	3.35	0.28	2651	11.52	3.23	0.28	2773	11.08	3.10	0.28	2901	10.45	2.93	0.28	3089	9.59	2.69	0.28	3281	8.87	2.48	0.28	3405
28	18	10.10	8.08	0.80	2391	9.66	7.73	0.80	2514	9.29	7.43	0.80	2630	8.93	7.15	0.80	2751	8.43	6.74	0.80	2930	7.74	6.19	0.80	3112	7.16	5.73	0.80	3230
28	20	10.61	7.22	0.68	2424	10.16	6.91	0.68	2549	9.77	6.64	0.68	2666	9.39	6.38	0.68	2789	8.86	6.02	0.68	2970	8.13	5.53	0.68	3154	7.52	5.11	0.68	3274
28	22	11.25	6.30	0.56	2456	10.77	6.03	0.56	2582	10.35	5.80	0.56	2701	9.95	5.57	0.56	2825	9.39	5.26	0.56	3009	8.62	4.83	0.56	3196	7.97	4.46	0.56	3317
28	24	11.92	5.25	0.44	2488	11.41	5.02	0.44	2617	10.97	4.83	0.44	2737	10.55	4.64	0.44	2863	9.95	4.38	0.44	3049	9.14	4.02	0.44	3238	8.45	3.72	0.44	3361
28	26	12.52	4.01	0.32	2521	11.98	3.83	0.32	2651	11.52	3.69	0.32	2773	11.08	3.54	0.32	2901	10.45	3.34	0.32	3089	9.59	3.07	0.32	3281	8.87	2.84	0.32	3405
29	18	10.10	8.28	0.82	2391	9.66	7.92	0.82	2514	9.29	7.62	0.82	2630	8.93	7.33	0.82	2751	8.43	6.91	0.82	2930	7.74	6.34	0.82	3112	7.16	5.87	0.82	3230

5. CAPACITIES AND SELECTION DATA

PERFORMANCE DATA (Cooling Operation at Rated Frequency)																													
RPF3-3.5UFE1NH+RAS-3.5UFESNH1																													
CAPACITY: 8.60 kW SHF: 0.70 INPUT: 2950 W																													
INDOOR INDOOR DB (°C) WB(°C)		OUTDOOR DB (°C)																											
		21				25				27				30				35				40				46			
		Q	SHC	SHF	INPUT	Q	SHC	SHF	INPUT	Q	SHC	SHF	INPUT	Q	SHC	SHF	INPUT	Q	SHC	SHF	INPUT	Q	SHC	SHF	INPUT	Q	SHC	SHF	INPUT
29	20	10.61	7.64	0.72	2424	10.16	7.31	0.72	2549	9.77	7.03	0.72	2666	9.39	6.76	0.72	2789	8.86	6.38	0.72	2970	8.13	5.85	0.72	3154	7.52	5.42	0.72	3274
29	22	11.25	6.75	0.60	2456	10.77	6.46	0.60	2582	10.35	6.21	0.60	2701	9.95	5.97	0.60	2825	9.39	5.63	0.60	3009	8.62	5.17	0.60	3196	7.97	4.78	0.60	3317
29	24	11.92	5.72	0.48	2488	11.41	5.48	0.48	2617	10.97	5.27	0.48	2737	10.55	5.06	0.48	2863	9.95	4.78	0.48	3049	9.14	4.39	0.48	3238	8.45	4.06	0.48	3361
29	26	12.52	4.51	0.36	2521	11.98	4.31	0.36	2651	11.52	4.15	0.36	2773	11.08	3.99	0.36	2901	10.45	3.76	0.36	3089	9.59	3.45	0.36	3281	8.87	3.19	0.36	3405
30	18	10.10	8.28	0.82	2391	9.66	7.92	0.82	2514	9.29	7.62	0.82	2630	8.93	7.33	0.82	2751	8.43	6.91	0.82	2930	7.74	6.34	0.82	3112	7.16	5.87	0.82	3230
30	20	10.61	8.07	0.76	2424	10.16	7.72	0.76	2549	9.77	7.42	0.76	2666	9.39	7.14	0.76	2789	8.86	6.73	0.76	2970	8.13	6.18	0.76	3154	7.52	5.72	0.76	3274
30	22	11.25	7.20	0.64	2456	10.77	6.89	0.64	2582	10.35	6.62	0.64	2701	9.95	6.37	0.64	2825	9.39	6.01	0.64	3009	8.62	5.52	0.64	3196	7.97	5.10	0.64	3317
30	24	11.92	6.20	0.52	2488	11.41	5.93	0.52	2617	10.97	5.71	0.52	2737	10.55	5.49	0.52	2863	9.95	5.18	0.52	3049	9.14	4.75	0.52	3238	8.45	4.39	0.52	3361
30	26	12.52	5.01	0.40	2521	11.98	4.79	0.40	2651	11.52	4.61	0.40	2773	11.08	4.43	0.40	2901	10.45	4.18	0.40	3089	9.59	3.84	0.40	3281	8.87	3.55	0.40	3405
31	18	10.10	8.28	0.82	2391	9.66	7.92	0.82	2514	9.29	7.62	0.82	2630	8.93	7.33	0.82	2751	8.43	6.91	0.82	2930	7.74	6.34	0.82	3112	7.16	5.87	0.82	3230
31	20	10.61	8.49	0.80	2424	10.16	8.12	0.80	2549	9.77	7.81	0.80	2666	9.39	7.51	0.80	2789	8.86	7.09	0.80	2970	8.13	6.51	0.80	3154	7.52	6.02	0.80	3274
31	22	11.25	7.65	0.68	2456	10.77	7.32	0.68	2582	10.35	7.04	0.68	2701	9.95	6.77	0.68	2825	9.39	6.38	0.68	3009	8.62	5.86	0.68	3196	7.97	5.42	0.68	3317
31	24	11.92	6.68	0.56	2488	11.41	6.39	0.56	2617	10.97	6.14	0.56	2737	10.55	5.91	0.56	2863	9.95	5.57	0.56	3049	9.14	5.12	0.56	3238	8.45	4.73	0.56	3361
31	26	12.52	5.51	0.44	2521	11.98	5.27	0.44	2651	11.52	5.07	0.44	2773	11.08	4.87	0.44	2901	10.45	4.60	0.44	3089	9.59	4.22	0.44	3281	8.87	3.90	0.44	3405
32	18	10.10	8.28	0.82	2391	9.66	7.92	0.82	2514	9.29	7.62	0.82	2630	8.93	7.33	0.82	2751	8.43	6.91	0.82	2930	7.74	6.34	0.82	3112	7.16	5.87	0.82	3230
32	20	10.61	8.70	0.82	2424	10.16	8.33	0.82	2549	9.77	8.01	0.82	2666	9.39	7.70	0.82	2789	8.86	7.26	0.82	2970	8.13	6.67	0.82	3154	7.52	6.17	0.82	3274
32	22	11.25	8.10	0.72	2456	10.77	7.75	0.72	2582	10.35	7.45	0.72	2701	9.95	7.17	0.72	2825	9.39	6.76	0.72	3009	8.62	6.21	0.72	3196	7.97	5.74	0.72	3317
32	24	11.92	7.15	0.60	2488	11.41	6.85	0.60	2617	10.97	6.58	0.60	2737	10.55	6.33	0.60	2863	9.95	5.97	0.60	3049	9.14	5.48	0.60	3238	8.45	5.07	0.60	3361
32	26	12.52	6.01	0.48	2521	11.98	5.75	0.48	2651	11.52	5.53	0.48	2773	11.08	5.32	0.48	2901	10.45	5.02	0.48	3089	9.59	4.60	0.48	3281	8.87	4.26	0.48	3405

Remarks:
 Q: Total Cooling Capacity (Gross) kW
 SHC: Sensible Heat Capacity (Gross)
 SHF: Sensible Capacity ratio
 INPUT: Power Input (including the
 compressor, evap. fan motor &
 cond. fan motor) W
 DB: Dry Bulb Temperature
 WB: Wet Bulb Temperature

5. CAPACITIES AND SELECTION DATA

PERFORMANCE DATA (Cooling Operation at Rated Frequency)																													
RPF4-4.0UFE1NH+RAS-4.0UFESNH1																													
CAPACITY: 9.80 kW SHF: 0.70 INPUT: 3750 W																													
INDOOR INDOOR DB (°C) WB(°C)		OUTDOOR DB (°C)																											
		21				25				27				30				35				40				46			
		Q	SHC	SHF	INPUT	Q	SHC	SHF	INPUT	Q	SHC	SHF	INPUT	Q	SHC	SHF	INPUT	Q	SHC	SHF	INPUT	Q	SHC	SHF	INPUT	Q	SHC	SHF	INPUT
21	18	11.51	5.98	0.52	3044	11.01	5.73	0.52	3201	10.59	5.51	0.52	3348	10.18	5.29	0.52	3502	9.60	4.99	0.52	3730	8.82	4.58	0.52	3961	8.16	4.24	0.52	4112
21	20	12.09	4.84	0.40	3077	11.57	4.63	0.40	3235	11.13	4.45	0.40	3384	10.70	4.28	0.40	3540	10.09	4.04	0.40	3770	9.27	3.71	0.40	4004	8.57	3.43	0.40	4156
22	18	11.51	6.44	0.56	3044	11.01	6.17	0.56	3201	10.59	5.93	0.56	3348	10.18	5.70	0.56	3502	9.60	5.38	0.56	3730	8.82	4.94	0.56	3961	8.16	4.57	0.56	4112
22	20	12.09	5.32	0.44	3077	11.57	5.09	0.44	3235	11.13	4.90	0.44	3384	10.70	4.71	0.44	3540	10.09	4.44	0.44	3770	9.27	4.08	0.44	4004	8.57	3.77	0.44	4156
22	22	12.82	4.10	0.32	3109	12.27	3.93	0.32	3269	11.80	3.77	0.32	3419	11.34	3.63	0.32	3577	10.70	3.42	0.32	3809	9.82	3.14	0.32	4045	9.09	2.91	0.32	4199
23	18	11.51	6.90	0.60	3044	11.01	6.61	0.60	3201	10.59	6.35	0.60	3348	10.18	6.11	0.60	3502	9.60	5.76	0.60	3730	8.82	5.29	0.60	3961	8.16	4.89	0.60	4112
23	20	12.09	5.80	0.48	3077	11.57	5.55	0.48	3235	11.13	5.34	0.48	3384	10.70	5.14	0.48	3540	10.09	4.85	0.48	3770	9.27	4.45	0.48	4004	8.57	4.11	0.48	4156
23	22	12.82	4.61	0.36	3109	12.27	4.42	0.36	3269	11.80	4.25	0.36	3419	11.34	4.08	0.36	3577	10.70	3.85	0.36	3809	9.82	3.54	0.36	4045	9.09	3.27	0.36	4199
24	18	11.51	7.36	0.64	3044	11.01	7.05	0.64	3201	10.59	6.78	0.64	3348	10.18	6.52	0.64	3502	9.60	6.15	0.64	3730	8.82	5.64	0.64	3961	8.16	5.22	0.64	4112
24	20	12.09	6.29	0.52	3077	11.57	6.02	0.52	3235	11.13	5.79	0.52	3384	10.70	5.56	0.52	3540	10.09	5.25	0.52	3770	9.27	4.82	0.52	4004	8.57	4.46	0.52	4156
24	22	12.82	5.13	0.40	3109	12.27	4.91	0.40	3269	11.80	4.72	0.40	3419	11.34	4.54	0.40	3577	10.70	4.28	0.40	3809	9.82	3.93	0.40	4045	9.09	3.63	0.40	4199
24	24	13.59	3.80	0.28	3141	13.00	3.64	0.28	3303	12.50	3.50	0.28	3455	12.02	3.37	0.28	3614	11.34	3.18	0.28	3849	10.41	2.92	0.28	4088	9.63	2.70	0.28	4243
25	18	11.51	7.82	0.68	3044	11.01	7.49	0.68	3201	10.59	7.20	0.68	3348	10.18	6.92	0.68	3502	9.60	6.53	0.68	3730	8.82	6.00	0.68	3961	8.16	5.55	0.68	4112
25	20	12.09	6.77	0.56	3077	11.57	6.48	0.56	3235	11.13	6.23	0.56	3384	10.70	5.99	0.56	3540	10.09	5.65	0.56	3770	9.27	5.19	0.56	4004	8.57	4.80	0.56	4156
25	22	12.82	5.64	0.44	3109	12.27	5.40	0.44	3269	11.80	5.19	0.44	3419	11.34	4.99	0.44	3577	10.70	4.71	0.44	3809	9.82	4.32	0.44	4045	9.09	4.00	0.44	4199
25	24	13.59	4.35	0.32	3141	13.00	4.16	0.32	3303	12.50	4.00	0.32	3455	12.02	3.85	0.32	3614	11.34	3.63	0.32	3849	10.41	3.33	0.32	4088	9.63	3.08	0.32	4243
26	18	11.51	8.28	0.72	3044	11.01	7.93	0.72	3201	10.59	7.62	0.72	3348	10.18	7.33	0.72	3502	9.60	6.91	0.72	3730	8.82	6.35	0.72	3961	8.16	5.87	0.72	4112
26	20	12.09	7.26	0.60	3077	11.57	6.94	0.60	3235	11.13	6.68	0.60	3384	10.70	6.42	0.60	3540	10.09	6.06	0.60	3770	9.27	5.56	0.60	4004	8.57	5.14	0.60	4156
26	22	12.82	6.15	0.48	3109	12.27	5.89	0.48	3269	11.80	5.66	0.48	3419	11.34	5.44	0.48	3577	10.70	5.14	0.48	3809	9.82	4.71	0.48	4045	9.09	4.36	0.48	4199
26	24	13.59	4.89	0.36	3141	13.00	4.68	0.36	3303	12.50	4.50	0.36	3455	12.02	4.33	0.36	3614	11.34	4.08	0.36	3849	10.41	3.75	0.36	4088	9.63	3.47	0.36	4243
26	26	14.27	3.42	0.24	3174	13.65	3.28	0.24	3337	13.13	3.15	0.24	3491	12.62	3.03	0.24	3652	11.91	2.86	0.24	3889	10.93	2.62	0.24	4130	10.11	2.43	0.24	4287
27	18	11.51	8.74	0.76	3044	11.01	8.37	0.76	3201	10.59	8.05	0.76	3348	10.18	7.74	0.76	3502	9.60	7.30	0.76	3730	8.82	6.70	0.76	3961	8.16	6.20	0.76	4112
27	19	11.74	8.22	0.70	3061	11.24	7.86	0.70	3218	10.80	7.56	0.70	3366	10.39	7.27	0.70	3521	9.80	6.86	0.70	3750	9.00	6.30	0.70	3983	8.32	5.83	0.70	4134
27	20	12.09	7.74	0.64	3077	11.57	7.41	0.64	3235	11.13	7.12	0.64	3384	10.70	6.85	0.64	3540	10.09	6.46	0.64	3770	9.27	5.93	0.64	4004	8.57	5.49	0.64	4156
27	22	12.82	6.67	0.52	3109	12.27	6.38	0.52	3269	11.80	6.13	0.52	3419	11.34	5.90	0.52	3577	10.70	5.56	0.52	3809	9.82	5.11	0.52	4045	9.09	4.72	0.52	4199
27	24	13.59	5.44	0.40	3141	13.00	5.20	0.40	3303	12.50	5.00	0.40	3455	12.02	4.81	0.40	3614	11.34	4.54	0.40	3849	10.41	4.16	0.40	4088	9.63	3.85	0.40	4243
27	26	14.27	3.99	0.28	3174	13.65	3.82	0.28	3337	13.13	3.68	0.28	3491	12.62	3.53	0.28	3652	11.91	3.33	0.28	3889	10.93	3.06	0.28	4130	10.11	2.83	0.28	4287
28	18	11.51	9.21	0.80	3044	11.01	8.81	0.80	3201	10.59	8.47	0.80	3348	10.18	8.14	0.80	3502	9.60	7.68	0.80	3730	8.82	7.05	0.80	3961	8.16	6.52	0.80	4112
28	20	12.09	8.22	0.68	3077	11.57	7.87	0.68	3235	11.13	7.57	0.68	3384	10.70	7.28	0.68	3540	10.09	6.86	0.68	3770	9.27	6.30	0.68	4004	8.57	5.83	0.68	4156
28	22	12.82	7.18	0.56	3109	12.27	6.87	0.56	3269	11.80	6.61	0.56	3419	11.34	6.35	0.56	3577	10.70	5.99	0.56	3809	9.82	5.50	0.56	4045	9.09	5.09	0.56	4199
28	24	13.59	5.98	0.44	3141	13.00	5.72	0.44	3303	12.50	5.50	0.44	3455	12.02	5.29	0.44	3614	11.34	4.99	0.44	3849	10.41	4.58	0.44	4088	9.63	4.24	0.44	4243
28	26	14.27	4.57	0.32	3174	13.65	4.37	0.32	3337	13.13	4.20	0.32	3491	12.62	4.04	0.32	3652	11.91	3.81	0.32	3889	10.93	3.50	0.32	4130	10.11	3.24	0.32	4287
29	18	11.51	9.44	0.82	3044	11.01	9.03	0.82	3201	10.59	8.68	0.82	3348	10.18	8.35	0.82	3502	9.60	7.88	0.82	3730	8.82	7.23	0.82	3961	8.16	6.69	0.82	4112

5. CAPACITIES AND SELECTION DATA

PERFORMANCE DATA (Cooling Operation at Rated Frequency)																													
RPFC-4.0UFE1NH+RAS-4.0UFESNH1																													
CAPACITY: 9.80 kW SHF: 0.70 INPUT: 3750 W																													
INDOOR INDOOR DB (°C) WB(°C)		OUTDOOR DB (°C)																											
		21				25				27				30				35				40				46			
		Q	SHC	SHF	INPUT	Q	SHC	SHF	INPUT	Q	SHC	SHF	INPUT	Q	SHC	SHF	INPUT	Q	SHC	SHF	INPUT	Q	SHC	SHF	INPUT	Q	SHC	SHF	INPUT
29	20	12.09	8.71	0.72	3077	11.57	8.33	0.72	3235	11.13	8.01	0.72	3384	10.70	7.70	0.72	3540	10.09	7.27	0.72	3770	9.27	6.67	0.72	4004	8.57	6.17	0.72	4156
29	22	12.82	7.69	0.60	3109	12.27	7.36	0.60	3269	11.80	7.08	0.60	3419	11.34	6.80	0.60	3577	10.70	6.42	0.60	3809	9.82	5.89	0.60	4045	9.09	5.45	0.60	4199
29	24	13.59	6.52	0.48	3141	13.00	6.24	0.48	3303	12.50	6.00	0.48	3455	12.02	5.77	0.48	3614	11.34	5.44	0.48	3849	10.41	5.00	0.48	4088	9.63	4.62	0.48	4243
29	26	14.27	5.14	0.36	3174	13.65	4.92	0.36	3337	13.13	4.73	0.36	3491	12.62	4.54	0.36	3652	11.91	4.29	0.36	3889	10.93	3.94	0.36	4130	10.11	3.64	0.36	4287
30	18	11.51	9.44	0.82	3044	11.01	9.03	0.82	3201	10.59	8.68	0.82	3348	10.18	8.35	0.82	3502	9.60	7.88	0.82	3730	8.82	7.23	0.82	3961	8.16	6.69	0.82	4112
30	20	12.09	9.19	0.76	3077	11.57	8.80	0.76	3235	11.13	8.46	0.76	3384	10.70	8.13	0.76	3540	10.09	7.67	0.76	3770	9.27	7.04	0.76	4004	8.57	6.51	0.76	4156
30	22	12.82	8.20	0.64	3109	12.27	7.85	0.64	3269	11.80	7.55	0.64	3419	11.34	7.26	0.64	3577	10.70	6.85	0.64	3809	9.82	6.29	0.64	4045	9.09	5.81	0.64	4199
30	24	13.59	7.07	0.52	3141	13.00	6.76	0.52	3303	12.50	6.50	0.52	3455	12.02	6.25	0.52	3614	11.34	5.90	0.52	3849	10.41	5.41	0.52	4088	9.63	5.01	0.52	4243
30	26	14.27	5.71	0.40	3174	13.65	5.46	0.40	3337	13.13	5.25	0.40	3491	12.62	5.05	0.40	3652	11.91	4.76	0.40	3889	10.93	4.37	0.40	4130	10.11	4.04	0.40	4287
31	18	11.51	9.44	0.82	3044	11.01	9.03	0.82	3201	10.59	8.68	0.82	3348	10.18	8.35	0.82	3502	9.60	7.88	0.82	3730	8.82	7.23	0.82	3961	8.16	6.69	0.82	4112
31	20	12.09	9.67	0.80	3077	11.57	9.26	0.80	3235	11.13	8.90	0.80	3384	10.70	8.56	0.80	3540	10.09	8.08	0.80	3770	9.27	7.41	0.80	4004	8.57	6.86	0.80	4156
31	22	12.82	8.72	0.68	3109	12.27	8.34	0.68	3269	11.80	8.02	0.68	3419	11.34	7.71	0.68	3577	10.70	7.28	0.68	3809	9.82	6.68	0.68	4045	9.09	6.18	0.68	4199
31	24	13.59	7.61	0.56	3141	13.00	7.28	0.56	3303	12.50	7.00	0.56	3455	12.02	6.73	0.56	3614	11.34	6.35	0.56	3849	10.41	5.83	0.56	4088	9.63	5.39	0.56	4243
31	26	14.27	6.28	0.44	3174	13.65	6.01	0.44	3337	13.13	5.78	0.44	3491	12.62	5.55	0.44	3652	11.91	5.24	0.44	3889	10.93	4.81	0.44	4130	10.11	4.45	0.44	4287
32	18	11.51	9.44	0.82	3044	11.01	9.03	0.82	3201	10.59	8.68	0.82	3348	10.18	8.35	0.82	3502	9.60	7.88	0.82	3730	8.82	7.23	0.82	3961	8.16	6.69	0.82	4112
32	20	12.09	9.92	0.82	3077	11.57	9.49	0.82	3235	11.13	9.12	0.82	3384	10.70	8.77	0.82	3540	10.09	8.28	0.82	3770	9.27	7.60	0.82	4004	8.57	7.03	0.82	4156
32	22	12.82	9.23	0.72	3109	12.27	8.83	0.72	3269	11.80	8.49	0.72	3419	11.34	8.17	0.72	3577	10.70	7.70	0.72	3809	9.82	7.07	0.72	4045	9.09	6.54	0.72	4199
32	24	13.59	8.15	0.60	3141	13.00	7.80	0.60	3303	12.50	7.50	0.60	3455	12.02	7.21	0.60	3614	11.34	6.80	0.60	3849	10.41	6.25	0.60	4088	9.63	5.78	0.60	4243
32	26	14.27	6.85	0.48	3174	13.65	6.55	0.48	3337	13.13	6.30	0.48	3491	12.62	6.06	0.48	3652	11.91	5.72	0.48	3889	10.93	5.25	0.48	4130	10.11	4.85	0.48	4287

Remarks:
 Q: Total Cooling Capacity (Gross) **kW**
 SHC: Sensible Heat Capacity (Gross)
 SHF: Sensible Capacity ratio
 INPUT: Power Input (including the compressor, evap. fan motor & cond. fan motor) **W**
 DB: Dry Bulb Temperature
 WB: Wet Bulb Temperature

5. CAPACITIES AND SELECTION DATA

PERFORMANCE DATA (Cooling Operation at Rated Frequency)																													
RPFC-5.0UFE1NH+RAS-5.0UFESM1																													
CAPACITY: 12.10 kW SHF: 0.74 INPUT: 4400 W																													
INDOOR INDOOR DB (°C) WB(°C)		OUTDOOR DB (°C)																											
		21				25				27				30				35				40				46			
		Q	SHC	SHF	INPUT	Q	SHC	SHF	INPUT	Q	SHC	SHF	INPUT	Q	SHC	SHF	INPUT	Q	SHC	SHF	INPUT	Q	SHC	SHF	INPUT	Q	SHC	SHF	INPUT
21	18	14.21	7.96	0.56	3575	13.60	7.61	0.56	3759	13.07	7.32	0.56	3932	12.57	7.04	0.56	4113	11.86	6.64	0.56	4380	10.89	6.10	0.56	4652	10.07	5.64	0.56	4828
21	20	14.93	6.57	0.44	3607	14.29	6.29	0.44	3793	13.74	6.05	0.44	3968	13.21	5.81	0.44	4150	12.46	5.48	0.44	4420	11.44	5.03	0.44	4694	10.58	4.66	0.44	4872
22	18	14.21	8.52	0.60	3575	13.60	8.16	0.60	3759	13.07	7.84	0.60	3932	12.57	7.54	0.60	4113	11.86	7.11	0.60	4380	10.89	6.53	0.60	4652	10.07	6.04	0.60	4828
22	20	14.93	7.17	0.48	3607	14.29	6.86	0.48	3793	13.74	6.59	0.48	3968	13.21	6.34	0.48	4150	12.46	5.98	0.48	4420	11.44	5.49	0.48	4694	10.58	5.08	0.48	4872
22	22	15.83	5.70	0.36	3639	15.15	5.45	0.36	3827	14.56	5.24	0.36	4003	14.00	5.04	0.36	4187	13.21	4.76	0.36	4459	12.13	4.37	0.36	4735	11.22	4.04	0.36	4915
23	18	14.21	9.09	0.64	3575	13.60	8.70	0.64	3759	13.07	8.37	0.64	3932	12.57	8.04	0.64	4113	11.86	7.59	0.64	4380	10.89	6.97	0.64	4652	10.07	6.44	0.64	4828
23	20	14.93	7.76	0.52	3607	14.29	7.43	0.52	3793	13.74	7.14	0.52	3968	13.21	6.87	0.52	4150	12.46	6.48	0.52	4420	11.44	5.95	0.52	4694	10.58	5.50	0.52	4872
23	22	15.83	6.33	0.40	3639	15.15	6.06	0.40	3827	14.56	5.83	0.40	4003	14.00	5.60	0.40	4187	13.21	5.28	0.40	4459	12.13	4.85	0.40	4735	11.22	4.49	0.40	4915
24	18	14.21	9.66	0.68	3575	13.60	9.24	0.68	3759	13.07	8.89	0.68	3932	12.57	8.55	0.68	4113	11.86	8.06	0.68	4380	10.89	7.40	0.68	4652	10.07	6.85	0.68	4828
24	20	14.93	8.36	0.56	3607	14.29	8.00	0.56	3793	13.74	7.69	0.56	3968	13.21	7.40	0.56	4150	12.46	6.98	0.56	4420	11.44	6.41	0.56	4694	10.58	5.93	0.56	4872
24	22	15.83	6.96	0.44	3639	15.15	6.66	0.44	3827	14.56	6.41	0.44	4003	14.00	6.16	0.44	4187	13.21	5.81	0.44	4459	12.13	5.34	0.44	4735	11.22	4.94	0.44	4915
24	24	16.78	5.37	0.32	3672	16.05	5.14	0.32	3861	15.44	4.94	0.32	4039	14.84	4.75	0.32	4225	14.00	4.48	0.32	4499	12.86	4.11	0.32	4778	11.89	3.81	0.32	4959
25	18	14.21	10.23	0.72	3575	13.60	9.79	0.72	3759	13.07	9.41	0.72	3932	12.57	9.05	0.72	4113	11.86	8.54	0.72	4380	10.89	7.84	0.72	4652	10.07	7.25	0.72	4828
25	20	14.93	8.96	0.60	3607	14.29	8.57	0.60	3793	13.74	8.24	0.60	3968	13.21	7.93	0.60	4150	12.46	7.48	0.60	4420	11.44	6.86	0.60	4694	10.58	6.35	0.60	4872
25	22	15.83	7.60	0.48	3639	15.15	7.27	0.48	3827	14.56	6.99	0.48	4003	14.00	6.72	0.48	4187	13.21	6.34	0.48	4459	12.13	5.82	0.48	4735	11.22	5.38	0.48	4915
25	24	16.78	6.04	0.36	3672	16.05	5.78	0.36	3861	15.44	5.56	0.36	4039	14.84	5.34	0.36	4225	14.00	5.04	0.36	4499	12.86	4.63	0.36	4778	11.89	4.28	0.36	4959
26	18	14.21	10.80	0.76	3575	13.60	10.33	0.76	3759	13.07	9.93	0.76	3932	12.57	9.55	0.76	4113	11.86	9.01	0.76	4380	10.89	8.27	0.76	4652	10.07	7.65	0.76	4828
26	20	14.93	9.56	0.64	3607	14.29	9.14	0.64	3793	13.74	8.79	0.64	3968	13.21	8.45	0.64	4150	12.46	7.98	0.64	4420	11.44	7.32	0.64	4694	10.58	6.77	0.64	4872
26	22	15.83	8.23	0.52	3639	15.15	7.88	0.52	3827	14.56	7.57	0.52	4003	14.00	7.28	0.52	4187	13.21	6.87	0.52	4459	12.13	6.31	0.52	4735	11.22	5.83	0.52	4915
26	24	16.78	6.71	0.40	3672	16.05	6.42	0.40	3861	15.44	6.17	0.40	4039	14.84	5.94	0.40	4225	14.00	5.60	0.40	4499	12.86	5.14	0.40	4778	11.89	4.76	0.40	4959
26	26	17.62	4.93	0.28	3704	16.86	4.72	0.28	3895	16.21	4.54	0.28	4075	15.59	4.36	0.28	4262	14.70	4.12	0.28	4539	13.50	3.78	0.28	4820	12.49	3.50	0.28	5004
27	18	14.21	11.37	0.80	3575	13.60	10.88	0.80	3759	13.07	10.46	0.80	3932	12.57	10.06	0.80	4113	11.86	9.49	0.80	4380	10.89	8.71	0.80	4652	10.07	8.06	0.80	4828
27	19	14.50	10.73	0.74	3591	13.87	10.27	0.74	3776	13.34	9.87	0.74	3950	12.83	9.49	0.74	4132	12.10	8.95	0.74	4400	11.11	8.22	0.74	4673	10.27	7.60	0.74	4850
27	20	14.93	10.15	0.68	3607	14.29	9.72	0.68	3793	13.74	9.34	0.68	3968	13.21	8.98	0.68	4150	12.46	8.47	0.68	4420	11.44	7.78	0.68	4694	10.58	7.20	0.68	4872
27	22	15.83	8.86	0.56	3639	15.15	8.48	0.56	3827	14.56	8.16	0.56	4003	14.00	7.84	0.56	4187	13.21	7.40	0.56	4459	12.13	6.79	0.56	4735	11.22	6.28	0.56	4915
27	24	16.78	7.38	0.44	3672	16.05	7.06	0.44	3861	15.44	6.79	0.44	4039	14.84	6.53	0.44	4225	14.00	6.16	0.44	4499	12.86	5.66	0.44	4778	11.89	5.23	0.44	4959
27	26	17.62	5.64	0.32	3704	16.86	5.39	0.32	3895	16.21	5.19	0.32	4075	15.59	4.99	0.32	4262	14.70	4.71	0.32	4539	13.50	4.32	0.32	4820	12.49	4.00	0.32	5004
28	18	14.21	11.93	0.84	3575	13.60	11.42	0.84	3759	13.07	10.98	0.84	3932	12.57	10.56	0.84	4113	11.86	9.96	0.84	4380	10.89	9.14	0.84	4652	10.07	8.46	0.84	4828
28	20	14.93	10.75	0.72	3607	14.29	10.29	0.72	3793	13.74	9.89	0.72	3968	13.21	9.51	0.72	4150	12.46	8.97	0.72	4420	11.44	8.24	0.72	4694	10.58	7.62	0.72	4872
28	22	15.83	9.50	0.60	3639	15.15	9.09	0.60	3827	14.56	8.74	0.60	4003	14.00	8.40	0.60	4187	13.21	7.93	0.60	4459	12.13	7.28	0.60	4735	11.22	6.73	0.60	4915
28	24	16.78	8.05	0.48	3672	16.05	7.71	0.48	3861	15.44	7.41	0.48	4039	14.84	7.12	0.48	4225	14.00	6.72	0.48	4499	12.86	6.17	0.48	4778	11.89	5.71	0.48	4959
28	26	17.62	6.34	0.36	3704	16.86	6.07	0.36	3895	16.21	5.84	0.36	4075	15.59	5.61	0.36	4262	14.70	5.29	0.36	4539	13.50	4.86	0.36	4820	12.49	4.49	0.36	5004
29	18	14.21	12.22	0.86	3575	13.60	11.69	0.86	3759	13.07	11.24	0.86	3932	12.57	10.81	0.86	4113	11.86	10.20	0.86	4380	10.89	9.36	0.86	4652	10.07	8.66	0.86	4828

5. CAPACITIES AND SELECTION DATA

PERFORMANCE DATA (Cooling Operation at Rated Frequency)																													
RPFC-5.0UFE1NH+RAS-5.0UFESMH1																													
CAPACITY: 12.10 kW SHF: 0.74 INPUT: 4400 W																													
INDOOR INDOOR DB (°C) WB(°C)		OUTDOOR DB (°C)																											
		21				25				27				30				35				40				46			
		Q	SHC	SHF	INPUT	Q	SHC	SHF	INPUT	Q	SHC	SHF	INPUT	Q	SHC	SHF	INPUT	Q	SHC	SHF	INPUT	Q	SHC	SHF	INPUT	Q	SHC	SHF	INPUT
29	20	14.93	11.35	0.76	3607	14.29	10.86	0.76	3793	13.74	10.44	0.76	3968	13.21	10.04	0.76	4150	12.46	9.47	0.76	4420	11.44	8.70	0.76	4694	10.58	8.04	0.76	4872
29	22	15.83	10.13	0.64	3639	15.15	9.69	0.64	3827	14.56	9.32	0.64	4003	14.00	8.96	0.64	4187	13.21	8.45	0.64	4459	12.13	7.76	0.64	4735	11.22	7.18	0.64	4915
29	24	16.78	8.72	0.52	3672	16.05	8.35	0.52	3861	15.44	8.03	0.52	4039	14.84	7.72	0.52	4225	14.00	7.28	0.52	4499	12.86	6.68	0.52	4778	11.89	6.18	0.52	4959
29	26	17.62	7.05	0.40	3704	16.86	6.74	0.40	3895	16.21	6.48	0.40	4075	15.59	6.23	0.40	4262	14.70	5.88	0.40	4539	13.50	5.40	0.40	4820	12.49	4.99	0.40	5004
30	18	14.21	12.22	0.86	3575	13.60	11.69	0.86	3759	13.07	11.24	0.86	3932	12.57	10.81	0.86	4113	11.86	10.20	0.86	4380	10.89	9.36	0.86	4652	10.07	8.66	0.86	4828
30	20	14.93	11.95	0.80	3607	14.29	11.43	0.80	3793	13.74	10.99	0.80	3968	13.21	10.57	0.80	4150	12.46	9.97	0.80	4420	11.44	9.15	0.80	4694	10.58	8.47	0.80	4872
30	22	15.83	10.76	0.68	3639	15.15	10.30	0.68	3827	14.56	9.90	0.68	4003	14.00	9.52	0.68	4187	13.21	8.98	0.68	4459	12.13	8.25	0.68	4735	11.22	7.63	0.68	4915
30	24	16.78	9.40	0.56	3672	16.05	8.99	0.56	3861	15.44	8.64	0.56	4039	14.84	8.31	0.56	4225	14.00	7.84	0.56	4499	12.86	7.20	0.56	4778	11.89	6.66	0.56	4959
30	26	17.62	7.75	0.44	3704	16.86	7.42	0.44	3895	16.21	7.13	0.44	4075	15.59	6.86	0.44	4262	14.70	6.47	0.44	4539	13.50	5.94	0.44	4820	12.49	5.49	0.44	5004
31	18	14.21	12.22	0.86	3575	13.60	11.69	0.86	3759	13.07	11.24	0.86	3932	12.57	10.81	0.86	4113	11.86	10.20	0.86	4380	10.89	9.36	0.86	4652	10.07	8.66	0.86	4828
31	20	14.93	12.54	0.84	3607	14.29	12.00	0.84	3793	13.74	11.54	0.84	3968	13.21	11.10	0.84	4150	12.46	10.47	0.84	4420	11.44	9.61	0.84	4694	10.58	8.89	0.84	4872
31	22	15.83	11.40	0.72	3639	15.15	10.91	0.72	3827	14.56	10.49	0.72	4003	14.00	10.08	0.72	4187	13.21	9.51	0.72	4459	12.13	8.73	0.72	4735	11.22	8.08	0.72	4915
31	24	16.78	10.07	0.60	3672	16.05	9.63	0.60	3861	15.44	9.26	0.60	4039	14.84	8.91	0.60	4225	14.00	8.40	0.60	4499	12.86	7.71	0.60	4778	11.89	7.13	0.60	4959
31	26	17.62	8.46	0.48	3704	16.86	8.09	0.48	3895	16.21	7.78	0.48	4075	15.59	7.48	0.48	4262	14.70	7.06	0.48	4539	13.50	6.48	0.48	4820	12.49	5.99	0.48	5004
32	18	14.21	12.22	0.86	3575	13.60	11.69	0.86	3759	13.07	11.24	0.86	3932	12.57	10.81	0.86	4113	11.86	10.20	0.86	4380	10.89	9.36	0.86	4652	10.07	8.66	0.86	4828
32	20	14.93	12.84	0.86	3607	14.29	12.29	0.86	3793	13.74	11.82	0.86	3968	13.21	11.36	0.86	4150	12.46	10.72	0.86	4420	11.44	9.84	0.86	4694	10.58	9.10	0.86	4872
32	22	15.83	12.03	0.76	3639	15.15	11.51	0.76	3827	14.56	11.07	0.76	4003	14.00	10.64	0.76	4187	13.21	10.04	0.76	4459	12.13	9.22	0.76	4735	11.22	8.53	0.76	4915
32	24	16.78	10.74	0.64	3672	16.05	10.28	0.64	3861	15.44	9.88	0.64	4039	14.84	9.50	0.64	4225	14.00	8.96	0.64	4499	12.86	8.23	0.64	4778	11.89	7.61	0.64	4959
32	26	17.62	9.16	0.52	3704	16.86	8.77	0.52	3895	16.21	8.43	0.52	4075	15.59	8.10	0.52	4262	14.70	7.65	0.52	4539	13.50	7.02	0.52	4820	12.49	6.49	0.52	5004

Remarks:
 Q: Total Cooling Capacity (Gross) **kW**
 SHC: Sensible Heat Capacity (Gross)
 SHF: Sensible Capacity ratio
 INPUT: Power Input (including the compressor, evap. fan motor & cond. fan motor) **W**
 DB: Dry Bulb Temperature
 WB: Wet Bulb Temperature

5. CAPACITIES AND SELECTION DATA

PERFORMANCE DATA (Cooling Operation at Rated Frequency)																													
RPF6-6.0UFE1NH+RAS-6.0UFESMH1																													
CAPACITY: 13.76 kW SHF: 0.74 INPUT: 5000 W																													
INDOOR INDOOR DB (°C) WB(°C)		OUTDOOR DB (°C)																											
		21				25				27				30				35				40				46			
		Q	SHC	SHF	INPUT	Q	SHC	SHF	INPUT	Q	SHC	SHF	INPUT	Q	SHC	SHF	INPUT	Q	SHC	SHF	INPUT	Q	SHC	SHF	INPUT	Q	SHC	SHF	INPUT
21	18	16.16	9.05	0.56	4064	15.46	8.66	0.56	4274	14.87	8.32	0.56	4470	14.29	8.00	0.56	4676	13.48	7.55	0.56	4980	12.38	6.93	0.56	5289	11.45	6.41	0.56	5490
21	20	16.98	7.47	0.44	4097	16.25	7.15	0.44	4308	15.62	6.87	0.44	4506	15.02	6.61	0.44	4714	14.17	6.24	0.44	5020	13.01	5.72	0.44	5331	12.03	5.30	0.44	5534
22	18	16.16	9.69	0.60	4064	15.46	9.28	0.60	4274	14.87	8.92	0.60	4470	14.29	8.58	0.60	4676	13.48	8.09	0.60	4980	12.38	7.43	0.60	5289	11.45	6.87	0.60	5490
22	20	16.98	8.15	0.48	4097	16.25	7.80	0.48	4308	15.62	7.50	0.48	4506	15.02	7.21	0.48	4714	14.17	6.80	0.48	5020	13.01	6.25	0.48	5331	12.03	5.78	0.48	5534
22	22	18.00	6.48	0.36	4129	17.22	6.20	0.36	4342	16.56	5.96	0.36	4541	15.92	5.73	0.36	4750	15.02	5.41	0.36	5059	13.79	4.96	0.36	5373	12.76	4.59	0.36	5577
23	18	16.16	10.34	0.64	4064	15.46	9.89	0.64	4274	14.87	9.51	0.64	4470	14.29	9.15	0.64	4676	13.48	8.63	0.64	4980	12.38	7.92	0.64	5289	11.45	7.33	0.64	5490
23	20	16.98	8.83	0.52	4097	16.25	8.45	0.52	4308	15.62	8.12	0.52	4506	15.02	7.81	0.52	4714	14.17	7.37	0.52	5020	13.01	6.77	0.52	5331	12.03	6.26	0.52	5534
23	22	18.00	7.20	0.40	4129	17.22	6.89	0.40	4342	16.56	6.62	0.40	4541	15.92	6.37	0.40	4750	15.02	6.01	0.40	5059	13.79	5.52	0.40	5373	12.76	5.10	0.40	5577
24	18	16.16	10.99	0.68	4064	15.46	10.51	0.68	4274	14.87	10.11	0.68	4470	14.29	9.72	0.68	4676	13.48	9.17	0.68	4980	12.38	8.42	0.68	5289	11.45	7.79	0.68	5490
24	20	16.98	9.51	0.56	4097	16.25	9.10	0.56	4308	15.62	8.75	0.56	4506	15.02	8.41	0.56	4714	14.17	7.94	0.56	5020	13.01	7.29	0.56	5331	12.03	6.74	0.56	5534
24	22	18.00	7.92	0.44	4129	17.22	7.58	0.44	4342	16.56	7.29	0.44	4541	15.92	7.01	0.44	4750	15.02	6.61	0.44	5059	13.79	6.07	0.44	5373	12.76	5.61	0.44	5577
24	24	19.08	6.11	0.32	4161	18.26	5.84	0.32	4376	17.56	5.62	0.32	4577	16.88	5.40	0.32	4788	15.92	5.10	0.32	5099	14.62	4.68	0.32	5415	13.52	4.33	0.32	5621
25	18	16.16	11.63	0.72	4064	15.46	11.13	0.72	4274	14.87	10.70	0.72	4470	14.29	10.29	0.72	4676	13.48	9.71	0.72	4980	12.38	8.91	0.72	5289	11.45	8.24	0.72	5490
25	20	16.98	10.19	0.60	4097	16.25	9.75	0.60	4308	15.62	9.37	0.60	4506	15.02	9.01	0.60	4714	14.17	8.50	0.60	5020	13.01	7.81	0.60	5331	12.03	7.22	0.60	5534
25	22	18.00	8.64	0.48	4129	17.22	8.27	0.48	4342	16.56	7.95	0.48	4541	15.92	7.64	0.48	4750	15.02	7.21	0.48	5059	13.79	6.62	0.48	5373	12.76	6.12	0.48	5577
25	24	19.08	6.87	0.36	4161	18.26	6.57	0.36	4376	17.56	6.32	0.36	4577	16.88	6.08	0.36	4788	15.92	5.73	0.36	5099	14.62	5.26	0.36	5415	13.52	4.87	0.36	5621
26	18	16.16	12.28	0.76	4064	15.46	11.75	0.76	4274	14.87	11.30	0.76	4470	14.29	10.86	0.76	4676	13.48	10.25	0.76	4980	12.38	9.41	0.76	5289	11.45	8.70	0.76	5490
26	20	16.98	10.87	0.64	4097	16.25	10.40	0.64	4308	15.62	10.00	0.64	4506	15.02	9.61	0.64	4714	14.17	9.07	0.64	5020	13.01	8.33	0.64	5331	12.03	7.70	0.64	5534
26	22	18.00	9.36	0.52	4129	17.22	8.96	0.52	4342	16.56	8.61	0.52	4541	15.92	8.28	0.52	4750	15.02	7.81	0.52	5059	13.79	7.17	0.52	5373	12.76	6.63	0.52	5577
26	24	19.08	7.63	0.40	4161	18.26	7.30	0.40	4376	17.56	7.02	0.40	4577	16.88	6.75	0.40	4788	15.92	6.37	0.40	5099	14.62	5.85	0.40	5415	13.52	5.41	0.40	5621
26	26	20.03	5.61	0.28	4194	19.17	5.37	0.28	4410	18.43	5.16	0.28	4613	17.72	4.96	0.28	4826	16.72	4.68	0.28	5139	15.35	4.30	0.28	5458	14.20	3.98	0.28	5665
27	18	16.16	12.92	0.80	4064	15.46	12.37	0.80	4274	14.87	11.89	0.80	4470	14.29	11.44	0.80	4676	13.48	10.79	0.80	4980	12.38	9.90	0.80	5289	11.45	9.16	0.80	5490
27	19	16.49	12.20	0.74	4081	15.78	11.67	0.74	4291	15.17	11.23	0.74	4488	14.59	10.79	0.74	4695	13.76	10.18	0.74	5000	12.63	9.35	0.74	5310	11.68	8.65	0.74	5512
27	20	16.98	11.55	0.68	4097	16.25	11.05	0.68	4308	15.62	10.62	0.68	4506	15.02	10.22	0.68	4714	14.17	9.64	0.68	5020	13.01	8.85	0.68	5331	12.03	8.18	0.68	5534
27	22	18.00	10.08	0.56	4129	17.22	9.65	0.56	4342	16.56	9.27	0.56	4541	15.92	8.92	0.56	4750	15.02	8.41	0.56	5059	13.79	7.72	0.56	5373	12.76	7.14	0.56	5577
27	24	19.08	8.39	0.44	4161	18.26	8.03	0.44	4376	17.56	7.72	0.44	4577	16.88	7.43	0.44	4788	15.92	7.01	0.44	5099	14.62	6.43	0.44	5415	13.52	5.95	0.44	5621
27	26	20.03	6.41	0.32	4194	19.17	6.13	0.32	4410	18.43	5.90	0.32	4613	17.72	5.67	0.32	4826	16.72	5.35	0.32	5139	15.35	4.91	0.32	5458	14.20	4.54	0.32	5665
28	18	16.16	13.57	0.84	4064	15.46	12.99	0.84	4274	14.87	12.49	0.84	4470	14.29	12.01	0.84	4676	13.48	11.33	0.84	4980	12.38	10.40	0.84	5289	11.45	9.62	0.84	5490
28	20	16.98	12.23	0.72	4097	16.25	11.70	0.72	4308	15.62	11.25	0.72	4506	15.02	10.82	0.72	4714	14.17	10.20	0.72	5020	13.01	9.37	0.72	5331	12.03	8.67	0.72	5534
28	22	18.00	10.80	0.60	4129	17.22	10.33	0.60	4342	16.56	9.94	0.60	4541	15.92	9.55	0.60	4750	15.02	9.01	0.60	5059	13.79	8.27	0.60	5373	12.76	7.65	0.60	5577
28	24	19.08	9.16	0.48	4161	18.26	8.76	0.48	4376	17.56	8.43	0.48	4577	16.88	8.10	0.48	4788	15.92	7.64	0.48	5099	14.62	7.02	0.48	5415	13.52	6.49	0.48	5621
28	26	20.03	7.21	0.36	4194	19.17	6.90	0.36	4410	18.43	6.64	0.36	4613	17.72	6.38	0.36	4826	16.72	6.02	0.36	5139	15.35	5.53	0.36	5458	14.20	5.11	0.36	5665
29	18	16.16	13.89	0.86	4064	15.46	13.30	0.86	4274	14.87	12.78	0.86	4470	14.29	12.29	0.86	4676	13.48	11.60	0.86	4980	12.38	10.65	0.86	5289	11.45	9.85	0.86	5490

5. CAPACITIES AND SELECTION DATA

PERFORMANCE DATA (Cooling Operation at Rated Frequency)																													
RPFC-6.0UFE1NH+RAS-6.0UFESMH1																													
CAPACITY: 13.76 kW SHF: 0.74 INPUT: 5000 W																													
INDOOR INDOOR DB (°C) WB(°C)		OUTDOOR DB (°C)																											
		21				25				27				30				35				40				46			
		Q	SHC	SHF	INPUT	Q	SHC	SHF	INPUT	Q	SHC	SHF	INPUT	Q	SHC	SHF	INPUT	Q	SHC	SHF	INPUT	Q	SHC	SHF	INPUT	Q	SHC	SHF	INPUT
29	20	16.98	12.91	0.76	4097	16.25	12.35	0.76	4308	15.62	11.87	0.76	4506	15.02	11.42	0.76	4714	14.17	10.77	0.76	5020	13.01	9.89	0.76	5331	12.03	9.15	0.76	5534
29	22	18.00	11.52	0.64	4129	17.22	11.02	0.64	4342	16.56	10.60	0.64	4541	15.92	10.19	0.64	4750	15.02	9.61	0.64	5059	13.79	8.83	0.64	5373	12.76	8.16	0.64	5577
29	24	19.08	9.92	0.52	4161	18.26	9.49	0.52	4376	17.56	9.13	0.52	4577	16.88	8.78	0.52	4788	15.92	8.28	0.52	5099	14.62	7.60	0.52	5415	13.52	7.03	0.52	5621
29	26	20.03	8.01	0.40	4194	19.17	7.67	0.40	4410	18.43	7.37	0.40	4613	17.72	7.09	0.40	4826	16.72	6.69	0.40	5139	15.35	6.14	0.40	5458	14.20	5.68	0.40	5665
30	18	16.16	13.89	0.86	4064	15.46	13.30	0.86	4274	14.87	12.78	0.86	4470	14.29	12.29	0.86	4676	13.48	11.60	0.86	4980	12.38	10.65	0.86	5289	11.45	9.85	0.86	5490
30	20	16.98	13.58	0.80	4097	16.25	13.00	0.80	4308	15.62	12.50	0.80	4506	15.02	12.02	0.80	4714	14.17	11.34	0.80	5020	13.01	10.41	0.80	5331	12.03	9.63	0.80	5534
30	22	18.00	12.24	0.68	4129	17.22	11.71	0.68	4342	16.56	11.26	0.68	4541	15.92	10.83	0.68	4750	15.02	10.22	0.68	5059	13.79	9.38	0.68	5373	12.76	8.67	0.68	5577
30	24	19.08	10.68	0.56	4161	18.26	10.22	0.56	4376	17.56	9.83	0.56	4577	16.88	9.45	0.56	4788	15.92	8.92	0.56	5099	14.62	8.19	0.56	5415	13.52	7.57	0.56	5621
30	26	20.03	8.81	0.44	4194	19.17	8.43	0.44	4410	18.43	8.11	0.44	4613	17.72	7.80	0.44	4826	16.72	7.36	0.44	5139	15.35	6.75	0.44	5458	14.20	6.25	0.44	5665
31	18	16.16	13.89	0.86	4064	15.46	13.30	0.86	4274	14.87	12.78	0.86	4470	14.29	12.29	0.86	4676	13.48	11.60	0.86	4980	12.38	10.65	0.86	5289	11.45	9.85	0.86	5490
31	20	16.98	14.26	0.84	4097	16.25	13.65	0.84	4308	15.62	13.12	0.84	4506	15.02	12.62	0.84	4714	14.17	11.91	0.84	5020	13.01	10.93	0.84	5331	12.03	10.11	0.84	5534
31	22	18.00	12.96	0.72	4129	17.22	12.40	0.72	4342	16.56	11.92	0.72	4541	15.92	11.47	0.72	4750	15.02	10.82	0.72	5059	13.79	9.93	0.72	5373	12.76	9.18	0.72	5577
31	24	19.08	11.45	0.60	4161	18.26	10.95	0.60	4376	17.56	10.53	0.60	4577	16.88	10.13	0.60	4788	15.92	9.55	0.60	5099	14.62	8.77	0.60	5415	13.52	8.11	0.60	5621
31	26	20.03	9.62	0.48	4194	19.17	9.20	0.48	4410	18.43	8.85	0.48	4613	17.72	8.51	0.48	4826	16.72	8.03	0.48	5139	15.35	7.37	0.48	5458	14.20	6.82	0.48	5665
32	18	16.16	13.89	0.86	4064	15.46	13.30	0.86	4274	14.87	12.78	0.86	4470	14.29	12.29	0.86	4676	13.48	11.60	0.86	4980	12.38	10.65	0.86	5289	11.45	9.85	0.86	5490
32	20	16.98	14.60	0.86	4097	16.25	13.97	0.86	4308	15.62	13.44	0.86	4506	15.02	12.92	0.86	4714	14.17	12.19	0.86	5020	13.01	11.19	0.86	5331	12.03	10.35	0.86	5534
32	22	18.00	13.68	0.76	4129	17.22	13.09	0.76	4342	16.56	12.59	0.76	4541	15.92	12.10	0.76	4750	15.02	11.42	0.76	5059	13.79	10.48	0.76	5373	12.76	9.70	0.76	5577
32	24	19.08	12.21	0.64	4161	18.26	11.68	0.64	4376	17.56	11.24	0.64	4577	16.88	10.80	0.64	4788	15.92	10.19	0.64	5099	14.62	9.36	0.64	5415	13.52	8.65	0.64	5621
32	26	20.03	10.42	0.52	4194	19.17	9.97	0.52	4410	18.43	9.59	0.52	4613	17.72	9.22	0.52	4826	16.72	8.69	0.52	5139	15.35	7.98	0.52	5458	14.20	7.38	0.52	5665

Remarks:
 Q: Total Cooling Capacity (Gross) **kW**
 SHC: Sensible Heat Capacity (Gross)
 SHF: Sensible Capacity ratio
 INPUT: Power Input (including the compressor, evap. fan motor & cond. fan motor) **W**
 DB: Dry Bulb Temperature
 WB: Wet Bulb Temperature

5. CAPACITIES AND SELECTION DATA

PERFORMANCE DATA (Cooling Operation at Rated Frequency)																													
RPFC-6.5UFE1NH+RAS-6.5UFESMH1																													
CAPACITY: 16.30 kW SHF: 0.70 INPUT: 6830 W																													
INDOOR INDOOR DB (°C) WB(°C)		OUTDOOR DB (°C)																											
		21				25				27				30				35				40				46			
		Q	SHC	SHF	INPUT	Q	SHC	SHF	INPUT	Q	SHC	SHF	INPUT	Q	SHC	SHF	INPUT	Q	SHC	SHF	INPUT	Q	SHC	SHF	INPUT	Q	SHC	SHF	INPUT
21	18	19.14	9.95	0.52	5558	18.31	9.52	0.52	5844	17.61	9.16	0.52	6113	16.93	8.80	0.52	6395	15.97	8.31	0.52	6810	14.66	7.63	0.52	7232	13.56	7.05	0.52	7507
21	20	20.11	8.05	0.40	5591	19.25	7.70	0.40	5879	18.51	7.40	0.40	6149	17.80	7.12	0.40	6432	16.79	6.72	0.40	6850	15.41	6.16	0.40	7275	14.26	5.70	0.40	7551
22	18	19.14	10.72	0.56	5558	18.31	10.26	0.56	5844	17.61	9.86	0.56	6113	16.93	9.48	0.56	6395	15.97	8.95	0.56	6810	14.66	8.21	0.56	7232	13.56	7.60	0.56	7507
22	20	20.11	8.85	0.44	5591	19.25	8.47	0.44	5879	18.51	8.14	0.44	6149	17.80	7.83	0.44	6432	16.79	7.39	0.44	6850	15.41	6.78	0.44	7275	14.26	6.27	0.44	7551
22	22	21.32	6.82	0.32	5622	20.40	6.53	0.32	5912	19.62	6.28	0.32	6184	18.86	6.04	0.32	6469	17.80	5.69	0.32	6889	16.34	5.23	0.32	7316	15.11	4.84	0.32	7594
23	18	19.14	11.48	0.60	5558	18.31	10.99	0.60	5844	17.61	10.57	0.60	6113	16.93	10.16	0.60	6395	15.97	9.58	0.60	6810	14.66	8.80	0.60	7232	13.56	8.14	0.60	7507
23	20	20.11	9.66	0.48	5591	19.25	9.24	0.48	5879	18.51	8.88	0.48	6149	17.80	8.54	0.48	6432	16.79	8.06	0.48	6850	15.41	7.40	0.48	7275	14.26	6.84	0.48	7551
23	22	21.32	7.68	0.36	5622	20.40	7.35	0.36	5912	19.62	7.06	0.36	6184	18.86	6.79	0.36	6469	17.80	6.41	0.36	6889	16.34	5.88	0.36	7316	15.11	5.44	0.36	7594
24	18	19.14	12.25	0.64	5558	18.31	11.72	0.64	5844	17.61	11.27	0.64	6113	16.93	10.84	0.64	6395	15.97	10.22	0.64	6810	14.66	9.39	0.64	7232	13.56	8.68	0.64	7507
24	20	20.11	10.46	0.52	5591	19.25	10.01	0.52	5879	18.51	9.62	0.52	6149	17.80	9.25	0.52	6432	16.79	8.73	0.52	6850	15.41	8.01	0.52	7275	14.26	7.41	0.52	7551
24	22	21.32	8.53	0.40	5622	20.40	8.16	0.40	5912	19.62	7.85	0.40	6184	18.86	7.55	0.40	6469	17.80	7.12	0.40	6889	16.34	6.53	0.40	7316	15.11	6.04	0.40	7594
24	24	22.60	6.33	0.28	5655	21.63	6.06	0.28	5946	20.80	5.82	0.28	6220	20.00	5.60	0.28	6506	18.86	5.28	0.28	6929	17.32	4.85	0.28	7359	16.02	4.49	0.28	7638
25	18	19.14	13.01	0.68	5558	18.31	12.45	0.68	5844	17.61	11.97	0.68	6113	16.93	11.51	0.68	6395	15.97	10.86	0.68	6810	14.66	9.97	0.68	7232	13.56	9.22	0.68	7507
25	20	20.11	11.26	0.56	5591	19.25	10.78	0.56	5879	18.51	10.36	0.56	6149	17.80	9.97	0.56	6432	16.79	9.40	0.56	6850	15.41	8.63	0.56	7275	14.26	7.98	0.56	7551
25	22	21.32	9.38	0.44	5622	20.40	8.98	0.44	5912	19.62	8.63	0.44	6184	18.86	8.30	0.44	6469	17.80	7.83	0.44	6889	16.34	7.19	0.44	7316	15.11	6.65	0.44	7594
25	24	22.60	7.23	0.32	5655	21.63	6.92	0.32	5946	20.80	6.65	0.32	6220	20.00	6.40	0.32	6506	18.86	6.04	0.32	6929	17.32	5.54	0.32	7359	16.02	5.13	0.32	7638
26	18	19.14	13.78	0.72	5558	18.31	13.19	0.72	5844	17.61	12.68	0.72	6113	16.93	12.19	0.72	6395	15.97	11.50	0.72	6810	14.66	10.56	0.72	7232	13.56	9.77	0.72	7507
26	20	20.11	12.07	0.60	5591	19.25	11.55	0.60	5879	18.51	11.10	0.60	6149	17.80	10.68	0.60	6432	16.79	10.07	0.60	6850	15.41	9.25	0.60	7275	14.26	8.55	0.60	7551
26	22	21.32	10.23	0.48	5622	20.40	9.79	0.48	5912	19.62	9.42	0.48	6184	18.86	9.05	0.48	6469	17.80	8.54	0.48	6889	16.34	7.84	0.48	7316	15.11	7.25	0.48	7594
26	24	22.60	8.14	0.36	5655	21.63	7.79	0.36	5946	20.80	7.49	0.36	6220	20.00	7.20	0.36	6506	18.86	6.79	0.36	6929	17.32	6.23	0.36	7359	16.02	5.77	0.36	7638
26	26	23.73	5.70	0.24	5688	22.71	5.45	0.24	5981	21.84	5.24	0.24	6256	21.00	5.04	0.24	6544	19.81	4.75	0.24	6969	18.18	4.36	0.24	7401	16.82	4.04	0.24	7682
27	18	19.14	14.55	0.76	5558	18.31	13.92	0.76	5844	17.61	13.38	0.76	6113	16.93	12.87	0.76	6395	15.97	12.14	0.76	6810	14.66	11.14	0.76	7232	13.56	10.31	0.76	7507
27	19	19.53	13.67	0.70	5574	18.69	13.08	0.70	5861	17.97	12.58	0.70	6131	17.28	12.09	0.70	6413	16.30	11.41	0.70	6830	14.96	10.47	0.70	7253	13.84	9.69	0.70	7529
27	20	20.11	12.87	0.64	5591	19.25	12.32	0.64	5879	18.51	11.85	0.64	6149	17.80	11.39	0.64	6432	16.79	10.74	0.64	6850	15.41	9.86	0.64	7275	14.26	9.12	0.64	7551
27	22	21.32	11.09	0.52	5622	20.40	10.61	0.52	5912	19.62	10.20	0.52	6184	18.86	9.81	0.52	6469	17.80	9.25	0.52	6889	16.34	8.50	0.52	7316	15.11	7.86	0.52	7594
27	24	22.60	9.04	0.40	5655	21.63	8.65	0.40	5946	20.80	8.32	0.40	6220	20.00	8.00	0.40	6506	18.86	7.55	0.40	6929	17.32	6.93	0.40	7359	16.02	6.41	0.40	7638
27	26	23.73	6.64	0.28	5688	22.71	6.36	0.28	5981	21.84	6.11	0.28	6256	21.00	5.88	0.28	6544	19.81	5.55	0.28	6969	18.18	5.09	0.28	7401	16.82	4.71	0.28	7682
28	18	19.14	15.31	0.80	5558	18.31	14.65	0.80	5844	17.61	14.09	0.80	6113	16.93	13.55	0.80	6395	15.97	12.78	0.80	6810	14.66	11.73	0.80	7232	13.56	10.85	0.80	7507
28	20	20.11	13.68	0.68	5591	19.25	13.09	0.68	5879	18.51	12.59	0.68	6149	17.80	12.10	0.68	6432	16.79	11.42	0.68	6850	15.41	10.48	0.68	7275	14.26	9.69	0.68	7551
28	22	21.32	11.94	0.56	5622	20.40	11.43	0.56	5912	19.62	10.99	0.56	6184	18.86	10.56	0.56	6469	17.80	9.97	0.56	6889	16.34	9.15	0.56	7316	15.11	8.46	0.56	7594
28	24	22.60	9.94	0.44	5655	21.63	9.52	0.44	5946	20.80	9.15	0.44	6220	20.00	8.80	0.44	6506	18.86	8.30	0.44	6929	17.32	7.62	0.44	7359	16.02	7.05	0.44	7638
28	26	23.73	7.59	0.32	5688	22.71	7.27	0.32	5981	21.84	6.99	0.32	6256	21.00	6.72	0.32	6544	19.81	6.34	0.32	6969	18.18	5.82	0.32	7401	16.82	5.38	0.32	7682
29	18	19.14	15.69	0.82	5558	18.31	15.02	0.82	5844	17.61	14.44	0.82	6113	16.93	13.88	0.82	6395	15.97	13.10	0.82	6810	14.66	12.02	0.82	7232	13.56	11.12	0.82	7507

5. CAPACITIES AND SELECTION DATA

PERFORMANCE DATA (Cooling Operation at Rated Frequency)																													
RPFC-6.5UFE1NH+RAS-6.5UFESMH1																													
CAPACITY: 16.30 kW SHF: 0.70 INPUT: 6830 W																													
INDOOR INDOOR DB (°C) WB(°C)		OUTDOOR DB (°C)																											
		21				25				27				30				35				40				46			
		Q	SHC	SHF	INPUT	Q	SHC	SHF	INPUT	Q	SHC	SHF	INPUT	Q	SHC	SHF	INPUT	Q	SHC	SHF	INPUT	Q	SHC	SHF	INPUT				
29	20	20.11	14.48	0.72	5591	19.25	13.86	0.72	5879	18.51	13.33	0.72	6149	17.80	12.81	0.72	6432	16.79	12.09	0.72	6850	15.41	11.10	0.72	7275	14.26	10.26	0.72	7551
29	22	21.32	12.79	0.60	5622	20.40	12.24	0.60	5912	19.62	11.77	0.60	6184	18.86	11.32	0.60	6469	17.80	10.68	0.60	6889	16.34	9.80	0.60	7316	15.11	9.07	0.60	7594
29	24	22.60	10.85	0.48	5655	21.63	10.38	0.48	5946	20.80	9.98	0.48	6220	20.00	9.60	0.48	6506	18.86	9.05	0.48	6929	17.32	8.31	0.48	7359	16.02	7.69	0.48	7638
29	26	23.73	8.54	0.36	5688	22.71	8.18	0.36	5981	21.84	7.86	0.36	6256	21.00	7.56	0.36	6544	19.81	7.13	0.36	6969	18.18	6.55	0.36	7401	16.82	6.05	0.36	7682
30	18	19.14	15.69	0.82	5558	18.31	15.02	0.82	5844	17.61	14.44	0.82	6113	16.93	13.88	0.82	6395	15.97	13.10	0.82	6810	14.66	12.02	0.82	7232	13.56	11.12	0.82	7507
30	20	20.11	15.29	0.76	5591	19.25	14.63	0.76	5879	18.51	14.07	0.76	6149	17.80	13.53	0.76	6432	16.79	12.76	0.76	6850	15.41	11.71	0.76	7275	14.26	10.83	0.76	7551
30	22	21.32	13.65	0.64	5622	20.40	13.06	0.64	5912	19.62	12.56	0.64	6184	18.86	12.07	0.64	6469	17.80	11.39	0.64	6889	16.34	10.46	0.64	7316	15.11	9.67	0.64	7594
30	24	22.60	11.75	0.52	5655	21.63	11.25	0.52	5946	20.80	10.81	0.52	6220	20.00	10.40	0.52	6506	18.86	9.81	0.52	6929	17.32	9.00	0.52	7359	16.02	8.33	0.52	7638
30	26	23.73	9.49	0.40	5688	22.71	9.08	0.40	5981	21.84	8.73	0.40	6256	21.00	8.40	0.40	6544	19.81	7.92	0.40	6969	18.18	7.27	0.40	7401	16.82	6.73	0.40	7682
31	18	19.14	15.69	0.82	5558	18.31	15.02	0.82	5844	17.61	14.44	0.82	6113	16.93	13.88	0.82	6395	15.97	13.10	0.82	6810	14.66	12.02	0.82	7232	13.56	11.12	0.82	7507
31	20	20.11	16.09	0.80	5591	19.25	15.40	0.80	5879	18.51	14.81	0.80	6149	17.80	14.24	0.80	6432	16.79	13.43	0.80	6850	15.41	12.33	0.80	7275	14.26	11.41	0.80	7551
31	22	21.32	14.50	0.68	5622	20.40	13.87	0.68	5912	19.62	13.34	0.68	6184	18.86	12.83	0.68	6469	17.80	12.10	0.68	6889	16.34	11.11	0.68	7316	15.11	10.28	0.68	7594
31	24	22.60	12.66	0.56	5655	21.63	12.11	0.56	5946	20.80	11.65	0.56	6220	20.00	11.20	0.56	6506	18.86	10.56	0.56	6929	17.32	9.70	0.56	7359	16.02	8.97	0.56	7638
31	26	23.73	10.44	0.44	5688	22.71	9.99	0.44	5981	21.84	9.61	0.44	6256	21.00	9.24	0.44	6544	19.81	8.72	0.44	6969	18.18	8.00	0.44	7401	16.82	7.40	0.44	7682
32	18	19.14	15.69	0.82	5558	18.31	15.02	0.82	5844	17.61	14.44	0.82	6113	16.93	13.88	0.82	6395	15.97	13.10	0.82	6810	14.66	12.02	0.82	7232	13.56	11.12	0.82	7507
32	20	20.11	16.49	0.82	5591	19.25	15.78	0.82	5879	18.51	15.18	0.82	6149	17.80	14.59	0.82	6432	16.79	13.77	0.82	6850	15.41	12.64	0.82	7275	14.26	11.69	0.82	7551
32	22	21.32	15.35	0.72	5622	20.40	14.69	0.72	5912	19.62	14.13	0.72	6184	18.86	13.58	0.72	6469	17.80	12.81	0.72	6889	16.34	11.76	0.72	7316	15.11	10.88	0.72	7594
32	24	22.60	13.56	0.60	5655	21.63	12.98	0.60	5946	20.80	12.48	0.60	6220	20.00	12.00	0.60	6506	18.86	11.32	0.60	6929	17.32	10.39	0.60	7359	16.02	9.61	0.60	7638
32	26	23.73	11.39	0.48	5688	22.71	10.90	0.48	5981	21.84	10.48	0.48	6256	21.00	10.08	0.48	6544	19.81	9.51	0.48	6969	18.18	8.73	0.48	7401	16.82	8.07	0.48	7682

Remarks:
 Q: Total Cooling Capacity (Gross) kW
 SHC: Sensible Heat Capacity (Gross)
 SHF: Sensible Capacity ratio
 INPUT: Power Input (including the compressor, evap. fan motor & cond. fan motor) W
 DB: Dry Bulb Temperature
 WB: Wet Bulb Temperature

5. CAPACITIES AND SELECTION DATA

INDOOR DB(°C) WB(°C)		PERFORMANCE DATA (Cooling Operation at Rated Frequency)																											
		RPFC-5.0UFE1NH+RAS-5.0UFESNH1																											
		CAPACITY: 12.70 kW SHF: 0.70 INPUT: 4530 W																											
		OUTDOOR DB (°C)																											
		21				25				27				30				35				40				46			
		Q	SHC	SHF	INPUT	Q	SHC	SHF	INPUT	Q	SHC	SHF	INPUT	Q	SHC	SHF	INPUT	Q	SHC	SHF	INPUT	Q	SHC	SHF	INPUT	Q	SHC	SHF	INPUT
21	18	14.91	7.75	0.52	3681	14.27	7.42	0.52	3870	13.72	7.13	0.52	4049	13.19	6.86	0.52	4235	12.45	6.47	0.52	4510	11.43	5.94	0.52	4790	10.57	5.50	0.52	4972
21	20	15.67	6.27	0.40	3713	15.00	6.00	0.40	3905	14.42	5.77	0.40	4084	13.87	5.55	0.40	4272	13.08	5.23	0.40	4550	12.01	4.80	0.40	4832	11.11	4.44	0.40	5016
22	18	14.91	8.35	0.56	3681	14.27	7.99	0.56	3870	13.72	7.68	0.56	4049	13.19	7.39	0.56	4235	12.45	6.97	0.56	4510	11.43	6.40	0.56	4790	10.57	5.92	0.56	4972
22	20	15.67	6.90	0.44	3713	15.00	6.60	0.44	3905	14.42	6.35	0.44	4084	13.87	6.10	0.44	4272	13.08	5.76	0.44	4550	12.01	5.28	0.44	4832	11.11	4.89	0.44	5016
22	22	16.61	5.32	0.32	3745	15.90	5.09	0.32	3938	15.29	4.89	0.32	4119	14.70	4.70	0.32	4309	13.87	4.44	0.32	4589	12.73	4.07	0.32	4874	11.77	3.77	0.32	5059
23	18	14.91	8.95	0.60	3681	14.27	8.56	0.60	3870	13.72	8.23	0.60	4049	13.19	7.92	0.60	4235	12.45	7.47	0.60	4510	11.43	6.86	0.60	4790	10.57	6.34	0.60	4972
23	20	15.67	7.52	0.48	3713	15.00	7.20	0.48	3905	14.42	6.92	0.48	4084	13.87	6.66	0.48	4272	13.08	6.28	0.48	4550	12.01	5.76	0.48	4832	11.11	5.33	0.48	5016
23	22	16.61	5.98	0.36	3745	15.90	5.72	0.36	3938	15.29	5.50	0.36	4119	14.70	5.29	0.36	4309	13.87	4.99	0.36	4589	12.73	4.58	0.36	4874	11.77	4.24	0.36	5059
24	18	14.91	9.54	0.64	3681	14.27	9.13	0.64	3870	13.72	8.78	0.64	4049	13.19	8.44	0.64	4235	12.45	7.97	0.64	4510	11.43	7.31	0.64	4790	10.57	6.76	0.64	4972
24	20	15.67	8.15	0.52	3713	15.00	7.80	0.52	3905	14.42	7.50	0.52	4084	13.87	7.21	0.52	4272	13.08	6.80	0.52	4550	12.01	6.24	0.52	4832	11.11	5.78	0.52	5016
24	22	16.61	6.65	0.40	3745	15.90	6.36	0.40	3938	15.29	6.11	0.40	4119	14.70	5.88	0.40	4309	13.87	5.55	0.40	4589	12.73	5.09	0.40	4874	11.77	4.71	0.40	5059
24	24	17.61	4.93	0.28	3778	16.85	4.72	0.28	3973	16.20	4.54	0.28	4155	15.58	4.36	0.28	4347	14.70	4.12	0.28	4629	13.49	3.78	0.28	4916	12.48	3.49	0.28	5103
25	18	14.91	10.14	0.68	3681	14.27	9.70	0.68	3870	13.72	9.33	0.68	4049	13.19	8.97	0.68	4235	12.45	8.46	0.68	4510	11.43	7.77	0.68	4790	10.57	7.19	0.68	4972
25	20	15.67	8.78	0.56	3713	15.00	8.40	0.56	3905	14.42	8.08	0.56	4084	13.87	7.76	0.56	4272	13.08	7.33	0.56	4550	12.01	6.72	0.56	4832	11.11	6.22	0.56	5016
25	22	16.61	7.31	0.44	3745	15.90	6.99	0.44	3938	15.29	6.73	0.44	4119	14.70	6.47	0.44	4309	13.87	6.10	0.44	4589	12.73	5.60	0.44	4874	11.77	5.18	0.44	5059
25	24	17.61	5.63	0.32	3778	16.85	5.39	0.32	3973	16.20	5.18	0.32	4155	15.58	4.99	0.32	4347	14.70	4.70	0.32	4629	13.49	4.32	0.32	4916	12.48	3.99	0.32	5103
26	18	14.91	10.74	0.72	3681	14.27	10.27	0.72	3870	13.72	9.88	0.72	4049	13.19	9.50	0.72	4235	12.45	8.96	0.72	4510	11.43	8.23	0.72	4790	10.57	7.61	0.72	4972
26	20	15.67	9.40	0.60	3713	15.00	9.00	0.60	3905	14.42	8.65	0.60	4084	13.87	8.32	0.60	4272	13.08	7.85	0.60	4550	12.01	7.21	0.60	4832	11.11	6.66	0.60	5016
26	22	16.61	7.97	0.48	3745	15.90	7.63	0.48	3938	15.29	7.34	0.48	4119	14.70	7.05	0.48	4309	13.87	6.66	0.48	4589	12.73	6.11	0.48	4874	11.77	5.65	0.48	5059
26	24	17.61	6.34	0.36	3778	16.85	6.07	0.36	3973	16.20	5.83	0.36	4155	15.58	5.61	0.36	4347	14.70	5.29	0.36	4629	13.49	4.86	0.36	4916	12.48	4.49	0.36	5103
26	26	18.49	4.44	0.24	3811	17.69	4.25	0.24	4007	17.01	4.08	0.24	4191	16.36	3.93	0.24	4384	15.43	3.70	0.24	4669	14.17	3.40	0.24	4958	13.10	3.15	0.24	5147
27	18	14.91	11.33	0.76	3681	14.27	10.84	0.76	3870	13.72	10.43	0.76	4049	13.19	10.03	0.76	4235	12.45	9.46	0.76	4510	11.43	8.68	0.76	4790	10.57	8.03	0.76	4972
27	19	15.22	10.65	0.70	3697	14.56	10.19	0.70	3888	14.00	9.80	0.70	4067	13.46	9.42	0.70	4254	12.70	8.89	0.70	4530	11.66	8.16	0.70	4811	10.78	7.55	0.70	4994
27	20	15.67	10.03	0.64	3713	15.00	9.60	0.64	3905	14.42	9.23	0.64	4084	13.87	8.87	0.64	4272	13.08	8.37	0.64	4550	12.01	7.69	0.64	4832	11.11	7.11	0.64	5016
27	22	16.61	8.64	0.52	3745	15.90	8.27	0.52	3938	15.29	7.95	0.52	4119	14.70	7.64	0.52	4309	13.87	7.21	0.52	4589	12.73	6.62	0.52	4874	11.77	6.12	0.52	5059
27	24	17.61	7.04	0.40	3778	16.85	6.74	0.40	3973	16.20	6.48	0.40	4155	15.58	6.23	0.40	4347	14.70	5.88	0.40	4629	13.49	5.40	0.40	4916	12.48	4.99	0.40	5103
27	26	18.49	5.18	0.28	3811	17.69	4.95	0.28	4007	17.01	4.76	0.28	4191	16.36	4.58	0.28	4384	15.43	4.32	0.28	4669	14.17	3.97	0.28	4958	13.10	3.67	0.28	5147
28	18	14.91	11.93	0.80	3681	14.27	11.42	0.80	3870	13.72	10.98	0.80	4049	13.19	10.55	0.80	4235	12.45	9.96	0.80	4510	11.43	9.14	0.80	4790	10.57	8.45	0.80	4972
28	20	15.67	10.66	0.68	3713	15.00	10.20	0.68	3905	14.42	9.81	0.68	4084	13.87	9.43	0.68	4272	13.08	8.90	0.68	4550	12.01	8.17	0.68	4832	11.11	7.55	0.68	5016
28	22	16.61	9.30	0.56	3745	15.90	8.90	0.56	3938	15.29	8.56	0.56	4119	14.70	8.23	0.56	4309	13.87	7.76	0.56	4589	12.73	7.13	0.56	4874	11.77	6.59	0.56	5059
28	24	17.61	7.75	0.44	3778	16.85	7.41	0.44	3973	16.20	7.13	0.44	4155	15.58	6.86	0.44	4347	14.70	6.47	0.44	4629	13.49	5.94	0.44	4916	12.48	5.49	0.44	5103
28	26	18.49	5.92	0.32	3811	17.69	5.66	0.32	4007	17.01	5.44	0.32	4191	16.36	5.23	0.32	4384	15.43	4.94	0.32	4669	14.17	4.53	0.32	4958	13.10	4.19	0.32	5147
29	18	14.91	12.23	0.82	3681	14.27	11.70	0.82	3870	13.72	11.25	0.82	4049	13.19	10.82	0.82	4235	12.45	10.21	0.82	4510	11.43	9.37	0.82	4790	10.57	8.67	0.82	4972

5. CAPACITIES AND SELECTION DATA

PERFORMANCE DATA (Cooling Operation at Rated Frequency)																													
RPFC-5.0UFE1NH+RAS-5.0UFESNH1																													
CAPACITY: 12.70 kW SHF: 0.70 INPUT: 4530 W																													
INDOOR DB(°C) WB(°C)		OUTDOOR DB (°C)																											
		21				25				27				30				35				40				46			
		Q	SHC	SHF	INPUT	Q	SHC	SHF	INPUT	Q	SHC	SHF	INPUT	Q	SHC	SHF	INPUT	Q	SHC	SHF	INPUT	Q	SHC	SHF	INPUT	Q	SHC	SHF	INPUT
29	20	15.67	11.28	0.72	3713	15.00	10.80	0.72	3905	14.42	10.38	0.72	4084	13.87	9.98	0.72	4272	13.08	9.42	0.72	4550	12.01	8.65	0.72	4832	11.11	8.00	0.72	5016
29	22	16.61	9.97	0.60	3745	15.90	9.54	0.60	3938	15.29	9.17	0.60	4119	14.70	8.82	0.60	4309	13.87	8.32	0.60	4589	12.73	7.64	0.60	4874	11.77	7.06	0.60	5059
29	24	17.61	8.45	0.48	3778	16.85	8.09	0.48	3973	16.20	7.78	0.48	4155	15.58	7.48	0.48	4347	14.70	7.05	0.48	4629	13.49	6.48	0.48	4916	12.48	5.99	0.48	5103
29	26	18.49	6.66	0.36	3811	17.69	6.37	0.36	4007	17.01	6.12	0.36	4191	16.36	5.89	0.36	4384	15.43	5.56	0.36	4669	14.17	5.10	0.36	4958	13.10	4.72	0.36	5147
30	18	14.91	12.23	0.82	3681	14.27	11.70	0.82	3870	13.72	11.25	0.82	4049	13.19	10.82	0.82	4235	12.45	10.21	0.82	4510	11.43	9.37	0.82	4790	10.57	8.67	0.82	4972
30	20	15.67	11.91	0.76	3713	15.00	11.40	0.76	3905	14.42	10.96	0.76	4084	13.87	10.54	0.76	4272	13.08	9.94	0.76	4550	12.01	9.13	0.76	4832	11.11	8.44	0.76	5016
30	22	16.61	10.63	0.64	3745	15.90	10.17	0.64	3938	15.29	9.78	0.64	4119	14.70	9.41	0.64	4309	13.87	8.87	0.64	4589	12.73	8.15	0.64	4874	11.77	7.54	0.64	5059
30	24	17.61	9.16	0.52	3778	16.85	8.76	0.52	3973	16.20	8.43	0.52	4155	15.58	8.10	0.52	4347	14.70	7.64	0.52	4629	13.49	7.02	0.52	4916	12.48	6.49	0.52	5103
30	26	18.49	7.40	0.40	3811	17.69	7.08	0.40	4007	17.01	6.81	0.40	4191	16.36	6.54	0.40	4384	15.43	6.17	0.40	4669	14.17	5.67	0.40	4958	13.10	5.24	0.40	5147
31	18	14.91	12.23	0.82	3681	14.27	11.70	0.82	3870	13.72	11.25	0.82	4049	13.19	10.82	0.82	4235	12.45	10.21	0.82	4510	11.43	9.37	0.82	4790	10.57	8.67	0.82	4972
31	20	15.67	12.54	0.80	3713	15.00	12.00	0.80	3905	14.42	11.54	0.80	4084	13.87	11.09	0.80	4272	13.08	10.46	0.80	4550	12.01	9.61	0.80	4832	11.11	8.89	0.80	5016
31	22	16.61	11.30	0.68	3745	15.90	10.81	0.68	3938	15.29	10.39	0.68	4119	14.70	9.99	0.68	4309	13.87	9.43	0.68	4589	12.73	8.66	0.68	4874	11.77	8.01	0.68	5059
31	24	17.61	9.86	0.56	3778	16.85	9.44	0.56	3973	16.20	9.07	0.56	4155	15.58	8.72	0.56	4347	14.70	8.23	0.56	4629	13.49	7.56	0.56	4916	12.48	6.99	0.56	5103
31	26	18.49	8.14	0.44	3811	17.69	7.79	0.44	4007	17.01	7.49	0.44	4191	16.36	7.20	0.44	4384	15.43	6.79	0.44	4669	14.17	6.23	0.44	4958	13.10	5.77	0.44	5147
32	18	14.91	12.23	0.82	3681	14.27	11.70	0.82	3870	13.72	11.25	0.82	4049	13.19	10.82	0.82	4235	12.45	10.21	0.82	4510	11.43	9.37	0.82	4790	10.57	8.67	0.82	4972
32	20	15.67	12.85	0.82	3713	15.00	12.30	0.82	3905	14.42	11.82	0.82	4084	13.87	11.37	0.82	4272	13.08	10.73	0.82	4550	12.01	9.85	0.82	4832	11.11	9.11	0.82	5016
32	22	16.61	11.96	0.72	3745	15.90	11.45	0.72	3938	15.29	11.01	0.72	4119	14.70	10.58	0.72	4309	13.87	9.98	0.72	4589	12.73	9.16	0.72	4874	11.77	8.48	0.72	5059
32	24	17.61	10.57	0.60	3778	16.85	10.11	0.60	3973	16.20	9.72	0.60	4155	15.58	9.35	0.60	4347	14.70	8.82	0.60	4629	13.49	8.10	0.60	4916	12.48	7.49	0.60	5103
32	26	18.49	8.88	0.48	3811	17.69	8.49	0.48	4007	17.01	8.17	0.48	4191	16.36	7.85	0.48	4384	15.43	7.41	0.48	4669	14.17	6.80	0.48	4958	13.10	6.29	0.48	5147

Remarks:
 Q: Total Cooling Capacity (Gross) **kW**
 SHC: Sensible Heat Capacity (Gross)
 SHF: Sensible Capacity ratio
 INPUT: Power Input (including the compressor, evap. fan motor & cond. fan motor) **W**
 DB: Dry Bulb Temperature
 WB: Wet Bulb Temperature

5. CAPACITIES AND SELECTION DATA

INDOOR INDOOR DB(°C) WB(°C)		PERFORMANCE DATA (Cooling Operation at Rated Frequency)																											
		RPFC-6.0UFE1NH+RAS-6.0UFESNH1																											
		CAPACITY:14.00 kW SHF: 0.74 INPUT: 5150 W																											
		OUTDOOR DB (°C)																											
		21				25				27				30				35				40				46			
		Q	SHC	SHF	INPUT	Q	SHC	SHF	INPUT	Q	SHC	SHF	INPUT	Q	SHC	SHF	INPUT	Q	SHC	SHF	INPUT	Q	SHC	SHF	INPUT	Q	SHC	SHF	INPUT
21	18	16.44	9.21	0.56	4187	15.73	8.81	0.56	4402	15.12	8.47	0.56	4605	14.54	8.14	0.56	4817	13.72	7.68	0.56	5130	12.59	7.05	0.56	5448	11.65	6.52	0.56	5655
21	20	17.28	7.60	0.44	4219	16.53	7.27	0.44	4437	15.90	6.99	0.44	4641	15.29	6.73	0.44	4855	14.42	6.34	0.44	5170	13.24	5.82	0.44	5491	12.24	5.39	0.44	5699
22	18	16.44	9.86	0.60	4187	15.73	9.44	0.60	4402	15.12	9.07	0.60	4605	14.54	8.73	0.60	4817	13.72	8.23	0.60	5130	12.59	7.56	0.60	5448	11.65	6.99	0.60	5655
22	20	17.28	8.29	0.48	4219	16.53	7.94	0.48	4437	15.90	7.63	0.48	4641	15.29	7.34	0.48	4855	14.42	6.92	0.48	5170	13.24	6.35	0.48	5491	12.24	5.88	0.48	5699
22	22	18.31	6.59	0.36	4251	17.52	6.31	0.36	4470	16.85	6.07	0.36	4676	16.20	5.83	0.36	4891	15.29	5.50	0.36	5209	14.03	5.05	0.36	5532	12.98	4.67	0.36	5742
23	18	16.44	10.52	0.64	4187	15.73	10.07	0.64	4402	15.12	9.68	0.64	4605	14.54	9.31	0.64	4817	13.72	8.78	0.64	5130	12.59	8.06	0.64	5448	11.65	7.46	0.64	5655
23	20	17.28	8.98	0.52	4219	16.53	8.60	0.52	4437	15.90	8.27	0.52	4641	15.29	7.95	0.52	4855	14.42	7.50	0.52	5170	13.24	6.88	0.52	5491	12.24	6.37	0.52	5699
23	22	18.31	7.33	0.40	4251	17.52	7.01	0.40	4470	16.85	6.74	0.40	4676	16.20	6.48	0.40	4891	15.29	6.11	0.40	5209	14.03	5.61	0.40	5532	12.98	5.19	0.40	5742
24	18	16.44	11.18	0.68	4187	15.73	10.70	0.68	4402	15.12	10.28	0.68	4605	14.54	9.89	0.68	4817	13.72	9.33	0.68	5130	12.59	8.56	0.68	5448	11.65	7.92	0.68	5655
24	20	17.28	9.67	0.56	4219	16.53	9.26	0.56	4437	15.90	8.90	0.56	4641	15.29	8.56	0.56	4855	14.42	8.08	0.56	5170	13.24	7.41	0.56	5491	12.24	6.86	0.56	5699
24	22	18.31	8.06	0.44	4251	17.52	7.71	0.44	4470	16.85	7.41	0.44	4676	16.20	7.13	0.44	4891	15.29	6.73	0.44	5209	14.03	6.17	0.44	5532	12.98	5.71	0.44	5742
24	24	19.41	6.21	0.32	4284	18.58	5.94	0.32	4505	17.86	5.72	0.32	4712	17.17	5.50	0.32	4929	16.20	5.18	0.32	5249	14.87	4.76	0.32	5574	13.76	4.40	0.32	5786
25	18	16.44	11.84	0.72	4187	15.73	11.33	0.72	4402	15.12	10.89	0.72	4605	14.54	10.47	0.72	4817	13.72	9.88	0.72	5130	12.59	9.07	0.72	5448	11.65	8.39	0.72	5655
25	20	17.28	10.37	0.60	4219	16.53	9.92	0.60	4437	15.90	9.54	0.60	4641	15.29	9.17	0.60	4855	14.42	8.65	0.60	5170	13.24	7.94	0.60	5491	12.24	7.35	0.60	5699
25	22	18.31	8.79	0.48	4251	17.52	8.41	0.48	4470	16.85	8.09	0.48	4676	16.20	7.78	0.48	4891	15.29	7.34	0.48	5209	14.03	6.74	0.48	5532	12.98	6.23	0.48	5742
25	24	19.41	6.99	0.36	4284	18.58	6.69	0.36	4505	17.86	6.43	0.36	4712	17.17	6.18	0.36	4929	16.20	5.83	0.36	5249	14.87	5.35	0.36	5574	13.76	4.95	0.36	5786
26	18	16.44	12.49	0.76	4187	15.73	11.95	0.76	4402	15.12	11.49	0.76	4605	14.54	11.05	0.76	4817	13.72	10.43	0.76	5130	12.59	9.57	0.76	5448	11.65	8.85	0.76	5655
26	20	17.28	11.06	0.64	4219	16.53	10.58	0.64	4437	15.90	10.17	0.64	4641	15.29	9.78	0.64	4855	14.42	9.23	0.64	5170	13.24	8.47	0.64	5491	12.24	7.84	0.64	5699
26	22	18.31	9.52	0.52	4251	17.52	9.11	0.52	4470	16.85	8.76	0.52	4676	16.20	8.43	0.52	4891	15.29	7.95	0.52	5209	14.03	7.30	0.52	5532	12.98	6.75	0.52	5742
26	24	19.41	7.76	0.40	4284	18.58	7.43	0.40	4505	17.86	7.14	0.40	4712	17.17	6.87	0.40	4929	16.20	6.48	0.40	5249	14.87	5.95	0.40	5574	13.76	5.50	0.40	5786
26	26	20.38	5.71	0.28	4317	19.50	5.46	0.28	4539	18.75	5.25	0.28	4748	18.03	5.05	0.28	4966	17.01	4.76	0.28	5289	15.62	4.37	0.28	5617	14.45	4.04	0.28	5830
27	18	16.44	13.15	0.80	4187	15.73	12.58	0.80	4402	15.12	12.10	0.80	4605	14.54	11.63	0.80	4817	13.72	10.98	0.80	5130	12.59	10.08	0.80	5448	11.65	9.32	0.80	5655
27	19	16.77	12.41	0.74	4203	16.05	11.88	0.74	4420	15.43	11.42	0.74	4623	14.84	10.98	0.74	4836	14.00	10.36	0.74	5150	12.85	9.51	0.74	5469	11.89	8.80	0.74	5677
27	20	17.28	11.75	0.68	4219	16.53	11.24	0.68	4437	15.90	10.81	0.68	4641	15.29	10.39	0.68	4855	14.42	9.81	0.68	5170	13.24	9.00	0.68	5491	12.24	8.33	0.68	5699
27	22	18.31	10.26	0.56	4251	17.52	9.81	0.56	4470	16.85	9.44	0.56	4676	16.20	9.07	0.56	4891	15.29	8.56	0.56	5209	14.03	7.86	0.56	5532	12.98	7.27	0.56	5742
27	24	19.41	8.54	0.44	4284	18.58	8.17	0.44	4505	17.86	7.86	0.44	4712	17.17	7.56	0.44	4929	16.20	7.13	0.44	5249	14.87	6.54	0.44	5574	13.76	6.05	0.44	5786
27	26	20.38	6.52	0.32	4317	19.50	6.24	0.32	4539	18.75	6.00	0.32	4748	18.03	5.77	0.32	4966	17.01	5.44	0.32	5289	15.62	5.00	0.32	5617	14.45	4.62	0.32	5830
28	18	16.44	13.81	0.84	4187	15.73	13.21	0.84	4402	15.12	12.70	0.84	4605	14.54	12.22	0.84	4817	13.72	11.52	0.84	5130	12.59	10.58	0.84	5448	11.65	9.79	0.84	5655
28	20	17.28	12.44	0.72	4219	16.53	11.90	0.72	4437	15.90	11.45	0.72	4641	15.29	11.01	0.72	4855	14.42	10.38	0.72	5170	13.24	9.53	0.72	5491	12.24	8.82	0.72	5699
28	22	18.31	10.99	0.60	4251	17.52	10.51	0.60	4470	16.85	10.11	0.60	4676	16.20	9.72	0.60	4891	15.29	9.17	0.60	5209	14.03	8.42	0.60	5532	12.98	7.79	0.60	5742
28	24	19.41	9.32	0.48	4284	18.58	8.92	0.48	4505	17.86	8.57	0.48	4712	17.17	8.24	0.48	4929	16.20	7.78	0.48	5249	14.87	7.14	0.48	5574	13.76	6.60	0.48	5786
28	26	20.38	7.34	0.36	4317	19.50	7.02	0.36	4539	18.75	6.75	0.36	4748	18.03	6.49	0.36	4966	17.01	6.12	0.36	5289	15.62	5.62	0.36	5617	14.45	5.20	0.36	5830
29	18	16.44	14.14	0.86	4187	15.73	13.53	0.86	4402	15.12	13.01	0.86	4605	14.54	12.51	0.86	4817	13.72	11.80	0.86	5130	12.59	10.83	0.86	5448	11.65	10.02	0.86	5655

5. CAPACITIES AND SELECTION DATA

PERFORMANCE DATA (Cooling Operation at Rated Frequency)																															
RPFC-6.0UFE1NH+RAS-6.0UFESNH1																															
CAPACITY:14.00 kW SHF: 0.74 INPUT: 5150 W																															
INDOOR DB(°C)		INDOOR WB(°C)		OUTDOOR DB (°C)																											
				21				25				27				30				35				40				46			
				Q	SHC	SHF	INPUT	Q	SHC	SHF	INPUT	Q	SHC	SHF	INPUT	Q	SHC	SHF	INPUT	Q	SHC	SHF	INPUT	Q	SHC	SHF	INPUT	Q	SHC	SHF	INPUT
29	20	17.28	13.13	0.76	4219	16.53	12.56	0.76	4437	15.90	12.08	0.76	4641	15.29	11.62	0.76	4855	14.42	10.96	0.76	5170	13.24	10.06	0.76	5491	12.24	9.31	0.76	5699		
29	22	18.31	11.72	0.64	4251	17.52	11.22	0.64	4470	16.85	10.78	0.64	4676	16.20	10.37	0.64	4891	15.29	9.78	0.64	5209	14.03	8.98	0.64	5532	12.98	8.31	0.64	5742		
29	24	19.41	10.09	0.52	4284	18.58	9.66	0.52	4505	17.86	9.29	0.52	4712	17.17	8.93	0.52	4929	16.20	8.43	0.52	5249	14.87	7.73	0.52	5574	13.76	7.15	0.52	5786		
29	26	20.38	8.15	0.40	4317	19.50	7.80	0.40	4539	18.75	7.50	0.40	4748	18.03	7.21	0.40	4966	17.01	6.80	0.40	5289	15.62	6.25	0.40	5617	14.45	5.78	0.40	5830		
30	18	16.44	14.14	0.86	4187	15.73	13.53	0.86	4402	15.12	13.01	0.86	4605	14.54	12.51	0.86	4817	13.72	11.80	0.86	5130	12.59	10.83	0.86	5448	11.65	10.02	0.86	5655		
30	20	17.28	13.82	0.80	4219	16.53	13.23	0.80	4437	15.90	12.72	0.80	4641	15.29	12.23	0.80	4855	14.42	11.54	0.80	5170	13.24	10.59	0.80	5491	12.24	9.80	0.80	5699		
30	22	18.31	12.45	0.68	4251	17.52	11.92	0.68	4470	16.85	11.46	0.68	4676	16.20	11.02	0.68	4891	15.29	10.39	0.68	5209	14.03	9.54	0.68	5532	12.98	8.83	0.68	5742		
30	24	19.41	10.87	0.56	4284	18.58	10.40	0.56	4505	17.86	10.00	0.56	4712	17.17	9.62	0.56	4929	16.20	9.07	0.56	5249	14.87	8.33	0.56	5574	13.76	7.70	0.56	5786		
30	26	20.38	8.97	0.44	4317	19.50	8.58	0.44	4539	18.75	8.25	0.44	4748	18.03	7.93	0.44	4966	17.01	7.49	0.44	5289	15.62	6.87	0.44	5617	14.45	6.36	0.44	5830		
31	18	16.44	14.14	0.86	4187	15.73	13.53	0.86	4402	15.12	13.01	0.86	4605	14.54	12.51	0.86	4817	13.72	11.80	0.86	5130	12.59	10.83	0.86	5448	11.65	10.02	0.86	5655		
31	20	17.28	14.51	0.84	4219	16.53	13.89	0.84	4437	15.90	13.35	0.84	4641	15.29	12.84	0.84	4855	14.42	12.11	0.84	5170	13.24	11.12	0.84	5491	12.24	10.29	0.84	5699		
31	22	18.31	13.19	0.72	4251	17.52	12.62	0.72	4470	16.85	12.13	0.72	4676	16.20	11.67	0.72	4891	15.29	11.01	0.72	5209	14.03	10.10	0.72	5532	12.98	9.35	0.72	5742		
31	24	19.41	11.65	0.60	4284	18.58	11.15	0.60	4505	17.86	10.72	0.60	4712	17.17	10.30	0.60	4929	16.20	9.72	0.60	5249	14.87	8.92	0.60	5574	13.76	8.25	0.60	5786		
31	26	20.38	9.78	0.48	4317	19.50	9.36	0.48	4539	18.75	9.00	0.48	4748	18.03	8.66	0.48	4966	17.01	8.17	0.48	5289	15.62	7.50	0.48	5617	14.45	6.93	0.48	5830		
32	18	16.44	14.14	0.86	4187	15.73	13.53	0.86	4402	15.12	13.01	0.86	4605	14.54	12.51	0.86	4817	13.72	11.80	0.86	5130	12.59	10.83	0.86	5448	11.65	10.02	0.86	5655		
32	20	17.28	14.86	0.86	4219	16.53	14.22	0.86	4437	15.90	13.67	0.86	4641	15.29	13.15	0.86	4855	14.42	12.40	0.86	5170	13.24	11.38	0.86	5491	12.24	10.53	0.86	5699		
32	22	18.31	13.92	0.76	4251	17.52	13.32	0.76	4470	16.85	12.81	0.76	4676	16.20	12.31	0.76	4891	15.29	11.62	0.76	5209	14.03	10.66	0.76	5532	12.98	9.86	0.76	5742		
32	24	19.41	12.42	0.64	4284	18.58	11.89	0.64	4505	17.86	11.43	0.64	4712	17.17	10.99	0.64	4929	16.20	10.37	0.64	5249	14.87	9.52	0.64	5574	13.76	8.81	0.64	5786		
32	26	20.38	10.60	0.52	4317	19.50	10.14	0.52	4539	18.75	9.75	0.52	4748	18.03	9.38	0.52	4966	17.01	8.85	0.52	5289	15.62	8.12	0.52	5617	14.45	7.51	0.52	5830		

Remarks:
 Q: Total Cooling Capacity (Gross) **kW**
 SHC: Sensible Heat Capacity (Gross)
 SHF: Sensible Capacity ratio
 INPUT: Power Input (including the compressor, evap. fan motor & cond. fan motor) **W**
 DB: Dry Bulb Temperature
 WB: Wet Bulb Temperature

5. CAPACITIES AND SELECTION DATA

PERFORMANCE DATA (Heating Operation at Rated Frequency)														
RPFC-3.0UFE1NH+RAS-3.0UFESNH1														
CAPACITY: 7.35 kW INPUT: 2070 W														
INDOOR DB(°C)	OUTDOOR WB (°C)													
	-10		-5		0		5		10		15		20	
	Q	INPUT	Q	INPUT	Q	INPUT	Q	INPUT	Q	INPUT	Q	INPUT	Q	INPUT
15	4.64	1346	5.58	1614	6.55	1821	7.49	1967	8.45	2091	9.33	2152	10.29	2195
21	4.41	1449	5.28	1717	6.25	1905	7.12	2049	8.09	2152	8.96	2216	9.88	2298
26	3.97	1553	4.92	1821	5.81	2009	6.75	2152	7.72	2256	8.59	2319	9.56	2381

PERFORMANCE DATA (Heating Operation at Rated Frequency)														
RPFC-3.5UFE1NH+RAS-3.5UFESNH1														
CAPACITY: 8.70 kW INPUT: 2300 W														
INDOOR DB(°C)	OUTDOOR WB (°C)													
	-10		-5		0		5		10		15		20	
	Q	INPUT	Q	INPUT	Q	INPUT	Q	INPUT	Q	INPUT	Q	INPUT	Q	INPUT
15	5.49	1495	6.61	1793	7.75	2023	8.86	2185	10.01	2324	11.04	2391	12.18	2439
21	5.22	1610	6.25	1908	7.40	2117	8.43	2276	9.57	2391	10.60	2462	11.69	2554
26	4.70	1725	5.82	2023	6.88	2232	7.99	2391	9.14	2506	10.17	2577	11.31	2645

PERFORMANCE DATA (Heating Operation at Rated Frequency)														
RPFC-4.0UFE1NH+RAS-4.0UFESNH1														
CAPACITY: 10.50 kW INPUT: 3650 W														
INDOOR DB(°C)	OUTDOOR WB (°C)													
	-10		-5		0		5		10		15		20	
	Q	INPUT	Q	INPUT	Q	INPUT	Q	INPUT	Q	INPUT	Q	INPUT	Q	INPUT
15	6.63	2373	7.97	2845	9.35	3210	10.70	3468	12.08	3687	13.32	3795	14.70	3870
21	6.30	2555	7.55	3028	8.93	3360	10.17	3613	11.55	3795	12.80	3907	14.11	4052
26	5.68	2738	7.02	3210	8.30	3542	9.65	3795	11.03	3978	12.27	4090	13.65	4198

Remarks:
 Q: Total Heating Capacity (Gross) kW
 INPUT: Power Input (including the compressor, evap. fan motor & cond. fan motor) W
 DB: Dry Bulb Temperature
 WB: Wet Bulb Temperature

5. CAPACITIES AND SELECTION DATA

PERFORMANCE DATA (Heating Operation at Rated Frequency)														
RPFC-5.0UFE1NH+RAS-5.0UFESMH1														
CAPACITY:13.50 kW INPUT: 4170 W														
INDOOR DB(°C)	OUTDOOR WB (°C)													
	-10		-5		0		5		10		15		20	
	Q	INPUT	Q	INPUT	Q	INPUT	Q	INPUT	Q	INPUT	Q	INPUT	Q	INPUT
15	8.52	2711	10.25	3250	12.02	3667	13.75	3962	15.53	4213	17.13	4336	18.90	4421
21	8.10	2919	9.70	3459	11.48	3839	13.08	4127	14.85	4336	16.45	4464	18.14	4630
26	7.30	3128	9.03	3667	10.67	4047	12.40	4336	14.18	4544	15.78	4673	17.55	4796

PERFORMANCE DATA (Heating Operation at Rated Frequency)														
RPFC-6.0UFE1NH+RAS-6.0UFESMH1														
CAPACITY:16.59 kW INPUT: 4850 W														
INDOOR DB(°C)	OUTDOOR WB (°C)													
	-10		-5		0		5		10		15		20	
	Q	INPUT	Q	INPUT	Q	INPUT	Q	INPUT	Q	INPUT	Q	INPUT	Q	INPUT
15	10.47	3153	12.60	3781	14.78	4266	16.90	4608	19.08	4900	21.05	5043	23.23	5142
21	9.95	3395	11.92	4023	14.10	4464	16.07	4800	18.25	5043	20.22	5192	22.29	5385
26	8.97	3638	11.09	4266	13.12	4707	15.24	5043	17.42	5285	19.39	5434	21.57	5578

PERFORMANCE DATA (Heating Operation at Rated Frequency)														
RPFC-6.5UFE1NH+RAS-6.5UFESMH1														
CAPACITY:18.00kW INPUT: 6830 W														
INDOOR DB(°C)	OUTDOOR WB (°C)													
	-10		-5		0		5		10		15		20	
	Q	INPUT	Q	INPUT	Q	INPUT	Q	INPUT	Q	INPUT	Q	INPUT	Q	INPUT
15	11.36	4440	13.67	5324	16.03	6007	18.34	6489	20.70	6900	22.84	7101	25.20	7242
21	10.80	4781	12.94	5665	15.30	6287	17.44	6760	19.80	7101	21.94	7312	24.19	7583
26	9.73	5123	12.04	6007	14.23	6629	16.54	7101	18.90	7443	21.04	7653	23.40	7855

Remarks:
 Q: Total Heating Capacity (Gross) kW
 INPUT: Power Input (including the compressor, evap. fan motor & cond. fan motor) W
 DB: Dry Bulb Temperature
 WB: Wet Bulb Temperature

5. CAPACITIES AND SELECTION DATA

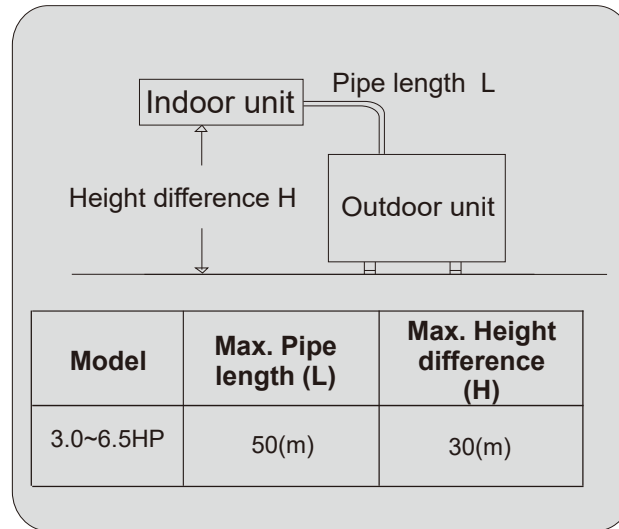
PERFORMANCE DATA (Heating Operation at Rated Frequency)														
RPFC-5.0UFE1NH+RAS-5.0UFESNH1														
CAPACITY: 13.30 kW INPUT: 4040 W														
INDOOR DB(°C)	OUTDOOR WB (°C)													
	-10		-5		0		5		10		15		20	
	Q	INPUT	Q	INPUT	Q	INPUT	Q	INPUT	Q	INPUT	Q	INPUT	Q	INPUT
15	8.40	2626	10.10	3149	11.85	3553	13.55	3838	15.30	4081	16.87	4201	18.62	4283
21	7.98	2828	9.56	3351	11.31	3719	12.88	3999	14.63	4201	16.21	4325	17.87	4485
26	7.19	3030	8.89	3553	10.52	3921	12.22	4201	13.97	4403	15.54	4527	17.29	4646

PERFORMANCE DATA (Heating Operation at Rated Frequency)														
RPFC-6.0UFE1NH+RAS-6.0UFESNH1														
CAPACITY: 16.50 kW INPUT: 5400 W														
INDOOR DB(°C)	OUTDOOR WB (°C)													
	-10		-5		0		5		10		15		20	
	Q	INPUT	Q	INPUT	Q	INPUT	Q	INPUT	Q	INPUT	Q	INPUT	Q	INPUT
15	10.42	3510	12.53	4209	14.70	4749	16.81	5130	18.98	5455	20.93	5615	23.10	5725
21	9.90	3780	11.86	4479	14.03	4971	15.98	5345	18.15	5615	20.11	5781	22.17	5995
26	8.92	4050	11.03	4749	13.05	5241	15.16	5615	17.33	5885	19.28	6051	21.45	6210

Remarks:
 Q: Total Heating Capacity (Gross) kW
 INPUT: Power Input (including the compressor, evap. fan motor & cond. fan motor) W
 DB: Dry Bulb Temperature
 WB: Wet Bulb Temperature

5. CAPACITIES AND SELECTION DATA

5.2 Piping length correction factor



The correction factor is based on the equivalent piping length in meters (EL) and the height difference between outdoor and indoor units in meters (H).

H:

Height difference between indoor unit and outdoor unit (m).

- $H > 0$: Position of outdoor unit is higher than that of the indoor unit (m).
- $H < 0$: Position of outdoor unit is lower than that of the indoor unit (m).

L:

Actual one-way piping length between indoor unit and outdoor unit (m).

EL:

Equivalent one-way piping length between indoor unit and outdoor unit (m).

Gas Diameter (mm/inch)	9.52 (3/8')	12.7 (1/2')	15.88 (5/8')	19.05 (3/4')
90° Elbow	0.15	0.2	0.25	0.35

5. CAPACITIES AND SELECTION DATA

Cooling

EL Model	5m	10m	15m	20m	25m	30m	35m	40m	45m	50m
3.0HP	1.0	0.98	0.97	0.96	0.94	0.92	0.90	0.89	0.87	0.86
3.5HP	1.0	0.94	0.92	0.90	0.88	0.84	0.82	0.80	0.77	0.73
4.0HP	1.0	0.95	0.93	0.90	0.88	0.85	0.83	0.80	0.78	0.75
5.0HP	1.0	0.95	0.92	0.88	0.87	0.85	0.83	0.80	0.78	0.75
6.0/6.5HP	1.0	0.98	0.96	0.94	0.92	0.89	0.86	0.83	0.79	0.75

Heating

EL Model	5m	10m	15m	20m	25m	30m	35m	40m	45m	50m
3.0HP	1.0	0.98	0.97	0.96	0.94	0.92	0.90	0.88	0.87	0.85
3.5HP	1.0	0.93	0.90	0.88	0.84	0.82	0.78	0.75	0.72	0.69
4.0/5.0HP	1.0	0.94	0.91	0.88	0.85	0.82	0.79	0.76	0.73	0.70
6.0/6.5HP	1.0	0.99	0.98	0.97	0.95	0.93	0.90	0.87	0.84	0.80

The correction factor of height between indoor unit and outdoor unit

Height difference	5m	10m	30m
Factor	0.01	0.02	0.025

To ensure correct unit selection, consider the farthest indoor unit.

NOTE:

1. Above data is assuming that the height difference between indoor unit and outdoor unit is 0m.
2. Be sure to minimize length of connection pipes to optimize performance. If the outdoor unit is installed higher or lower than the indoor unit, it is necessary to apply height correction factor additionally to length correction factor to calculate cooling/heating.

If outdoor unit is higher, correction should be applied to cooling capacity, if outdoor unit is lower, correction should be applied to heating capacity.

5. CAPACITIES AND SELECTION DATA

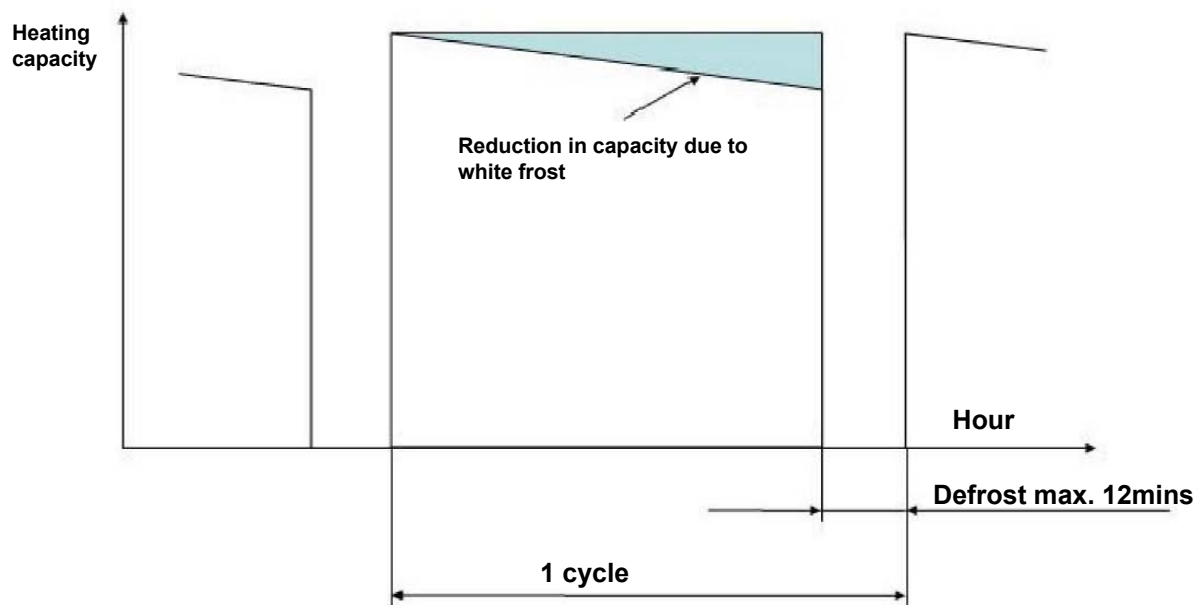
5.3 Correction factors according to defrosting operation

The heating capacity in the preceding paragraph, excludes the condition of defrosting operation period. In consideration of defrosting operation, the heating capacity is corrected by the equation below.

Corrected heating capacity = Defrost Correction factor x unit capacity

Outdoor temperature(°CDB)	-15	-10	-5	0	7	10	15
Correction factor (humidity rate 85% RH)	0.95	0.95	0.91	0.81	1.0	1.0	1.0

Correction Factor



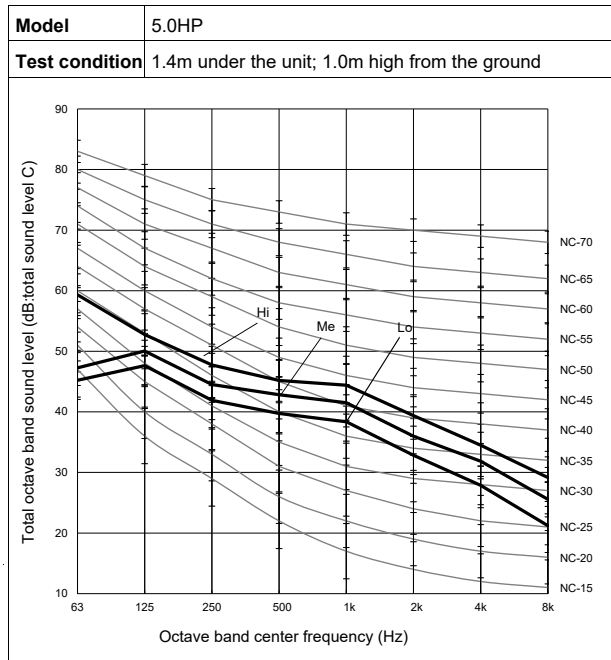
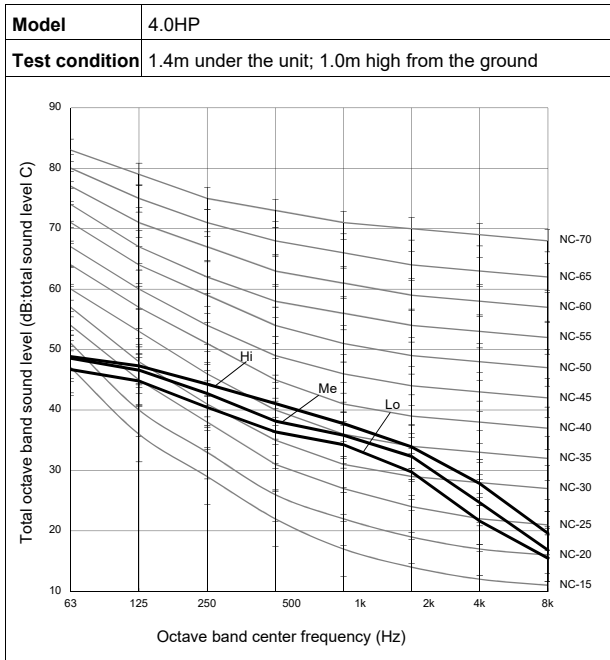
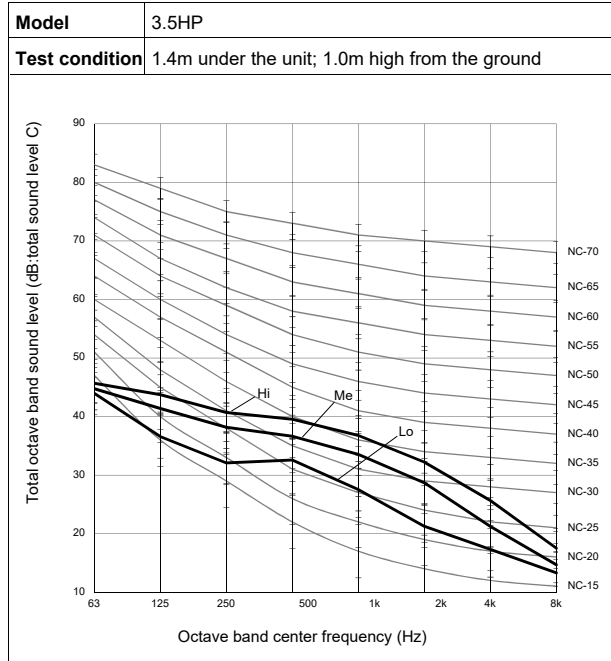
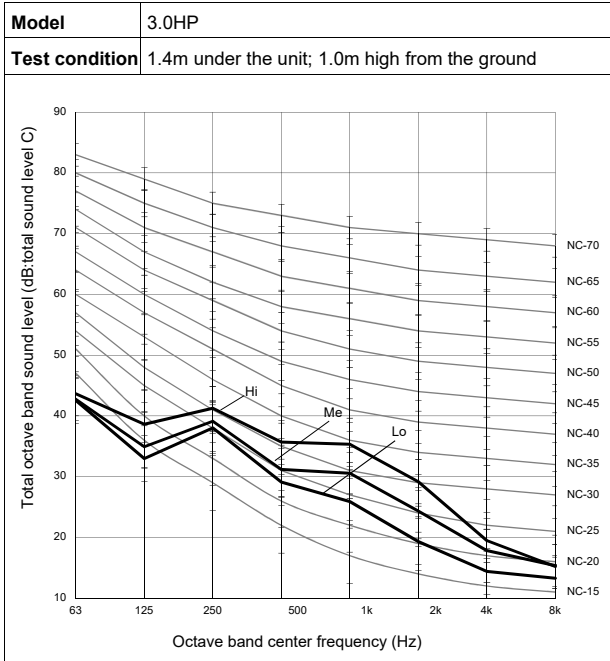
NOTE:

The correction factor is not valid for special conditions such as snowfall or operation in a transitional period.

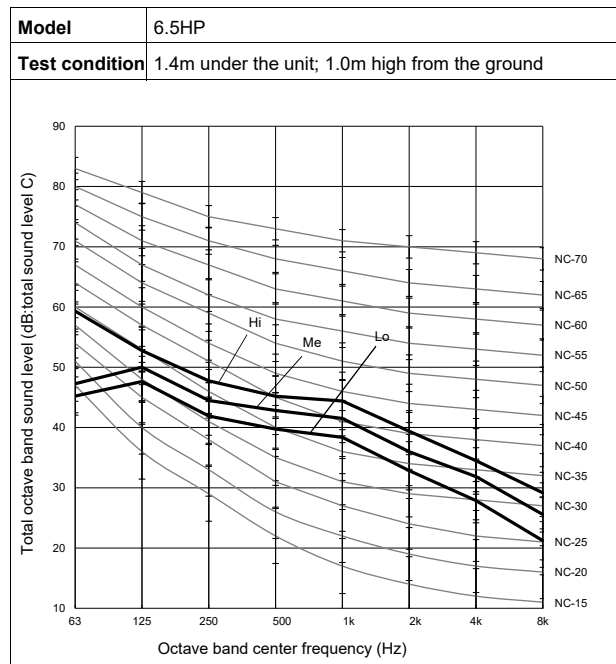
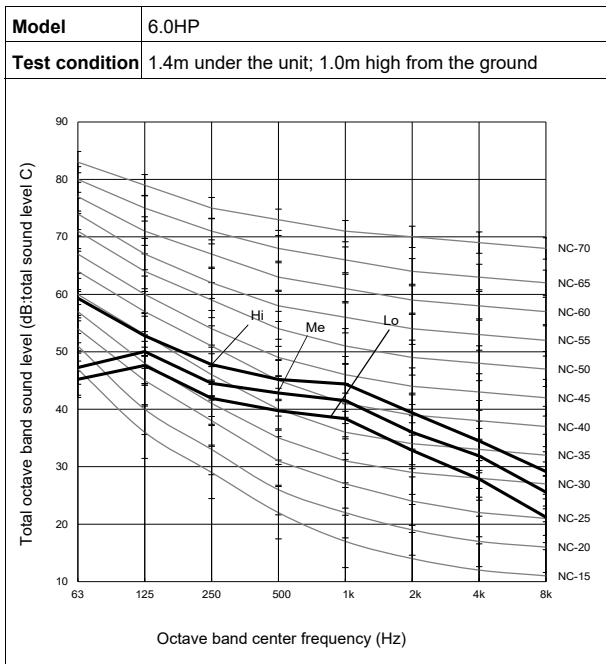
6. SOUND PRESSURE DATA

Indoor unit

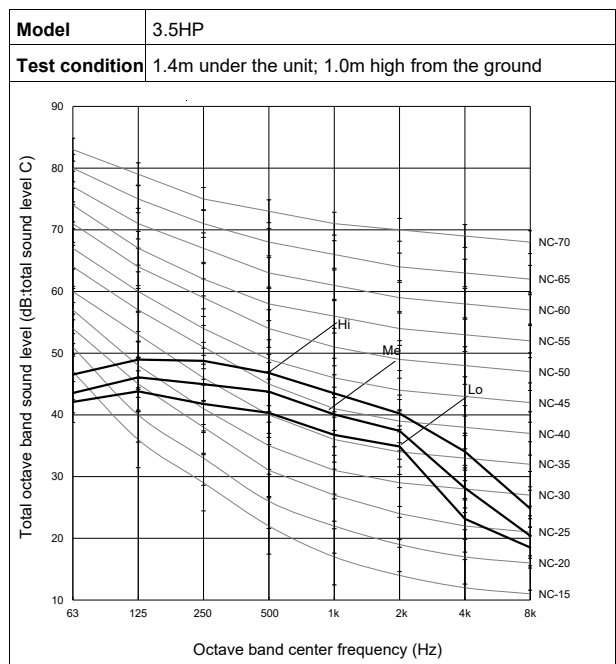
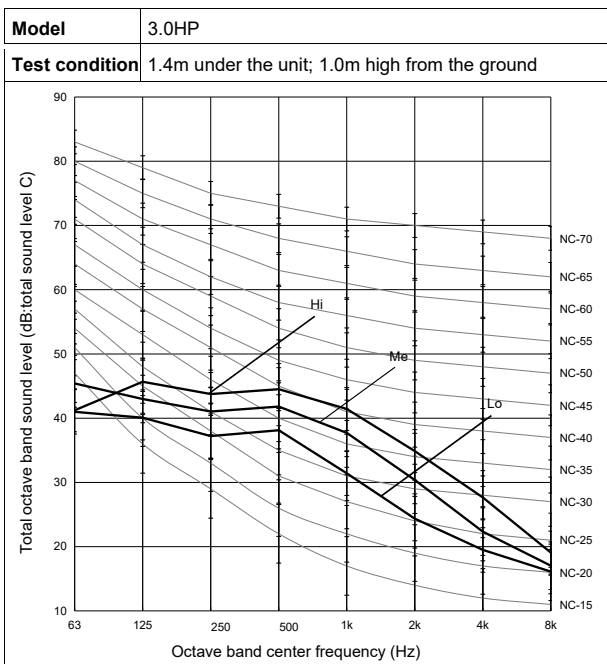
Ducted



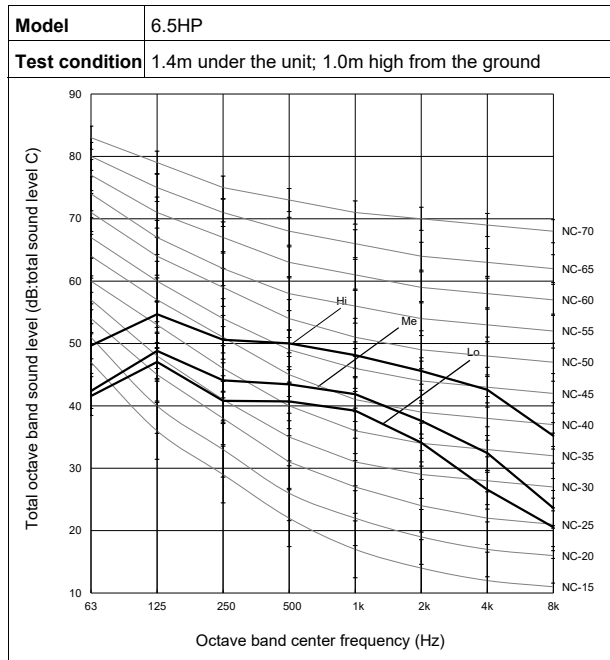
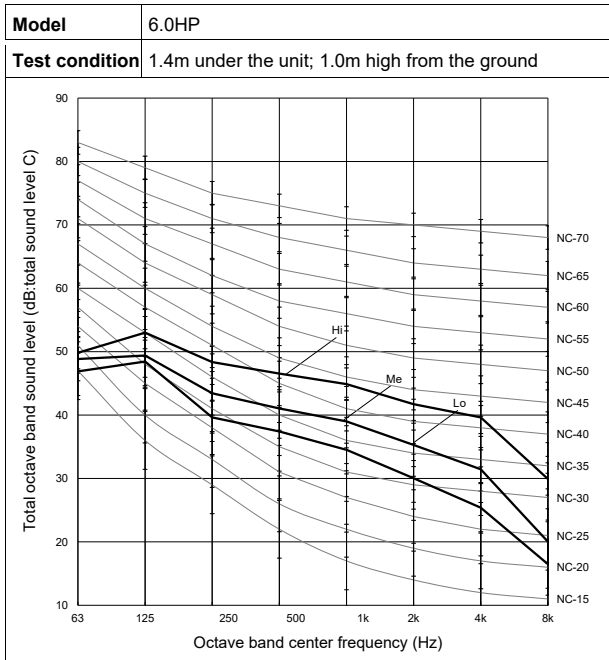
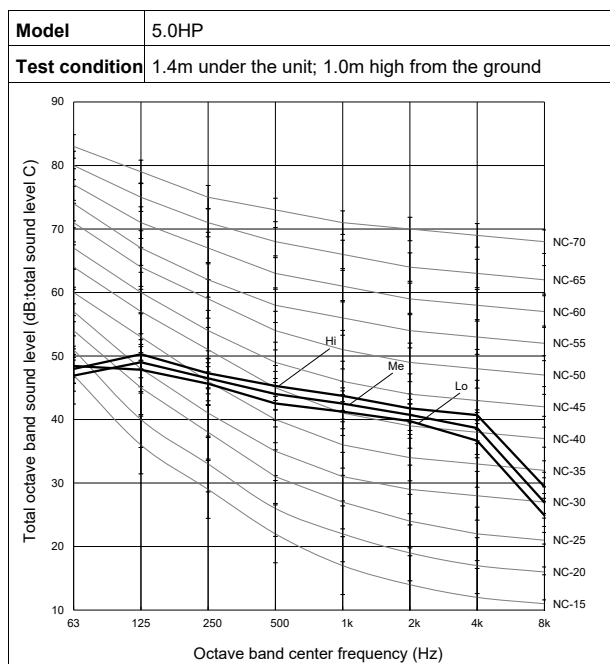
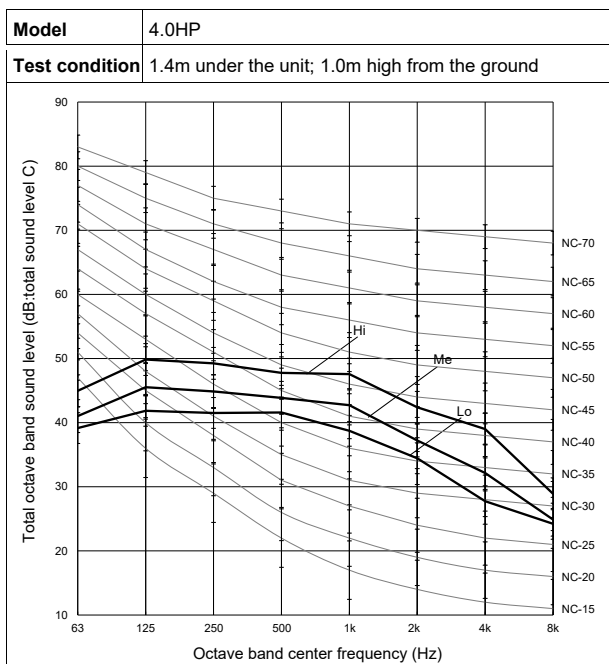
6. SOUND PRESSURE DATA



Cassette

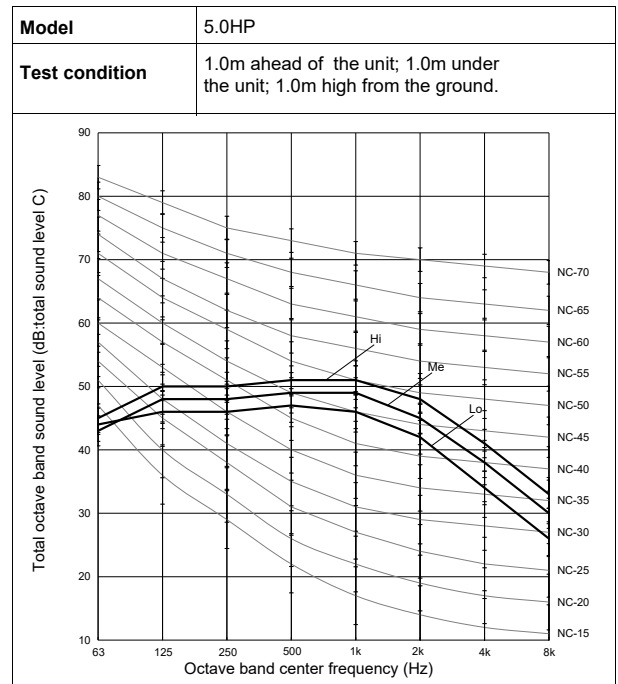
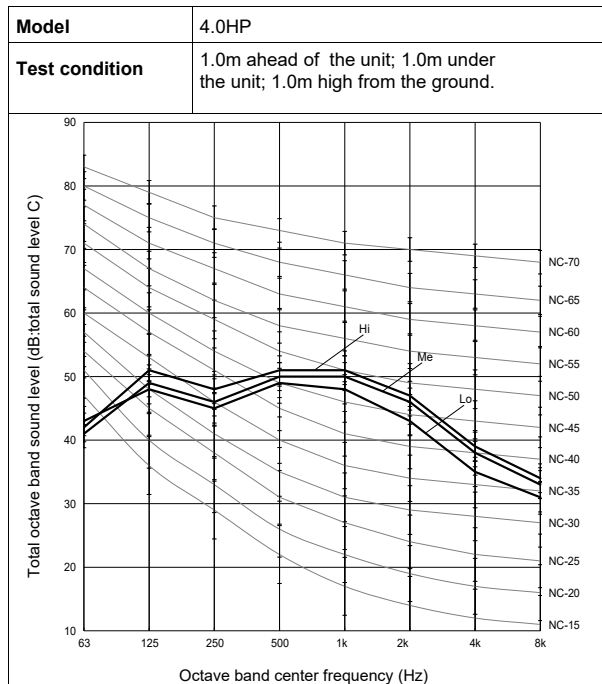
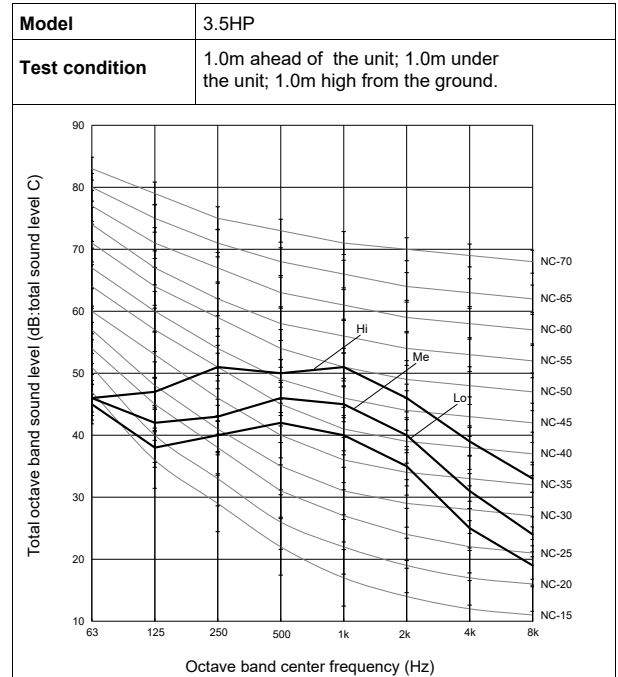
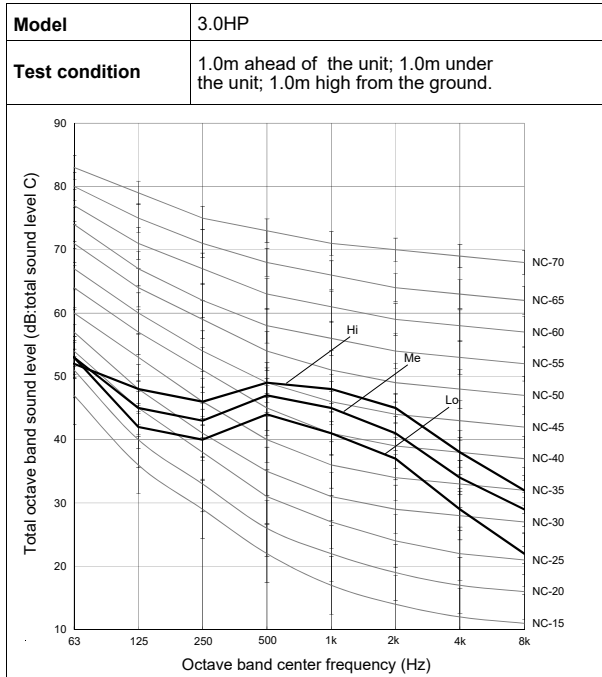


6. SOUND PRESSURE DATA

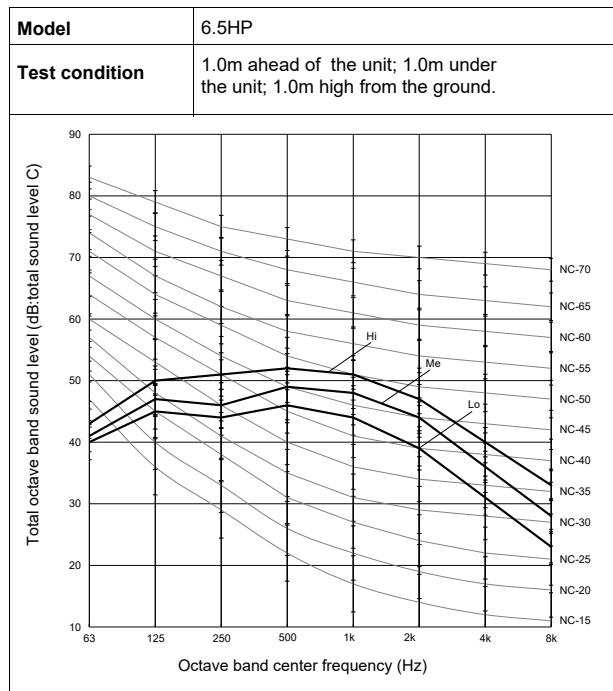
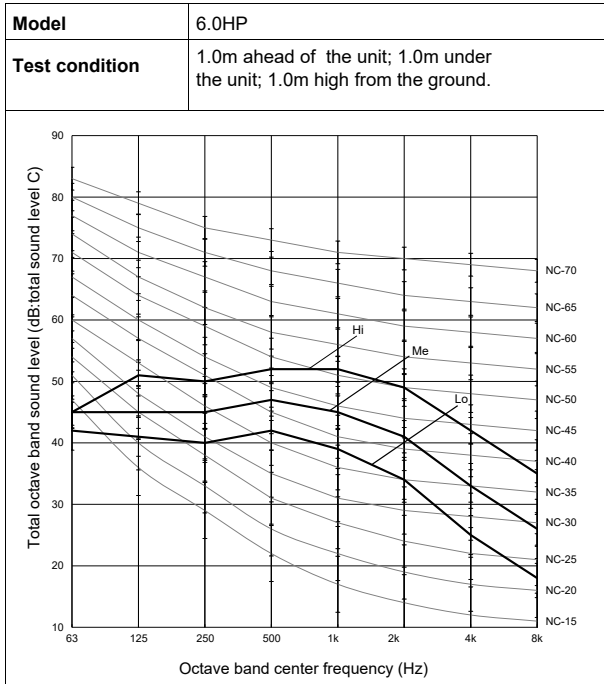


6. SOUND PRESSURE DATA

Floor ceiling

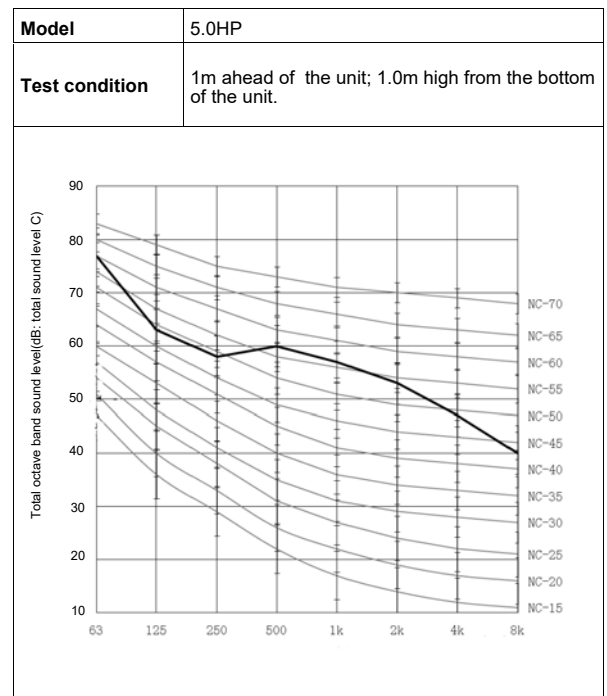
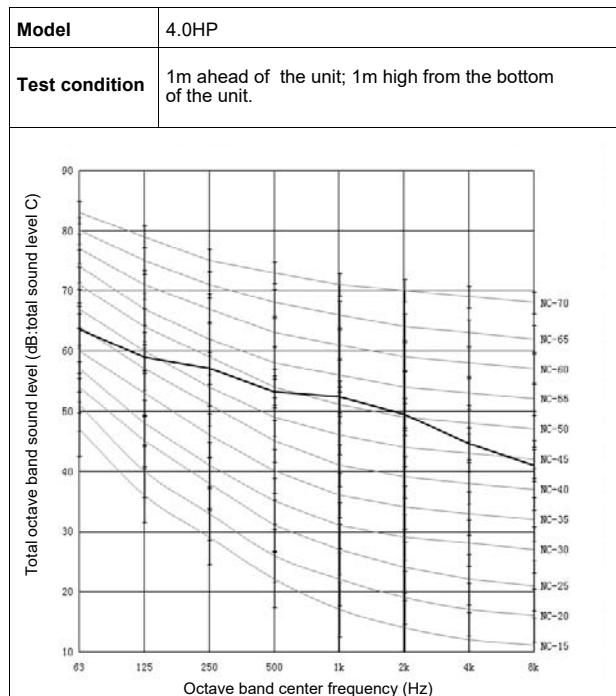
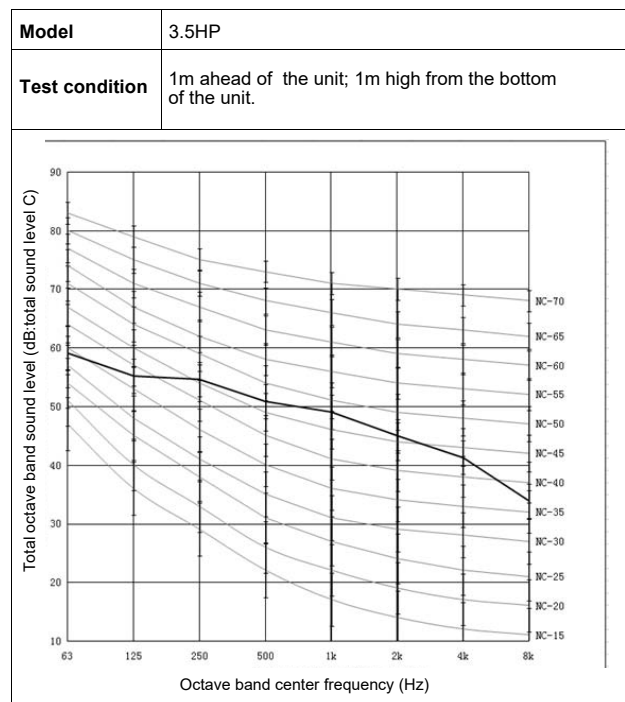
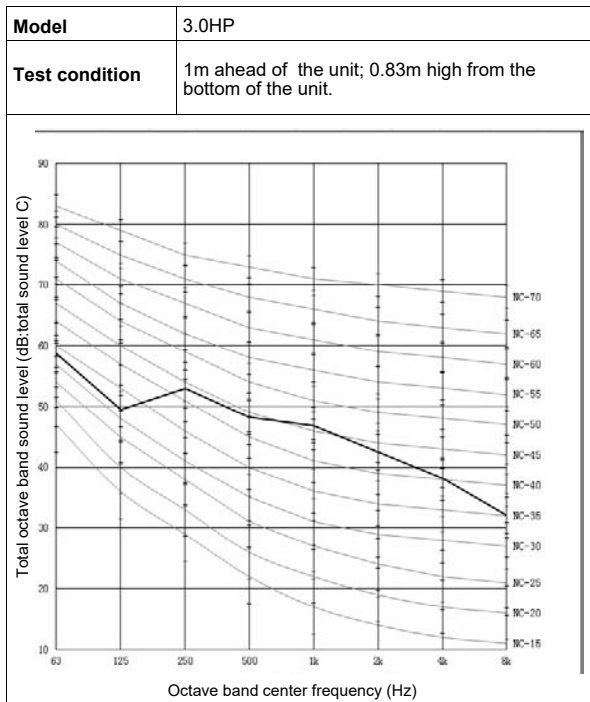


6. SOUND PRESSURE DATA

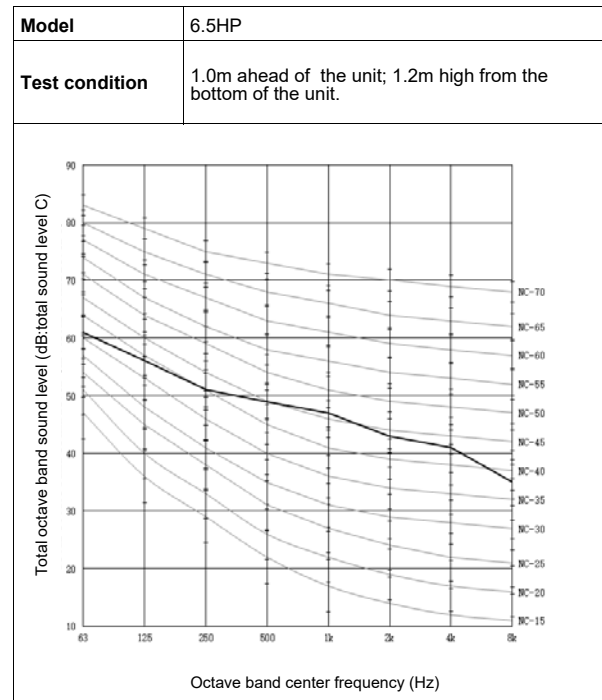
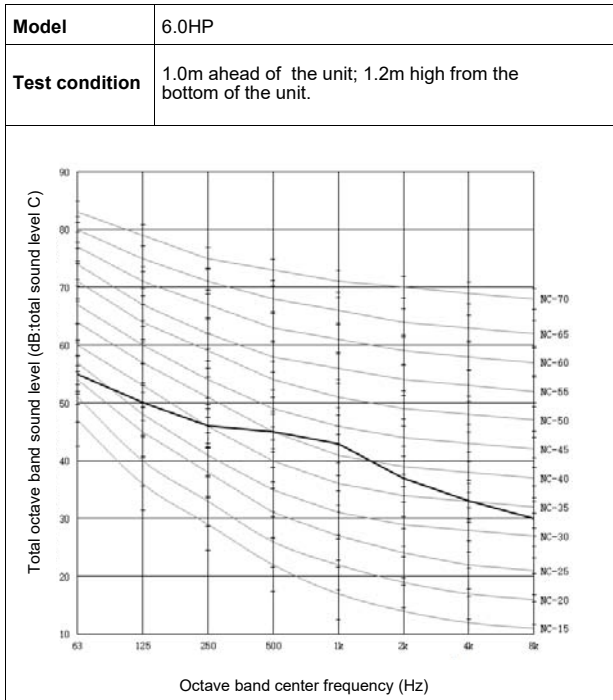


6. SOUND PRESSURE DATA

Outdoor unit



6. SOUND PRESSURE DATA

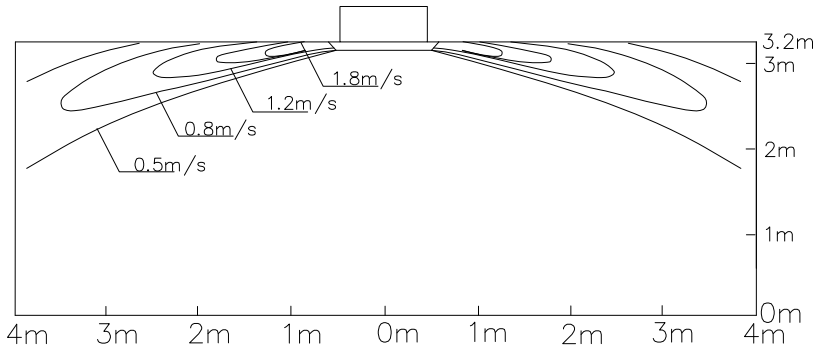


7. AIR FLOW DISTRIBUTION

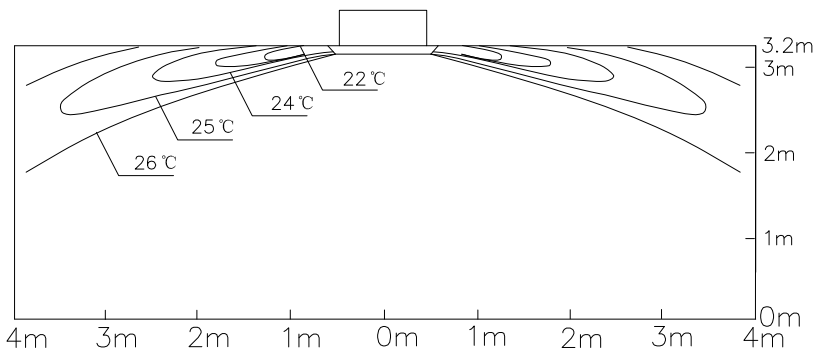
7.1 Cassette

3.0HP

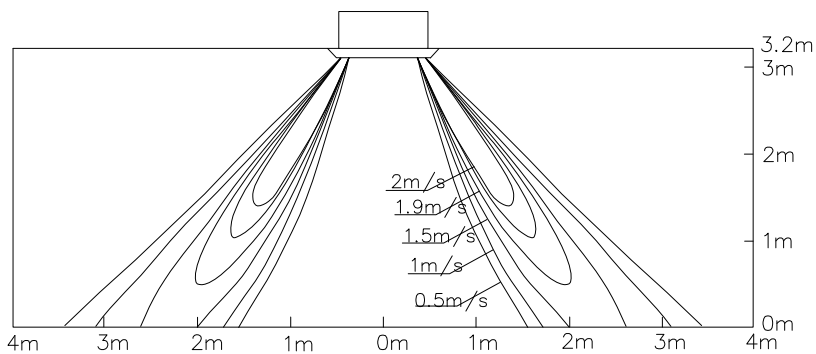
1) Cooling/Air Velocity Distribution



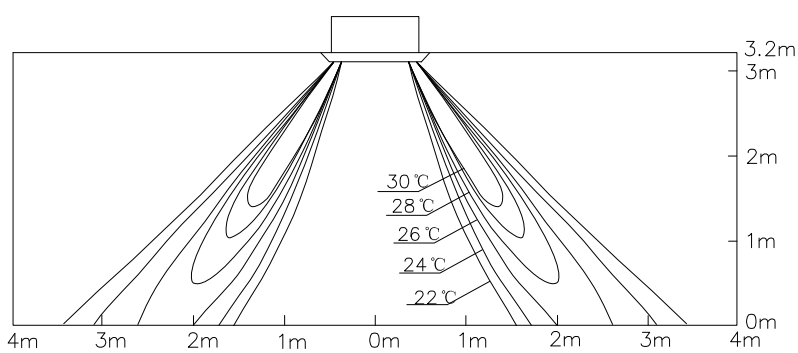
2) Cooling/Air Temperature Distribution



3) Heating/Air Velocity Distribution



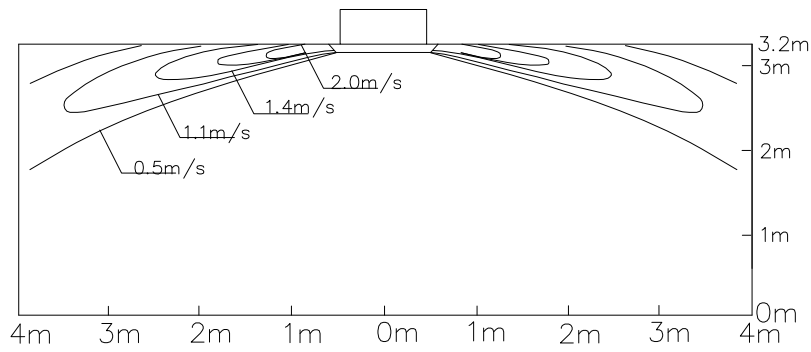
4) Heating/Air Temperature Distribution



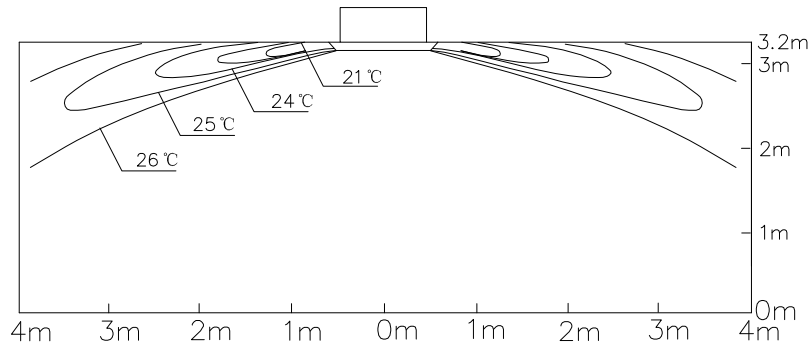
7. AIR FLOW DISTRIBUTION

3.5HP

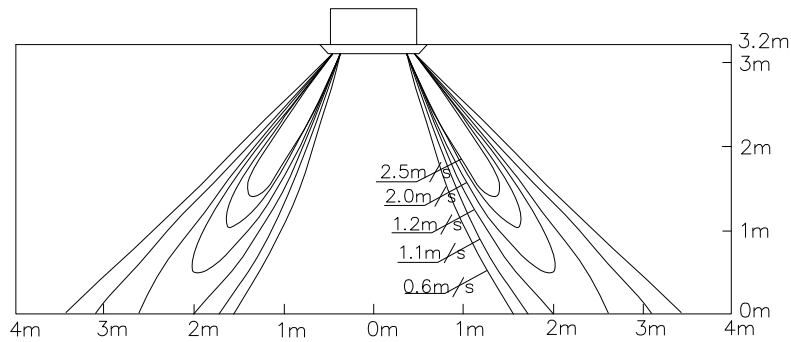
1) Cooling/Air Velocity Distribution



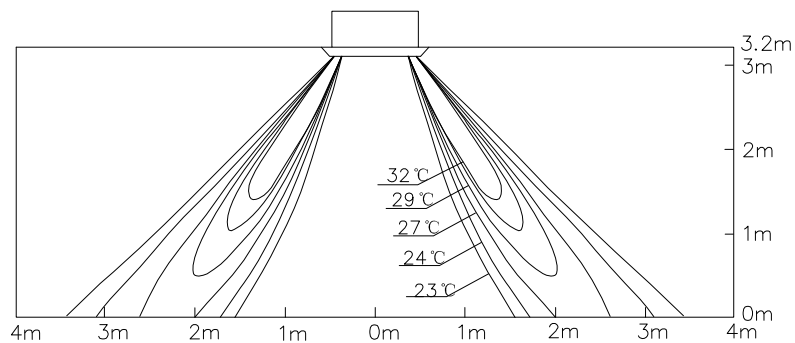
2) Cooling/Air Temperature Distribution



3) Heating/Air Velocity Distribution



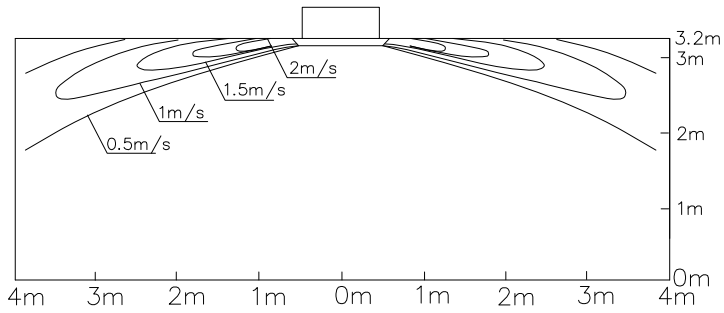
4) Heating/Air Temperature Distribution



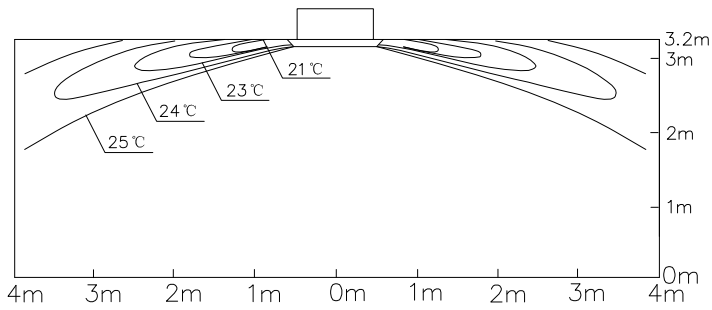
7. AIR FLOW DISTRIBUTION

4.0HP

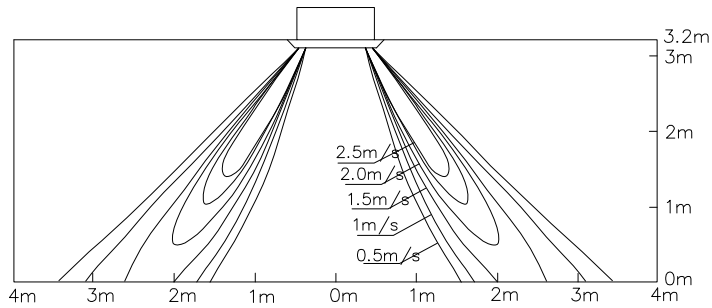
1) Cooling/Air Velocity Distribution



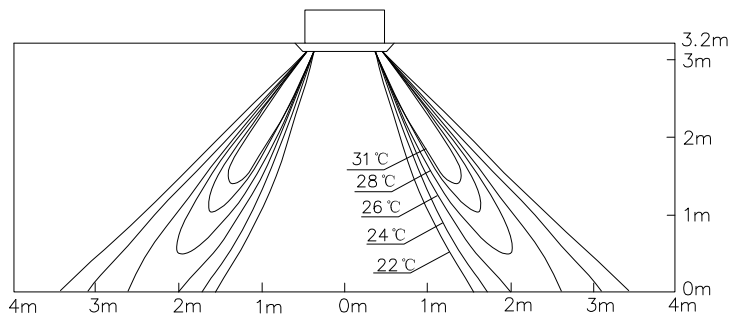
2) Cooling/Air Temperature Distribution



3) Heating/Air Velocity Distribution



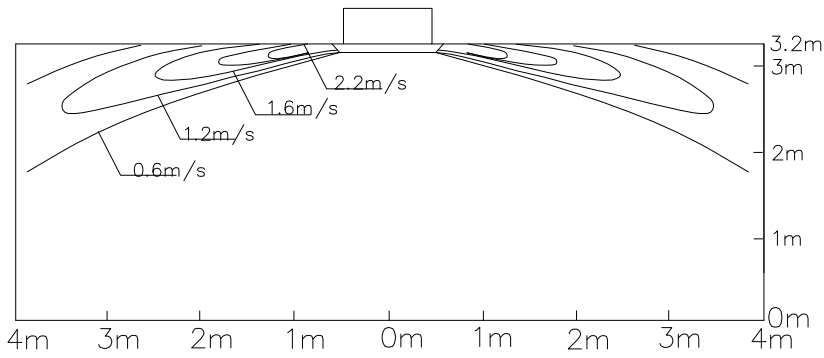
4) Heating/Air Temperature Distribution



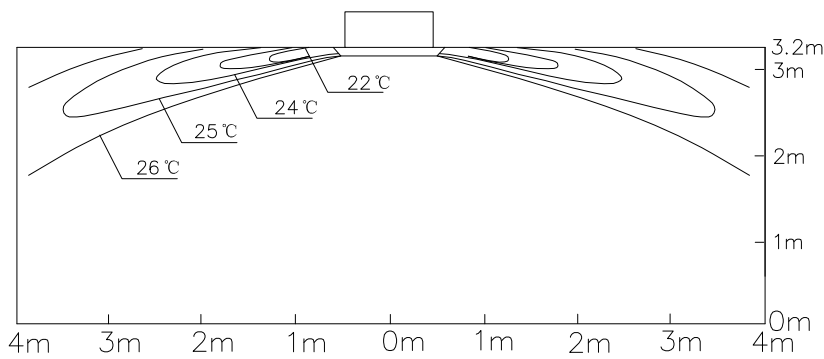
7. AIR FLOW DISTRIBUTION

5.0HP

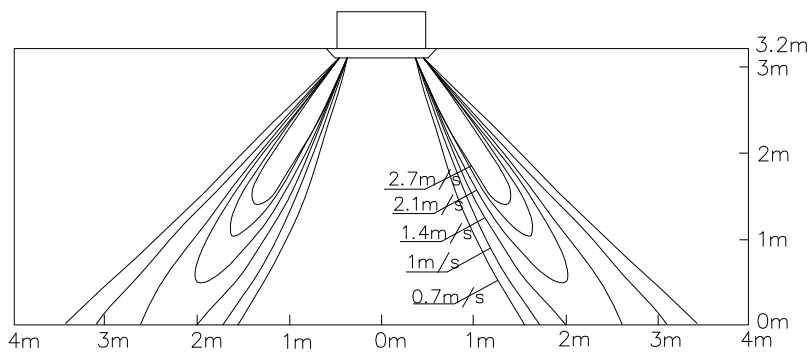
1) Cooling/Air Velocity Distribution



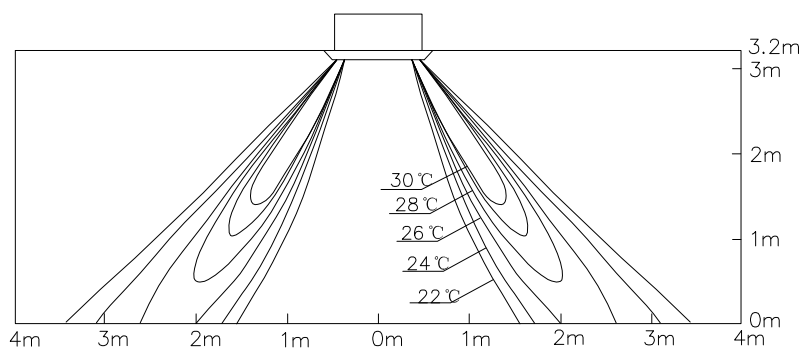
2) Cooling/Air Temperature Distribution



3) Heating/Air Velocity Distribution



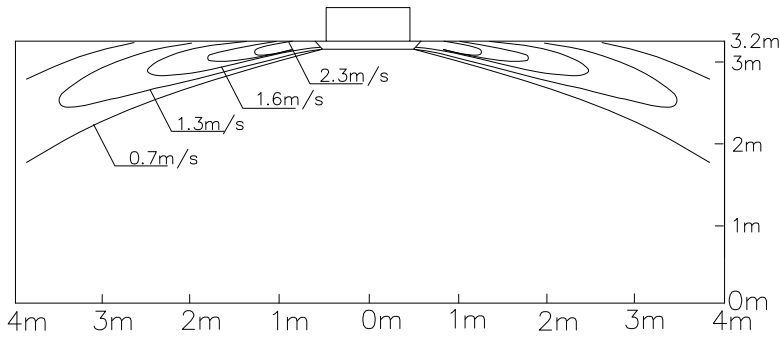
4) Heating/Air Temperature Distribution



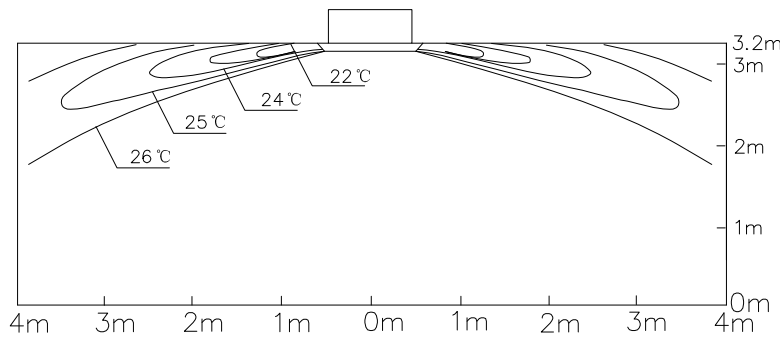
7. AIR FLOW DISTRIBUTION

6.0HP

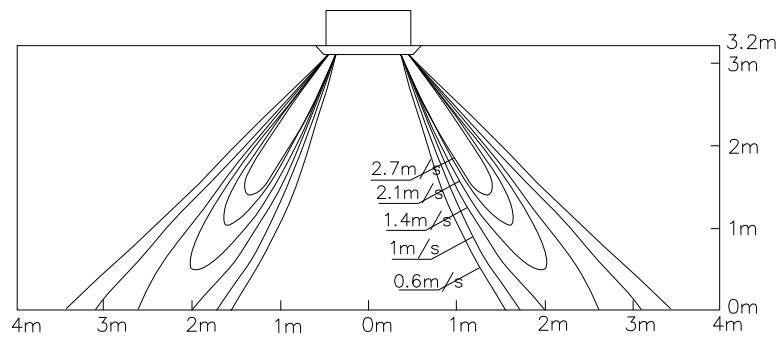
1) Cooling/Air Velocity Distribution



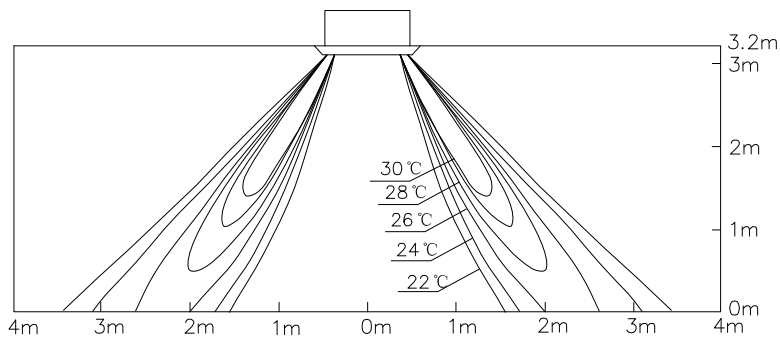
2) Cooling/Air Temperature Distribution



3) Heating/Air Velocity Distribution



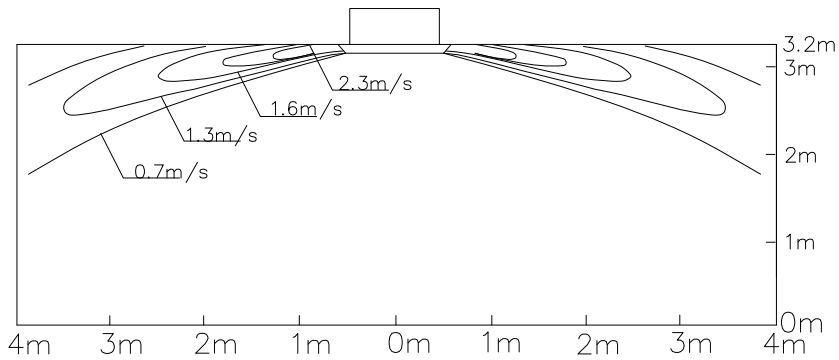
4) Heating/Air Temperature Distribution



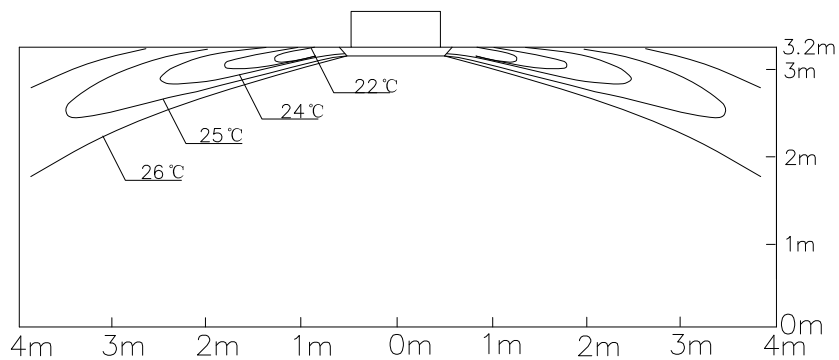
7. AIR FLOW DISTRIBUTION

6.5HP

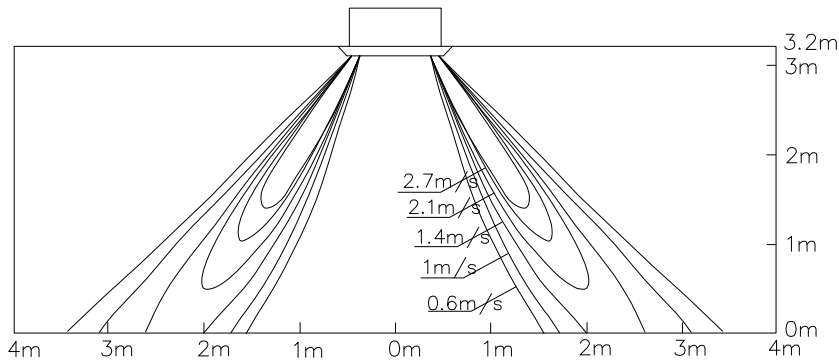
1) Cooling/Air Velocity Distribution



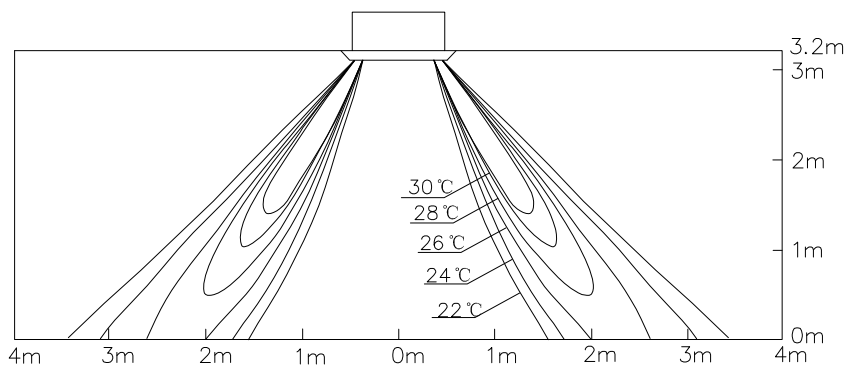
2) Cooling/Air Temperature Distribution



3) Heating/Air Velocity Distribution (Blow angle: XX)



4) Heating/Air Temperature Distribution

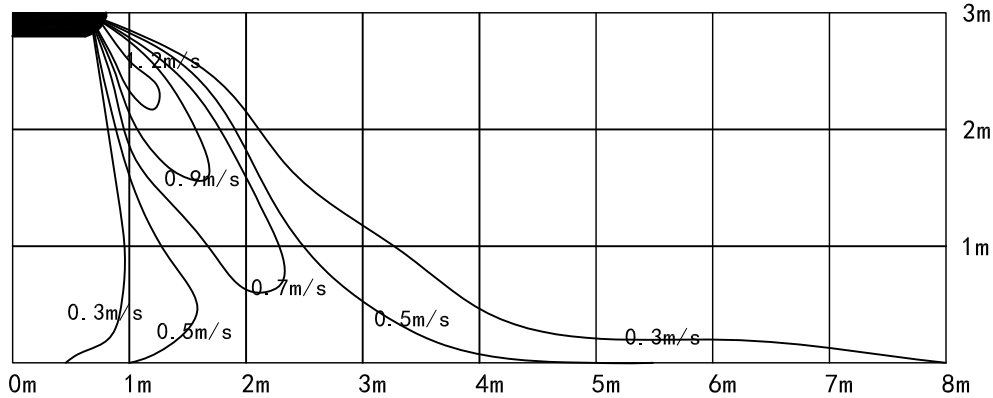


7. AIR FLOW DISTRIBUTION

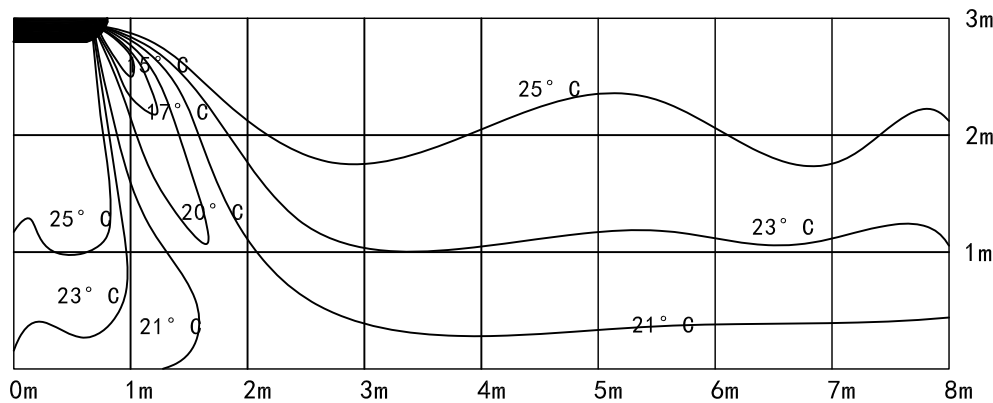
7.2 Floor ceiling

3.0HP

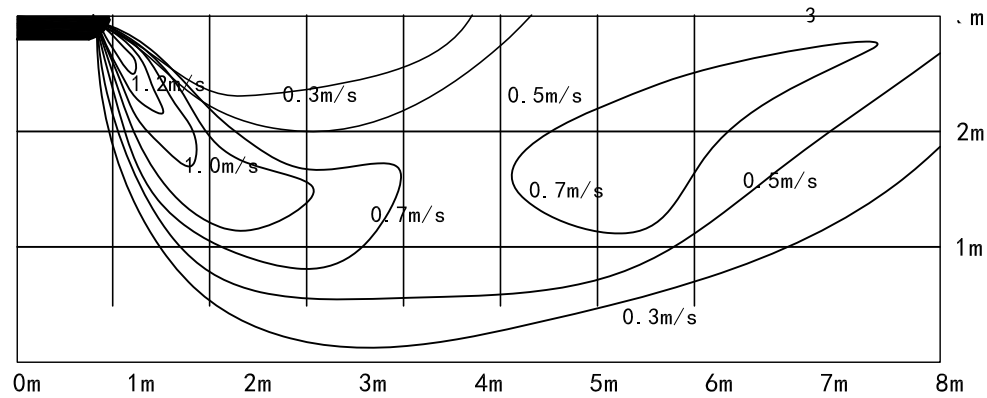
1) Ceiling installation/Cooling/Air velocity distribution



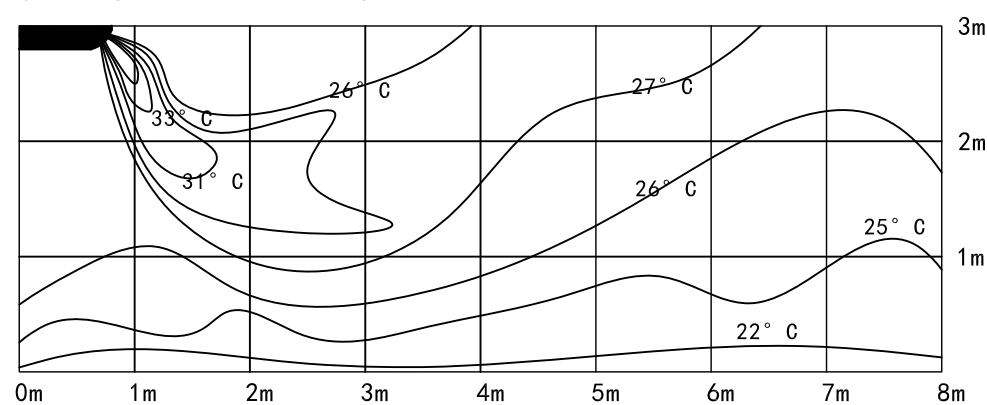
2) Ceiling installation/Cooling/Air temperature distribution



3) Ceiling installation/Heating/Air velocity distribution

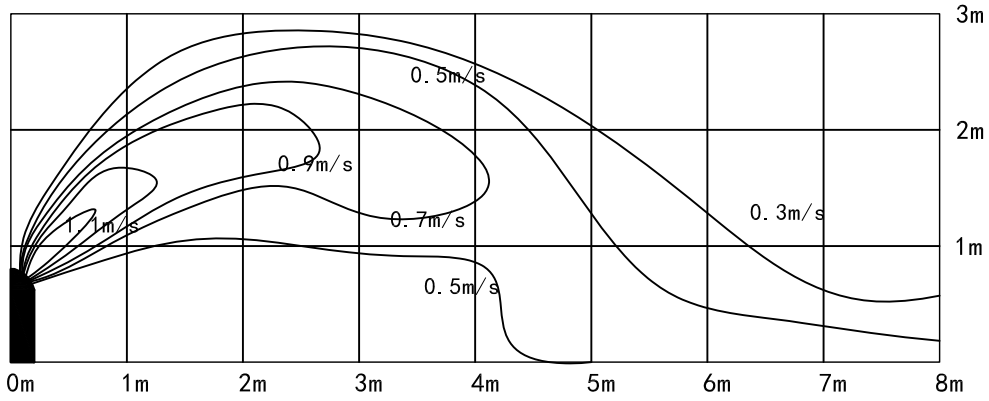


4) Ceiling installation/Heating/Air temperature distribution

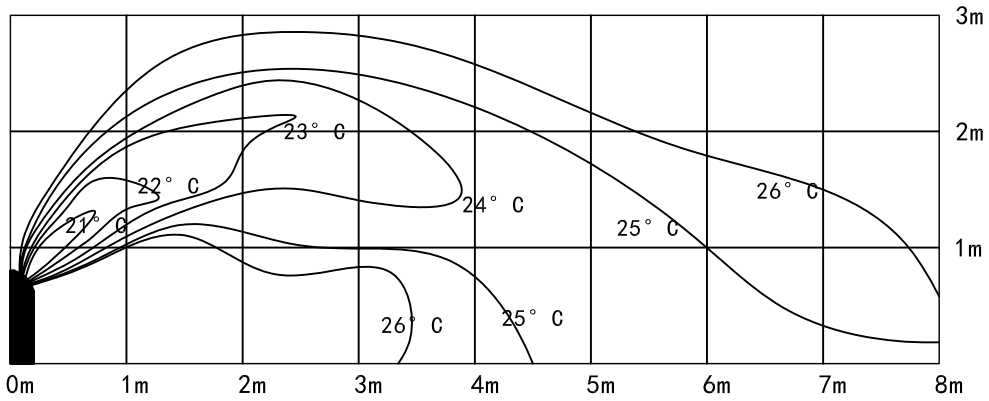


7. AIR FLOW DISTRIBUTION

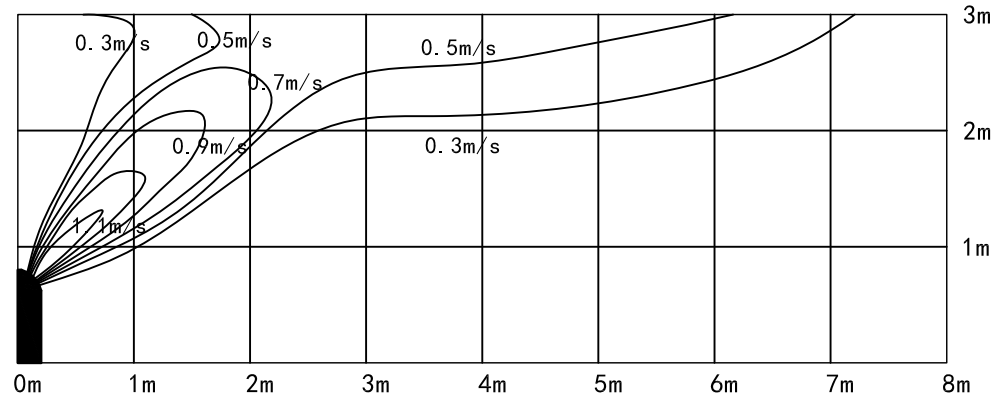
5) Floor installation/Cooling/Air velocity distribution



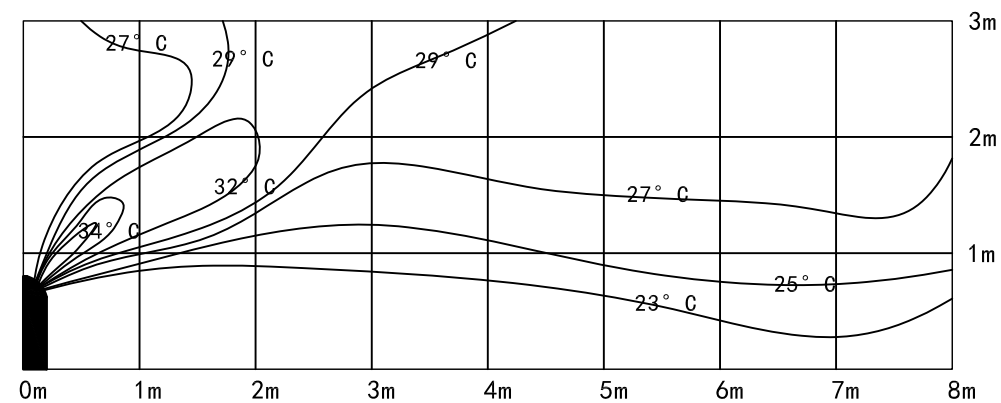
6) Floor installation/Cooling/Air temperature distribution



7) Floor installation/Heating/Air velocity distribution



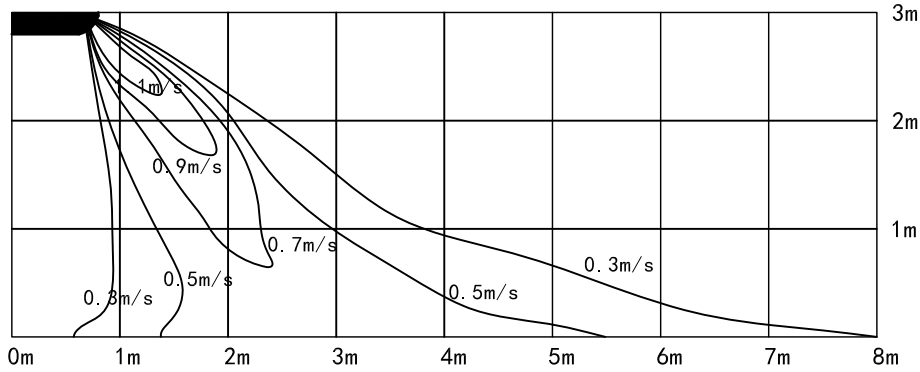
8) Floor installation/Heating/Air temperature distribution



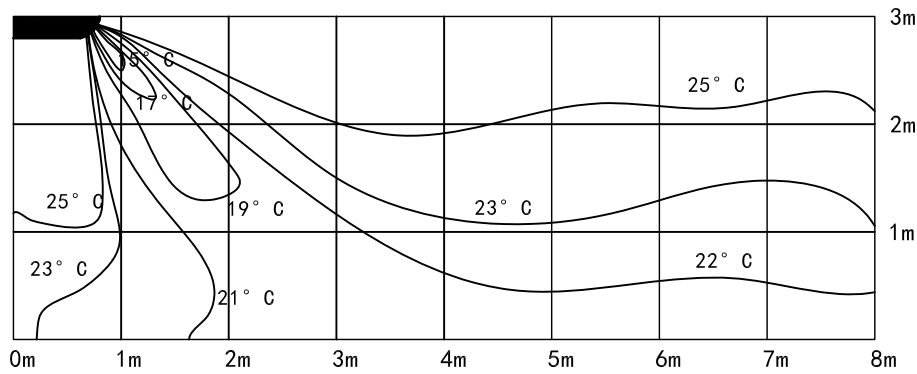
7. AIR FLOW DISTRIBUTION

3.5HP

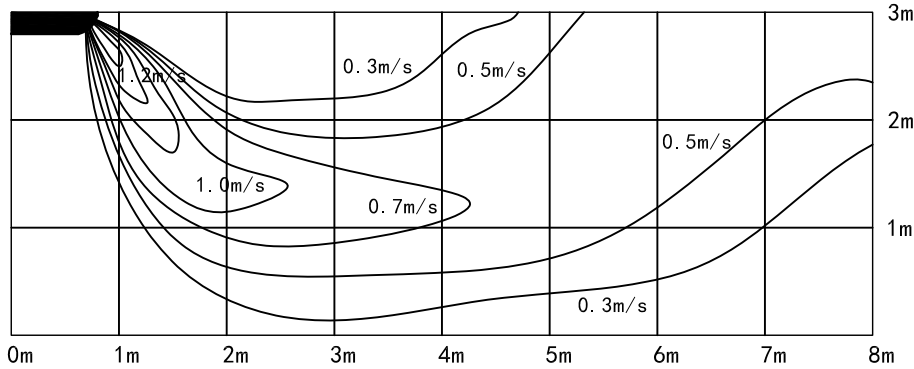
1) Ceiling installation/Cooling/Air velocity distribution



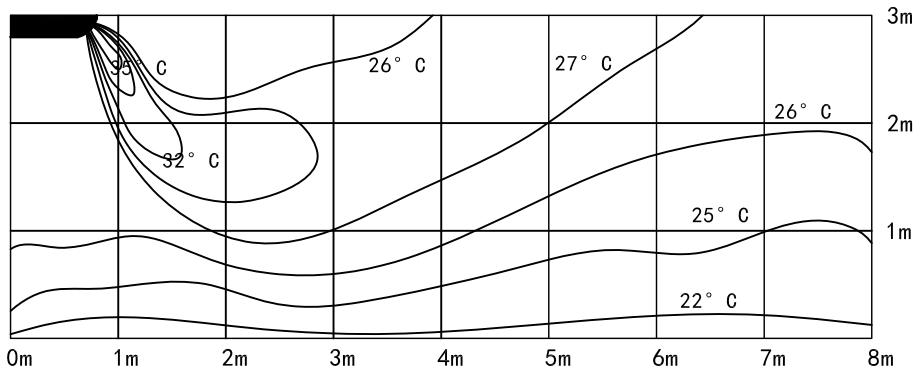
2) Ceiling installation/Cooling/Air temperature distribution



3) Ceiling installation/Heating/Air velocity distribution

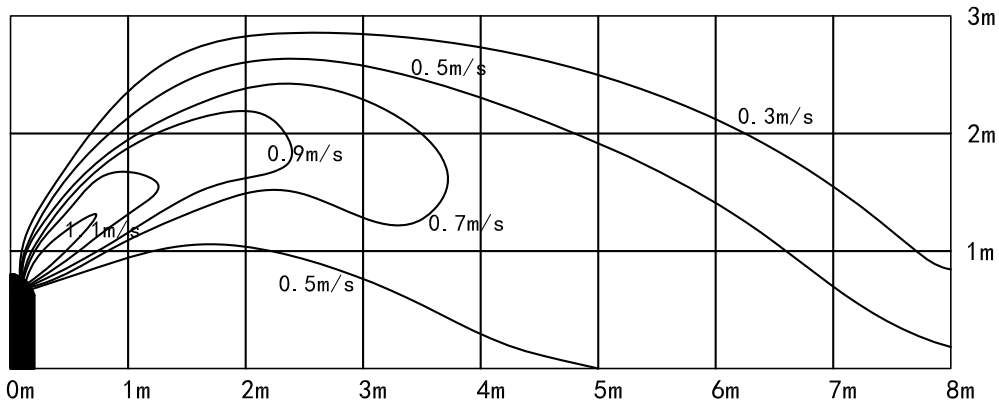


4) Ceiling installation/Heating/Air temperature distribution

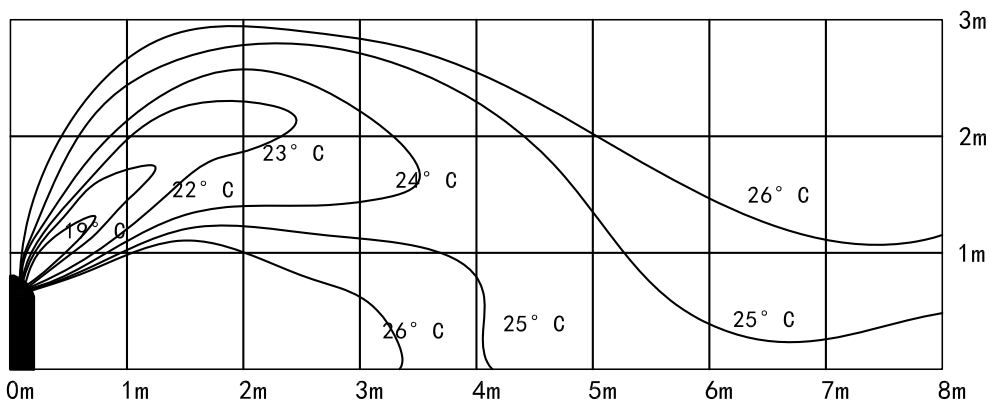


7. AIR FLOW DISTRIBUTION

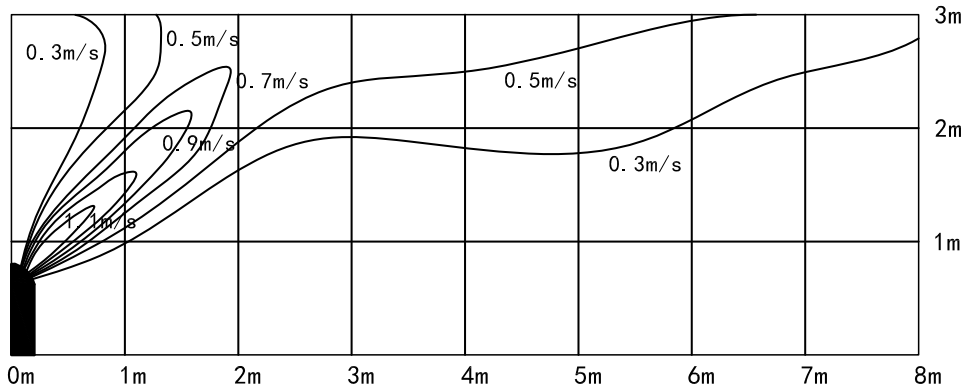
5) Floor installation/Cooling/Air velocity distribution



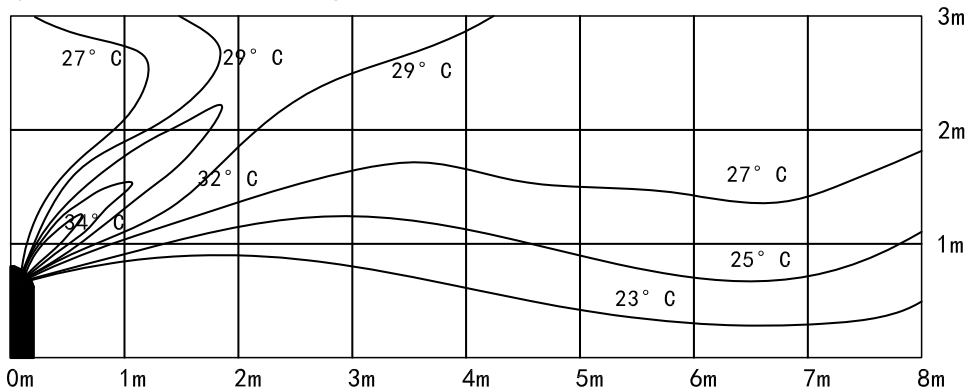
6) Floor installation/Cooling/Air temperature distribution



7) Floor installation/Heating/Air velocity distribution



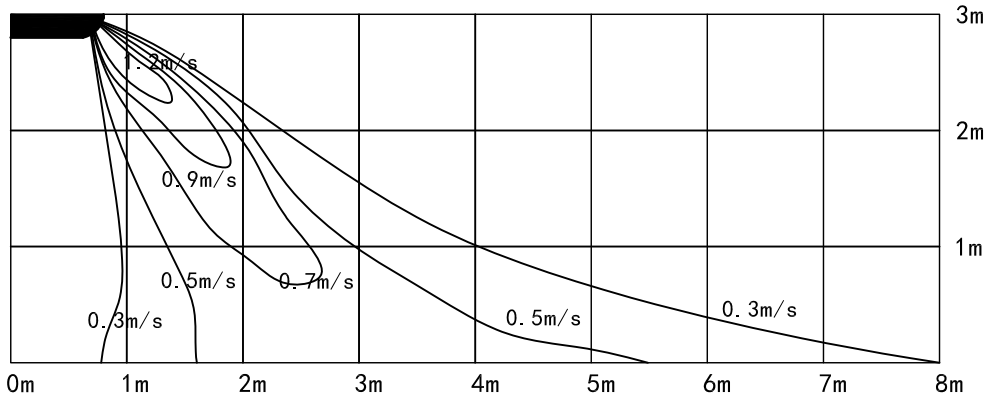
8) Floor installation/Heating/Air temperature distribution



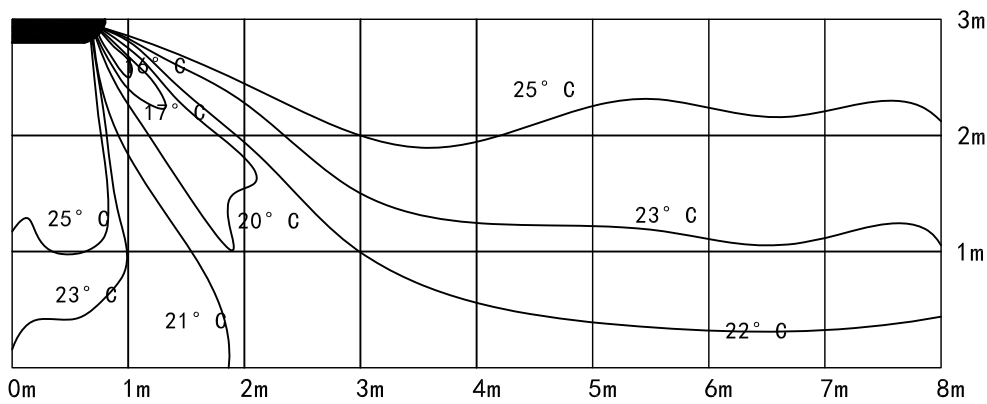
7. AIR FLOW DISTRIBUTION

4.0HP

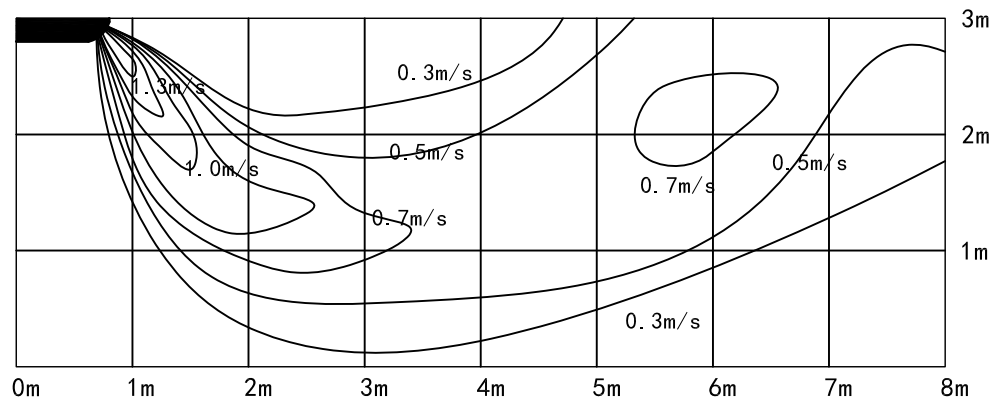
1) Ceiling installation/Cooling/Air velocity distribution



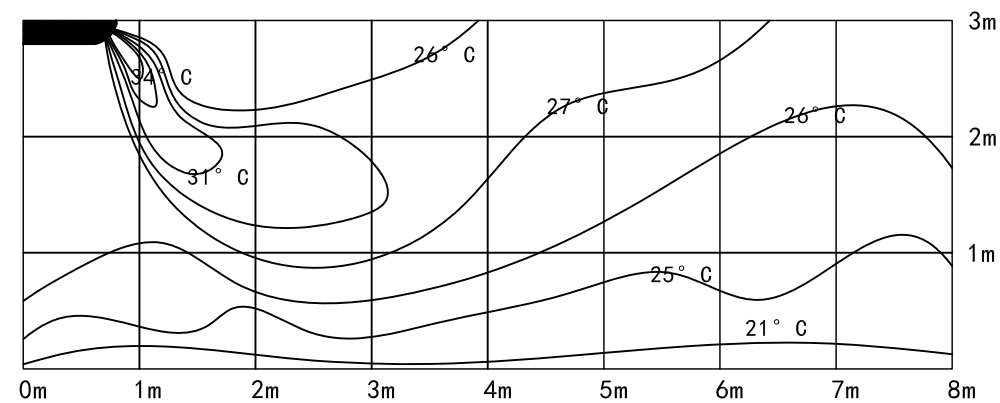
2) Ceiling installation/Cooling/Air temperature distribution



3) Ceiling installation/Heating/Air velocity distribution

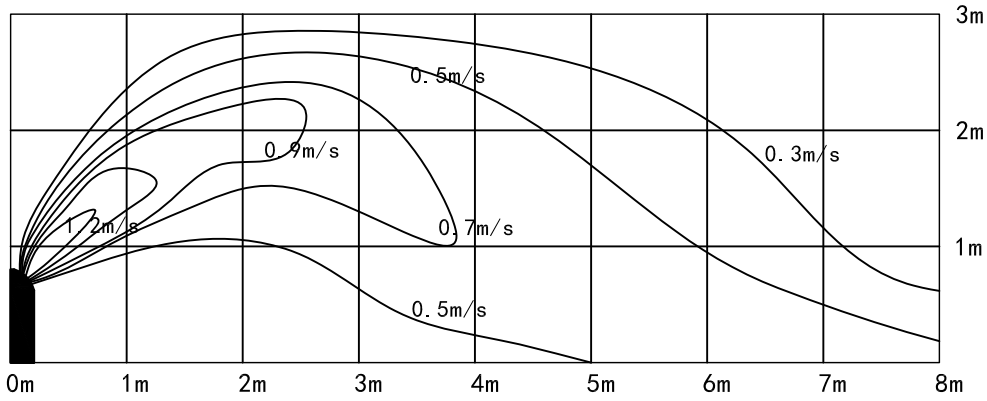


4) Ceiling install/Heating/Air temperature distribution

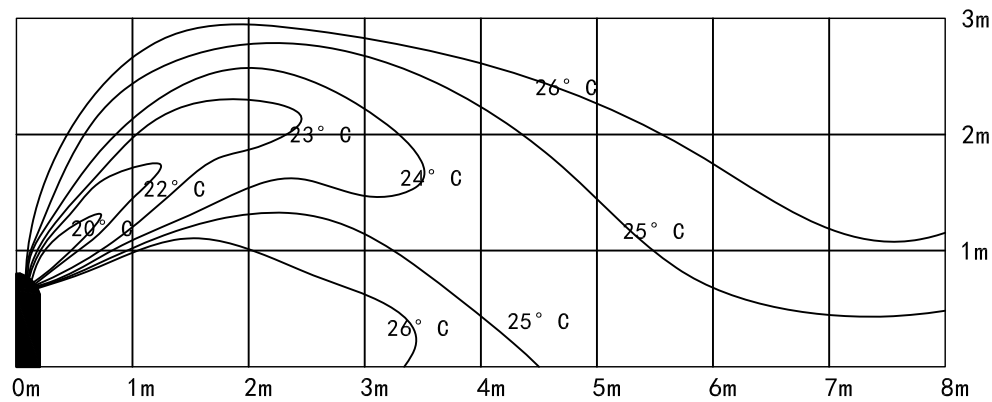


7. AIR FLOW DISTRIBUTION

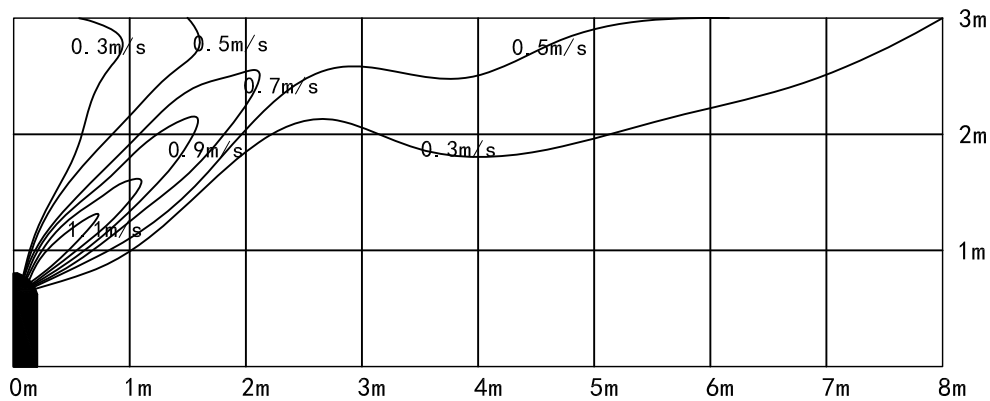
5) Floor installation/Cooling/Air velocity distribution



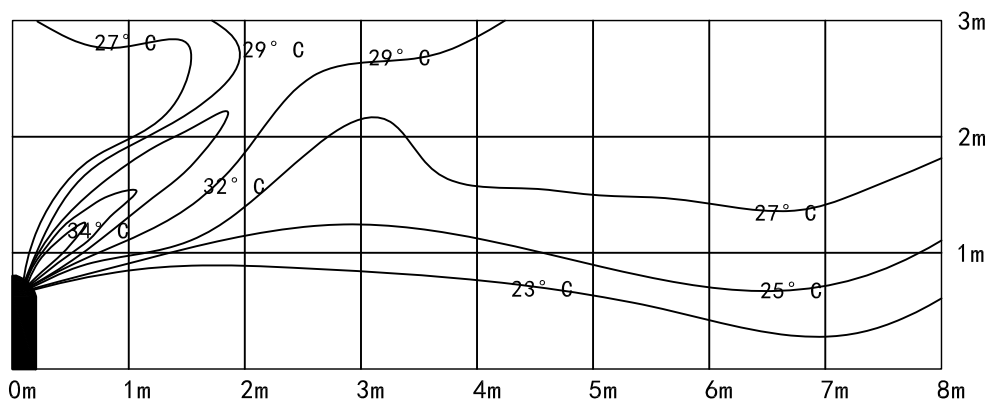
6) Floor installation/Cooling/Air temperature distribution



7) Floor installation/Heating/Air velocity distribution



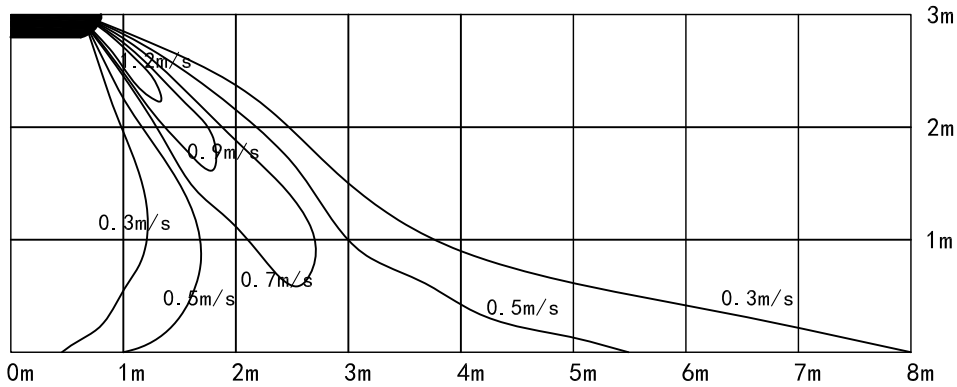
8) Floor installation/Heating/Air temperature distribution



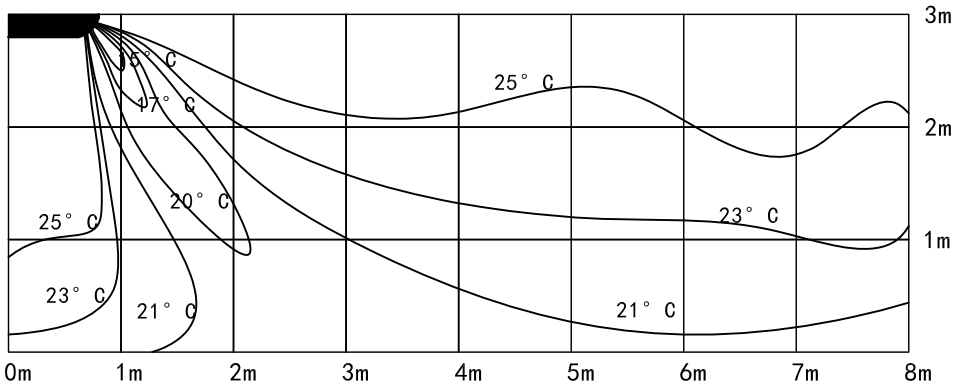
7. AIR FLOW DISTRIBUTION

5.0HP

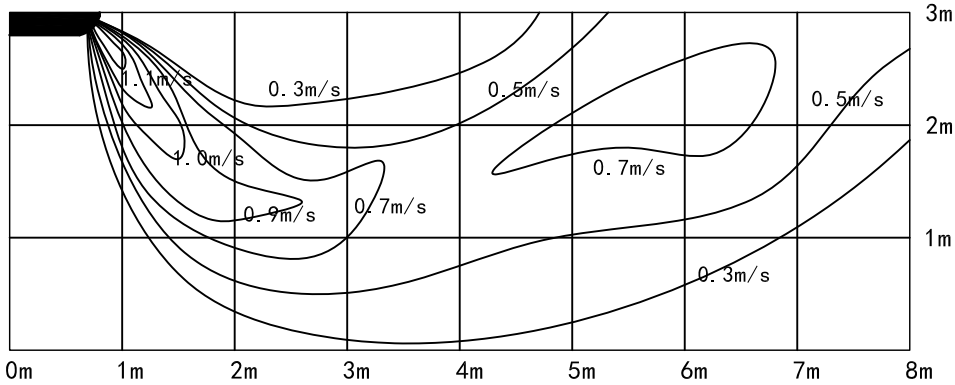
1) Floor installation/Cooling/Air velocity distribution



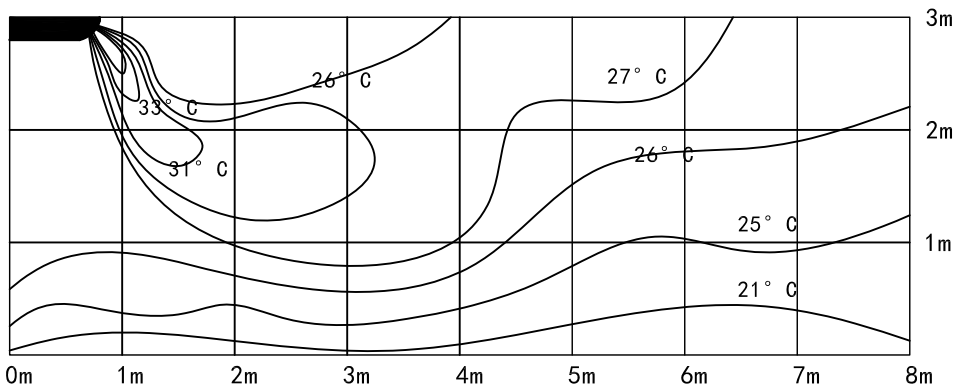
2) Floor installation/Cooling/Air temperature distribution



3) Floor installation/Heating/Air velocity distribution

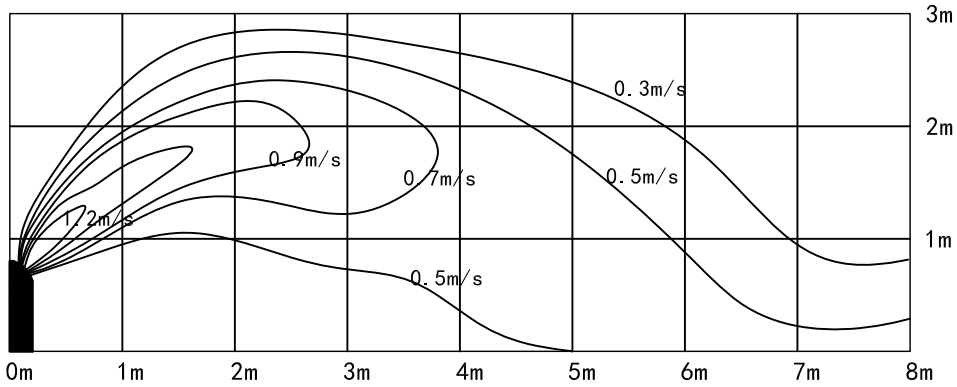


4) Floor installation/Heating/Air temperature distribution

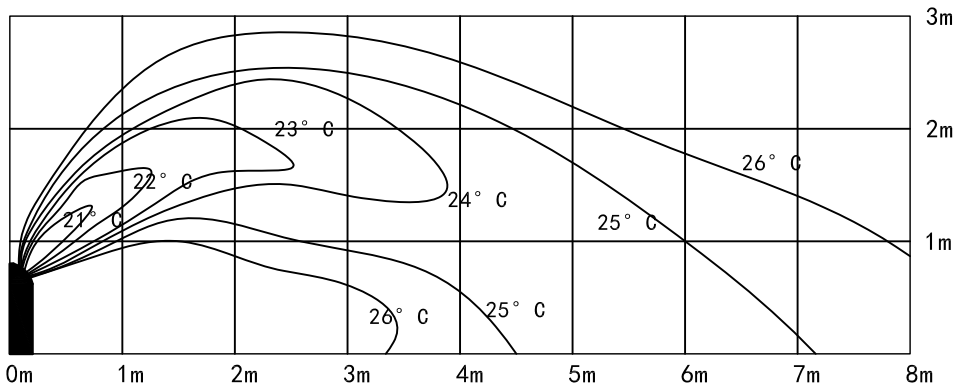


7. AIR FLOW DISTRIBUTION

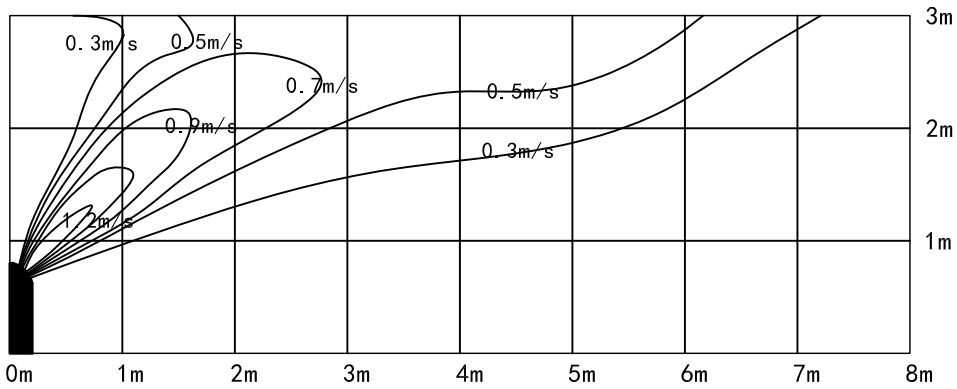
5) Floor installation/Cooling/Air velocity distribution



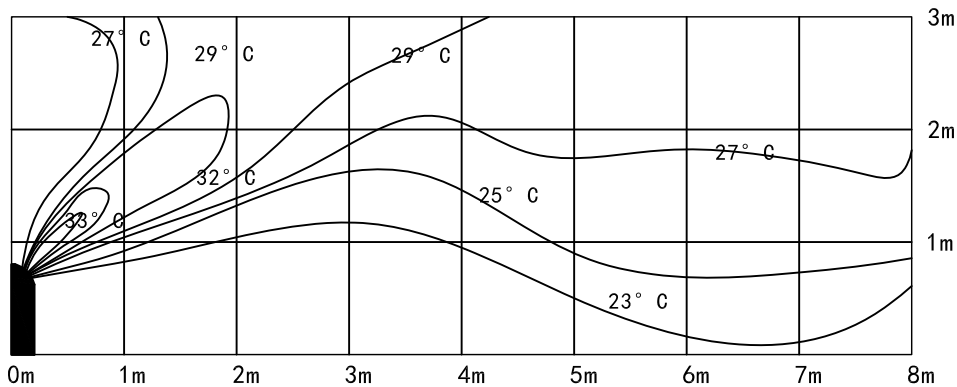
6) Floor installation/Cooling/Air temperature distribution



7) Floor installation/Heating/Air velocity distribution



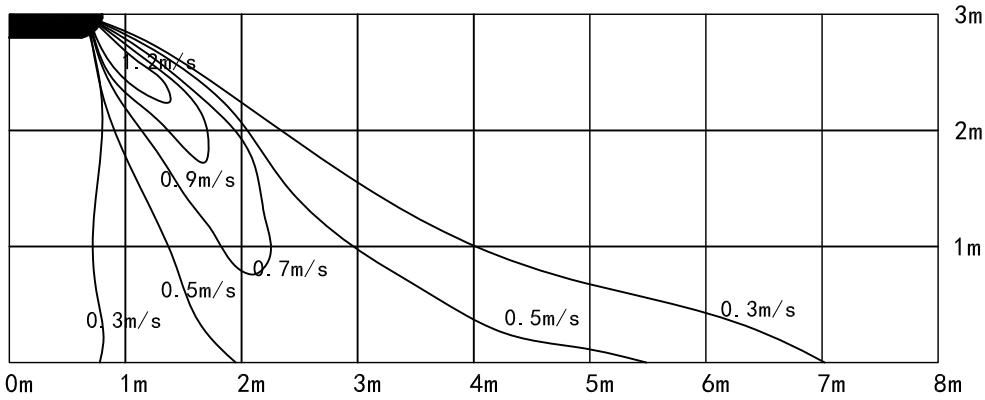
8) Floor installation/Heating/Air temperature distribution



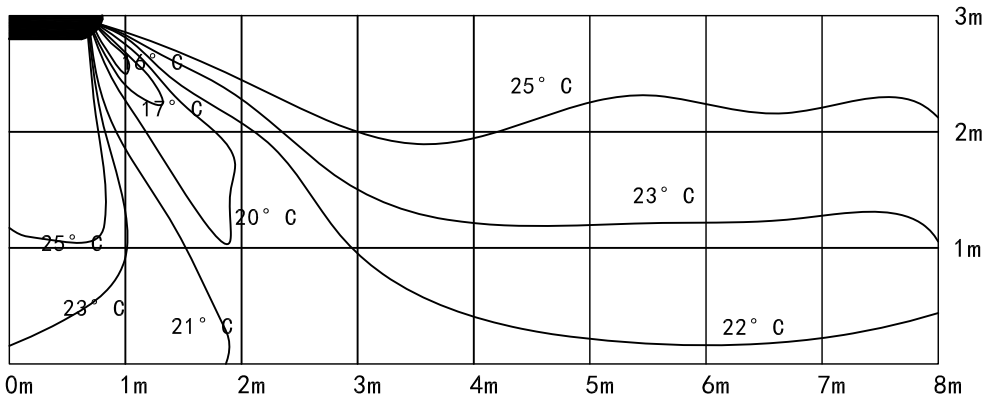
7. AIR FLOW DISTRIBUTION

6.0HP

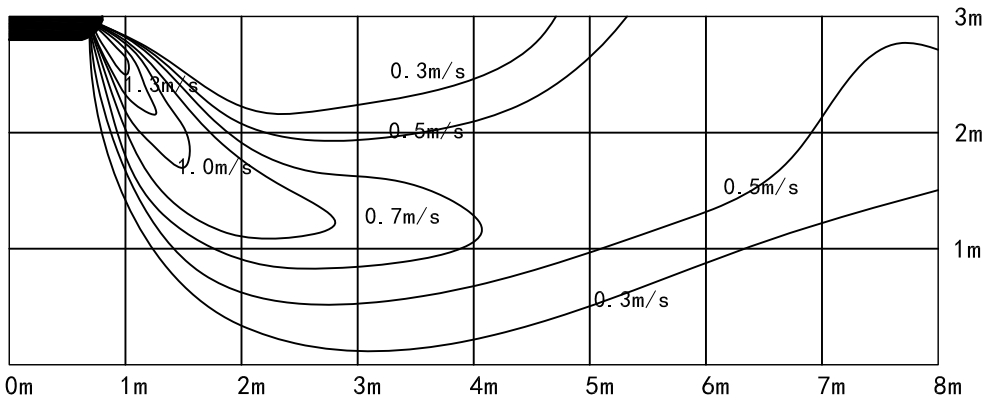
1) Ceiling installation/Cooling/Air velocity distribution



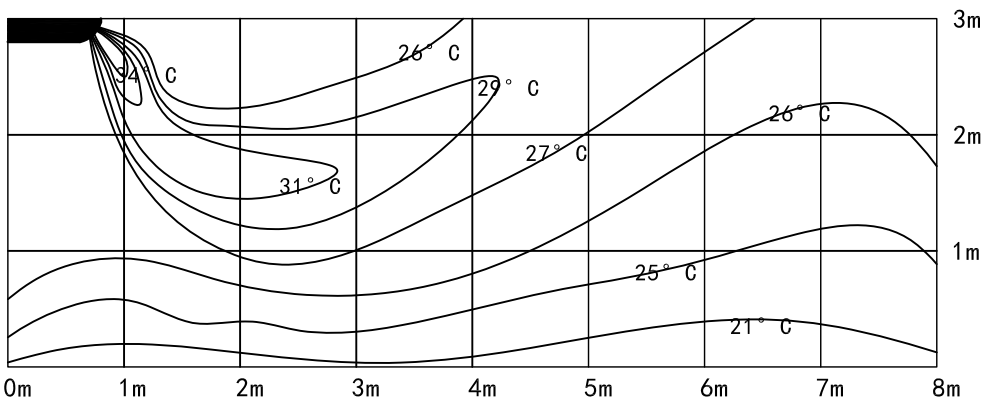
2) Ceiling installation/Cooling/Air temperature distribution



3) Ceiling installation/Heating/Air velocity distribution

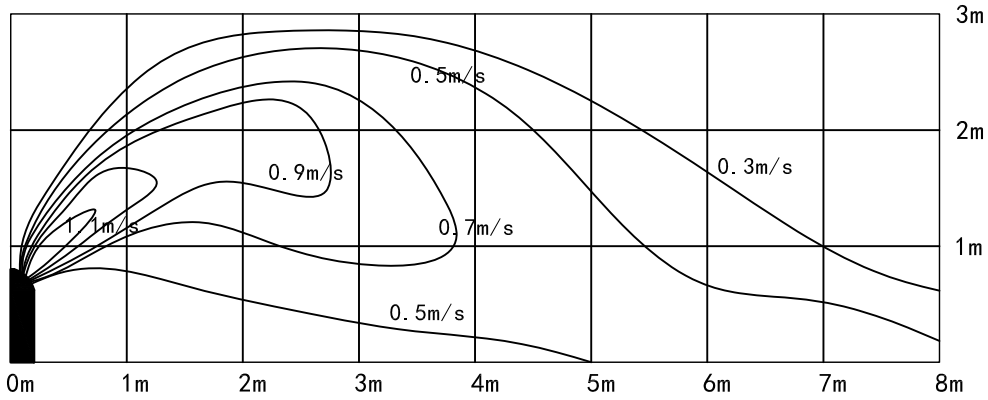


4) Ceiling installation/Heating/Air temperature distribution

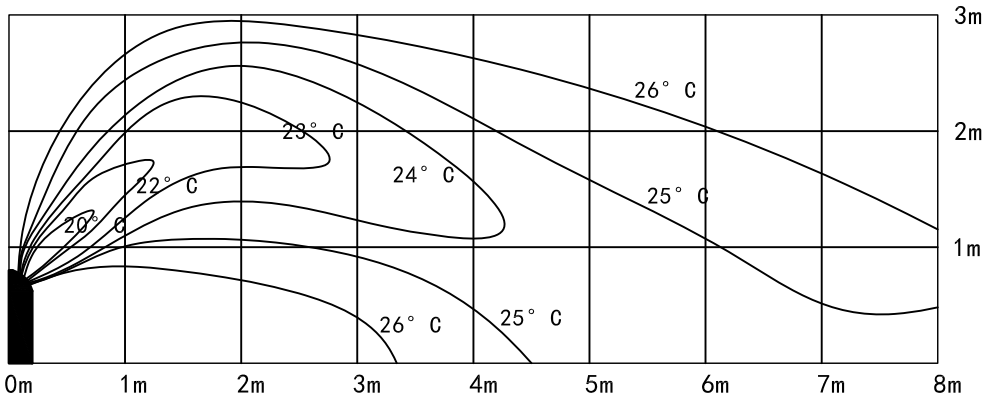


7. AIR FLOW DISTRIBUTION

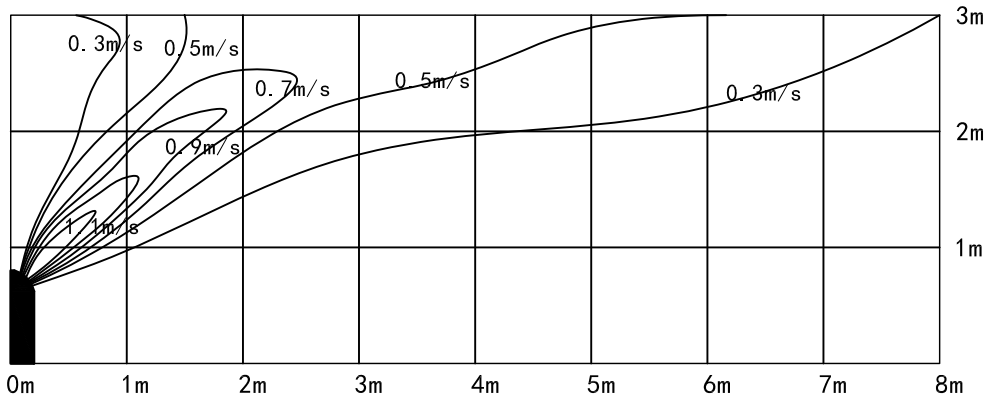
5) Floor installation/Cooling/Air velocity distribution



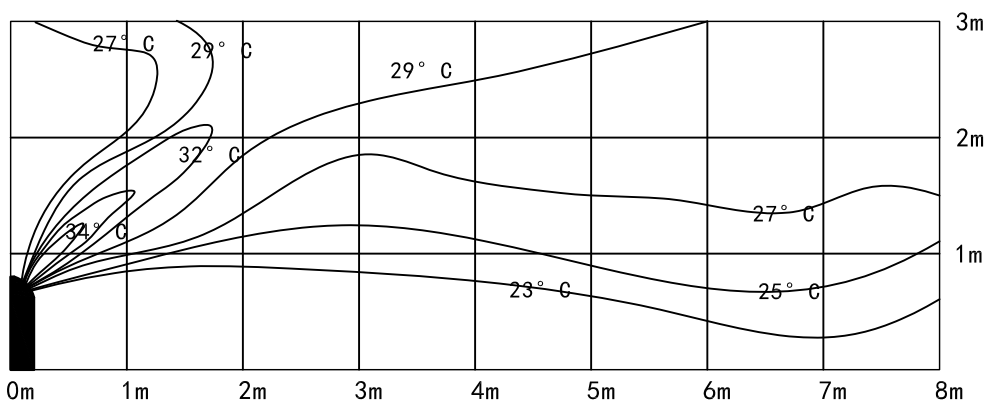
6) Floor installation/Cooling/Air temperature distribution



7) Floor installation/Heating/Air velocity distribution



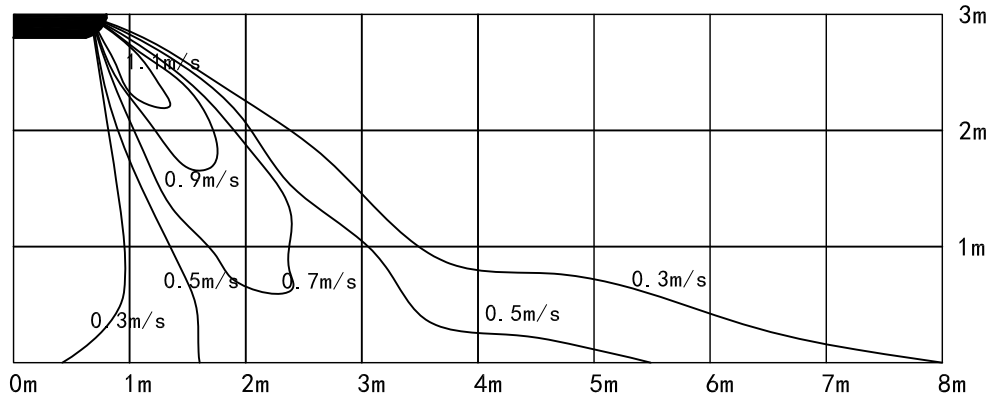
8) Floor installation/Heating/Air temperature distribution



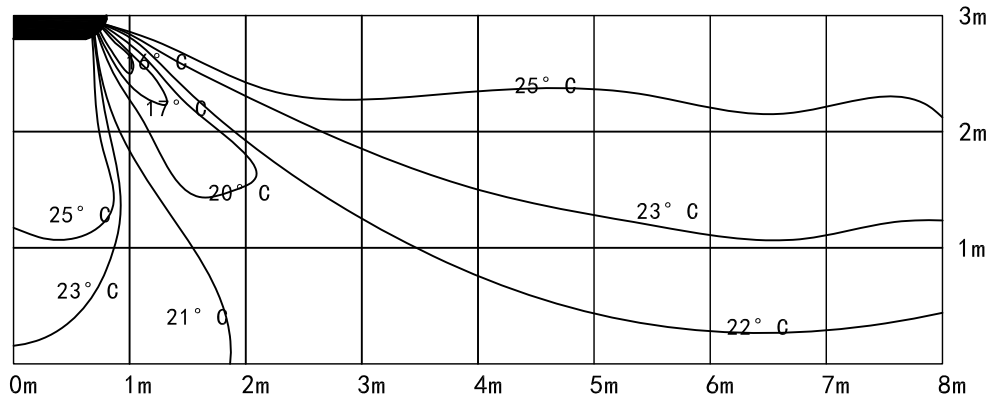
7. AIR FLOW DISTRIBUTION

6.5HP

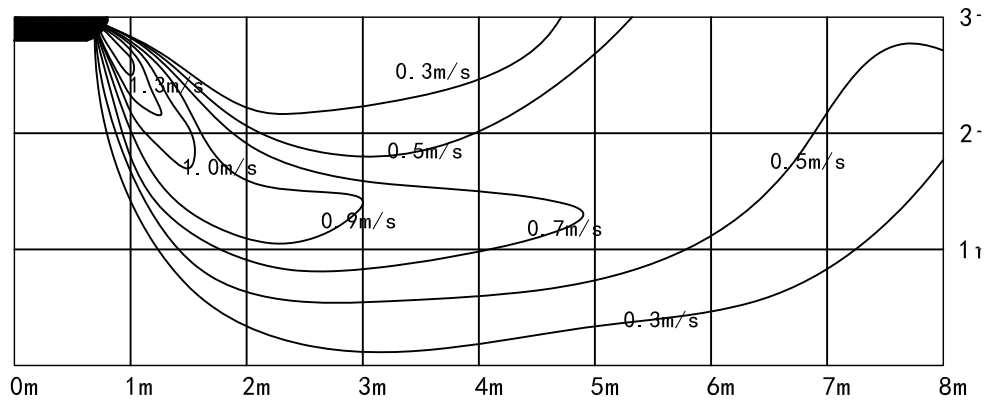
1) Ceiling installation/Cooling/Air velocity distribution



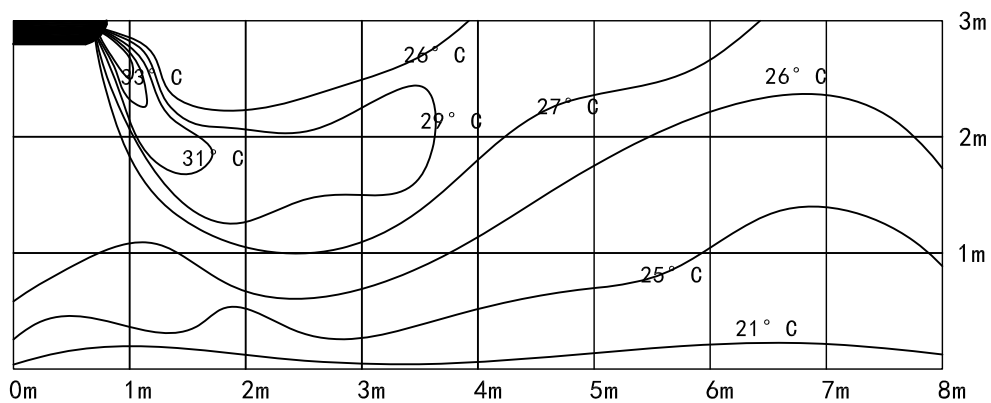
2) Ceiling installation/Cooling/Air temperature distribution



3) Ceiling installation/Heating/Air velocity distribution

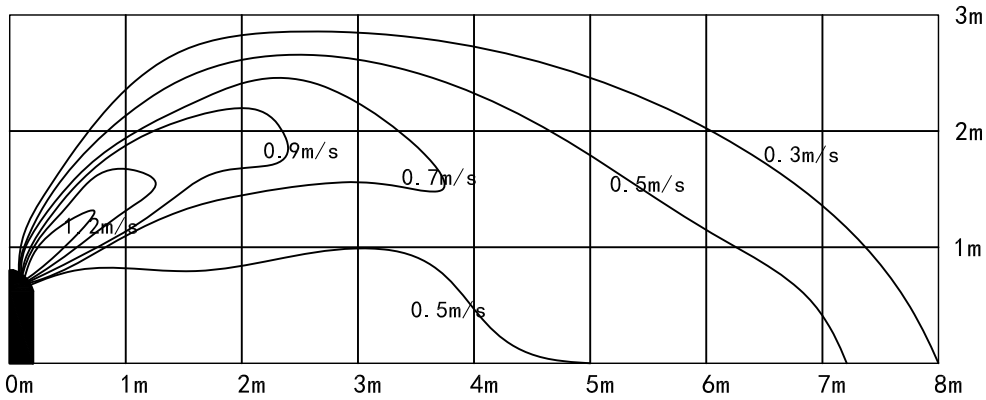


4) Ceiling installation/Heating/Air temperature distribution

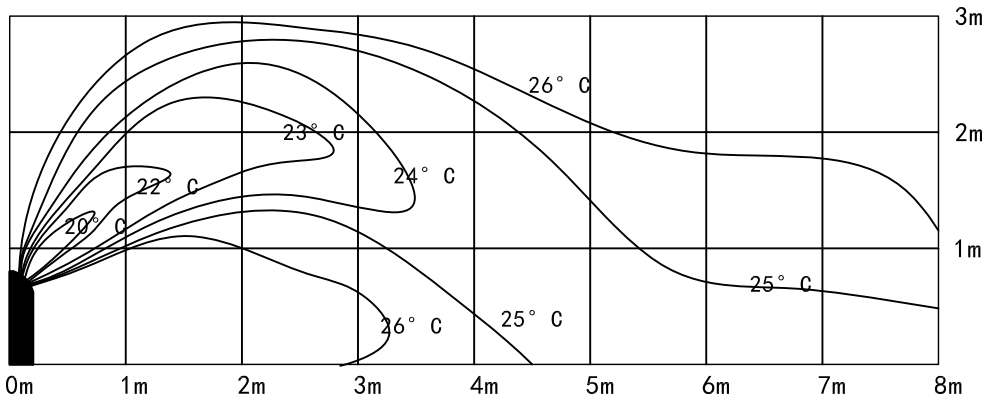


7. AIR FLOW DISTRIBUTION

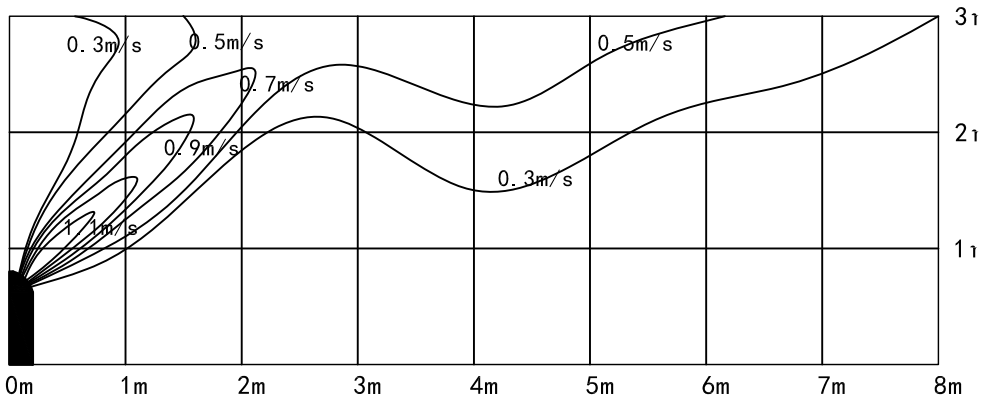
5) Floor installation/Cooling/Air velocity distribution



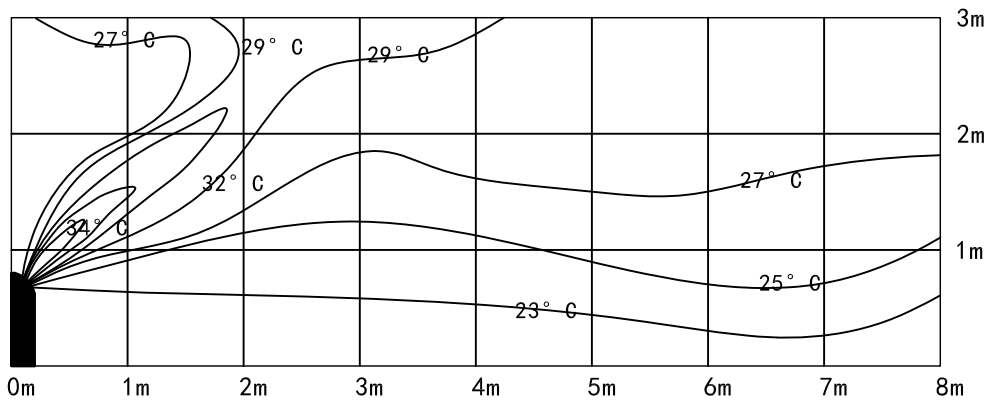
6) Floor installation/Cooling/Air temperature distribution



7) Floor installation/Heating/Air velocity distribution



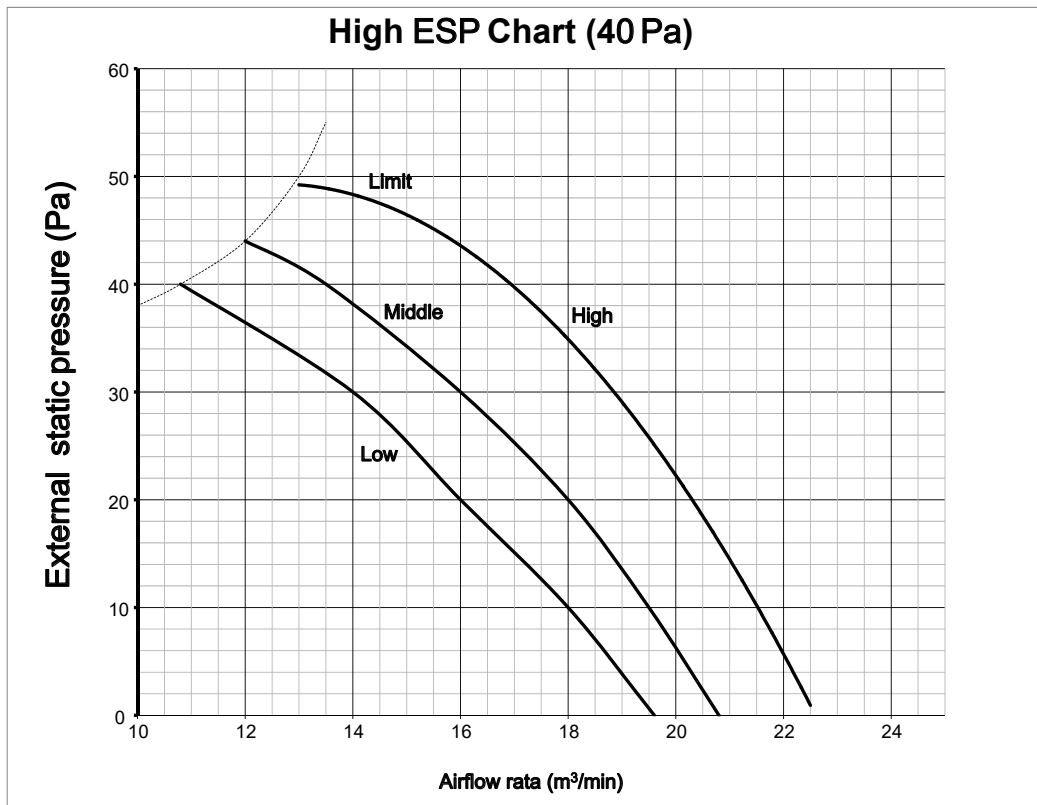
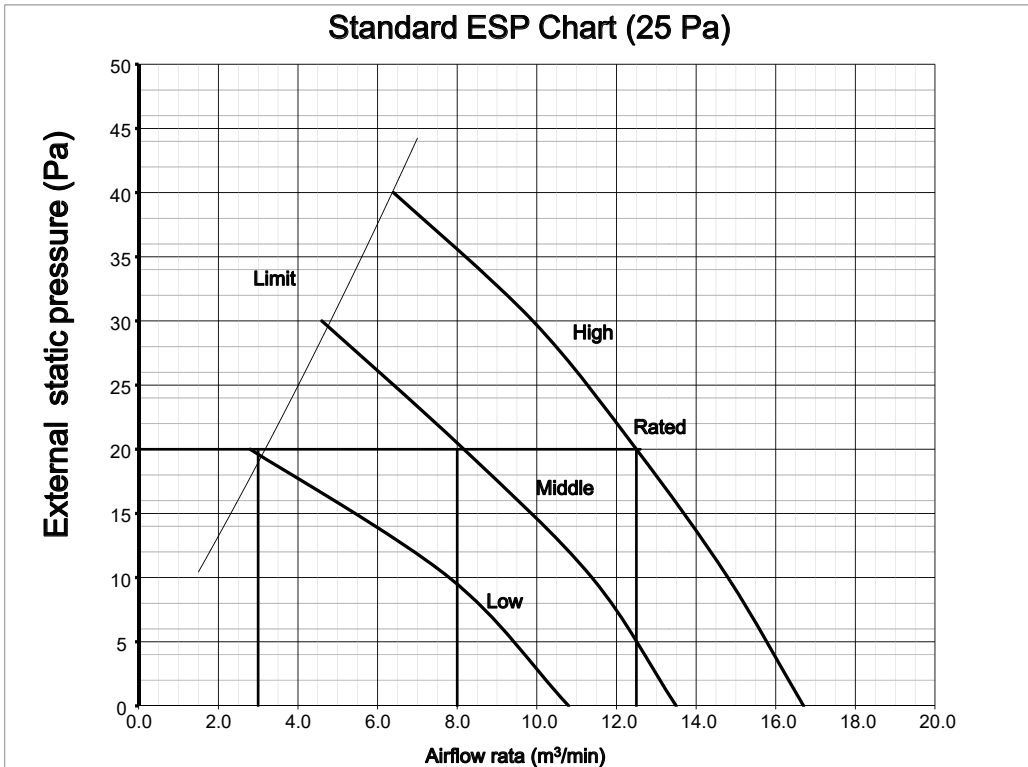
8) Floor installation/Heating/Air temperature distribution



8. ESP (EXTERNAL STATIC PRESSURE) CHART (DUCTED TYPE)

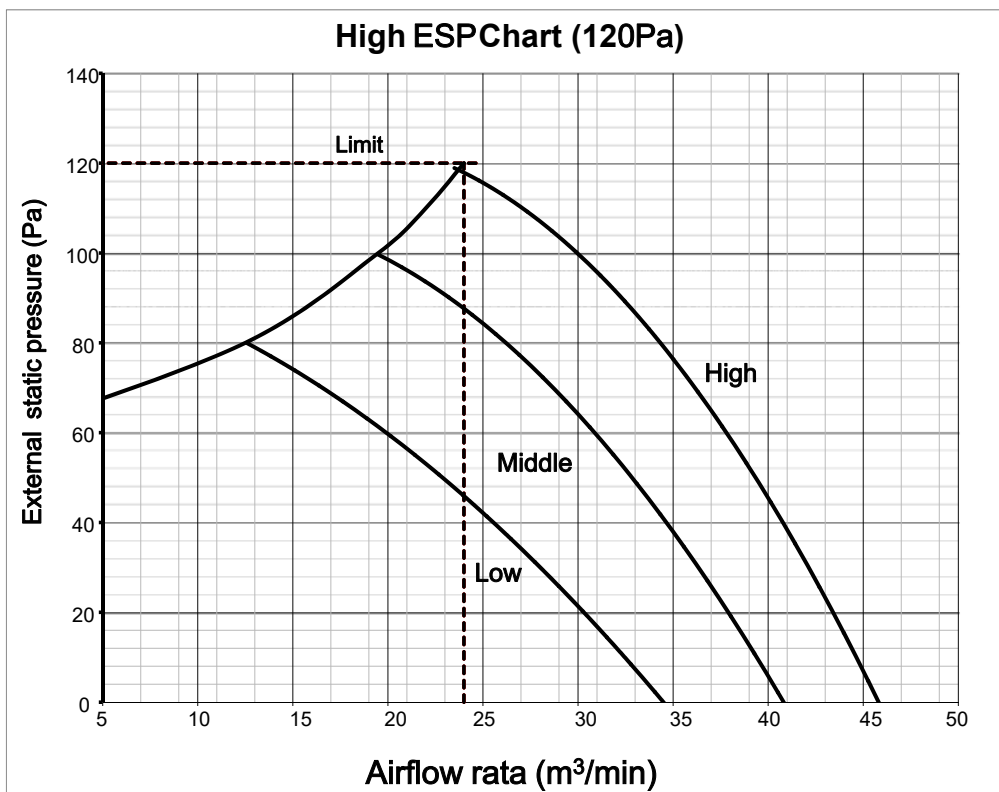
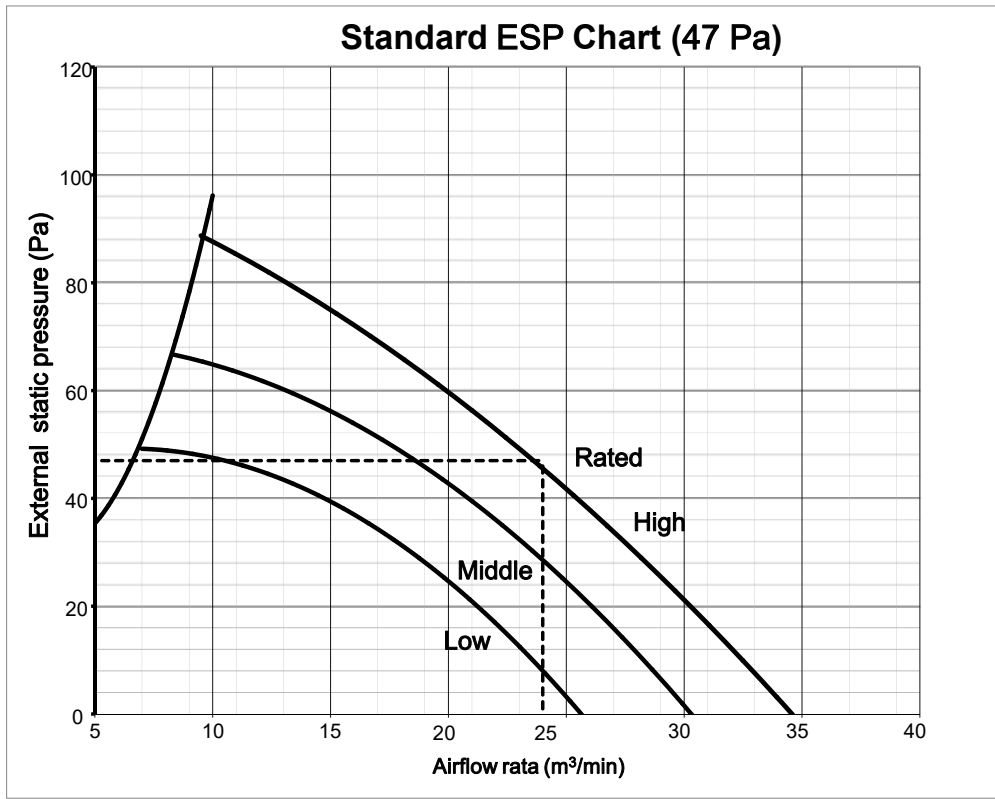
ESP (External static pressure) chart (Ducted type)

3.0HP



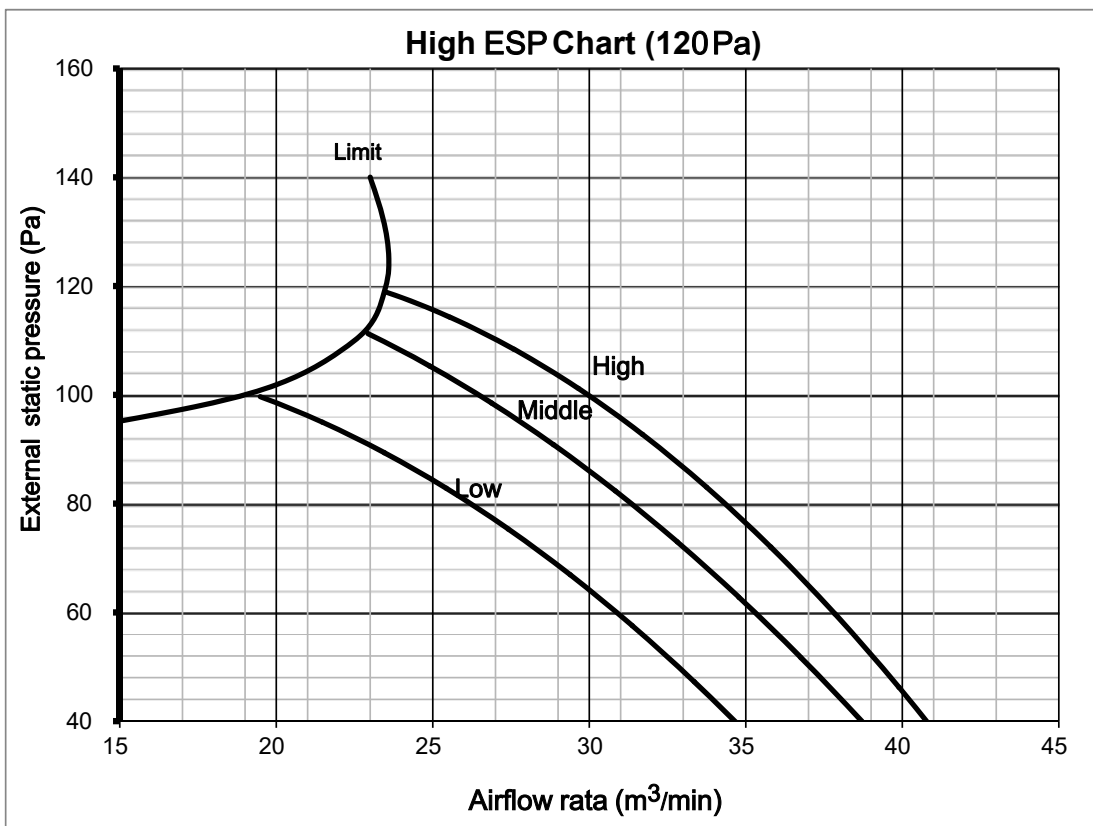
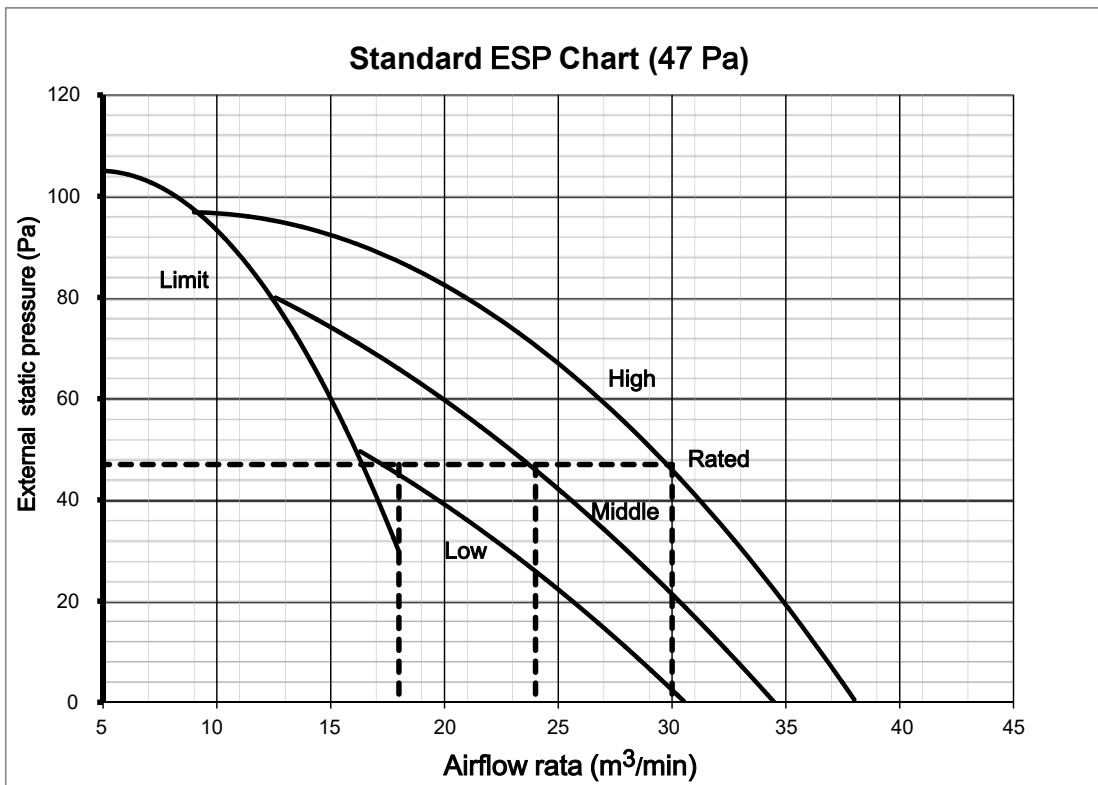
8. ESP (EXTERNAL STATIC PRESSURE) CHART (DUCTED TYPE)

3.5HP



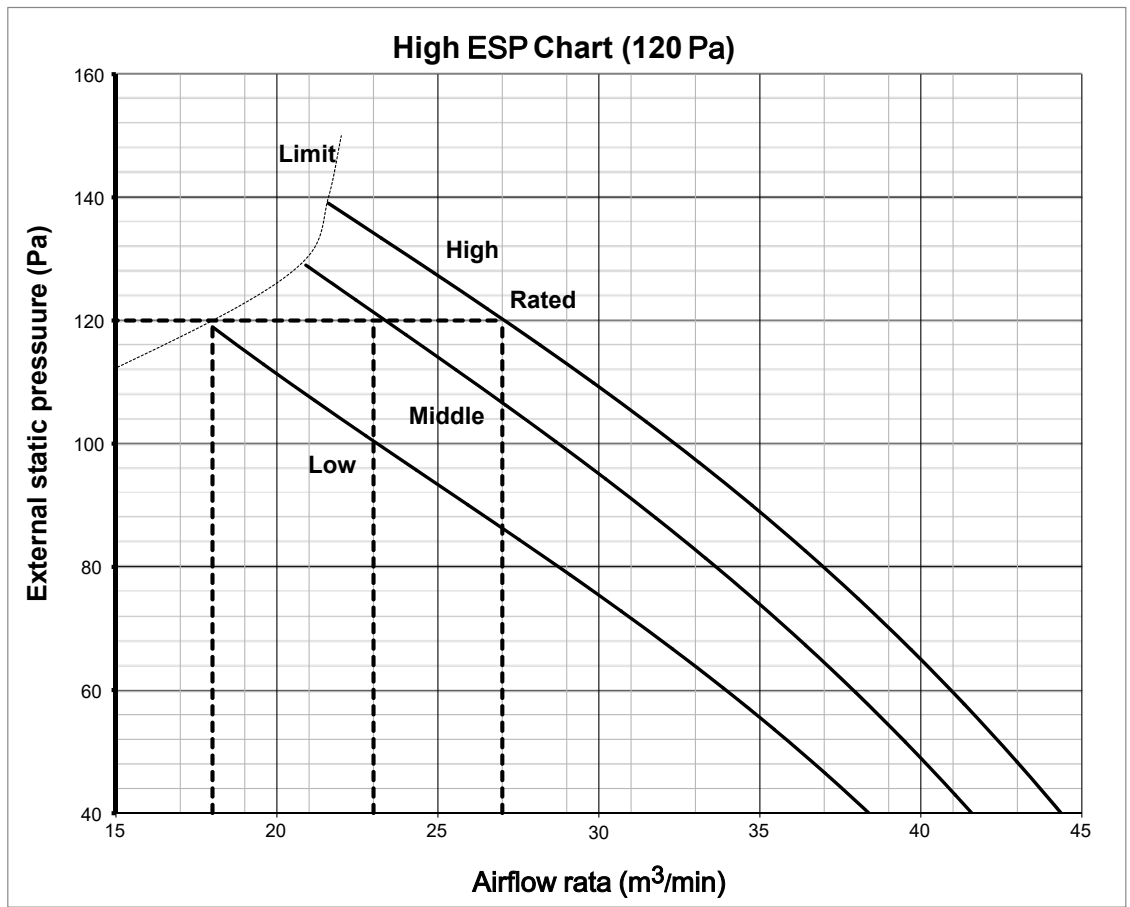
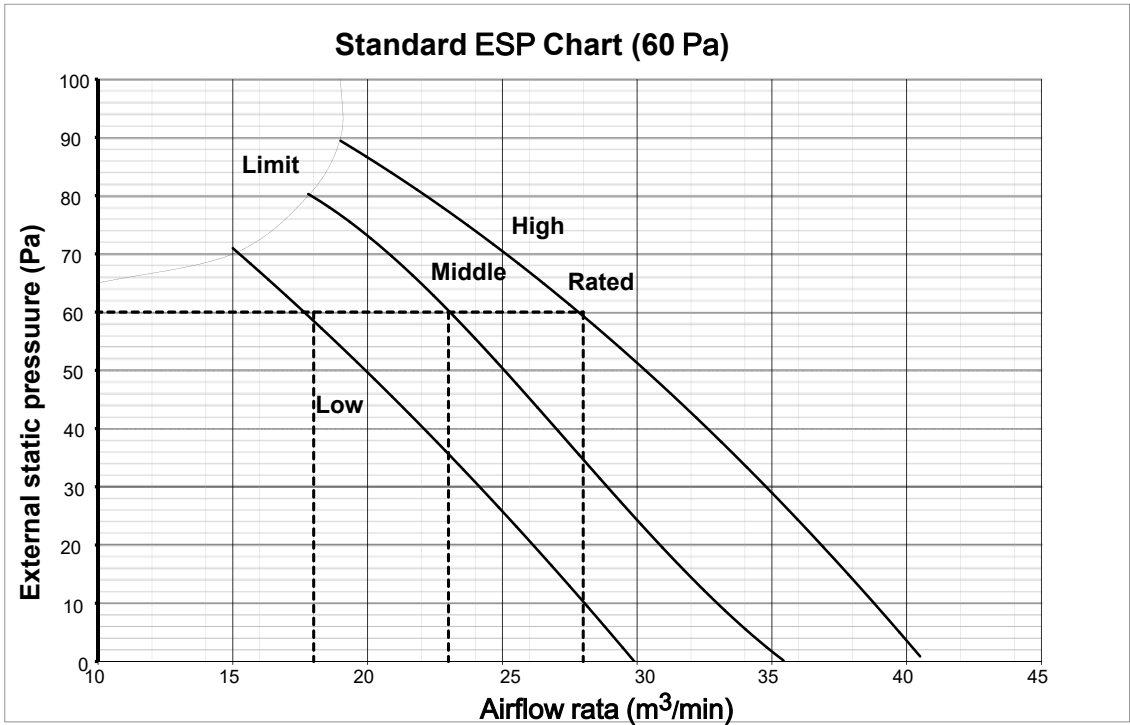
8. ESP (EXTERNAL STATIC PRESSURE) CHART (DUCTED TYPE)

4.0HP



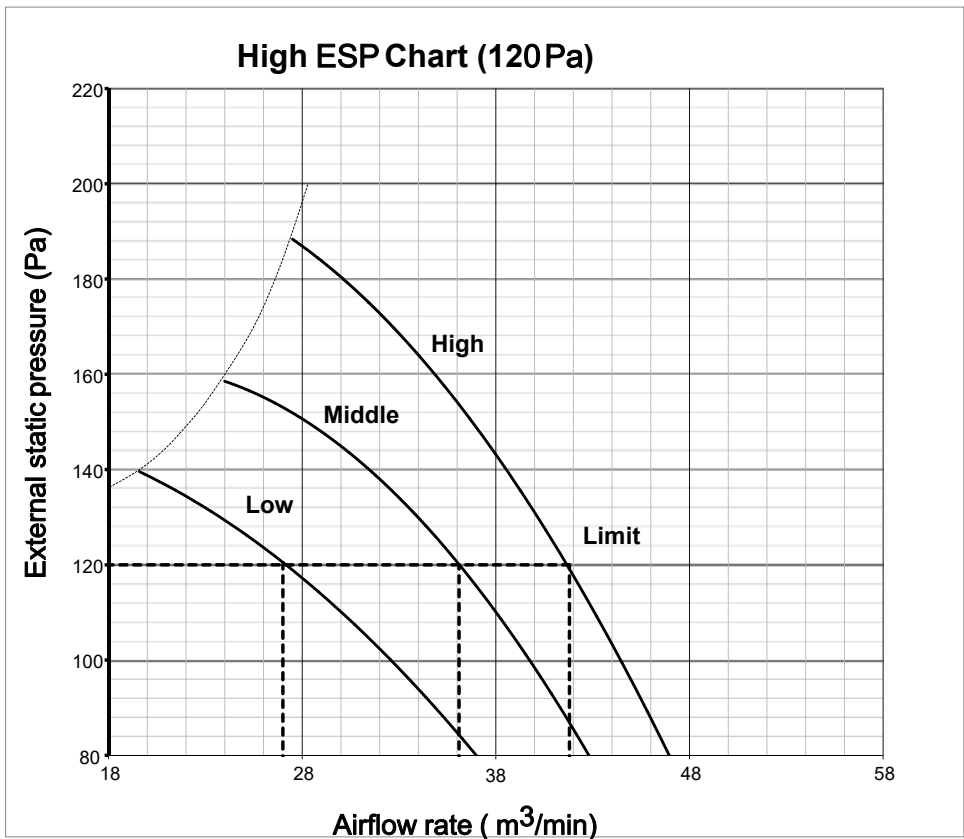
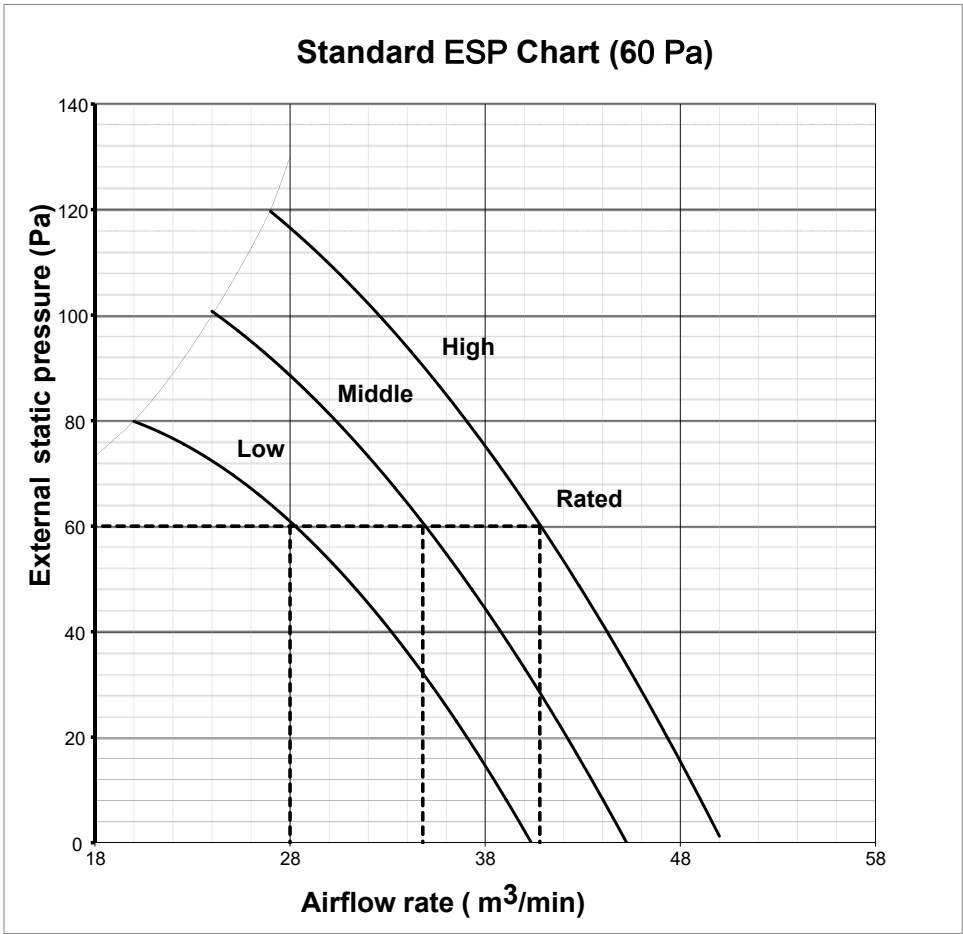
8. ESP (EXTERNAL STATIC PRESSURE) CHART (DUCTED TYPE)

5.0HP



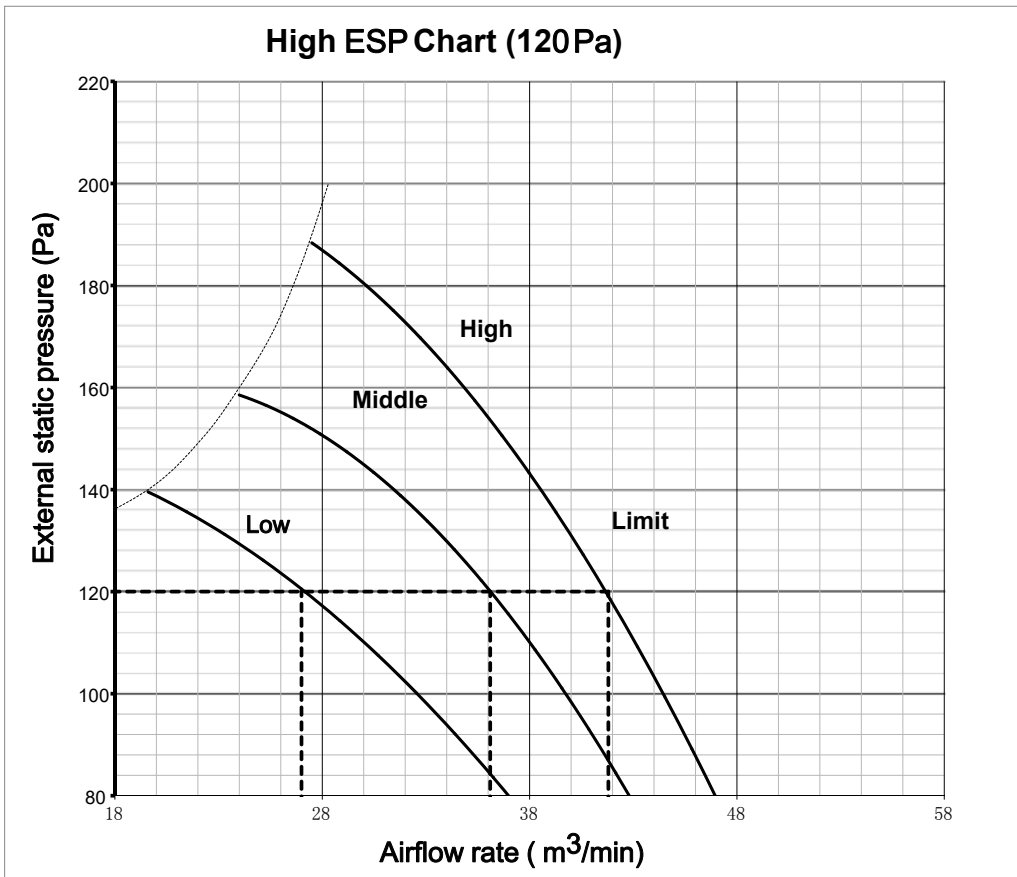
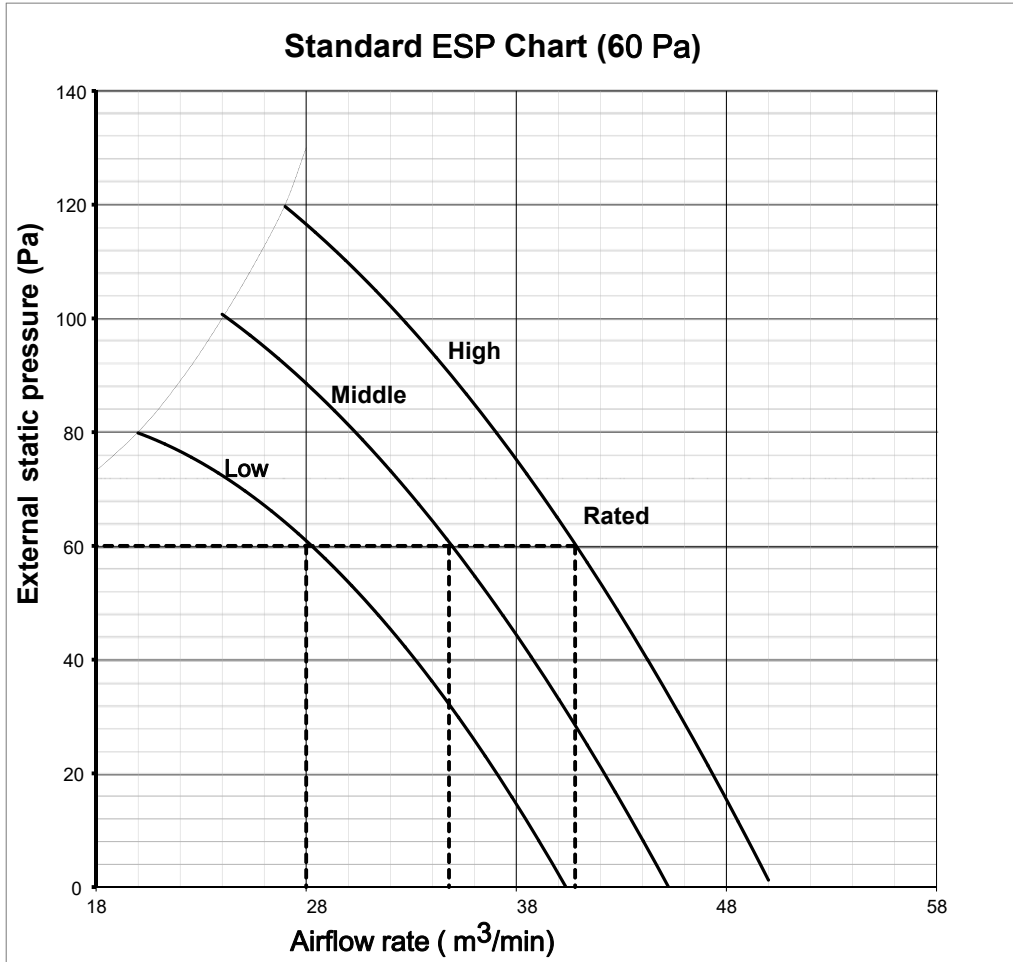
8. ESP (EXTERNAL STATIC PRESSURE) CHART (DUCTED TYPE)

6.0HP



8. ESP (EXTERNAL STATIC PRESSURE) CHART (DUCTED TYPE)

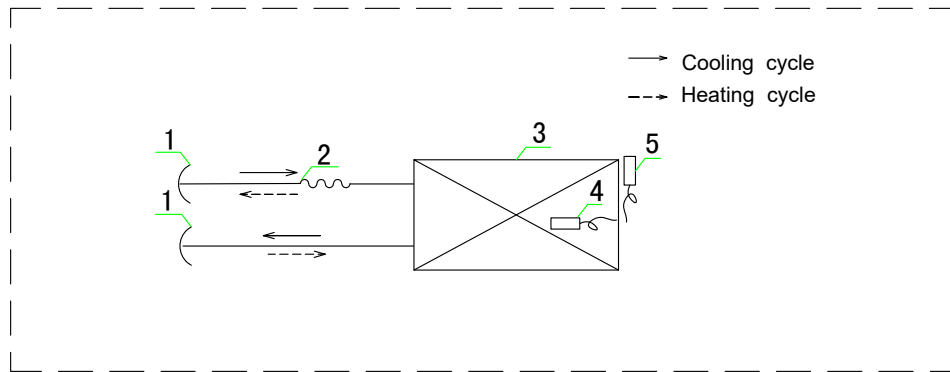
6.5HP



9. REFRIGERANT CYCLE

Refrigerant cycle

Indoor unit

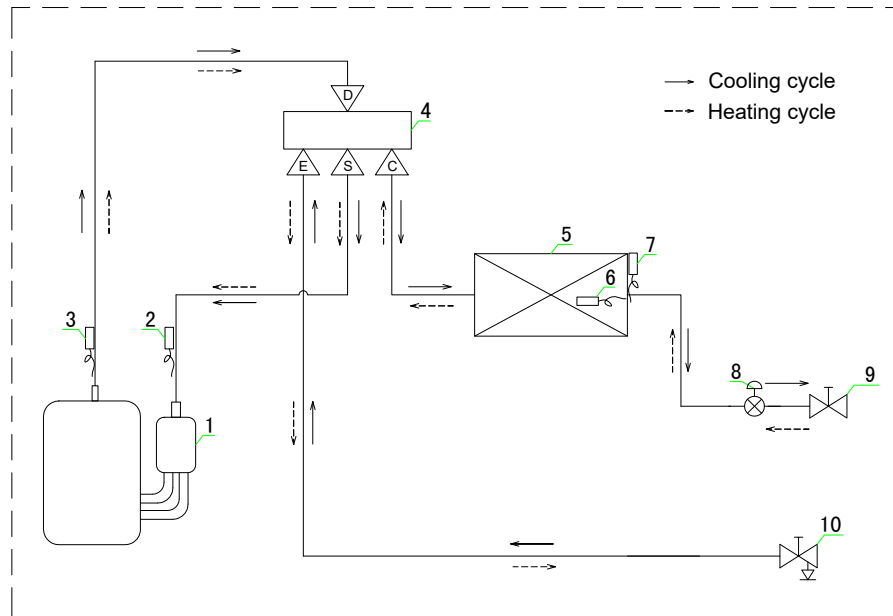


List of components	
1	Hexagon nut
2	Split capillary
3	Indoor heat exchanger
4	Ambient temperature sensor
5	Coil temperature sensor

9. REFRIGERANT CYCLE

Outdoor unit

3.0/3.5HP

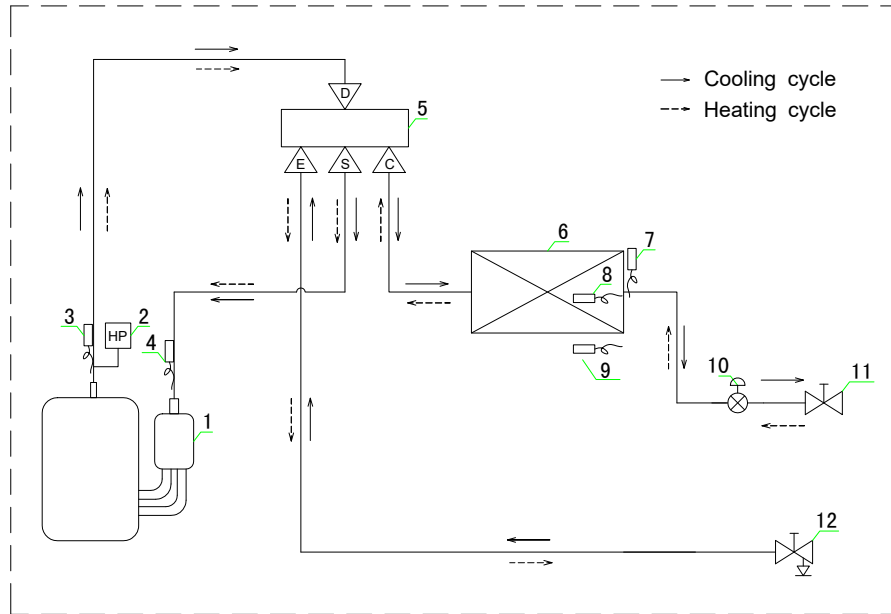


List of components

List of components	
1	Compressor
2	Suction temperature sensor
3	Discharge temperature sensor
4	4-way valve
5	Outdoor heat exchanger
6	Ambient temperature sensor
7	Coil temperature sensor
8	Electronic expansion valve
9	Stop valve (Liquid)
10	Stop valve (Gas)

9. REFRIGERANT CYCLE

4.0HP

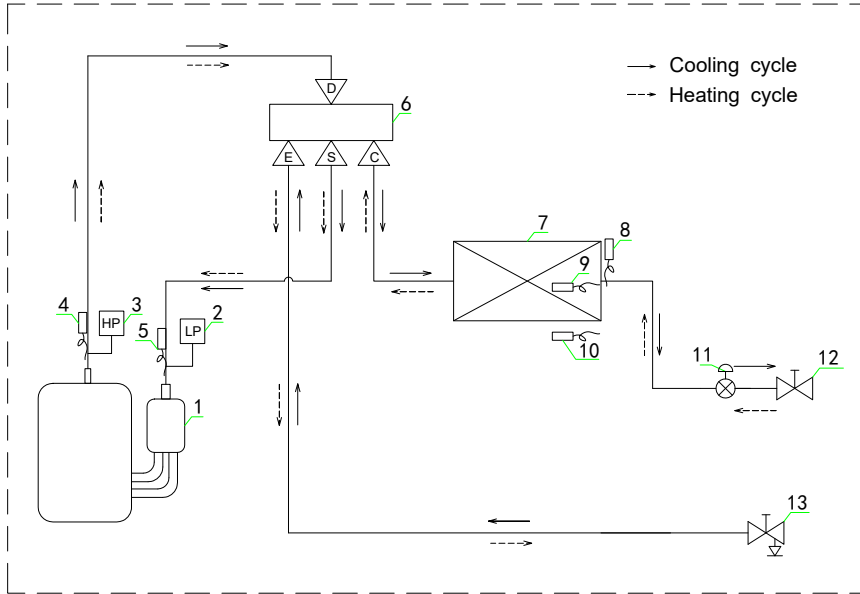


List of components

1	Compressor	7	Coil temperature sensor
2	High pressure switch	8	Defrost temperature sensor
3	Discharge temperature sensor	9	Ambient temperature sensor
4	Suction temperature sensor	10	Electronic expansion valve
5	4-Way valve	11	Stop valve (Liquid)
6	Outdoor heat exchanger	12	Stop valve (Gas)

9. REFRIGERANT CYCLE

5.0HP

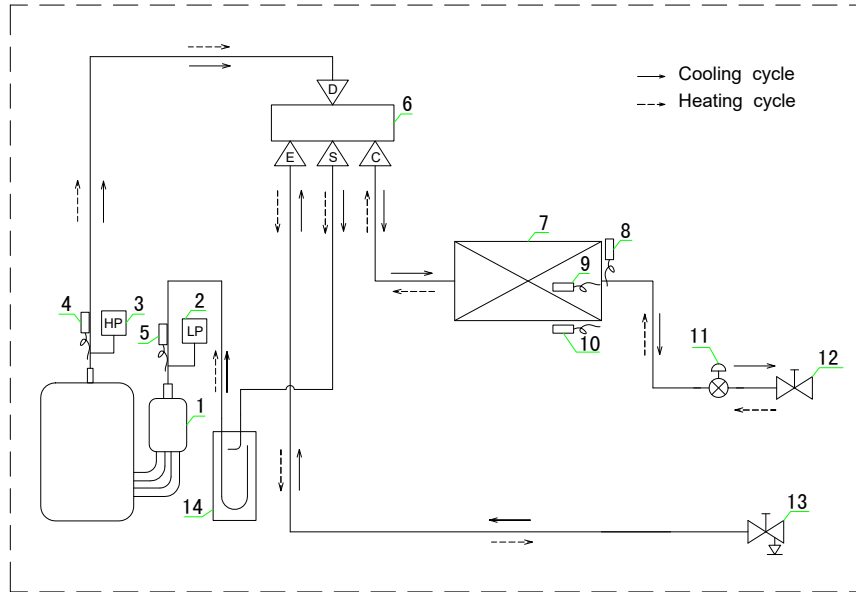


List of components

1	Compressor	8	Defrost temperature sensor
2	Low pressure switch	9	Coil temperature sensor
3	High pressure switch	10	Ambient temperature sensor
4	Discharge temperature sensor	11	Electronic expansion valve
5	Suction temperature sensor	12	Stop valve
6	4-Way valve	13	Stop valve
7	Outdoor heat exchanger		

9. REFRIGERANT CYCLE

6.0/6.5HP



List of components

1	Compressor	8	Coil temperature sensor
2	Low pressure switch	9	Ambient temperature sensor
3	High pressure switch	10	Defrost temperature sensor
4	Discharge temperature sensor	11	Electronic expansion valve
5	Suction temperature sensor	12	Stop valve
6	4-Way valve	13	Stop valve
7	Outdoor heat exchanger	14	Gas-liquid separator

10. FRESH AIR INTAKE FUNCTION

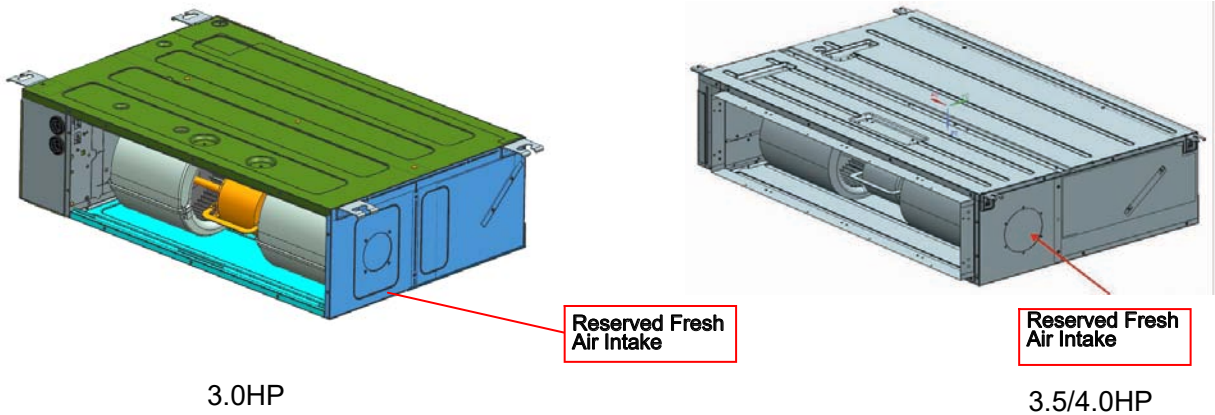
Fresh air intake function

Ducted (3.0/3.5/4.0HP)

Indoor unit can take fresh air from the reserved fresh air intake, the size of the fresh air intake hole is $\Phi 65\text{mm}$ (3.0HP), $\Phi 125\text{mm}$ (3.5/4.0HP).

Please follow the steps below when needed.

- 1) Cut off the reserved metal circular hole on the base board.
- 2) Connect air duct with the fresh air intake.

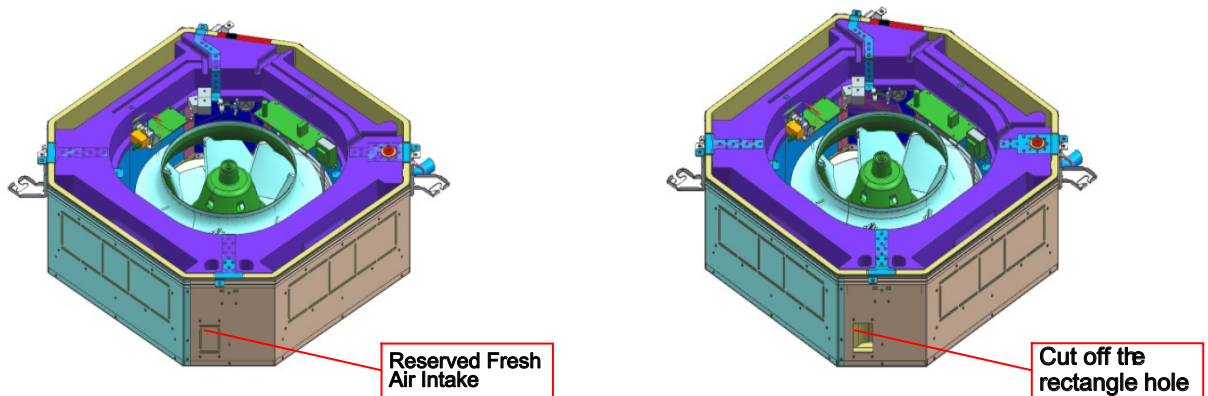


Cassette

Indoor unit can take fresh air from the reserved fresh air intake, the size of the fresh air intake hole is $75 \times 53(\text{mm})$.

Please follow the steps below when needed.

- 1) Cut off the reserved metal rectangular hole on the base board.
- 2) Cut off the foam material on the a rectangular hole.
- 3) Connect air duct with the fresh air intake.

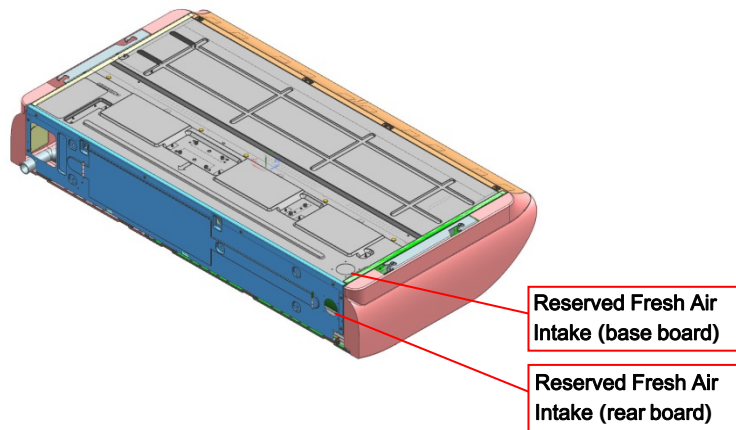


10. FRESH AIR INTAKE FUNCTION

Floor ceiling

The floor ceiling indoor units are provided with fresh air function. Indoor unit can take the fresh air from the reserved fresh air intake, the size of the fresh air intake hole is $\Phi 50(\text{mm})$. Please follow the steps below when needed.

- 1) Cut off the reserved metal circular hole on the base board or rear board according to installation location.
- 2) Connect air duct with the fresh air intake.

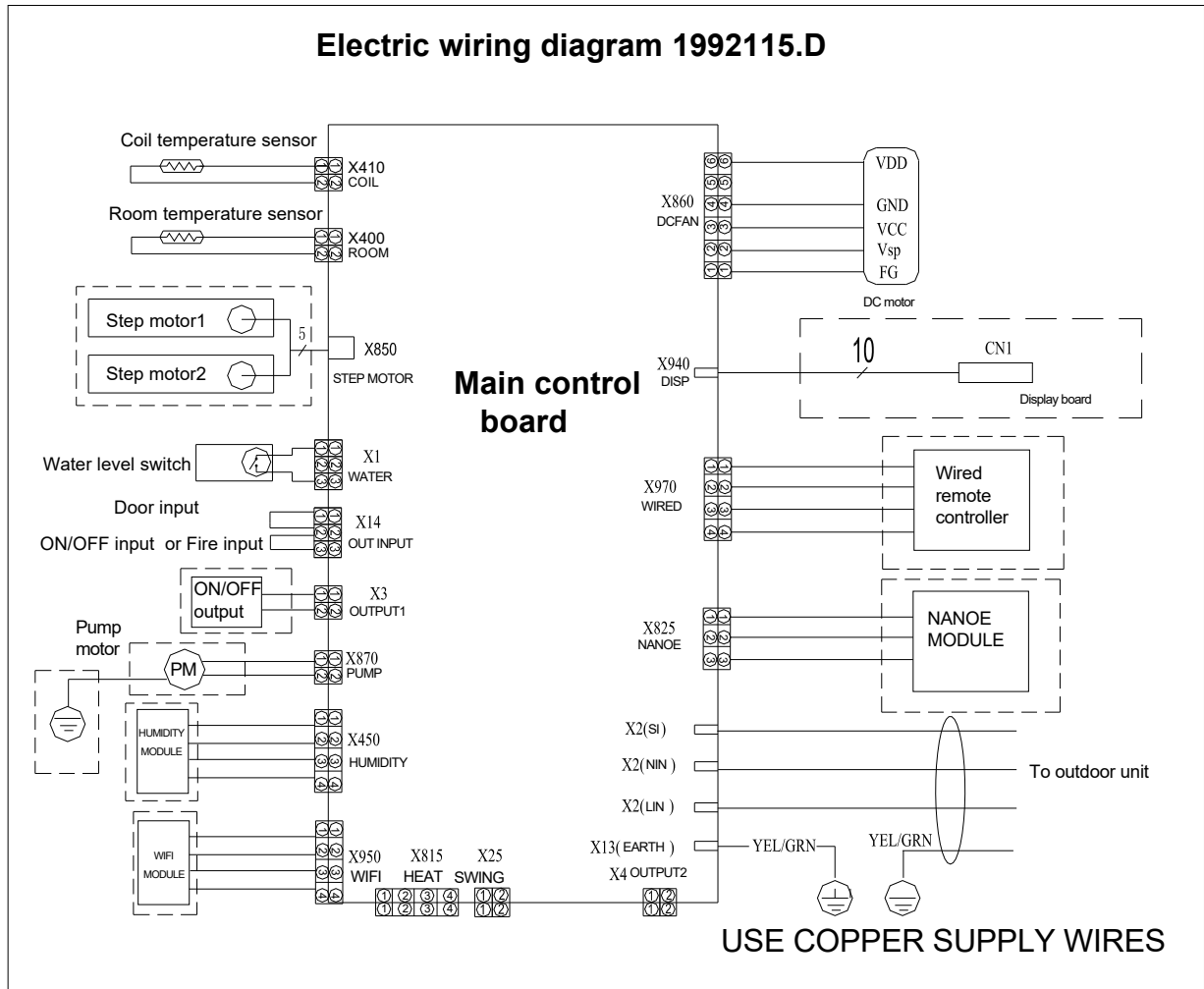


11. WIRING DIAGRAM

11.1 Electrical wiring diagram

Indoor unit

Duct type (3.0HP)



Remark:

Dashed parts are not available in some models.

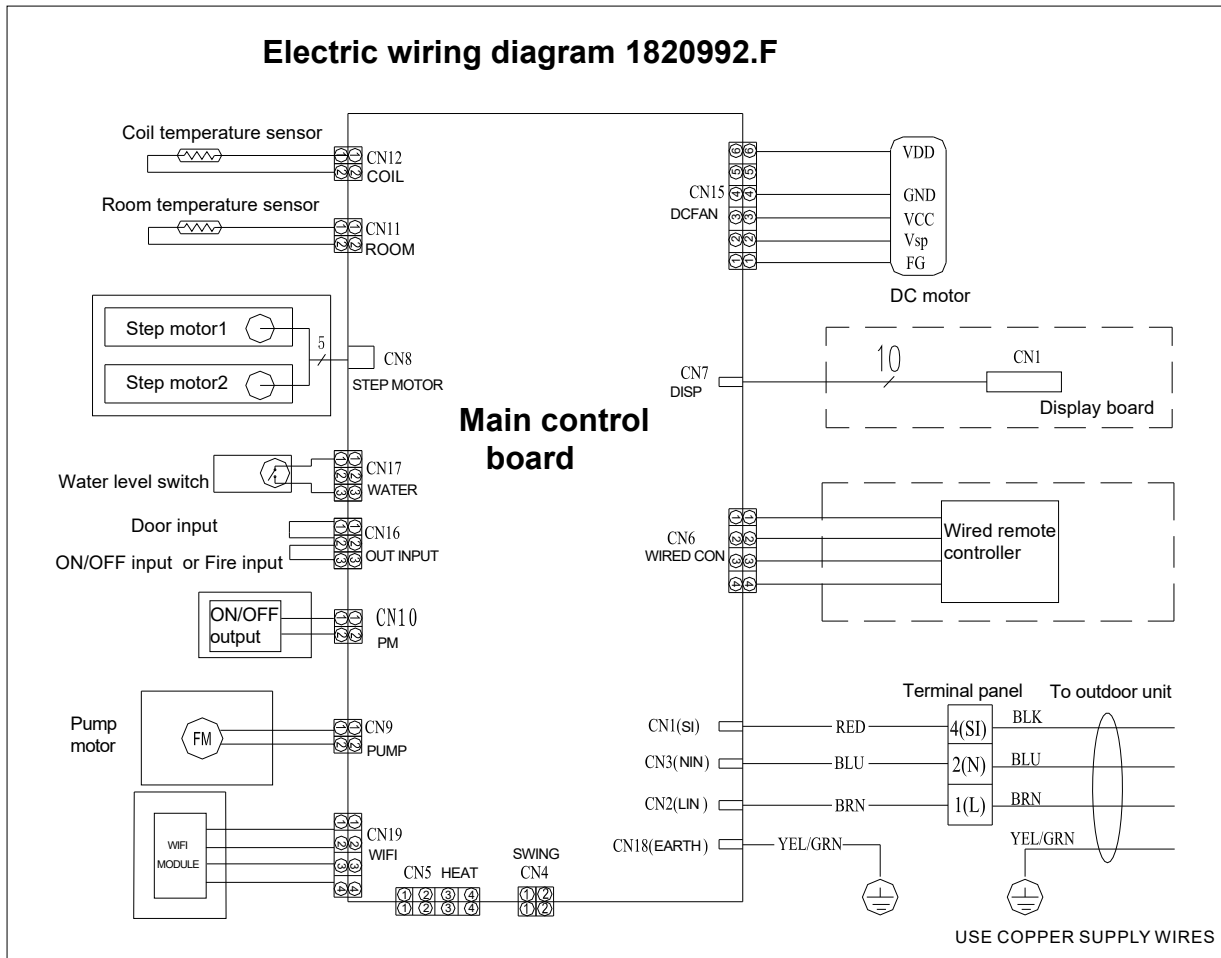
For details, see the table below.

	Indoor units model	Step motor	Pump motor	Humidity	WiFi Module	NANOE Module	Display board	Wired remote controller	ON/OFF output
Ducted	3.0HP							●	●

●--available part

11. WIRING DIAGRAM

Ducted type (3.5~6.0HP)



Remark:

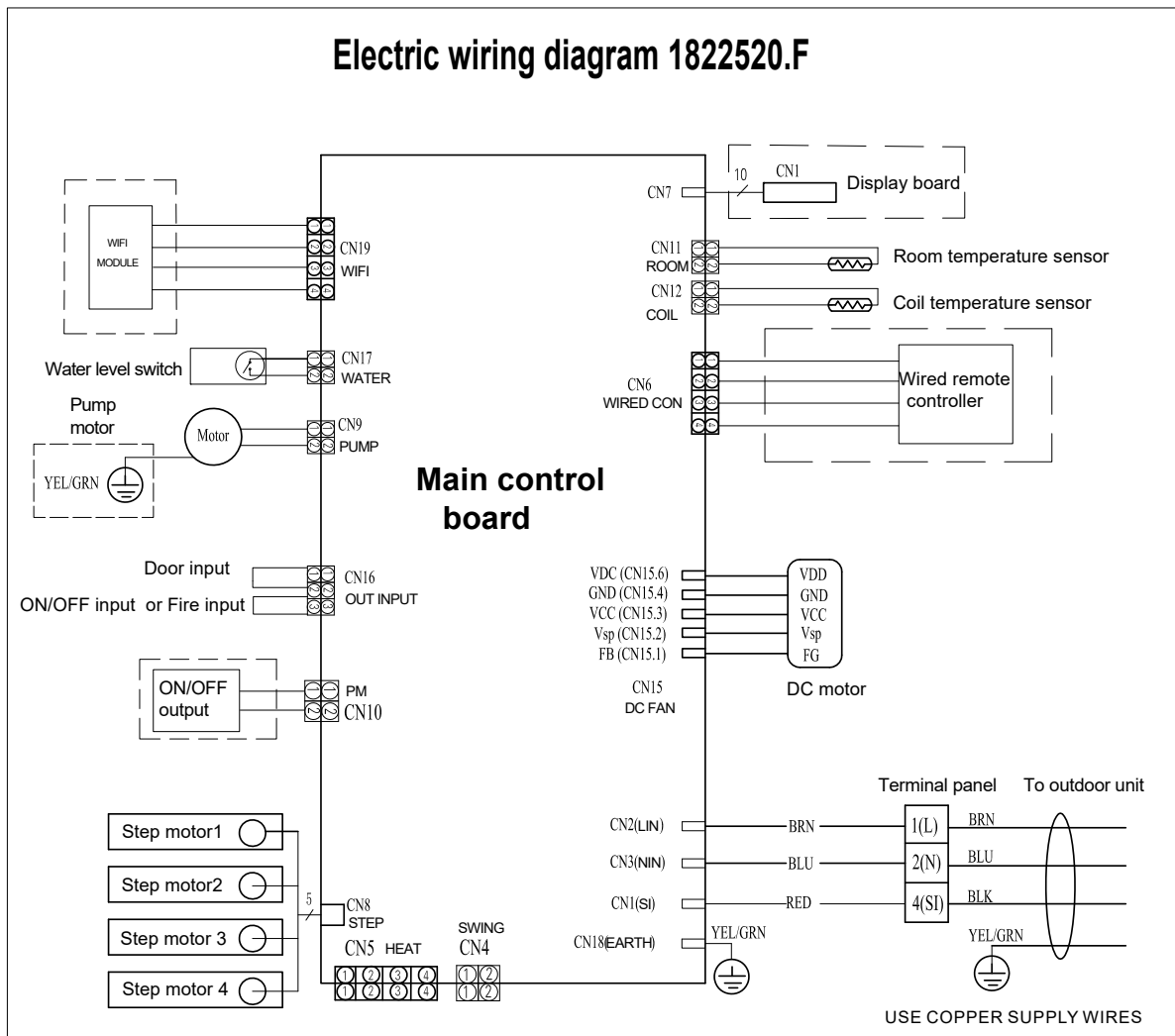
Dashed parts are not available in some models.
For details, see the table below.

	Indoor units model	Step motor	Pump motor	WIFI module	Display board	Wired remote controller	ON/OFF output
Ducted	3.5~6.5HP					●	●

●--available part

11. WIRING DIAGRAM

Cassette type



Remark:

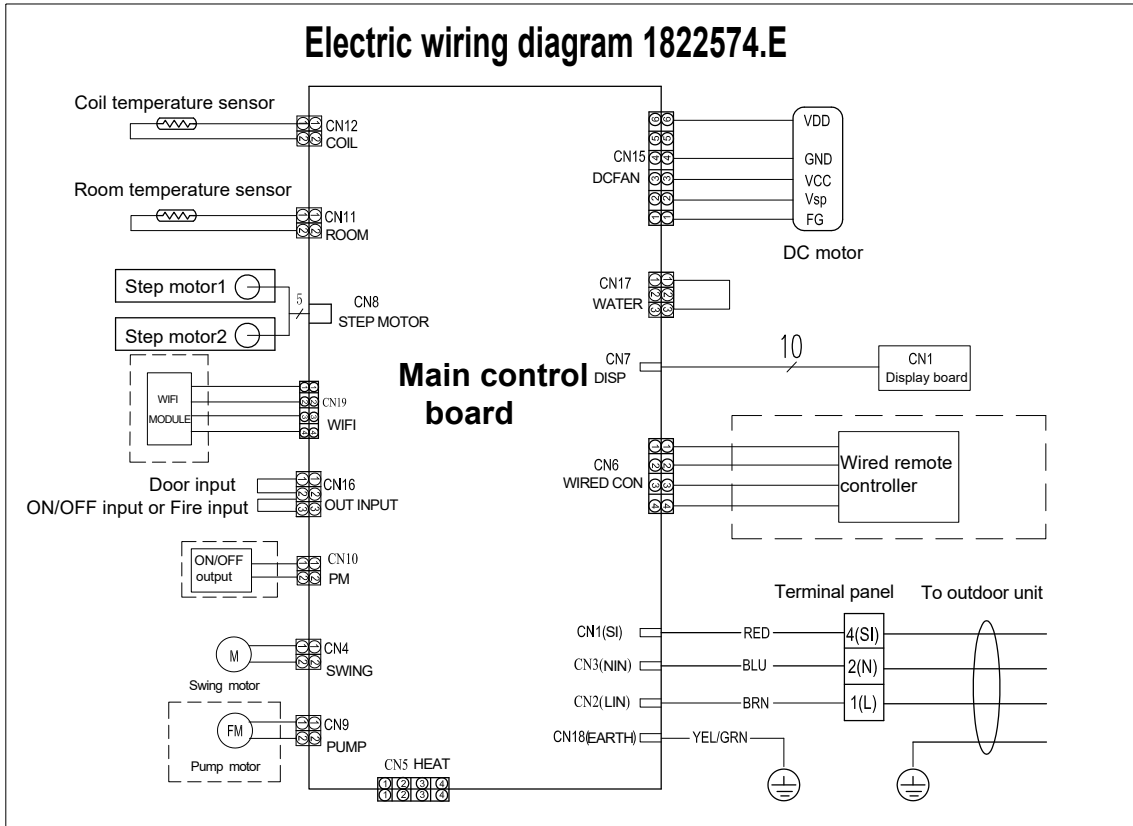
Dashed parts are not available in some models.
 For details, see the table below.

	Indoor units model	Step motor	Pump motor	WiFi module	Display board	Wired remote controller	ON/OFF output
Cassette	3.0/3.5/4.0/5.0/6.0/6.5HP	●	●		●		●

●--available part

11. WIRING DIAGRAM

Floor ceiling type (3.0/3.5/4.0HP)



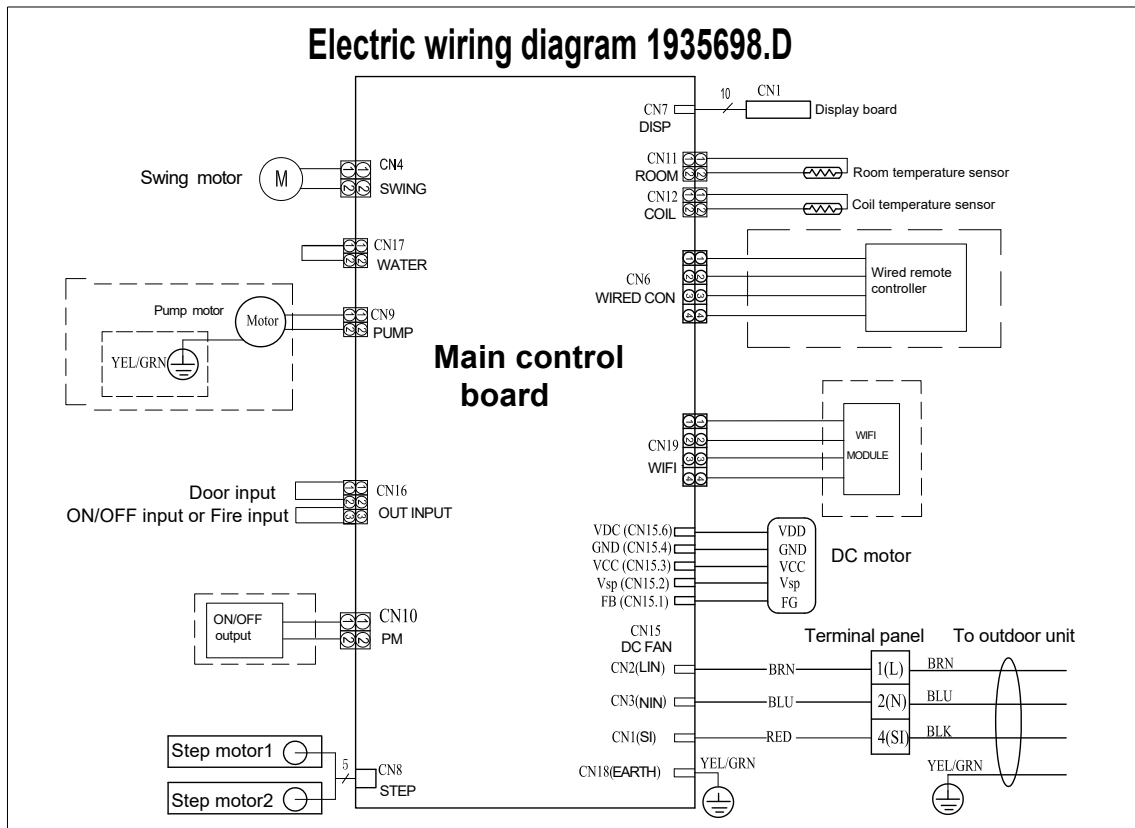
Remark:
Dashed parts are not available in some models.
For details, see the table below.

	Indoor units model	Step motor	Pump motor	WiFi module	Display board	Wired remote controller	ON/OFF output
Floor Ceiling	3.0/3.5/4.0HP	●			●		●

●--available part

11. WIRING DIAGRAM

Floor ceiling type (5.0/6.0/6.5HP)



Remark:

Dashed parts are not available in some models.
For details, see the table below.

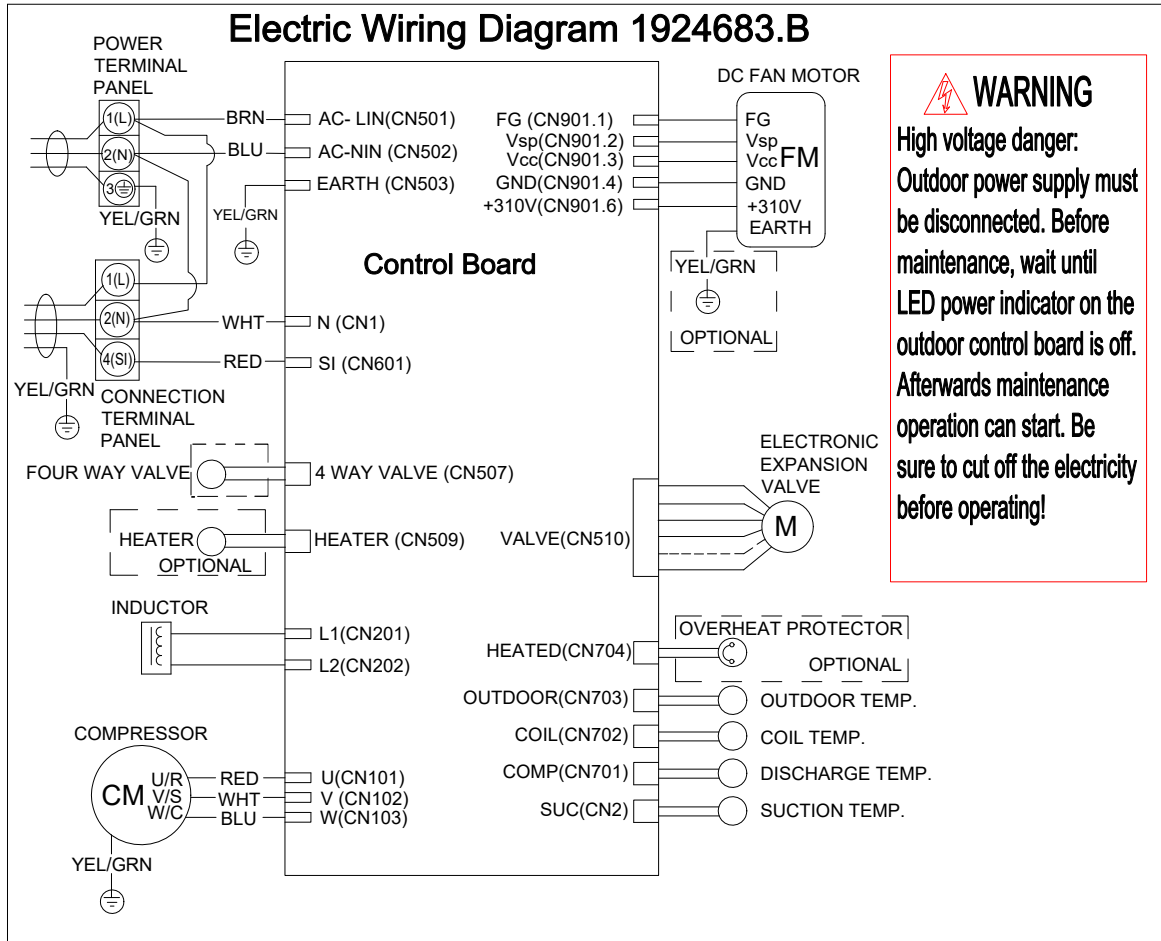
	Indoor units model	Step motor	Pump motor	WIFI module	Display board	Wired remote controller	ON/OFF output
Floor ceiling	5.0/6.0/6.5HP	●			●		●

●--available part

11. WIRING DIAGRAM

Outdoor unit

3.0/3.5HP



Remark:

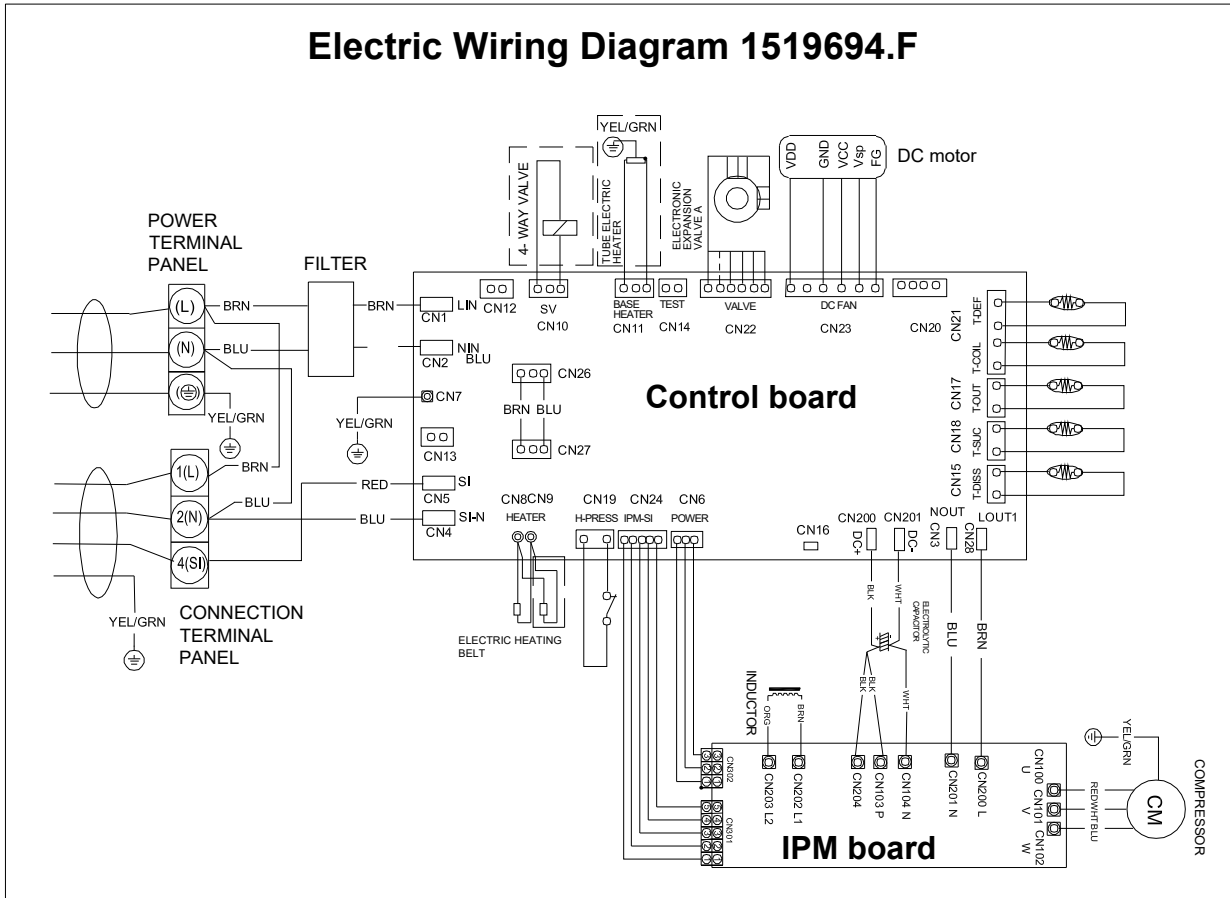
Dashed parts are not available in some models.
For details, see the table below.

Outdoor units model	Heater	Overheat protector	4-way valve	YEL/GRN
3.0/3.5HP	●		●	

●--available part

11. WIRING DIAGRAM

4.0HP



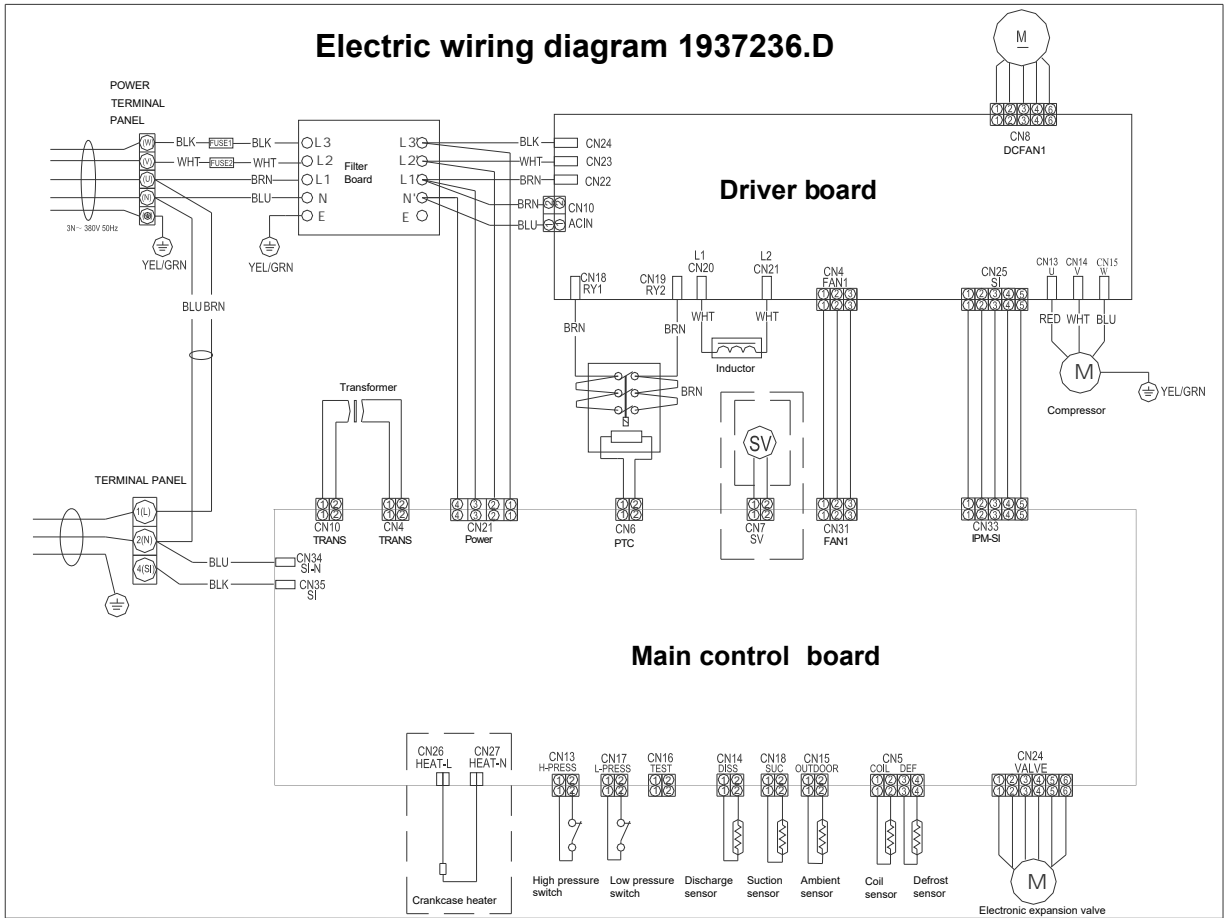
Remark:
Dashed parts are not available in some models.
For details, see the table below.

Outdoor units model	Base heater	4-way valve
4.0HP		●

●--available part

11. WIRING DIAGRAM

5.0HP (Three phase)



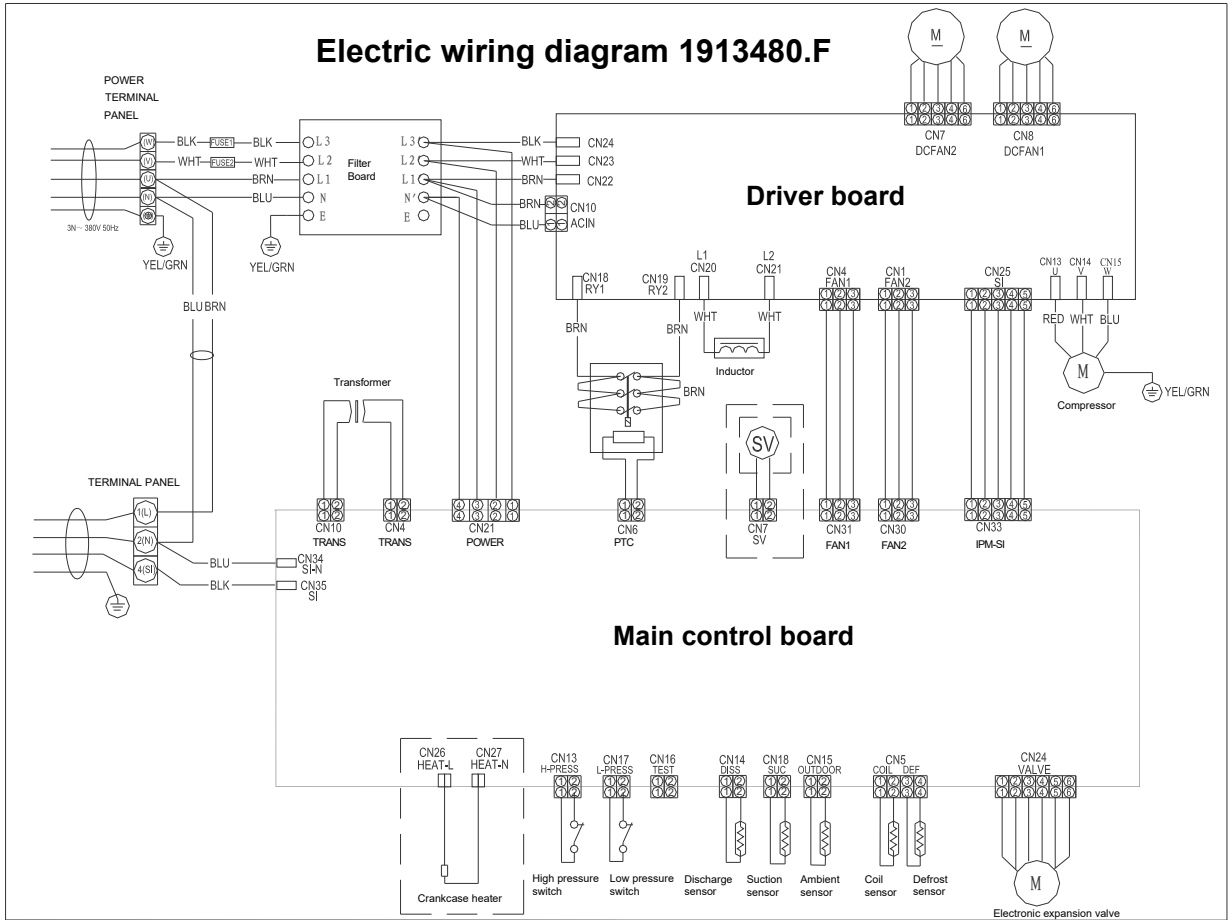
Remark:
 Dashed parts are not available in some models.
 For details, see the table below.

Outdoor units model	Crankcase heater
5.0HP	●

●--available part

11. WIRING DIAGRAM

6.0/6.5HP (Three phase)



Remark:

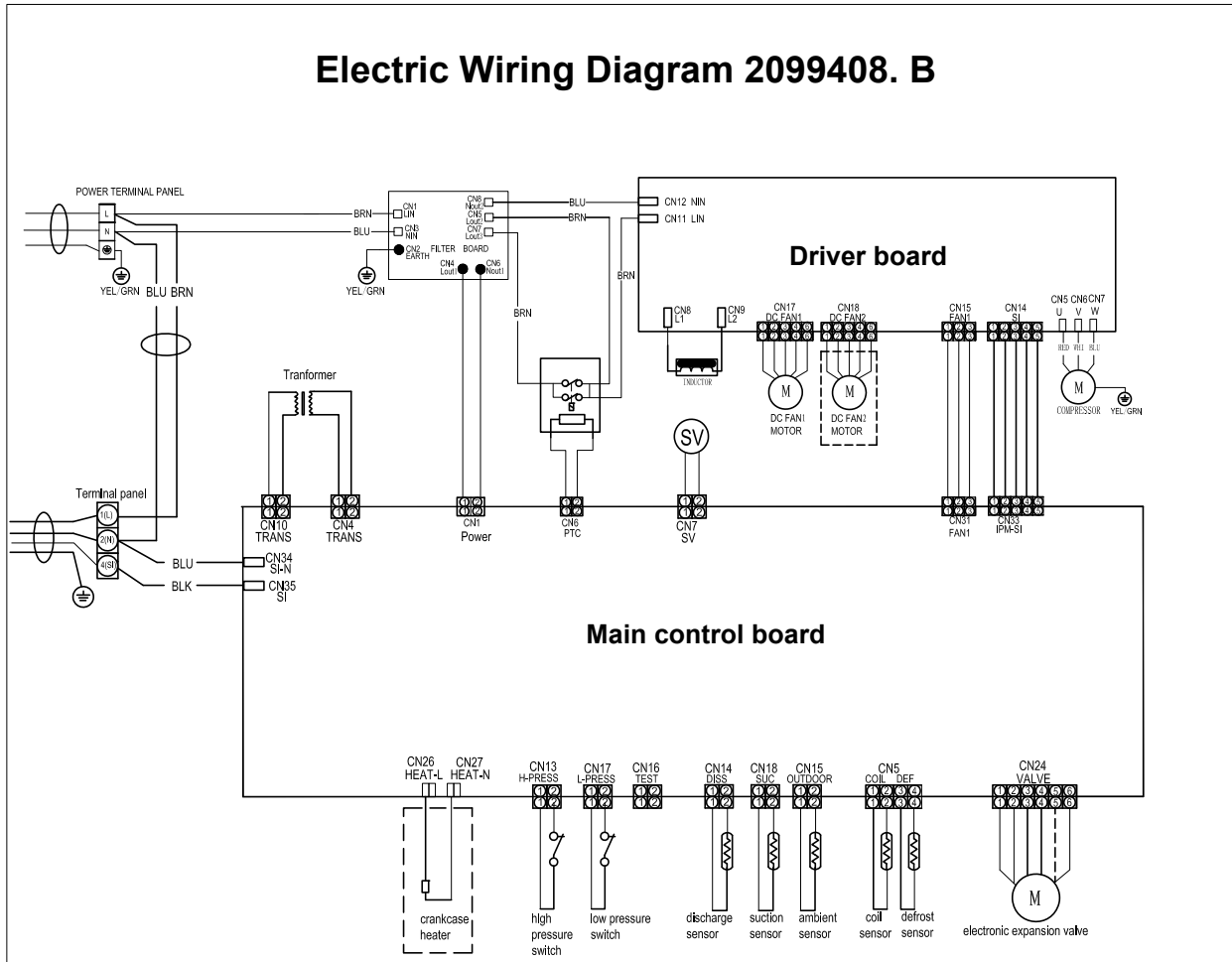
Dashed parts are not available in some models.
For details, see the table below.

Outdoor units model	Crankcase heater
6.0/6.5HP	●

●--available part

11. WIRING DIAGRAM

5.0 HP (Single phase)



Remark:

Dashed parts are not available in some models.
For details, see the table below.

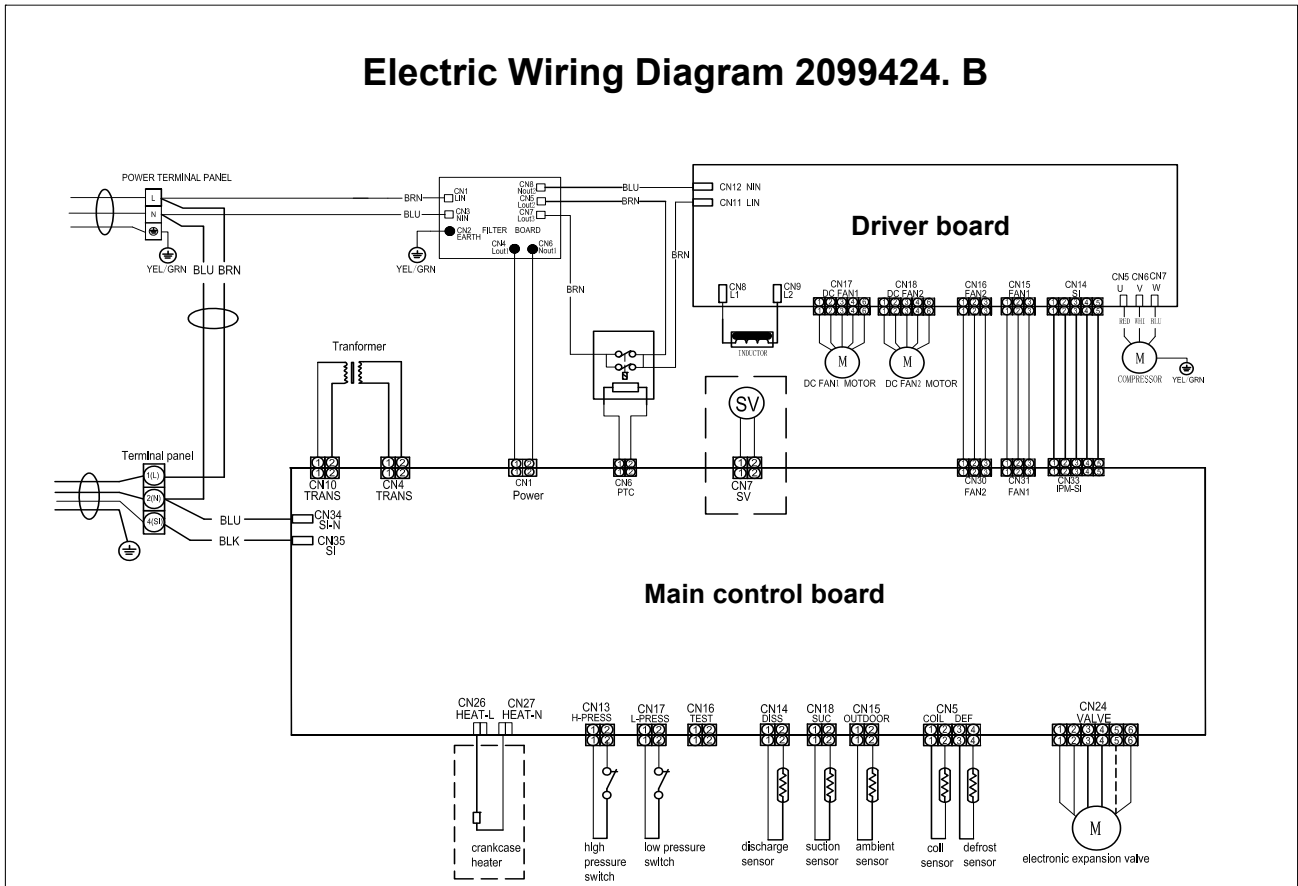
Outdoor unit model	DC FAN2 MOTOR	Crankcase heater
42K		●

● --available part

11. WIRING DIAGRAM

6.0 HP (Single phase)

Electric Wiring Diagram 2099424. B



Remark:

Dashed parts are not available in some models.

For details, see the table below.

Outdoor unit model	SV (4-way valve)	Crankcase heater
48K	●	●

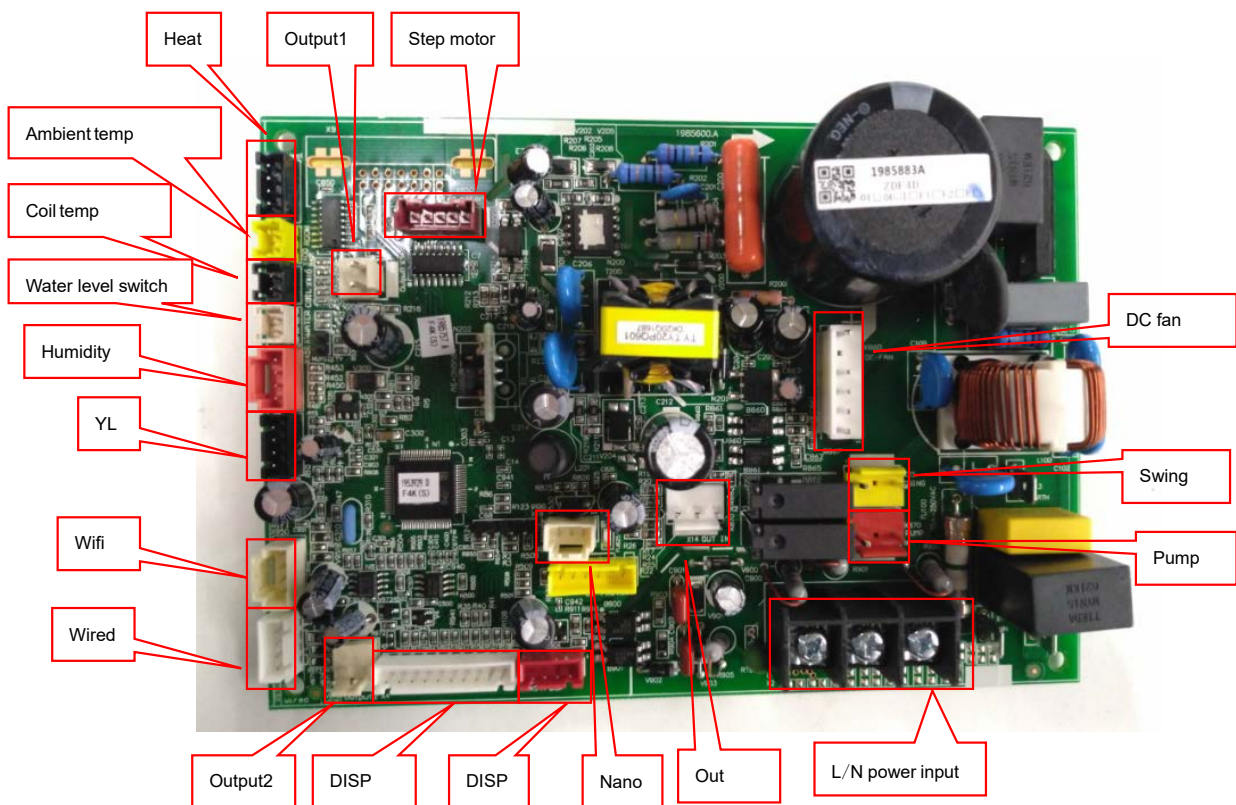
●--available part

11. WIRING DIAGRAM

11.2 Control board picture

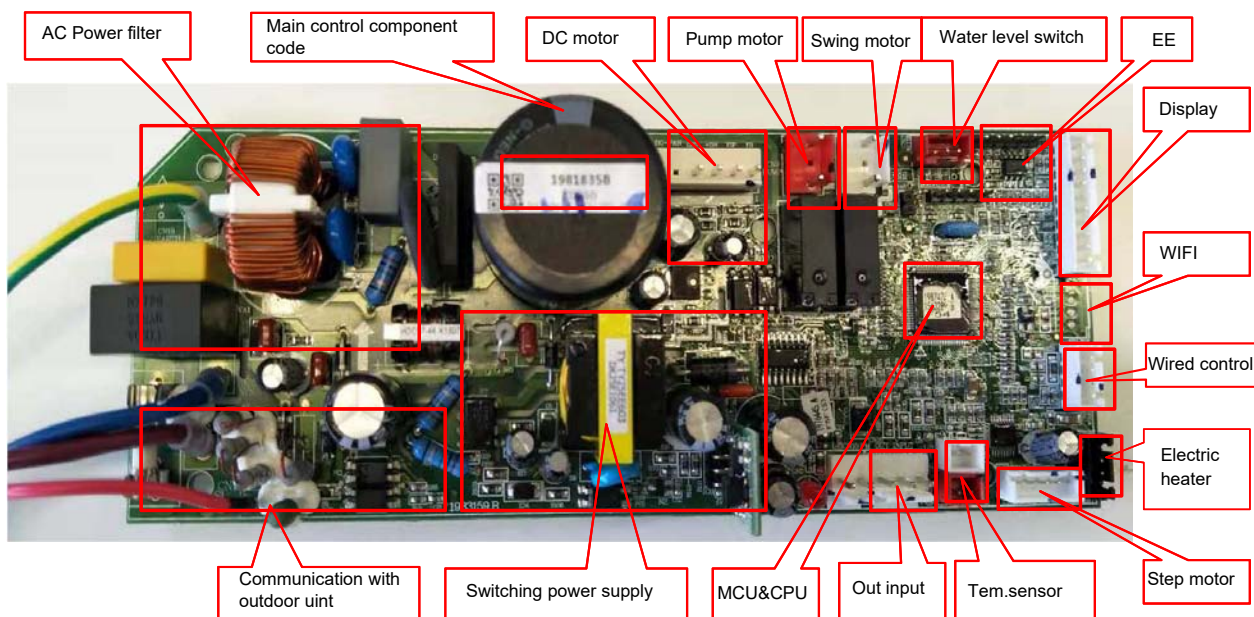
Indoor unit

3.0HP (Ducted)



3.0~6.5HP (Cassette/Floor ceiling type)

3.5~6.5HP (Ducted type)

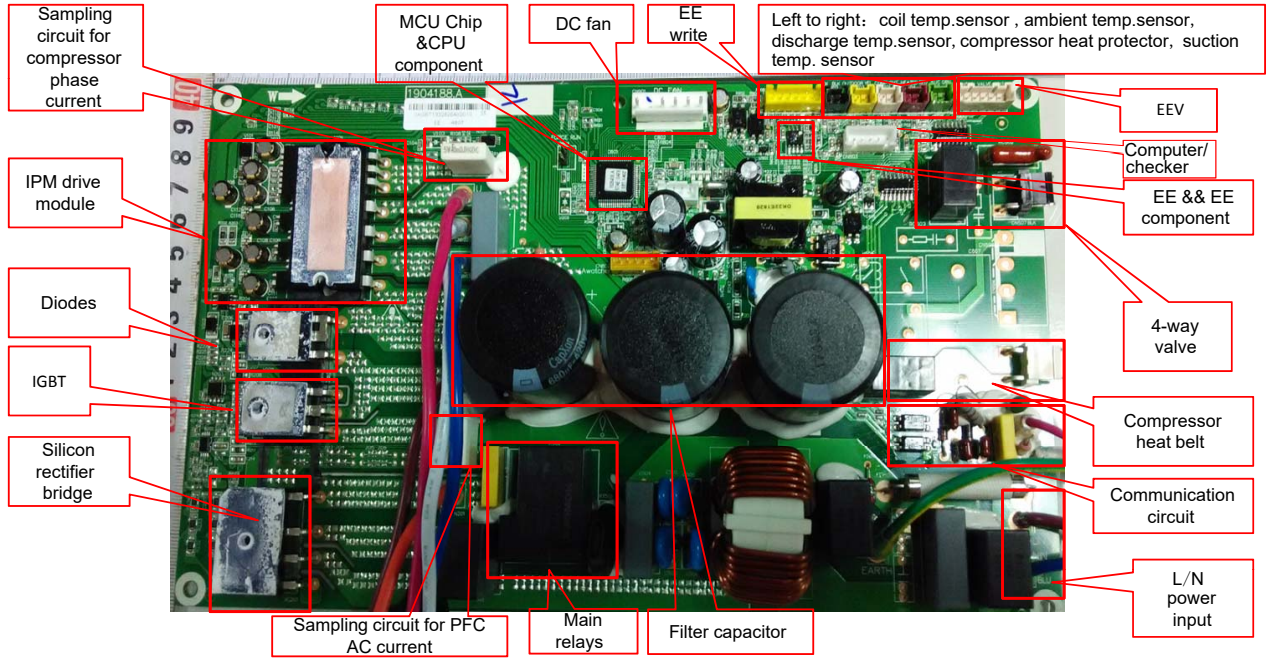


11. WIRING DIAGRAM

Outdoor unit

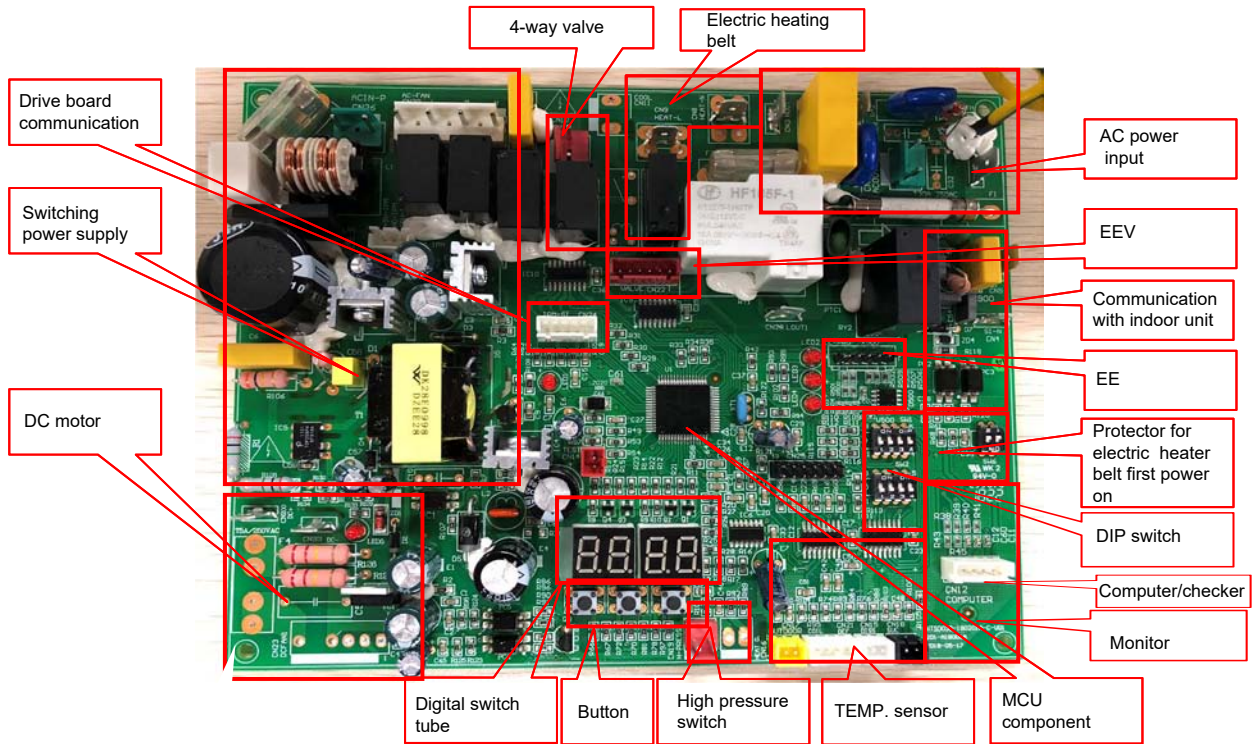
3.0/3.5HP

Control board

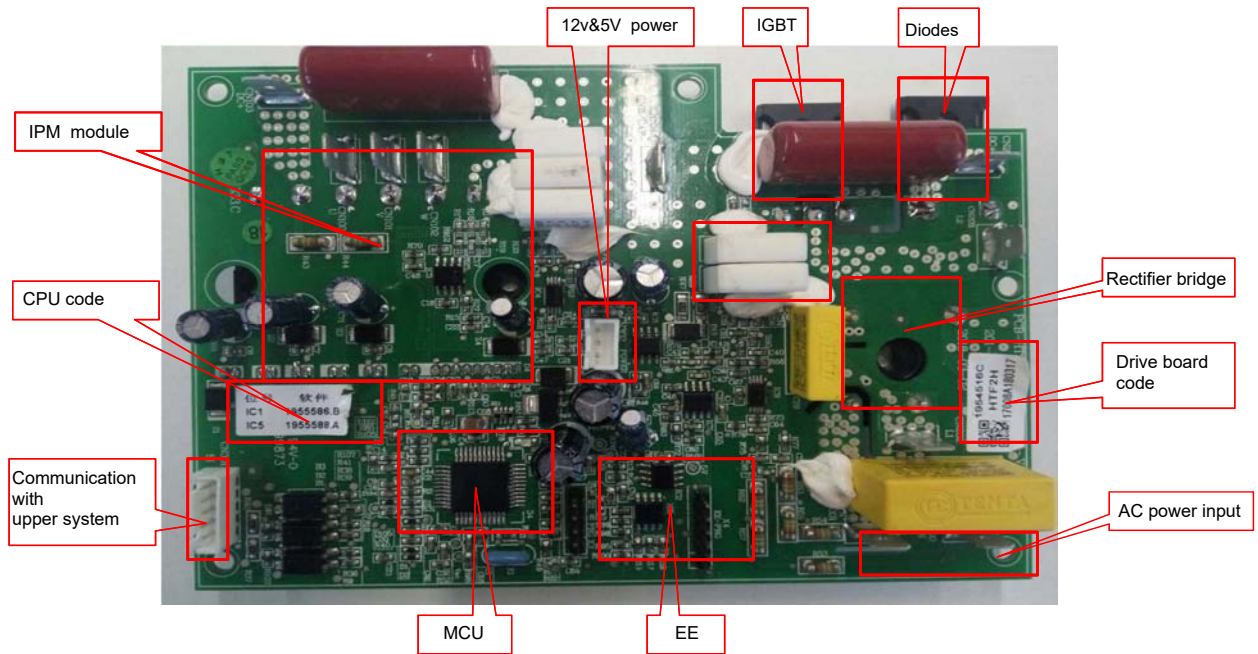


11. WIRING DIAGRAM

4.0HP
Main control board

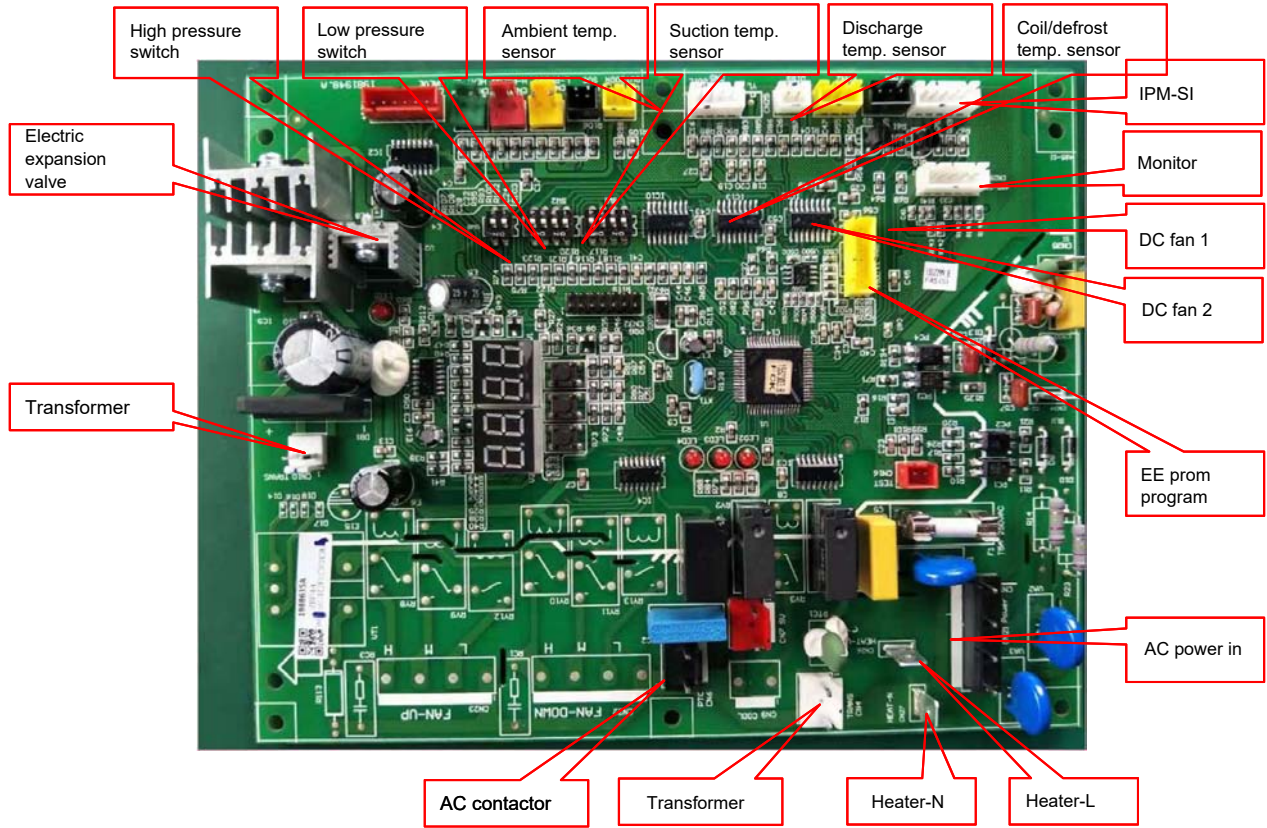


Drive board



11. WIRING DIAGRAM

5.0/6.0/6.5HP
Main control board

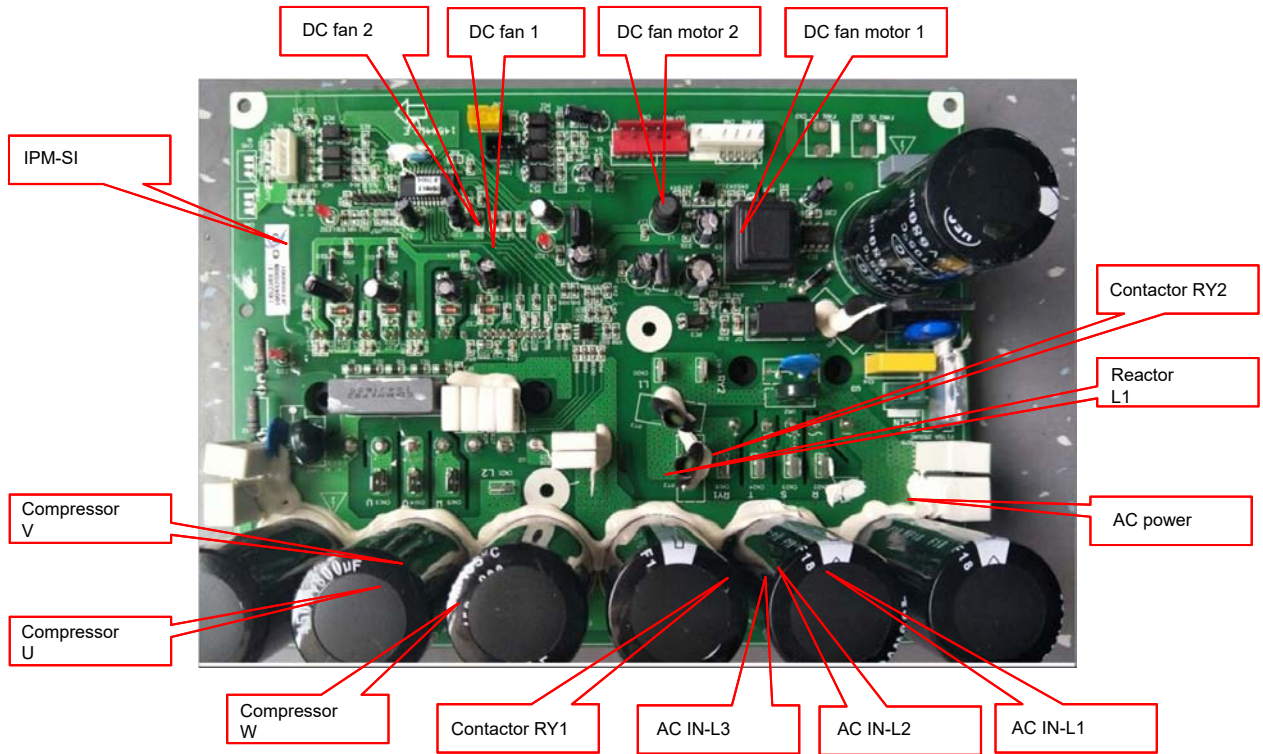


Filter board



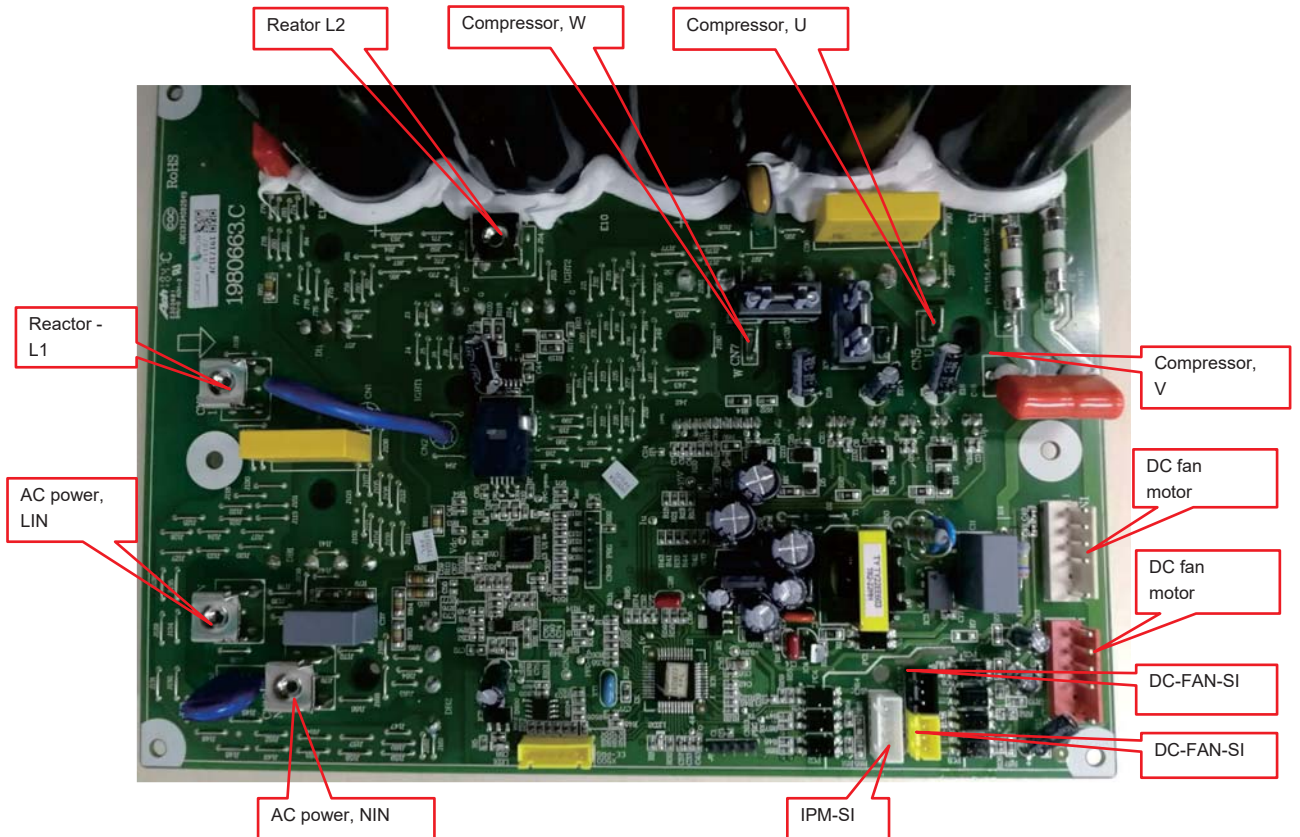
11. WIRING DIAGRAM

5.0/6.0/6.5 HP (Three phase)
Drive board



5.0/6.0 HP (single phase)

Drive board



11. WIRING DIAGRAM

11.3 Common wiring

Recommended wire size

Model	Power Supply	ELB		Power Source Cable Size	Transmission Cable Size
		Nominal Current (A)	Nominal Sensitive Current (mA)	EN 60335-1*1	EN 60335-1*1
RAS-3.0UFESNH1	220-240V ~, 50Hz	25	30	3×2.5mm ²	4×1.5mm ²
RAS-3.5UFESNH1	220-240V ~, 50Hz	25	30	3×2.5mm ²	4×1.5mm ²
RAS-4.0UFESNH1	220-240V ~, 50Hz	40	30	3×4.0mm ²	4×1.5mm ²
RAS-5.0UFESNH1	220-240V ~, 50Hz	50	30	3×6.0mm ²	4×1.5mm ²
RAS-6.0UFESNH1	220-240V ~, 50Hz	50	30	3×6.0mm ²	4×1.5mm ²
RAS-5.0UFESMH1	380-415V 3N ~, 50Hz	32	30	5×2.5mm ²	4×1.5mm ²
RAS-6.0UFESMH1	380-415V 3N ~, 50Hz	32	30	5×2.5mm ²	4×1.5mm ²
RAS-6.5UFESNH1	380-415V 3N ~, 50Hz	32	30	5×2.5mm ²	4×1.5mm ²

Max. Running Current (A): REFER TO NAMEPLATE

- Use an ELB (Electric Leakage Breaker).
- Do not operate the system until all the check points have been cleared.
 - (A) Check to ensure that the insulation resistance is more than 2 Mega Ohm, by measuring the resistance between ground and the terminal of the electrical parts. If not, do not operate the system until the electrical leakage is found and repaired.
 - (B) Check to ensure that the stop valves of the outdoor unit are fully opened and then start the system.
- Pay attention to the following items while the system is running.
Do not touch any of the parts by hand at the discharge gas side, since the compressor chamber and the pipes at the discharge side are heated higher than 90°C.

NOTE:

- (1) Follow local codes and regulations when selecting field wires, and all the above are the minimum wire size.
- (2) Use the wires which are not lighter than the ordinary polychloroprene sheathed flexible cord. (Cord designation H07RN-F).
- (3) The wire sizes marked with *1 in the above table are selected at the maximum current of the unit according to the European Standard, EN60335-1.
- (4) When transmission cable length is more than 15 meters, a larger wire size should be selected.
- (5) Install main switch and ELB for each system separately. Select the high response type ELB that is acted within 0.1 second. For recommended capacity, see outdoor machine switch capacity.
- (6) In the case that power cables are connected in series, add each unit the maximum current and select wires below.

Selection According to EN60335-1

Current i(A)	Wire Size(mm ²)
i≤6	0.75
6<i≤10	1
10<i≤16	1.5
16<i≤25	2.5
25<i≤32	4
32<i≤40	6
40<i≤63	10
63<i	*

* In the case that current exceeds 63A, do not connect cables in series.

12. FIELD SETTING

12.1 Outdoor unit DIP switch

DIP Switch Setting of Outdoor Unit (4.0~6.5HP)

Turn off all power sources before setting. Without turning off, the switches settings are not refreshed and might be invalid. Mark of "■" indicates the position of DIP switches.

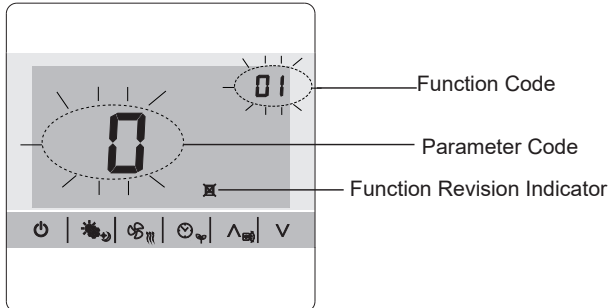
Setting is required

SW2-1	Refrigerant Piping Length Setting	SW2-4	Refrigerant Collection						
<div style="border: 1px solid black; padding: 5px; margin-bottom: 10px;">Setting is required</div> <table border="1" style="width: 100%; border-collapse: collapse;"> <thead> <tr> <th colspan="2" style="text-align: center;">Actual Piping Length L(m)</th> </tr> <tr> <th style="width: 50%; text-align: center;">L<15</th> <th style="width: 50%; text-align: center;">15≤L<Max. length allowed</th> </tr> </thead> <tbody> <tr> <td style="vertical-align: top;"> Setting before shipment ON <input type="checkbox"/> <input type="checkbox"/> <input type="checkbox"/> <input type="checkbox"/> OFF <input checked="" type="checkbox"/> <input checked="" type="checkbox"/> <input checked="" type="checkbox"/> <input checked="" type="checkbox"/> <div style="display: flex; justify-content: space-around; width: 100%;"> 1234 </div> </td> <td style="vertical-align: top;"> ON <input checked="" type="checkbox"/> <input type="checkbox"/> <input type="checkbox"/> <input type="checkbox"/> OFF <input type="checkbox"/> <input checked="" type="checkbox"/> <input checked="" type="checkbox"/> <input checked="" type="checkbox"/> <div style="display: flex; justify-content: space-around; width: 100%;"> 1234 </div> </td> </tr> </tbody> </table> <p>After setting refrigerant piping length DIP switch, cooling/heating performance can be improved.</p>	Actual Piping Length L(m)		L<15	15≤L<Max. length allowed	Setting before shipment ON <input type="checkbox"/> <input type="checkbox"/> <input type="checkbox"/> <input type="checkbox"/> OFF <input checked="" type="checkbox"/> <input checked="" type="checkbox"/> <input checked="" type="checkbox"/> <input checked="" type="checkbox"/> <div style="display: flex; justify-content: space-around; width: 100%;"> 1234 </div>	ON <input checked="" type="checkbox"/> <input type="checkbox"/> <input type="checkbox"/> <input type="checkbox"/> OFF <input type="checkbox"/> <input checked="" type="checkbox"/> <input checked="" type="checkbox"/> <input checked="" type="checkbox"/> <div style="display: flex; justify-content: space-around; width: 100%;"> 1234 </div>	<div style="display: flex; align-items: center; justify-content: center;"> <div style="margin-right: 20px;"> ON <input type="checkbox"/> <input type="checkbox"/> <input type="checkbox"/> <input type="checkbox"/> OFF <input checked="" type="checkbox"/> <input checked="" type="checkbox"/> <input checked="" type="checkbox"/> <input checked="" type="checkbox"/> <div style="display: flex; justify-content: space-around; width: 100%;"> 1234 </div> </div> <div style="margin-right: 20px;">→</div> <div> ON <input type="checkbox"/> <input type="checkbox"/> <input type="checkbox"/> <input checked="" type="checkbox"/> OFF <input checked="" type="checkbox"/> <input checked="" type="checkbox"/> <input checked="" type="checkbox"/> <input type="checkbox"/> <div style="display: flex; justify-content: space-around; width: 100%;"> 1234 </div> </div> </div>		
Actual Piping Length L(m)									
L<15	15≤L<Max. length allowed								
Setting before shipment ON <input type="checkbox"/> <input type="checkbox"/> <input type="checkbox"/> <input type="checkbox"/> OFF <input checked="" type="checkbox"/> <input checked="" type="checkbox"/> <input checked="" type="checkbox"/> <input checked="" type="checkbox"/> <div style="display: flex; justify-content: space-around; width: 100%;"> 1234 </div>	ON <input checked="" type="checkbox"/> <input type="checkbox"/> <input type="checkbox"/> <input type="checkbox"/> OFF <input type="checkbox"/> <input checked="" type="checkbox"/> <input checked="" type="checkbox"/> <input checked="" type="checkbox"/> <div style="display: flex; justify-content: space-around; width: 100%;"> 1234 </div>								

12. FIELD SETTING

12.2 ESP setting (Ducted type only)

The static pressure can be freely adjusted by using specific wired remote controller.



HCWA21NEWH

Model	The Range of Static Pressure	Function Code Set
3.0HP	0-40Pa	0-40, function code value equals static pressure value, more than 40 is 40 Pa, [default: 0 (25Pa)]
3.5/4.0HP	0-120Pa	0-120, function code value equals static pressure value, more than 120 is 120 Pa, [default: 0 (37Pa)]
5.0/6.0/6.5HP	0-120Pa	0-120, function code value equals static pressure value, more than 120 is 120 Pa, [default: 0 (50Pa)]

Static Pressure Setting (HCWA21NEWH):

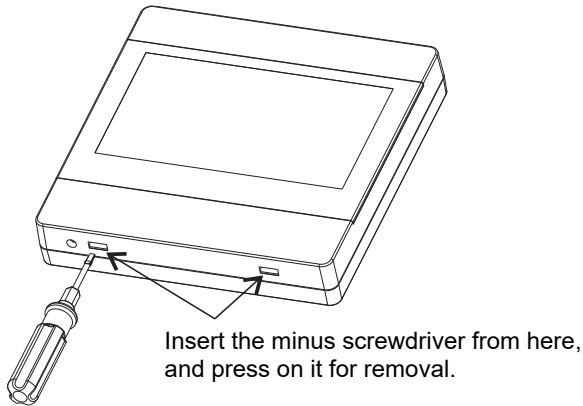
- 1 Press and hold both “”, “” & “” buttons for 5 seconds, symbol “” and parameter code start blinking at the same time.
- 2 Press “/ ” button to adjust parameter number until “17” is displayed, and press “” button to enter system parameter adaption state, symbol stops blinking.
- 3 Select desired parameter code 10 by pressing “/ ” button, and press “” button to confirm.
- 4 Select desired function code to rewrite the parameter values by pressing “/ ” button, and press “” button to confirm.
- 5 Press “” button to quit.

12. FIELD SETTING

12.3 Indoor unit parameter revision

1) Connecting wired controller with the indoor unit

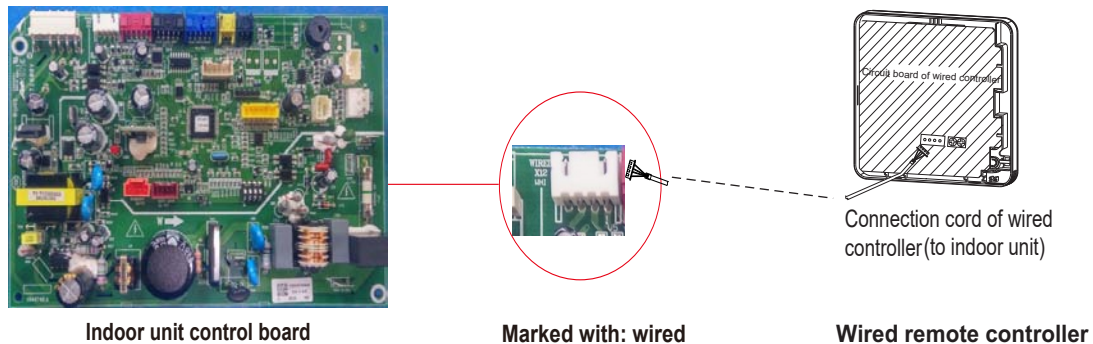
Step 1: Remove the upper cover of the wired controller



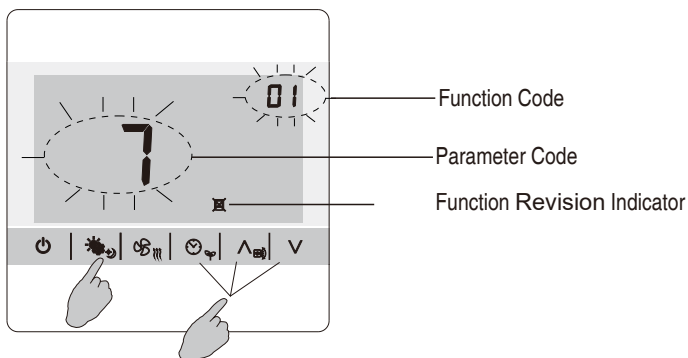
NOTE:

Control board of the remote controller is placed on upper cover. Please protect it from being scratched during removal and installation!

Step 2: Connect the wired controller with the indoor unit



2) Changing system parameter



Operation:

- 1 Press and hold both “☺☼”, “^” and “V” buttons for 5 seconds, symbol “☒” and parameter code start blinking at the same time.
- 2 Press “^/V” button to adjust parameter number until “17” is displayed, and press “☼” button to enter system parameter adaption state, symbol “☒” stops blinking.
- 3 Select desired parameter code following the table below by pressing “^/V” button, and press “☼” button to confirm.
- 4 Select desired function code to rewrite the parameter values by pressing “^/V” button, and press “☼” button to confirm.
- 5 Press “☺” button to quit.

12. FIELD SETTING

PARAMETER CODE	PARAMETER DESCRIPTION	PARAMETER VALUE&REPRESENTATION		NOTE
		DATA TYPE	REPRESENTATION (FUNCTION CODE)	
1	Self Recovery of Power Break	Integer	0: Cancel Self Recovery of Power Break function; 1: Self Recovery of Power Break; others: invalid	
2	Temperature Type	Integer	0: Centigrade Temperature; 1: Fahrenheit Temperature; others: invalid	
3	Temperature Display Type	Integer	0: Default display set temperature; 1: Default display room temperature; others: invalid	
4	Ratio of ambient temperature sensed by indoor temperature sensor(cooling mode)	Integer	0~10valid, more than 10 default is10 0: 0%; 1: 10%; ...; 10: 100%	0-entirely use temperature sensed by wired remote controller; 10-entirely use temperature sensed by indoor unit
5	Filter Clean Indication	Integer	0: Cancel Filter Clean prompt function; 1: Set Filter Clean prompt function; others: invalid	
6	Filter Clean Time Set	Integer	0~32, more than 32 default is 32*1000h	
7	Installation Height Compensation	Integer	0~10m, more than 10m default is 10. =0,1,2 :no fan speed compensation; =3: increase fan speed; =4~10: increase more fan speed.	
8	Cooling Temperature Compensation (indoor unit temperature sensor)	Integer	0 : 0°C ; 1 : -0.5°C ; 2 : -1°C ; 3 : -1.5°C ; 4 : -2°C ; 5 : -2.5°C ; 6 : -3°C ; 7 : -3.5°C ; 8 : -4°C ; 9 : -4.5°C ; 10 : -5°C.(the wired controller displays integer with the symbol)	
9	Heating Temperature Compensation (indoor unit temperature sensor)	Integer	0 : 0°C ; 1 : -0.5°C ; 2 : -1°C ; 3 : -1.5°C ; 4 : -2°C ; 5 : -2.5°C ; 6 : -3°C ; 7 : -3.5°C ; 8 : -4°C ; 9 : -4.5°C ; 10 : -5°C. (the wired controller displays integer with the symbol)	
10	Static Pressure Set	Integer	1~240, function code=static pressure more than the limit static pressure default the limit static pressure, Default is 0 (default static pressure, related to models)	Duct type (DC motor)
12	Ratio of temperature sensed by indoor temperature sensor(Heating mode)	Integer	0~10valid, more than 10 default is10 0: 0%; 1: 10%; ...; 10: 100%	0-entirely use temperature sensed by wired remote controller; 10-entirely use temperature sensed by indoor unit
13	Temperature Adjustment-Cooling	Character	-10~10°C (Single Character with symbol)	Temperature displayed on wired controller
14	Temperature Adjustment-Heating	Character	-10~10°C (Single Character with symbol)	Temperature displayed on wired controller
25	Access control, fire protection, ON/OFF function set	Integer	=0, Access control, fire protection functions are all invalid; =1, Access control function is valid; =2, fire protection function is valid; =3, Access control, fire protection are all valid; =4, ON/OFF function is valid.	

12. FIELD SETTING

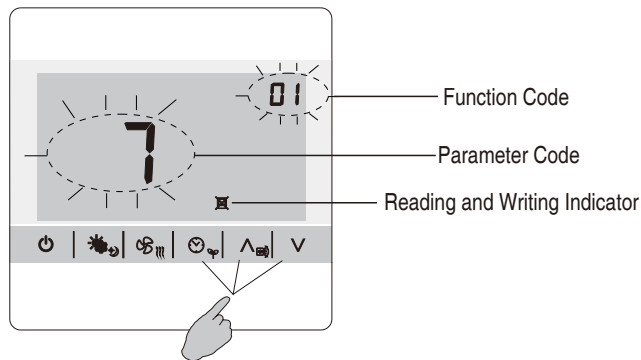
12.4 Running parameter query

Running parameter can be referred to by 7 segment display or specified wired remote controller.

Query by wired remote controller

Operation:

1. Connect wired remote controller with indoor unit (same method with Indoor unit parameter revision)
2. Change the system parameter



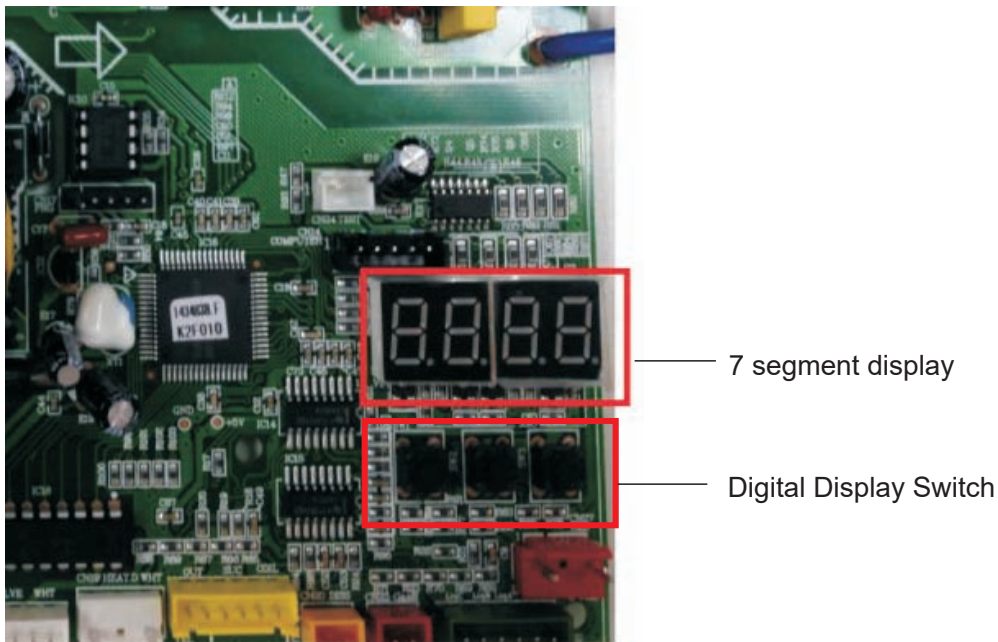
Operation: (HCWA21NEWH)

- 1 Press and hold both “☺”, “^” and “V” buttons for 5 seconds, symbol “☒” and parameter code starts blinking at the same time.
- 2 Press “^/V” button to select parameter number as you need, and parameter value will be displayed on the LCD.

Parameter Code	Parameter Description
06	Indoor unit air inlet temperature
07	Indoor unit coil sensor temperature
08	Outdoor unit ambient sensor temperature
09	Discharge temperature
10	Suction temperature
11	Outdoor coil temperature
12	Discharge pressure
13	Suction pressure
14	Outdoor EEV opening
15	AC current input
16	AC voltage
24	Error code
25	Drive error code
26	Indoor unit air outlet temperature
28	Compressor current
29	Indoor unit room temperature
30	Indoor unit coil inlet temperature
31	Indoor unit coil outlet temperature
32	Outdoor unit condenser inlet temperature
33	Outdoor unit condenser outlet temperature
43	Outdoor unit defrost temperature
57	Outdoor fan 1 speed
58	Outdoor fan 2 speed
60	Indoor fan speed

12. FIELD SETTING

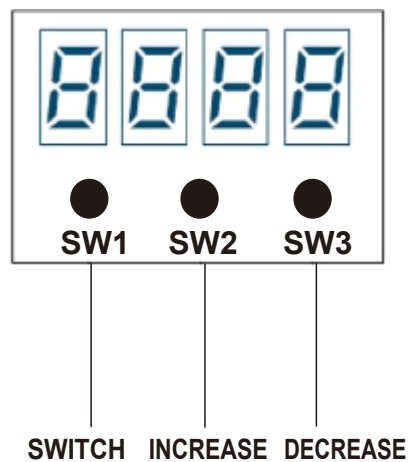
Query by 7 segment display



DC-Inverter outdoor control board

7 segment display Introduction

It can be used to check outdoor running parameters.



There are 3 buttons on the digital display board :

- 1) SWITCH button : Indoor parameters and outdoor parameters can be selected in turn by pressing it.
"P."-outdoor unit parameter , "H."-indoor unit parameter ;
- 2) INCREASE button : Each time it is pressed, the number rises by 1, hold down it, the number will be rapidly increased;
- 3) DECREASE button : Each time it is pressed, the number lowers by 1, hold down it, the number will be rapidly decreased.
- 4) The parameters will be displayed after 3s when the checking numbers are selected.

12. FIELD SETTING

Parameters can be checked in the following table below.

Parameter code	Descriptions
0	Protection Code or Fault code
P.1	Target Frequency
P.2	Driving Frequency
P.4	Outdoor EEV Opening
P.5	Outdoor EEV Target Opening
P.6	Upper DC Motor Revolving Speed
P.8	AC Input Voltage
P.9	Current
P.10	Modular Temperature
P.11	Capacity Needed
P.12	Modular Fault
P.20	Outdoor Ambient Temperature
P.21	Outdoor Coil Temperature
P.22	Outdoor Defrost Temperature
P.23	Suction Temperature
P.24	Discharge Temperature
H.1	Indoor Unit Fault
H.2	Indoor Ambient Temperature
H.3	Indoor Coil Temperature
H.4	Indoor Setting Temperature

12. FIELD SETTING

12.5 Instructions for the function setting of access control, fire protection

12.5.1 Factory setting

In case of using or canceling the access control / fire protection function, use the wired controller to modify the parameters of indoor unit.

NOTE: please refer to "Site Setting" section in TC Manual for how to use the wired controller to modify the parameters of indoor unit.

12.5.2 Function introduction

(1) Access control: a kind of control mode to control the machine startup & shutdown based on the ON& OFF state of the access control port.

(2) Fire protection: a kind of control mode to control the machine startup & shutdown based on the ON & OFFstate of the fire protection port.

12.5.3. Function setting

(1) Hardware connection

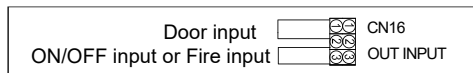


Figure 1 electrical wiring diagram



Figure 1 short wiring



Figure 3 main control board

3 pins of the OUT INPUT CN16 socket shown in the electrical wiring diagram of Figure 1 are tacitly approved to be in short circuit state under the factory state (an external short circuit plug shown as Figure 2), and the OUT INPUT CN16 socket of main control board is shown as Figure 3.

(Illustration: the socket number in circuit is subject to the actual serial number of PCB.)

- 1) When using the door lock function, the user cuts off the red short wire shown in Figure 2 and accesses the door lock control switch (supplied by user), and the connecting wire should be 22AWG or above specification. The door lock switch is closed under normal conditions and off under abnormal conditions.
- 2) When using the fire protection function, the user cuts off the white short wire shown in Figure 2 and accesses the fire protection control switch (supplied by user), and the connecting wire should be 22AWG or above specification. The protection control switch is closed under normal conditions and off under abnormal conditions.

(2) Timing sequence description:

Access control:

- 1) Control of entrance card disconnection: the air conditioner shall be shut down after the access control signal is disconnected for 30 seconds. In this state, the indoor unit can't be started. If the user performs starting operation, the wired controller shall not respond and displays power-off.

12. FIELD SETTING

2) Control of entrance card connection: after the short circuit of entrance card interface, release power-on restrictions, the wire controller maintains power-off and the startup & shutdown control is effective.

(2) Fire protection

1) Access to fire protection: the air conditioner shall be shut down and not blow waste cold or warm air after the access control signal is disconnected for 3 seconds. In this state, the indoor unit can't be started. If the user performs starting operation, the wire controller shall not respond and displays power-off.

2) Cancellation of fire protection: after the short circuit of fire protection signal, release power-on restrictions, the wire controller maintains power-off and the startup & shutdown control is effective.

3.3 Relative priorities of instructions

Access control and fire prevention functions shall not affect each other.

NOTE:

Figures in the manual are only simple representation of the control board, it may not comply with the appearance that you purchased.

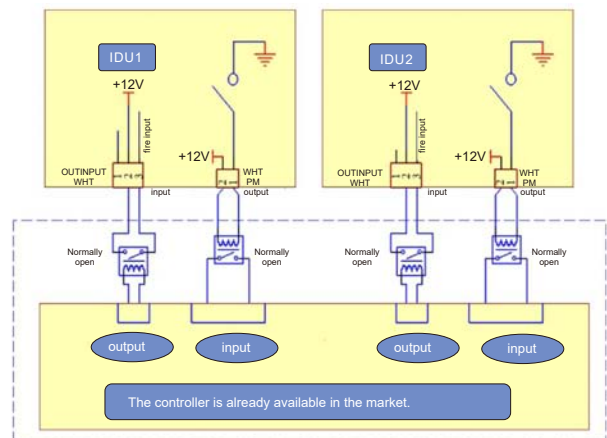
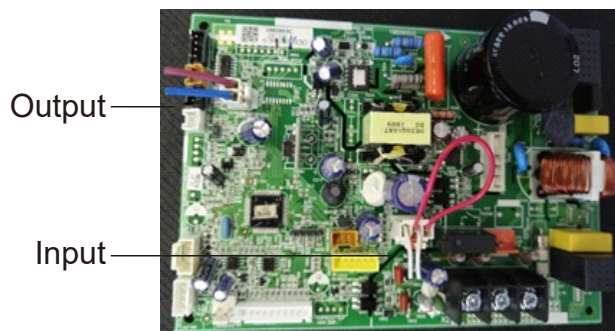
12. FIELD SETTING

12.6 Instructions for the function setting of ON/OFF

- (1) The factory setting of access control and fire protection functions of the IDU are activated, while On/off functions are switched off. During on-site installation, access control and fire protection are available when you connect the corresponding cables correctly.
- (2) The On/off function can switch on or off the air conditioner by a third-party controller, and activates the On/off function by setting the relevant parameters of the wired controller. When the On/off function is activated, the access control and fire protection functions will be disabled. On/off switch has the highest priority. Once started up by on/off switch, the unit will not be able to be switched off by wired controller or remote-controller. Once power off by on/off switch, the unit will not be able to be started up by wired controller, remote-controller. But other functions are still available by using wired controller, remote-controller.
- (3) There are 3 different IDU control boards in figure 1, figure 2, all of them have corresponding hardware ports with access control, fire protection and On/off functions. On/off function signal INPUT port is the original fire function signal INPUT port (white cable), as shown in figure 1, figure 2. The unit will be started up when the white cable is connected, and the unit will be shut down when the white cable is disconnected. If other functions such as setting mode and temperature are needed, it should be realized by wired controller, remote-controller. The OUTPUT terminal in figure 1, figure 2 outputs 12V DC voltage signal (blue line is positive and brown line is negative) to a third-party controller when the unit has fault. And OUTPUT terminal in figure 1, figure 2 and will not OUTPUT the signal when there is no fault.

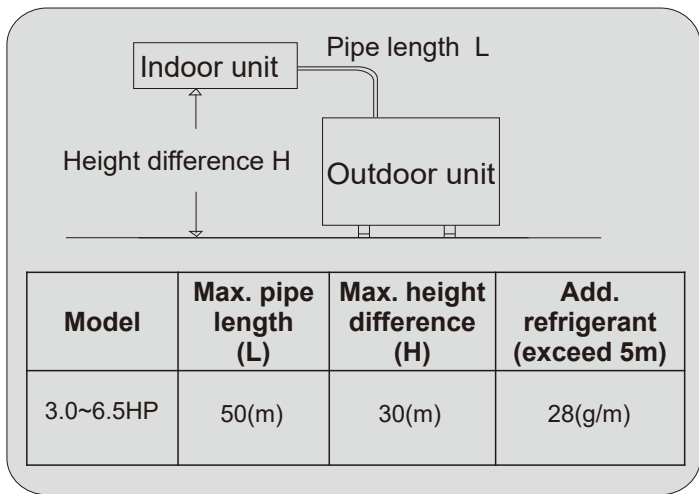


Output Input



13. PIPING WORK AND REFRIGERANT CHARGE

13.1 MAX.length allowed

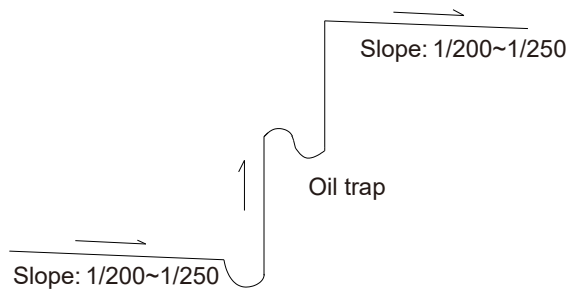


Additional refrigerant charge

The unit has been filled with refrigerant, but if the pipe exceeds 5m, additional refrigerant (R32) charge is required. Additional refrigerant charge = $(L-5) \times 28g/m$

13.2 Oil trap

When the indoor unit is lower than outdoor unit and height difference is larger than 5m, set an oil trap every 5m (height difference) on suction piping.



NOTE:

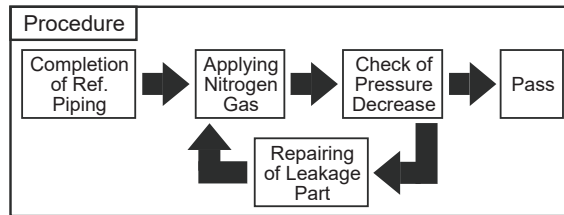
- 1) To avoid storing too much oil in the oil trap, the oil trap should be as short as possible.
- 2) The horizontal piping should slope down along the refrigerant flow direction, to bring the oil back to compressor, the slope is about 1/200 to 1/250.
- 3) In order to ensure cooling/heating performance better, the refrigerant piping should be as short and straight as possible.

13. PIPING WORK AND REFRIGERANT CHARGE

13.3 Air tight test

Do use nitrogen when performing air-tight test.

Connect the gauge manifold using charging hoses with a nitrogen cylinder to the check joints of the liquid line and the gas line stop valves. Perform the air-tight test. Don't open the gas line stop valves. Apply nitrogen gas pressure of 4.3MPa. Check for any gas leakage at the flare nut connections, or brazed parts by gas leak detector or foaming agent. It is OK if gas pressure does not decrease. After the air tight test, release nitrogen gas.



Air tight procedure

13.4 Additional refrigerant charge

Although refrigerant has been charged into this unit, additional refrigerant charge is required according to the piping length.

- The additional refrigerant precharge quantity should be determined and charged into the system according to the following procedure.
- Record the additional refrigerant quantity in order to facilitate maintenance and servicing activities.

Refrigerant charge before shipment (W0 (kg))

W0 is the outdoor unit refrigerant charge before shipment;

Xg is additional refrigerant outdoor unit needed to charge according to piping length during installation.

Model	Refrigerant precharged before shipment(W0(g))	Total refrigerant pipe length	
		0m~5m	Long than 5m
3.0HP	1400	0g	$Xg = 28g / m \times (\text{Total pipe length}(m) - 5)$
3.5HP	1450	0g	
4.0HP	2000	0g	
5.0HP	2500	0g	
6.0HP	3000	0g	
6.5HP	3400	0g	

14. INSTALLATION TOOLS AND INSTALLATION FLOW CHART

14.1 Necessary tools and instrument list for installation

No.	Tool	No.	Tool	No.	Tool	No.	Tool
1	Handsaw	6	Copper Pipe Bender	11	Spanner	16	Leveler
2	Phillips Screwdriver	7	Manual Water Pump	12	Charging Cylinder	17	Clamper for Solderless Terminals
3	Vacuum Pump	8	Pipe Cutter	13	Gauge Manifold	18	Hoist (for Indoor Unit)
4	Refrigerant Gas Hose	9	Brazing Kit	14	Cutter for Wires	19	Ammeter
5	Megohmmeter	10	Hexagon Wrench	15	Gas Leak Detector	20	Voltage Meter

Use specified tools and measuring instruments only for the new refrigerant.

◇: Interchangeability is available with R410A

●: Only for Refrigerant R32

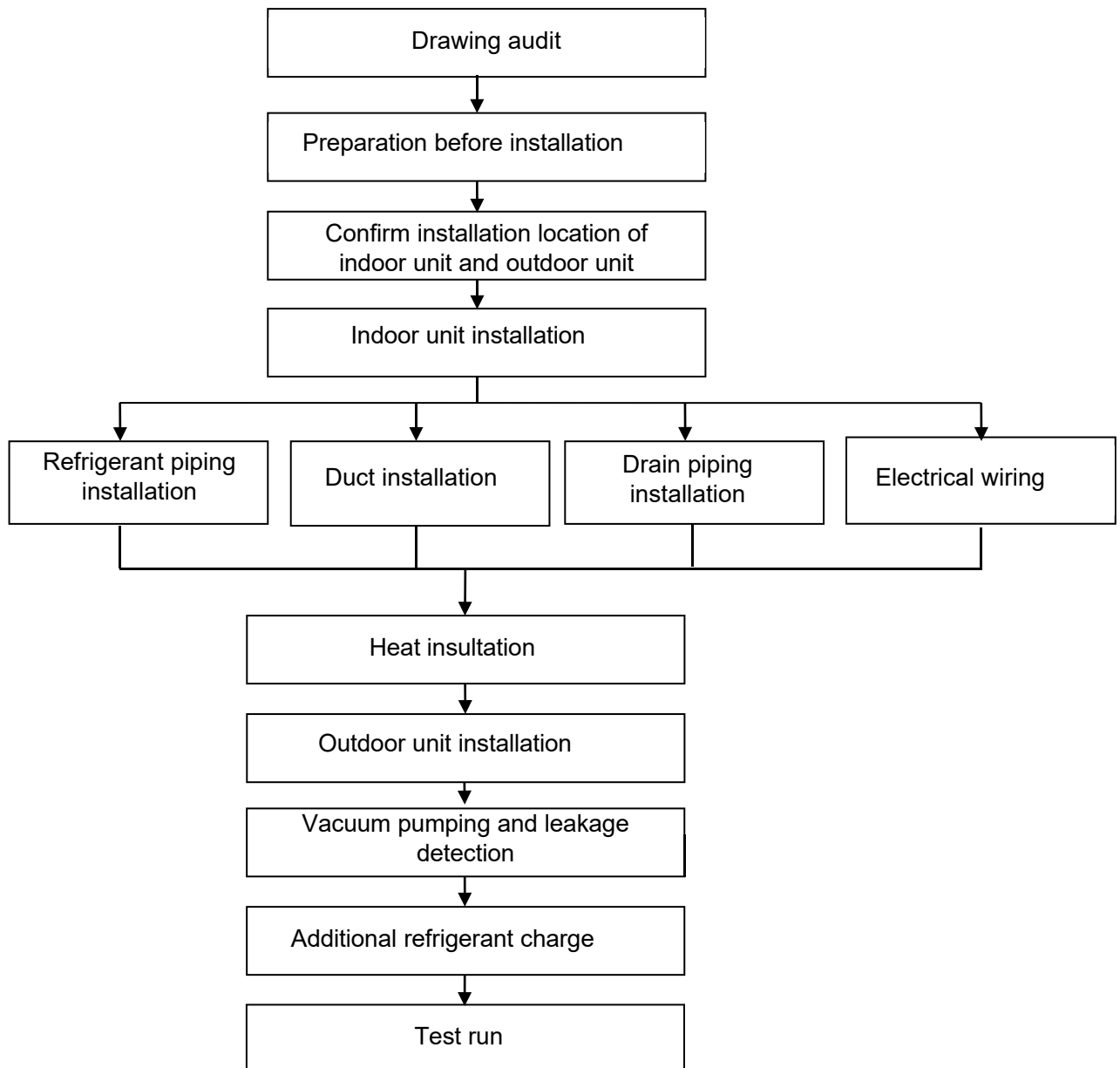
×: Prohibited

◆: Only for Refrigerant R22

Measuring Instrument and Tool for R410A		R32	R22	Reason of Non-Interchangeability and Attention (*: Strictly Required)	Use
Refrigerant Pipe	Pipe Cutter Chamfering Reamer	◇	◇	-	Cutting Pipe Removing Burrs
	Flaring Tool	◇	◇	* The flaring tools for R32 are applicable to R22/R410A. * If using flaring tube, make dimension of tube larger for R410A. * In case of material 1/2H, flaring is not available.	Flaring for Tubes
	Pipe Bender	◇	◇	* In case of material 1/2H, bending is not available. Use elbow for bend and braze.	Bending
	Expanding Tool	◇	◇	* In case of material 1/2H, expanding of tube is not available. Use socket for connecting tube.	Expanding Tubes
	Torque Wrench	◇	×	* For ϕ 1/2, ϕ 5/8, spanner size is up 2mm.	Connection of Flare Nut
		◇	◇	* For ϕ 1/4, ϕ 3/8, ϕ 3/4, spanner size is the same.	
	Brazing Tool	◇	◇	* Perform correct brazing work.	Brazing for Tubes
	Nitrogen Gas	◇	◇	* Strict Control against Contamin (Blow nitrogen during brazing.)	Prevention from Oxidation during
Lubrication Oil (for Flare Surface)	●	◆	* Use a synthetic oil which is equivalent to the oil used in the refrigeration cycle. * Synthetic oil absorbs moisture quickly.	Applying Oil to the Flared Surface	
Vacuum Drying & Refrigerant Charge	Refrigerant Cylinder	×	×	* Check refrigerant cylinder color. * Liquid refrigerant charging is required regarding zeotropic refrigerant. * Use the weight scale.	Refrigerant Charging
	Vacuum Pump	◇	◇	* The current ones are applicable. However, it is required to mount a vacuum pump adapter which can prevent from reverse flow when a vacuum pump stops, resulting in no reverse oil flow.	Vacuum Pumping
	Adapter for Vacuum Pump	◇	◆		
	Manifold Valve	◇	◆	* No interchangeability is available due to higher pressures when compared with R22. * Do not use current ones to the different refrigerant. If used, mineral oil will flow into the cycle and cause sludges, resulting in clogging or compressor failure.	Vacuum Pumping, Vacuum Holding, Refrigerant Charging and Check of Pressures
	Charging Hose	◇	×	* Connection diameter is different; R32/R410A: UNF1/2, R22: UNF7/16.	
	Weight Scale	◇	◇		Measuring Instrument for Refrigerant Charging
	Refrigerant Gas Leakage Detector	×	×	* The current gas leakage detector (R22) is not applicable due to different detecting method.	Gas Leakage Check

14. INSTALLATION TOOLS AND INSTALLATION FLOW CHART

14.2 Installation flow chart



NOTE: This flow is only for reference; for details, see installation manual section.

15. CONTROL MODE

15.1 Indoor unit mode control

1. Main general technical parameters

- (1) Remote receiver distance: 8 m.
- (2) Remote receiver angle: Less than 80 degrees.
- (3) Temperature control accuracy: $\pm 1^{\circ}\text{C}$.
- (4) Time error: Less than 1%.

2. Functions of the control function

2.1 Emergency switch

Pressing the emergency button can restart or stop the machine, which can start up according to the automatic mode of operation.

Press this button to turn ON the unit, the machine will run in auto mode, and press it again to turn it off.

When the machine is OFF, press and hold the emergency switch for 5 seconds, with 3 beeps, the indoor unit would turn to emergency running. In such situation, the machine would be forced to turn to cooling operation with high speed, the flaps sweep and the machine's operation is irrelevant with room temperatures.

If a remote signal has been received during the emergency run, the machine will operate upon the command of such a remote signal.

2.2 Operator-machine communication

Air conditioning and remote controller is provided with a temperature sensor. The remote controller on the temperature sensor detects the default settings of room temperature at room temperature. If the indoor control unit has not received remote control signal for a long time, it will automatically switch to the air conditioner body temperature sensor.

2.3 Timer function

(1) Timer ON

When set to start at a time by the remote controller, the air conditioner starts in the timer on condition. When the set time is up, the air conditioner will start up and operates in the preset conditions after receiving a signal from the remote controller. If the air conditioner has not received a signal from the remote controller when the set time is up, it will automatically start and operate in the preset conditions.

(2) Timer OFF

When set to stop at a set time by the remote controller, the air conditioner will start in the timer off condition. When the set time is up, the air conditioner will be off after receiving a signal from the remote controller. If the air conditioner has not received a signal from the remote controller when the set time is up, it will get off automatically.

(3) Neither the turning on nor turning off operation will cancel the timer function.

15. CONTROL MODE

2.4 Sleep

- (1) In the heating, cooling or dehumidifying mode, press the "Sleep" button on the remote controller to start or cancel the sleep function in turn, and at the same time the sleep icon on the display screen will be on or off accordingly.
- (2) In the heating mode, the set temperature will decrease automatically after the sleep function is started.
- (3) In the cooling mode, the set temperature will rise automatically after the sleep function is started.
- (4) By default, the setting is to cancel the sleep function. Turning off the unit will also cancel the sleep function.

2.5 Highly efficient run function (only for some remote controller)

In Cooling, Dehumidification, Fan mode, press the "HIGH POWER " to enter the refrigeration mode, set the temperature automatically adjusting to the lowest temperature; the Fan operates with powerful speed; frequency is high frequency operation.

In heating mode, press the "HIGH POWER" to enter the refrigeration mode, set the temperature automatically to adjust to the highest temperature; the Fan speed is powerful speed; frequency is high frequency operation.

Mute function (only for some remote controller)

In the indoor unit operation mode, you may turn on or turn off mute function with mute key. The air conditioner will run with mute fan speed in mute mode.

2.6 Cooling wind prevention mode

In the heating-run, to prevent the indoor fan from blowing cold air, the indoor fan will stop or run slowly until the coil is warm.

2.7 Blowing waste heating and waste cooling function

In the heating mode, when the air conditioner is turned off, the indoor heat exchanger temperature is still higher, so the air conditioner will continue to run the waste heat operation. In Cooling and dehumidification mode, after the compressor stops, indoor unit will continue to set the speed of operation for a period of time.

2.8 Dehumidifying method:

If remote control setting is in dehumidifying mode, indoor unit is forced to run at low speed (high power key or a strong bond also maintains a low wind speed), and the outdoor unit runs according to the refrigeration mode operation.

2.9 Auto re-start from power break

When the power supply is recovered after a break, all presets are still effective and the air conditioner can run according to the previous setting.

How to set/cancel:

It can be set /cancelled with wired remote controller.

For details, see internal control parameter adjustment.

15. CONTROL MODE

2.10 Fault code

The fault code can be shown by LED lamps or will display on the wired controller.

2.11 Filter cleaning

FC will light up when air filter is clogged with dust.

How to set/cancel: It can be set /cancelled with wired remote controller.

For details, see internal control parameter adjustment.

15. CONTROL MODE

15.2 Outdoor unit mode control

Control function

1. Cooling anti-freeze protection

The indoor coil sensor functions as real time temperature detector of evaporator. It prevents the indoor unit evaporator temperature becoming too low. If the indoor coil temperature is too low, the compressor will automatically start protection mode.

2. Overload protection

To prevent system overload caused by excessive pressure, the machine will implement real-time detection when outdoor coil temperature is too high during cooling mode or indoor coil temperature is too high during heating mode.

3. Exhaust temperature protection

To prevent deterioration due to high exhaust temperature of compressor, the machine will realize the real-time detection of the exhaust gas temperature. If the temperature is too high, the compressor provides automatic protection.

4. Oil-return control

When the compressor runs at low frequencies for a long time, control system will start the oil-return mechanism. The oil in the system returns to the compressor.

5. Operation mode

Air conditioning mode is the operation mode set by users through remote controller, four modes are available: cooling, heating, dehumidification, and fan mode.

6. Four-way valve control

Four-way valve of the outdoor unit shuts down when cooling and defrosting but starts when heating. During the heating process, the four-way valve stops working for a period of time after the compressor is disconnected.

7. Start-up protection

To prevent compressor from restarting frequently when the system pressure has not been completely balanced, it cannot be restarted within 3 minutes.

8. Pressure protection

When the pressure increases to a preset value, the pressure switch will automatically protect the compressor. The compressor will stop and report the fault code protection.

16. SENSOR PARAMETER

Sensor parameter

1. THE PARAMETER OF OUTDOOR COMPRESSOR DISCHARGE TEMPERATURE SENSOR:

($R_0=187.25K\pm 6.3\%$; $R_{100}=3.77K\pm 2.5K$; $B0/100=3979K\pm 1\%$)

T [°C]	Rmin [KΩ]	Rnom [KΩ]	Rmax [KΩ]	DR(MIN)%	DR(MAX)%
-30	908.2603	985.5274	1065.1210	-7.84	7.47
-29	855.3955	927.6043	1001.9150	-7.78	7.42
-28	805.9244	873.4324	924.8368	-7.73	5.56
-27	759.6097	822.7471	887.5944	-7.67	7.31
-26	716.2320	775.3041	835.9165	-7.62	7.25
-25	675.5881	730.8775	787.5529	-7.56	7.20
-24	637.4902	689.2583	742.2720	-7.51	7.14
-23	601.7645	650.2533	699.8601	-7.46	7.09
-22	568.2499	613.6835	660.1191	-7.40	7.03
-21	536.7970	579.3832	622.8658	-7.35	6.98
-20	507.2676	547.1989	587.9307	-7.30	6.93
-19	497.5332	516.9882	555.1565	-3.76	6.88
-18	453.4748	488.6192	524.3977	-7.19	6.82
-17	428.9819	461.9693	495.5191	-7.14	6.77
-16	405.9517	436.9251	486.3954	-7.09	10.17
-15	384.2888	413.3808	442.9105	-7.04	6.67
-14	363.9047	391.2386	418.9563	-6.99	6.62
-13	344.7169	370.4072	396.4325	-6.94	6.56
-12	326.6497	350.8019	375.2461	-6.88	6.51
-11	309.6286	332.3441	355.3104	-6.83	6.46
-10	293.5903	314.9620	336.5448	-6.79	6.41
-9	278.4719	298.5822	318.3744	-6.74	6.22
-8	264.2156	283.1464	302.2294	-6.69	6.31
-7	250.7678	268.5936	286.5448	-6.64	6.26
-6	238.0783	254.8686	271.7603	-6.59	6.22
-5	226.1003	241.9200	257.8193	-6.54	6.17
-4	214.7903	229.6997	244.6593	-6.49	6.11
-3	204.1073	218.1630	232.2612	-6.44	6.07
-2	194.0135	207.2681	220.5495	-6.39	6.02
-1	184.4732	196.9759	209.4913	-6.35	5.97
0	175.4533	187.2500	199.0468	-6.30	5.93
1	166.8952	178.0255	189.1529	-6.25	5.88
2	158.8023	169.3067	179.8058	-6.20	5.84
3	151.1467	161.0633	170.9724	-6.16	5.80
4	143.9026	153.2667	162.6216	-6.11	5.75
5	137.0455	145.8905	154.7246	-6.06	5.71
6	130.5528	138.9097	147.2544	-6.02	5.67
7	124.4033	132.3011	140.1856	-5.97	5.62
8	118.5769	126.0429	133.4946	-5.92	5.58
9	113.0550	120.1146	127.1591	-5.88	5.54
10	107.8202	114.4973	121.1586	-5.83	5.50
11	102.8560	109.1728	115.4734	-5.79	5.46
12	98.1470	104.1246	110.0855	-5.74	5.41
13	93.6787	99.3367	104.9778	-5.70	5.37
14	89.4378	94.7946	100.1342	-5.65	5.33
15	85.4114	90.4842	95.5398	-5.61	5.29
16	81.5875	86.3926	91.1805	-5.56	5.25
17	77.9551	82.5076	87.0430	-5.52	5.21
18	74.5034	78.8177	83.1150	-5.47	5.17

16. SENSOR PARAMETER

T [°C]	Rmin [KΩ]	Rnom [KΩ]	Rmax [KΩ]	DR(MIN)%	DR(MAX)%
19	71.2227	75.3122	79.3848	-5.43	5.13
20	68.1036	71.9808	75.8414	-5.39	5.09
21	65.1373	68.8141	72.4746	-5.34	5.05
22	62.3155	65.8032	69.2746	-5.30	5.01
23	59.6306	62.9395	66.2324	-5.26	4.97
24	57.0752	60.2152	63.3395	-5.21	4.93
25	54.6424	57.6227	60.5877	-5.17	4.89
26	52.3258	55.1551	57.9695	-5.13	4.85
27	50.1192	52.8058	55.4778	-5.09	4.82
28	48.0168	50.5684	53.1058	-5.05	4.78
29	46.0133	48.4371	50.8472	-5.00	4.74
30	44.1034	46.4046	48.6960	-4.96	4.71
31	42.2825	44.4711	46.6466	-4.92	4.66
32	40.5458	42.6261	44.6937	-4.88	4.63
33	38.8891	40.8668	42.8323	-4.84	4.59
34	37.3084	39.1890	41.0576	-4.80	4.55
35	35.7998	37.5883	39.3653	-4.76	4.51
36	34.3596	36.0609	37.7511	-4.72	4.48
37	32.9844	34.6030	36.2109	-4.68	4.44
38	31.6710	33.2113	34.7412	-4.64	4.40
39	30.4164	31.8823	33.3383	-4.60	4.37
40	29.2176	30.6130	31.9988	-4.56	4.33
41	28.0718	29.4004	30.7197	-4.52	4.29
42	26.9765	28.2417	29.4979	-4.48	4.26
43	25.9293	27.1342	28.3306	-4.44	4.22
44	24.9277	26.0755	27.2150	-4.40	4.19
45	23.9697	25.0632	26.1488	-4.36	4.15
46	23.0530	24.0950	25.1293	-4.32	4.12
47	22.1757	23.1688	24.1545	-4.29	4.08
48	21.3360	22.2826	23.2221	-4.25	4.05
49	20.5321	21.4345	22.3301	-4.21	4.01
50	19.7623	20.6226	21.4766	-4.17	3.98
51	19.0261	19.8468	20.6612	-4.14	3.94
52	18.3211	19.1040	19.8808	-4.10	3.91
53	17.6458	18.3926	19.1338	-4.06	3.87
54	16.9986	17.7113	18.4185	-4.02	3.84
55	16.3784	17.0537	17.7335	-3.96	3.83
56	15.7839	16.4332	17.0774	-3.95	3.77
57	15.2139	15.8338	16.4488	-3.92	3.74
58	14.6673	15.2592	15.8464	-3.88	3.71
59	14.1430	14.7083	15.2690	-3.84	3.67
60	13.6400	14.1799	14.7154	-3.81	3.64
61	13.1573	13.6730	14.1846	-3.77	3.61
62	12.6941	13.1868	13.6756	-3.74	3.57
63	12.2494	12.7202	13.1872	-3.70	3.54
64	11.8224	12.2723	12.7186	-3.67	3.51
65	11.4124	11.8424	12.2690	-3.63	3.48
66	11.0185	11.4295	11.8373	-3.60	3.45
67	10.6401	11.0331	11.4230	-3.56	3.41
68	10.2765	10.6522	11.0251	-3.53	3.38
69	9.9271	10.2863	10.6429	-3.49	3.35
70	9.5912	9.9348	10.2756	-3.46	3.32
71	9.2682	9.5968	9.9231	-3.42	3.29
72	8.9576	9.2720	9.5841	-3.39	3.26
73	8.6589	8.9597	9.2583	-3.36	3.23
74	8.3716	8.6594	8.9451	-3.32	3.19

16. SENSOR PARAMETER

T [°C]	Rmin [KΩ]	Rnom [KΩ]	Rmax [KΩ]	DR(MIN)%	DR(MAX)%
75	8.0951	8.3705	8.6440	-3.29	3.16
76	7.8290	8.0926	8.3544	-3.26	3.13
77	7.5730	7.8252	8.0758	-3.22	3.10
78	7.3264	7.5679	7.8078	-3.19	3.07
79	7.0891	7.3202	7.5499	-3.16	3.04
80	6.8605	7.0818	7.3018	-3.12	3.01
81	6.6403	6.8522	7.0629	-3.09	2.98
82	6.4282	6.6311	6.8329	-3.06	2.95
83	6.2239	6.4182	6.6115	-3.03	2.92
84	6.0269	6.2131	6.3982	-3.00	2.89
85	5.8371	6.0154	6.1928	-2.96	2.86
86	5.6542	5.8249	5.9949	-2.93	2.84
87	5.4777	5.6413	5.8042	-2.90	2.81
88	5.3076	5.4644	5.6205	-2.87	2.78
89	5.1435	5.2937	5.4433	-2.84	2.75
90	4.9853	5.1292	5.2726	-2.81	2.72
91	4.8326	4.9705	5.1079	-2.77	2.69
92	4.6852	4.8174	4.9492	-2.74	2.66
93	4.5430	4.6697	4.7960	-2.71	2.63
94	4.4058	4.5272	4.6483	-2.68	2.61
95	4.2733	4.3896	4.5058	-2.65	2.58
96	4.1453	4.2568	4.3683	-2.62	2.55
97	4.0218	4.1287	4.2355	-2.59	2.52
98	3.9024	4.0049	4.1074	-2.56	2.50
99	3.7872	3.8854	3.9837	-2.53	2.47
100	3.6758	3.7700	3.8643	-2.50	2.44
101	3.5661	3.6585	3.7512	-2.53	2.47
102	3.4601	3.5509	3.6419	-2.56	2.50
103	3.3577	3.4468	3.5362	-2.59	2.53
104	3.2588	3.3463	3.4341	-2.61	2.56
105	3.1632	3.2491	3.3353	-2.64	2.58
106	3.0708	3.1551	3.2398	-2.67	2.61
107	2.9816	3.0643	3.1475	-2.70	2.64
108	2.8953	2.9765	3.0582	-2.73	2.67
109	2.8118	2.8915	2.9717	-2.76	2.70
110	2.7311	2.8093	2.8881	-2.78	2.73
111	2.6531	2.7299	2.8072	-2.81	2.75
112	2.5776	2.6530	2.7289	-2.84	2.78
113	2.5046	2.5785	2.6531	-2.87	2.81
114	2.4340	2.5065	2.5798	-2.89	2.84
115	2.3656	2.4368	2.5087	-2.92	2.87
116	2.2995	2.3693	2.4400	-2.95	2.90
117	2.2354	2.3040	2.3733	-2.98	2.92
118	2.1734	2.2407	2.3088	-3.00	2.95
119	2.1134	2.1795	2.2463	-3.03	2.97
120	2.0553	2.1201	2.1858	-3.06	3.01
121	1.9991	2.0626	2.1271	-3.08	3.03
122	1.9446	2.0070	2.0702	-3.11	3.05
123	1.8918	1.9530	2.0151	-3.13	3.08
124	1.8406	1.9007	1.9617	-3.16	3.11
125	1.7911	1.8500	1.9099	-3.18	3.14
126	1.7430	1.8009	1.8597	-3.22	3.16
127	1.6965	1.7533	1.8110	-3.24	3.19
128	1.6514	1.7071	1.7638	-3.26	3.21
129	1.6076	1.6623	1.7180	-3.29	3.24
130	1.5652	1.6189	1.6736	-3.32	3.27

16. SENSOR PARAMETER

2. THE PARAMETER OF THE OTHER SENSOR IN INDOOR AND OUTDOOR UNIT:

($R_0=15K\pm 2\%$; $B0/100=3450K\pm 2\%$)

T [°C]	Rmin [KΩ]	Rnom [KΩ]	Rmax [KΩ]	DR(MIN)%	DR(MAX)%
-30	60.78	64.77	68.99	-6.16	6.12
-29	57.75	61.36	65.16	-5.88	5.83
-28	54.89	58.15	61.58	-5.61	5.57
-27	52.19	55.14	58.23	-5.35	5.31
-26	49.63	52.30	55.08	-5.11	5.05
-25	47.21	49.62	52.13	-4.86	4.81
-24	44.92	47.10	49.37	-4.63	4.60
-23	42.76	44.73	46.78	-4.40	4.38
-22	40.71	42.49	44.34	-4.19	4.17
-21	38.77	40.38	42.05	-3.99	3.97
-20	36.93	38.39	39.90	-3.80	3.78
-19	35.18	36.51	37.87	-3.64	3.59
-18	33.53	34.74	35.97	-3.48	3.42
-17	31.96	33.06	34.17	-3.33	3.25
-16	30.48	31.47	32.49	-3.15	3.14
-15	29.07	29.97	30.89	-3.00	2.98
-14	27.73	28.56	29.39	-2.91	2.82
-13	26.46	27.22	27.98	-2.79	2.72
-12	25.26	25.95	26.64	-2.66	2.59
-11	24.11	24.75	25.38	-2.59	2.48
-10	23.03	23.61	24.19	-2.46	2.40
-9	21.99	22.53	23.06	-2.40	2.30
-8	21.01	21.51	22.00	-2.32	2.23
-7	20.08	20.54	20.99	-2.24	2.14
-6	19.19	19.62	20.04	-2.19	2.10
-5	18.35	18.74	19.14	-2.08	2.09
-4	17.55	17.92	18.29	-2.06	2.02
-3	16.78	17.13	17.48	-2.04	2.00
-2	16.06	16.38	16.71	-1.95	1.97
-1	15.36	15.67	15.98	-1.98	1.94
0	14.70	15.00	15.29	-2.00	1.90
1	14.08	14.36	14.64	-1.95	1.91
2	13.48	13.75	14.02	-1.96	1.93
3	12.91	13.17	13.43	-1.97	1.94
4	12.36	12.62	12.87	-2.06	1.94
5	11.85	12.09	12.34	-1.99	2.03
6	11.35	11.59	11.83	-2.07	2.03
7	10.88	11.11	11.35	-2.07	2.11
8	10.43	10.66	10.89	-2.16	2.11
9	9.999	10.230	10.450	-2.26	2.11
10	9.590	9.816	10.040	-2.30	2.23
11	9.199	9.422	9.647	-2.37	2.33
12	8.826	9.047	9.269	-2.44	2.40
13	8.470	8.689	8.910	-2.52	2.48
14	8.129	8.347	8.567	-2.61	2.57
15	7.804	8.021	8.240	-2.71	2.66
16	7.493	7.709	7.928	-2.80	2.76
17	7.196	7.412	7.630	-2.91	2.86
18	6.912	7.127	7.346	-3.02	2.98
19	6.640	6.855	7.074	-3.14	3.10
20	6.381	6.595	6.815	-3.24	3.23
21	6.132	6.347	6.567	-3.39	3.35
22	5.894	6.109	6.330	-3.52	3.49

16. SENSOR PARAMETER

T [°C]	Rmin [KΩ]	Rnom [KΩ]	Rmax [KΩ]	DR(MIN)%	DR(MAX)%
23	5.667	5.882	6.103	-3.66	3.62
24	5.449	5.664	5.886	-3.80	3.77
25	5.240	5.456	5.678	-3.96	3.91
26	5.048	5.260	5.478	-4.03	3.98
27	4.864	5.072	5.286	-4.10	4.05
28	4.687	4.891	5.101	-4.17	4.12
29	4.517	4.717	4.924	-4.24	4.20
30	4.355	4.550	4.753	-4.29	4.27
31	4.198	4.390	4.589	-4.37	4.34
32	4.048	4.236	4.431	-4.44	4.40
33	3.904	4.089	4.280	-4.52	4.46
34	3.766	3.946	4.134	-4.56	4.55
35	3.663	3.810	3.994	-3.86	4.61
36	3.506	3.679	3.859	-4.70	4.66
37	3.383	3.552	3.729	-4.76	4.75
38	3.265	3.431	3.604	-4.84	4.80
39	3.152	3.314	3.484	-4.89	4.88
40	3.043	3.202	3.368	-4.97	4.93
41	2.938	3.094	3.257	-5.04	5.00
42	2.838	2.990	3.149	-5.08	5.05
43	2.741	2.890	3.046	-5.16	5.12
44	2.648	2.793	2.946	-5.19	5.19
45	2.558	2.701	2.850	-5.29	5.23
46	2.472	2.611	2.758	-5.32	5.33
47	2.389	2.525	2.669	-5.39	5.40
48	2.309	2.443	2.583	-5.49	5.42
49	2.232	2.363	2.500	-5.54	5.48
50	2.158	2.286	2.421	-5.60	5.58
51	2.087	2.212	2.344	-5.65	5.63
52	2.018	2.140	2.269	-5.70	5.69
53	1.952	2.072	2.198	-5.79	5.73
54	1.888	2.005	2.129	-5.84	5.82
55	1.827	1.941	2.062	-5.87	5.87
56	1.767	1.880	1.998	-6.01	5.91
57	1.710	1.820	1.936	-6.04	5.99
58	1.655	1.763	1.876	-6.13	6.02
59	1.602	1.707	1.818	-6.15	6.11
60	1.551	1.654	1.762	-6.23	6.13
61	1.502	1.602	1.709	-6.24	6.26
62	1.452	1.553	1.657	-6.50	6.28
63	1.409	1.505	1.606	-6.38	6.29
64	1.364	1.458	1.558	-6.45	6.42
65	1.322	1.413	1.511	-6.44	6.49
66	1.280	1.370	1.466	-6.57	6.55
67	1.241	1.328	1.422	-6.55	6.61
68	1.202	1.288	1.379	-6.68	6.60
69	1.165	1.249	1.339	-6.73	6.72
70	1.129	1.211	1.299	-6.77	6.77
71	1.095	1.175	1.261	-6.81	6.82
72	1.061	1.140	1.224	-6.93	6.86
73	1.029	1.106	1.188	-6.96	6.90
74	0.9977	1.073	1.153	-7.02	6.94
75	0.9676	1.041	1.120	-7.05	7.05
76	0.9385	1.011	1.088	-7.17	7.08
77	0.9104	0.9810	1.056	-7.20	7.10
78	0.8833	0.9523	1.026	-7.25	7.18

16. SENSOR PARAMETER

T [°C]	Rmin [KΩ]	Rnom [KΩ]	Rmax [KΩ]	DR(MIN)%	DR(MAX)%
79	0.8570	0.9246	0.9971	-7.31	7.27
80	0.8316	0.8977	0.9687	-7.36	7.33
81	0.8071	0.8717	0.9412	-7.41	7.38
82	0.7834	0.8466	0.9146	-7.47	7.43
83	0.7604	0.8223	0.8888	-7.53	7.48
84	0.7382	0.7987	0.8639	-7.57	7.55
85	0.7167	0.7759	0.8397	-7.63	7.60
86	0.6958	0.7537	0.8161	-7.68	7.65
87	0.6755	0.7322	0.7933	-7.74	7.70
88	0.6560	0.7114	0.7712	-7.79	7.75
89	0.6371	0.6913	0.7498	-7.84	7.80
90	0.6188	0.6718	0.7291	-7.89	7.86
91	0.6011	0.6530	0.7051	-7.95	7.39
92	0.5840	0.6348	0.6897	-8.00	7.96
93	0.5674	0.6171	0.6709	-8.05	8.02
94	0.5514	0.6000	0.6527	-8.10	8.07
95	0.5359	0.5835	0.6350	-8.16	8.11
96	0.5209	0.5675	0.6179	-8.21	8.16
97	0.5064	0.5519	0.6014	-8.24	8.23
98	0.4923	0.5369	0.5853	-8.31	8.27
99	0.4787	0.5224	0.5698	-8.37	8.32
100	0.4655	0.5083	0.5547	-8.42	8.36
101	0.4528	0.4946	0.5401	-8.45	8.42
102	0.4404	0.4814	0.5259	-8.52	8.46
103	0.4284	0.4685	0.5121	-8.56	8.51
104	0.4168	0.4561	0.4988	-8.62	8.56
105	0.4056	0.4440	0.4859	-8.65	8.62
106	0.3947	0.4323	0.4733	-8.70	8.66
107	0.3841	0.4210	0.4611	-8.76	8.70
108	0.3739	0.4100	0.4493	-8.80	8.75
109	0.3640	0.3993	0.4379	-8.84	8.81
110	0.3544	0.3890	0.4267	-8.89	8.84
111	0.3450	0.3789	0.4159	-8.95	8.90
112	0.3360	0.3692	0.4055	-8.99	8.95
113	0.3272	0.3597	0.3953	-9.04	9.01
114	0.3187	0.3505	0.3854	-9.07	9.06
115	0.3104	0.3416	0.3758	-9.13	9.10
116	0.3024	0.3330	0.3665	-9.19	9.14
117	0.2947	0.3246	0.3574	-9.21	9.18
118	0.2871	0.3164	0.3468	-9.26	8.77
119	0.2798	0.3085	0.3401	-9.30	9.29
120	0.2727	0.3008	0.33	-9.34	9.34



Correct Disposal of this product

This marking indicates that this product should not be disposed with other household wastes throughout the EU. To prevent possible harm to the environment or human health from uncontrolled waste disposal, recycle it responsibly to promote the sustainable reuse of material resources. To return your used device, please use the return and collection systems or contact the retailer where the product was purchased. They can take this product for environmental safe recycling.

Specifications in this document are subject to change without notice, in order that Hitachi-Johnson Controls Air Conditioning, Inc. may bring the latest innovations to their customers.

Hitachi-Johnson Controls Air Conditioning, Inc.