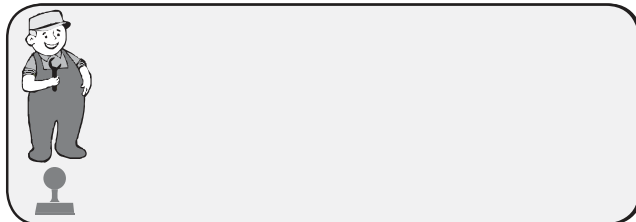
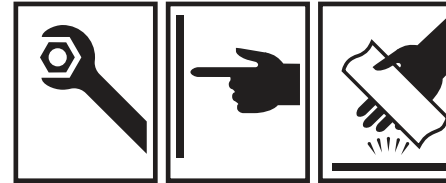


Pos.	Description	Part No.
1	Self-closing cartridge for basin	A 861 457 AA
2	Handle cap red and blue	A 861 458 NU
3	Escutcheon G1/2	A 861 462 AA
4	Flow limiter 3 l/min	A 861 459 NU



Ideal Standard International NV
 Corporate Village - Gent Building
 Da Vincilaan 2
 1935 Zaventem
 Belgium

www.idealstandardinternational.com

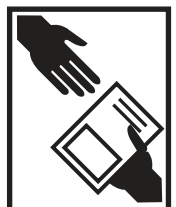
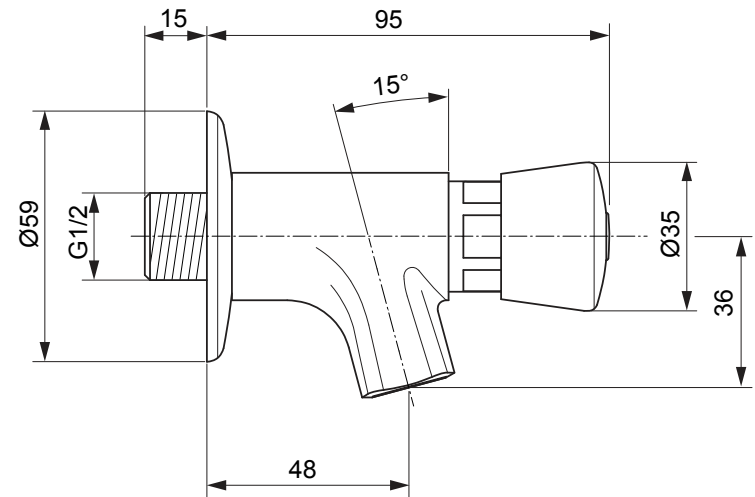


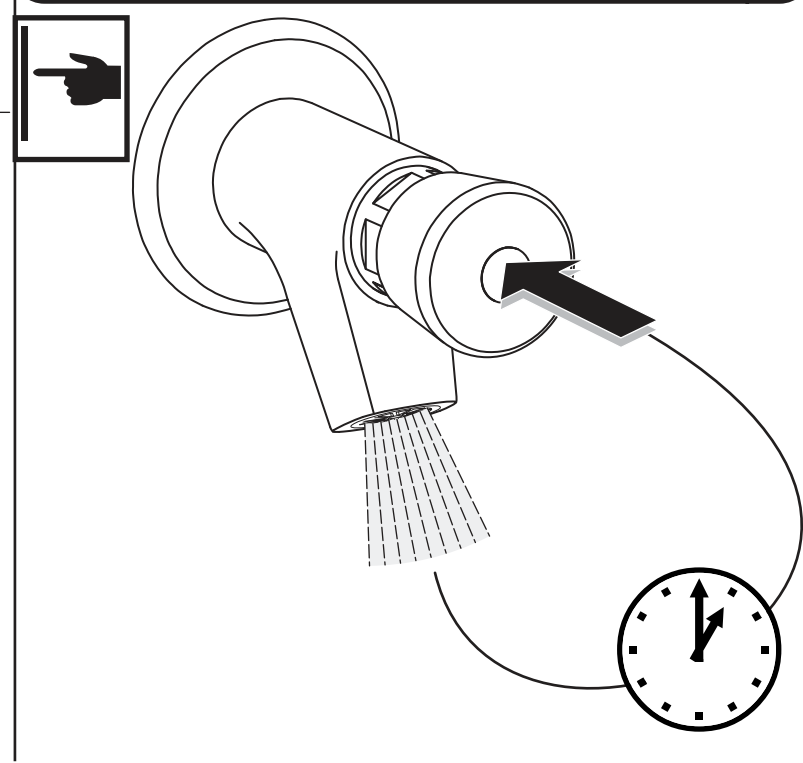
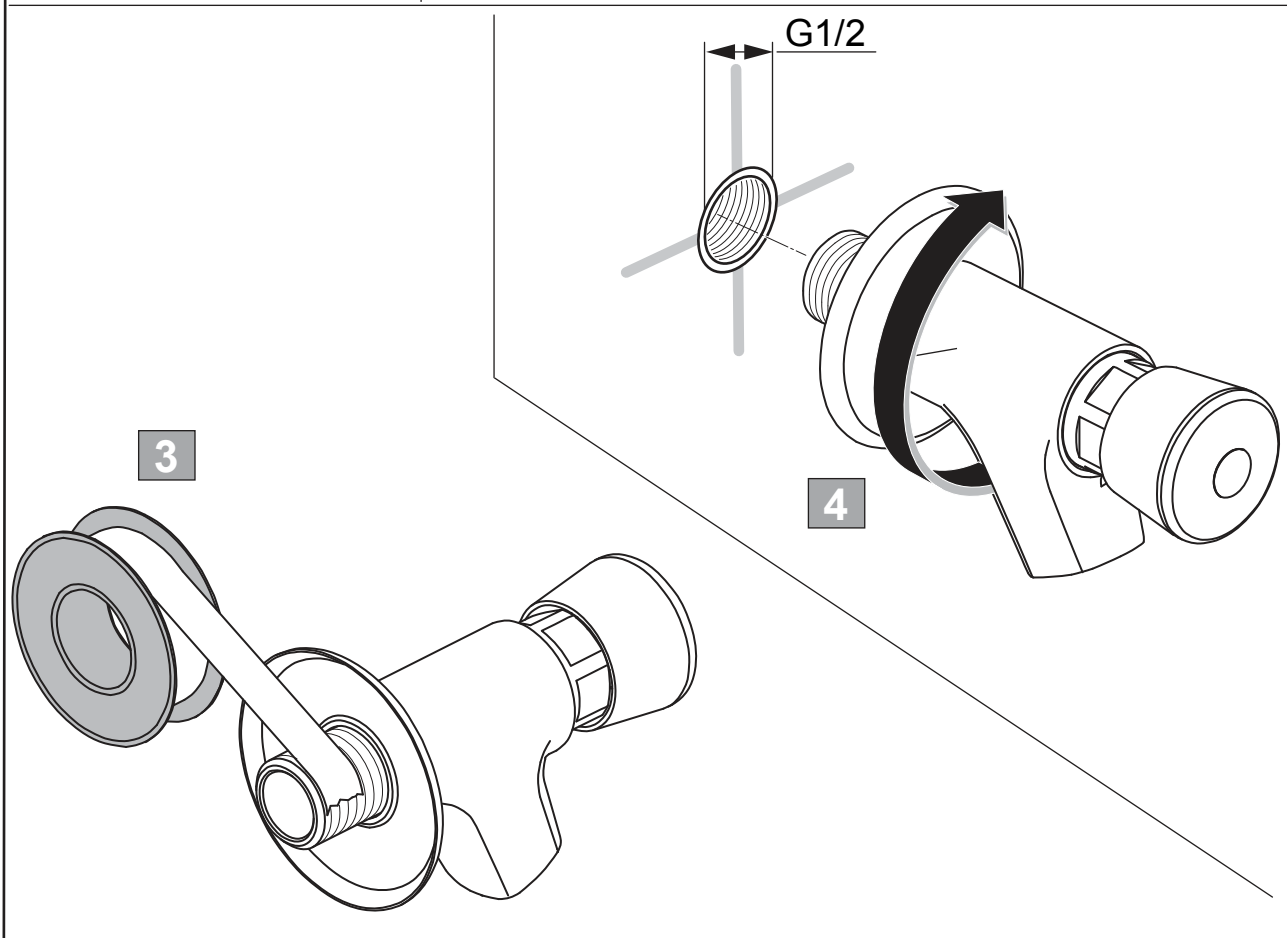
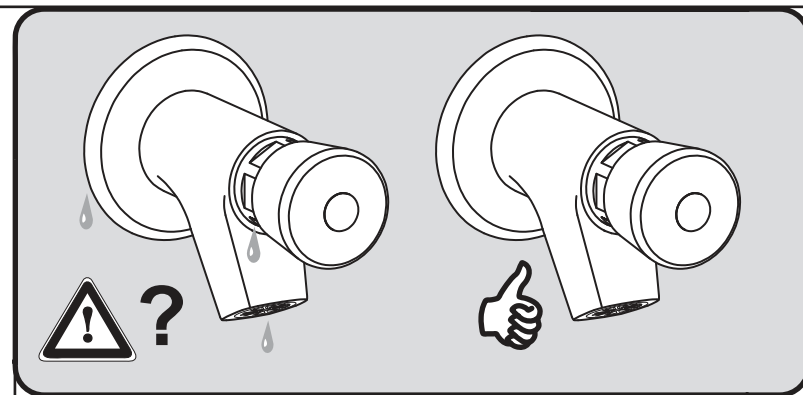
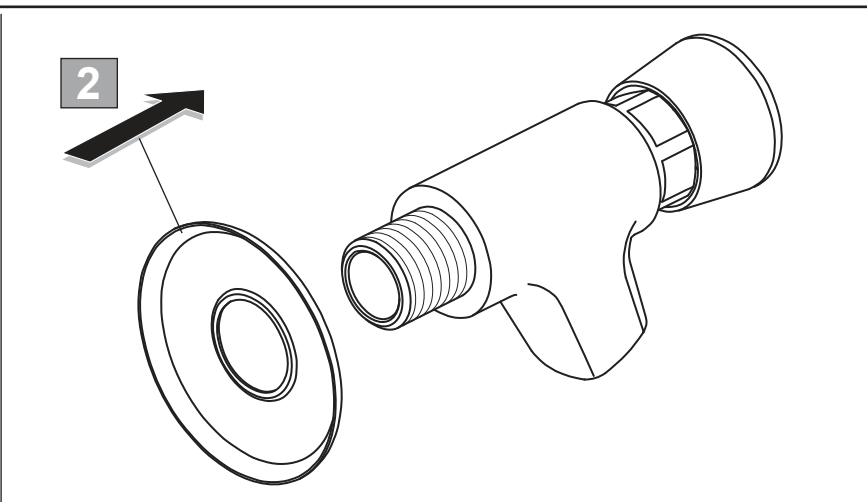
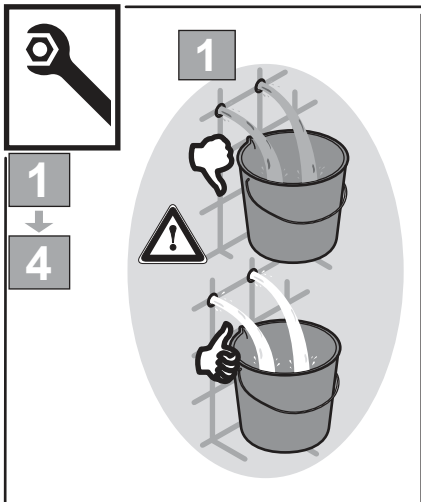
Ideal Standard

ALPHA SELF-CLOSING

A 1330..

1119





P	bar	MIN. 0,5		MAX. 5	Q (3 bar) l/min 3
T	°C	MIN. 10		MAX. 80	