

# Mapeproof SA Tape

## Adhesive tape to form joints between the lower-facing side of adjacent membranes in the Mapeproof FBT system

### WHERE TO USE

Waterproofing joints as part of the **Mapeproof FBT** waterproofing system for structures below ground level.

### ADVANTAGES

- **Mapeproof SA Tape** used in combination with **Mapeproof FBT Tape** guarantees that joints in the **Mapeproof FBT** waterproofing system remain perfectly watertight.
- **Mapeproof SA Tape** is cold-applied and does not require heat and/or naked flames.
- Easy to apply: **Mapeproof SA Tape** is highly malleable and adheres very strongly, including at low temperatures.

### TECHNICAL CHARACTERISTICS

**Mapeproof SA Tape** is special adhesive tape dressed on one side with a four-layers laminated film of high-density polyethylene (HDPE).

**Mapeproof SA Tape** is one of the accessory items used in the **Mapeproof FBT** waterproofing system.

**Mapeproof SA Tape** is resistant to aggressive natural agents normally found in groundwater and in the ground. It is highly durable and is resistant to ageing caused by UV rays while normal site activities are being carried out.

### APPLICATION PROCEDURE

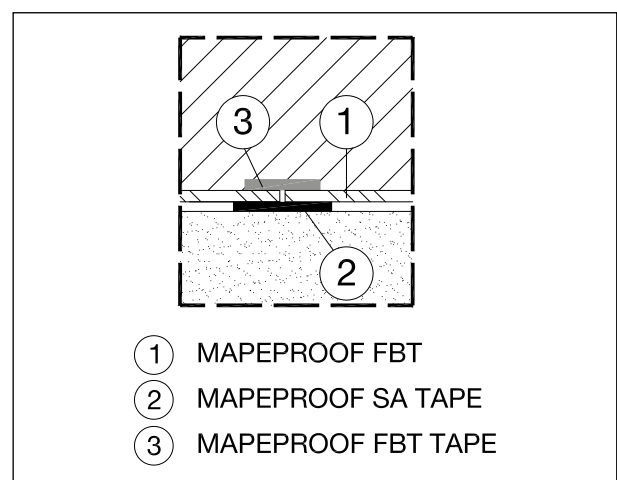
#### Preparation of the substrate

Surfaces on which **Mapeproof SA Tape** is to be bonded before applying the **Mapeproof FBT** membranes to be joined together must be clean

and dry. They must also be even and have no large protruding areas or hollows.

### Application of the product

Unroll the **Mapeproof SA Tape**, lay it on the surface to be waterproofed and gradually remove the protective film so that the two adjacent sheets of **Mapeproof FBT** can be bonded to it. Go over the joint between the sheets with a firm rubber roller so that they form a sound bond with the tape.

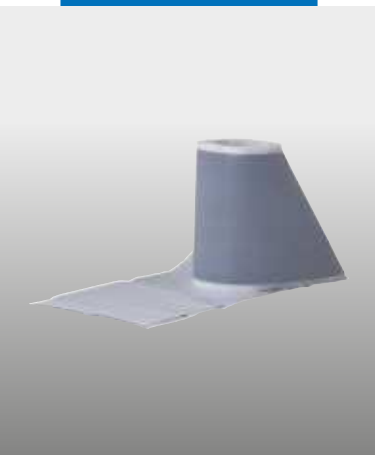


(Fig. 1)

### RECOMMENDATIONS

**Mapeproof SA Tape** must not be applied if there is water or puddles.

# Mapeproof SA Tape



## TECHNICAL DATA (typical values)

### PRODUCT IDENTITY

Appearance/material:	tape made up of an adhesive HDPE film
Width of roll (m):	0.20
Nominal thickness (mm):	0.48
Weight (kg/m <sup>2</sup> ):	≥ 0.48

### APPLICATION DATA

Application temperature:	+5°C to +35°C
--------------------------	---------------

### PACKAGING

Mapeproof SA Tape is available in 0.20 m wide rolls x 20 metres long.

### STORAGE

Mapeproof SA Tape may be stored for 12 months in its original packaging in a dry area at a temperature of +5°C to +35°C.

### SAFETY INSTRUCTIONS FOR PREPARATION AND APPLICATION

Mapeproof SA Tape is an article that, according to current European Regulations (Reg. (EC) 1906/2007 - REACH), does not require a Material Safety Data Sheet. When using this product, it is recommended to wear gloves and safety goggles and to follow the safety guidelines for the area in which work is carried out.

PRODUCT FOR PROFESSIONAL USE.

### WARNING

*Although the technical details and recommendations contained in this product data sheet correspond to the best of our knowledge and experience, all the above information must, in every case, be taken as merely indicative and subject to confirmation after long-term practical application; for this reason, anyone who intends to use the product must ensure beforehand that it is*

*suitable for the envisaged application. In every case, the user alone is fully responsible for any consequences deriving from the use of the product.*

**Please refer to the current version of the Technical Data Sheet, available from our website [www.mapei.com](http://www.mapei.com)**

### LEGAL NOTICE

***The contents of this Technical Data Sheet ("TDS") may be copied into another project-related document, but the resulting document shall not supplement or replace requirements per the TDS in force at the time of the MAPEI product installation.***

***The most up-to-date TDS can be downloaded from our website [www.mapei.com](http://www.mapei.com).***

***ANY ALTERATION TO THE WORDING OR REQUIREMENTS CONTAINED OR DERIVED FROM THIS TDS EXCLUDES THE RESPONSIBILITY OF MAPEI.***

**All relevant references for the product are available upon request and from [www.mapei.com](http://www.mapei.com)**

## TECHNICAL SPECIFICATIONS

Supply and application of adhesive tape dressed on one side with a four-ply laminated film of high-density polyethylene (such as **Mapeproof SA Tape** by MAPEI S.p.A.) to waterproof the lower-facing side of joints between adjacent membranes in fully-bonded waterproofing systems on structures below ground level (such as **Mapeproof FBT** by MAPEI S.p.A.).

The product must have the following characteristics:

Mass per unit area (kg/m<sup>2</sup>): ≥ 0.48  
Nominal thickness (mm): 0.48



BUILDING THE FUTURE