



PHOTOVOLTAIC GLASS		0358N-12450635-_-_-			
1245 x 635 mm		ref. 00	ref. 10	ref. 20	ref. 30
Electrical data test conditions (STC)		DARK (0%)	M VISION (10%)	L VISION (20%)	XL VISION (30%)
Nominal peak power	P_{mpp} (Wp)	46	32	27	22
Open-circuit voltage	V_{oc} (V)	50	50	50	50
Short-circuit current	I_{sc} (A)	1,50	1,15	0,97	0,77
Voltage at nominal power	V_{mpc} (V)	34	34	34	34
Current at nominal power	I_{mpp} (A)	1,34	0,93	0,79	0,65
Power tolerance not to exceed	%	±5	±5	±5	±5

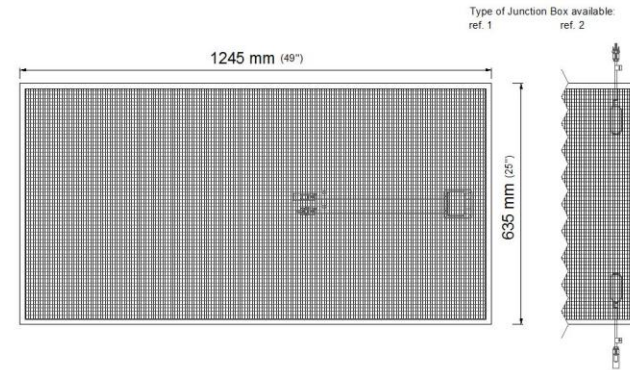
STC: 1000 w/m², AM 1.5 and a cell temperature of 25°C, stabilized module state.

Mechanical description	
Length	mm 1245
Width	mm 635
Thickness	mm 8,96
Surface area	sqm 0,79
Weight	Kg 16,20
Cell type	a-Si Thin Film
PV Glass	3,2 mm Float Glass
Rear Glass	5,0 mm Tempered Glass
Thickness encapsulation	ref. A EVA Foils (not available)
	ref. B 0,76 mm PVB Foils

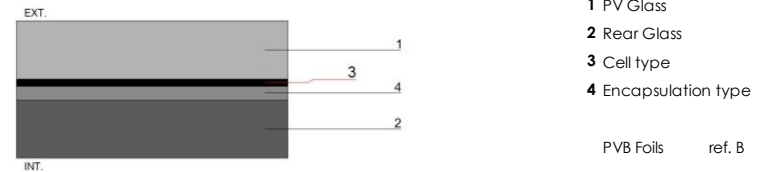
Junction Box	
Protection	IP65
Wiring Section	2,5 mm ² / 4,0 mm ²
Limits	
Maximum system voltage	V_{sys} (V) 1.000
Operating module temperature	°C -40...+85
Temperature Coefficients	
Temperature Coefficient of P_{mpp}	%/°C -0,19
Temperature Coefficient of V_{oc}	%/°C -0,28
Temperature Coefficient of I_{sc}	%/°C +0,09

* All technical specifications are subject to change without notice by Onyx Solar

PV GLASS DIMENSIONS



PV GLASS CONFIGURATION



NOTES

* For optical and further mechanical properties, please go to:

Technical Guide. 7.-Other Properties.

* Optional: Insulating Glass Unit. U value (W/sqm.K), please go to:

Technical Guide. 8.-Insulating Glass Unit.

* Junction box type and location should be approved by the customer.

