



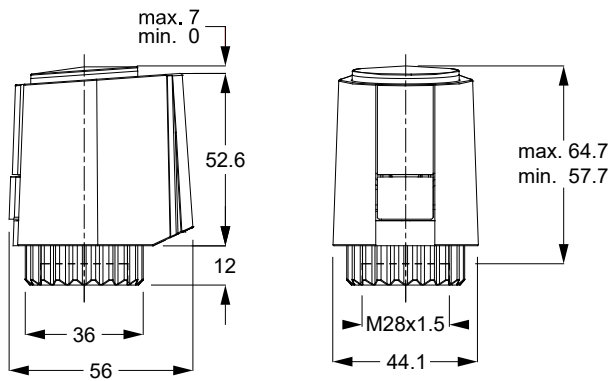
DESCRIPTION

A54204

Thermo electrical actuator 230V ON/OFF - PWM N.C. (Normally Closed) with integrated micro switch complete of adaptor VA64 to be installed on:

- Pettinaroli's radiator valve with thermostatic option (M28x1.5)
- Pettinaroli's brass, plastic and stainless steel manifolds (M28x1.5)
- Pressure Independent Control Valve 91 / 91-1 / 91X / 92 (½" and ¾")

DIMENSIONS



dimensions in mm

TECHNICAL DATA/ FEATURES

Type	ON/OFF - PWM - N.C.	Ambient temperature	0° / + 60 °C
Operating voltage	230Vac ± 10% - 50/60 Hz	Type of protection	IP54 / II
Max. Inrush current	<550 mA – 100 ms max	Weight	150 g
Stroke (actuator level)	4 mm	Colour	grey RAL7035
Operating Power	1 W	Connecting cable type	H05V2V2-F- 4 x 0.75 mm ²
Opening/Closing time	~3,5 min.	Connecting cable length	1 m
Actuating force	100 N ± 5 %	Surge protection	2.5kV (EN 60730-1)
Fluid temperature	0 / + 100°C	Micro switch (230 V AC)	1A inductive / 5A ohmic
Storage temperature	-25° / + 60 °C	Switchin point micro switch	2 mm
		Adaptor included	VA64

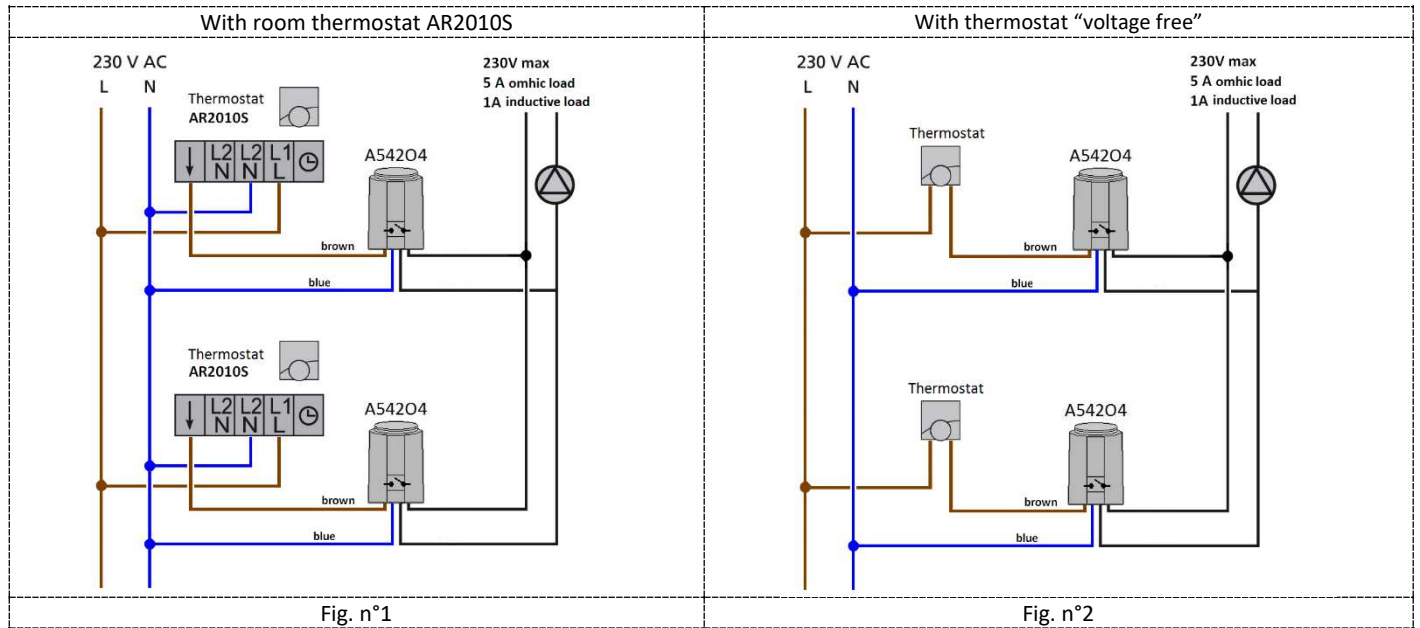
The actuators A54204 are a 230V thermoelectric valve drive suitable to control the flow on the heating and/or cooling installation in function of the room temperature value when the installer need a supplementary control (i.e. pump control) in function of the actuator state (Open/close); the integrated micro switch (voltage free contact) allows direct operation of a pump, or fan coil or lighting signal.

The actuators A54204 are N.C. so, if is on the de-energized state, will be close (from the hydraulically point of view) but on the same time the micro switch will be electrically open. The actuators A54204 could be connected to "voltage free" room thermostat. To have more details regarding the wiring connection look the specific paragraph.

APPROVALS



WIRING DIAGRAMS



LEGENDA

N = neutral
F = line

INSTALLATION NOTES

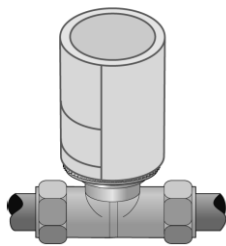


Fig.4

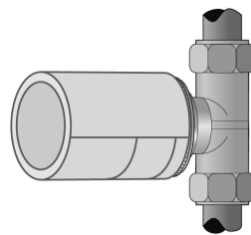


Fig.5

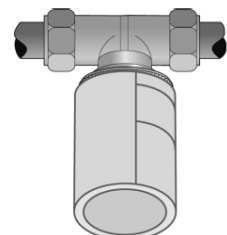


Fig.6

Vertical (Fig.4) or Horizontal (Fig.5) installation are recommended. An upside down (Fig.6) installation may reduce product life through special circumstances (i.e. contaminated water).

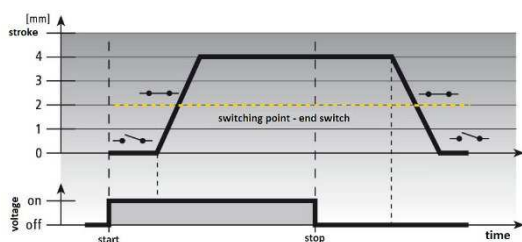
FIRST OPEN FUNCTION

The actuators A54204 are Normally Close (N.C.), so on the de-energized state, they will be close from the hydraulically point of view. Nevertheless the installation onto the “valve” is simple thanks to the “First Open Function”: the actuator is delivered partially open.

Applying the operating voltage for more than 6 minutes the “First-Open function” will be unlocked.

It's recommended to apply the actuator only after that all the hydraulically installation phase are really completed.

CHARACTERISTIC CURVE



On this diagram is represented the characteristic line for the actuators A54204 230V ON/OFF-PWM N.C. (Normally Close). The integrated micro switch is switched with a travel path of approximately 2 mm

NOTE

The actuators series A54204 replace the previous series AA2021/AA2024