



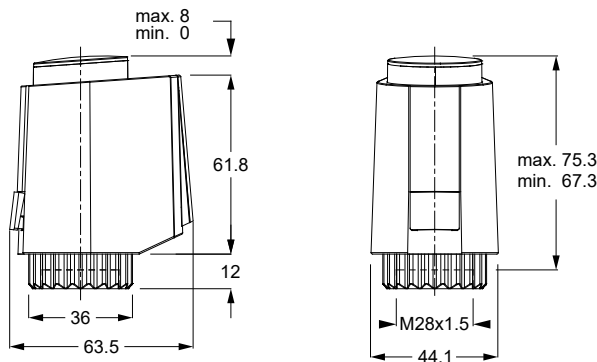
DESCRIPTION

A564P3

Thermo electrical actuator 24V N.C. (Normally Closed) with proportional control 0-10V complete of adaptor VA64 to be installed on:

- Pressure independent control valve 93 / 92 (1")

DIMENSIONS



dimensions in mm

TECHNICAL DATA/ FEATURES

Type	Proportional - N.C.	Fluid temperature	0 / + 100°C
Operating voltage	24V AC + 20% - 10%	Storage temperature	-25° / + 60 °C
Control voltage	0-10V DC	Ambient temperature	0° / + 60 °C
Max. Inrush current	<320 mA – 2 min max	Type of protection	IP54 / III
Operating Power	1,2 W	Weight	111 g
Resistance of control voltage input	100 kΩ	Colour	White
Stroke (actuator level)	6.5 mm	Connecting cable type	LiYY - 3 x 0.22 mm ²
Travelling time	30 sec/mm.	Connecting cable length	1 m
Actuating force	125 N ± 5 %	Surge protection	1 kV (EN 60730-1)
		Adaptor included	VA64

The actuators A564P3 are a 24V N.C. (0/10V) thermoelectric valve drive suitable to have proportional control the flow on the heating and/or cooling installation in function of the room temperature.

The control of A564P3 is performed by a 0-10V DC signal via central BMS (Building Management System) or by a special room thermostat generating a 0-10V signal. The actuators A564P3 are N.C. so, if are on the de-energized state, will be close (from the hydraulically point of view)

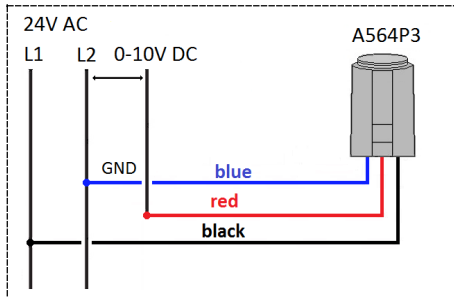
Normally the act actuators A564P3 24V N.C. (0/10V) are applied to the pressure independent control valve EVOPICV Series 93 and 92 1".

To have more details regarding the wiring connection look the specific paragraph.

APPROVALS



WIRING DIAGRAMS



INSTALLATION NOTES

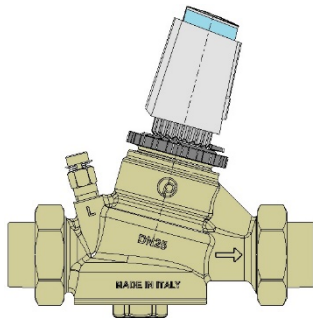


Fig.1

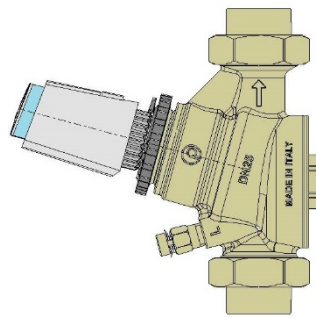


Fig.2

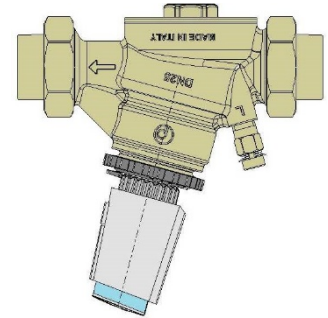


Fig.3

Vertical (Fig.1) or Horizontal (Fig.2) installation are recommended. An upside down (Fig.3) installation may reduce product life through special circumstances (i.e. contaminated water).

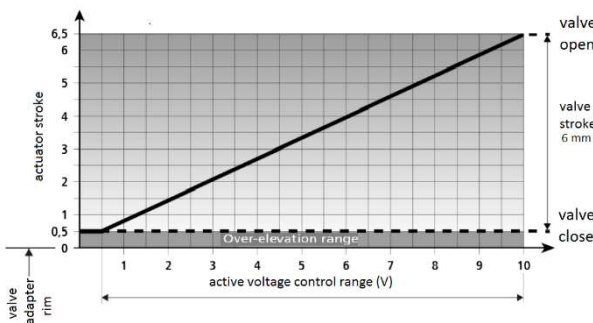
FIRST OPEN FUNCTION

The actuators A564P3 are Normally Close (N.C.), so on the de-energized state, they will be close from the hydraulically point of view. Nevertheless the installation onto the “valve” is simple thanks to the “First Open Function”: the actuator is delivered partially open.

Applying the operating voltage for more than 6 minutes the “First-Open function” will be unlocked.

It's recommended to apply the actuator only after that all the hydraulically installation phase are really completed.

CHARACTERISTIC CURVE



On this diagram is represented the characteristic line for the actuators A564P3 24V (0/10v) N.C. (Normally Close) when installed on the pressure independent control valve EVOPICV Serie 93.

NOTE

The actuators series A564P3 replace the previous series APR40625