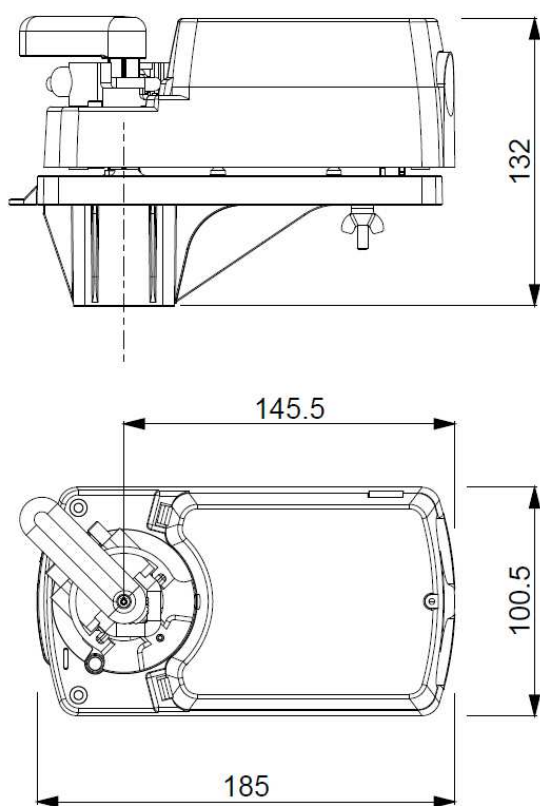


DESCRIPTION

SN08

24V electromotive actuator floating (3 points) and ON/OFF (2 points) to drive Pressure Independent Control Valve **EvoPICV series 81 and 83**. With manual override and angle limitation system. 1 m cable included.

DIMENSIONS



Dimensions in mm

TECHNICAL FEATURES

Type	Floating and ON/OFF
Supply voltage	24V AC/DC ±20% – 50/60 Hz
Power consumption	4.5 W – Stand-by 0.3 W
Max. rotation	0 – 90°
Angle limitation	5 – 85° (increment 5°)
Torque	8 Nm
Running time	31 s – 90°
Life cycle	60.000
Storage temperature range	-30° / + 70°C (@)
Ambient temperature range	-20° / + 50° C (@)
Humidity range	5-95% RH
Degree of protection	IP54/II
Weight	1.09 kg
Colour	Black/Blue
Cable	1 m
Connection to valve	F03, 9mm square, EN5211
Noise level	45 dB(A)

(@) no condensation

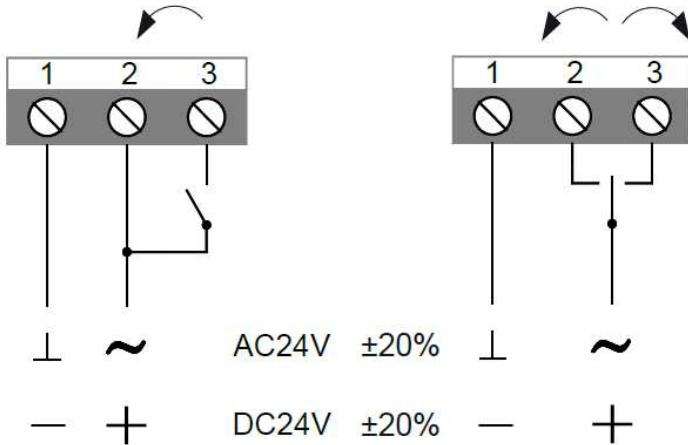
Electromotive actuators **SN08 - 24V** are used to make floating control systems (usually known as “3 points”) and ON/OFF (“2 points”) of HVAC installations where **EvoPICV** balancing valves are exploited. It can be installed on **DN40 and DN50 83** series with the presetting tool **081PR1**. It can be also run onto **81, 83 DN25-DN32** and **83 DN40-DN50** without presetting tool. To preset the valves, please refer to dedicated technical specifications.

For further information about electrical connections, see the specific section.

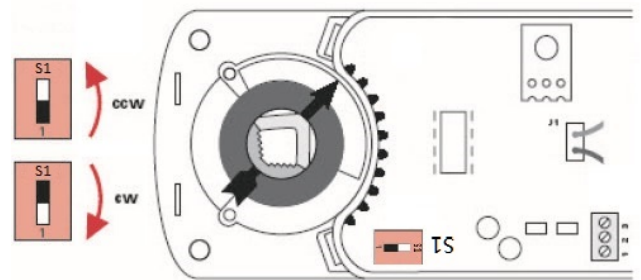
APPROVALS



CONNECTION SCHEMES



ROTATION DIRECTION SETTING

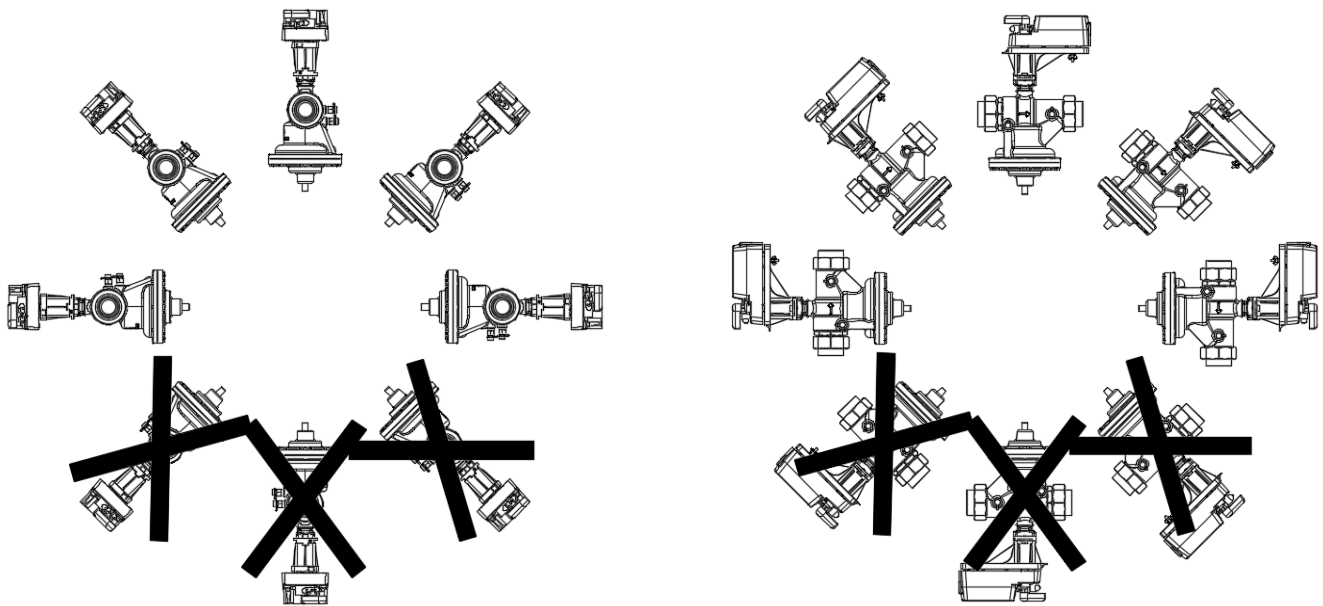


S1 ON: clockwise;
S1 OFF: counter clockwise;

With factory settings (see picture above, S1 OFF), if wires 1 and 2 are connected the valve opens; if wires 1 and 3 are connected valve closes.

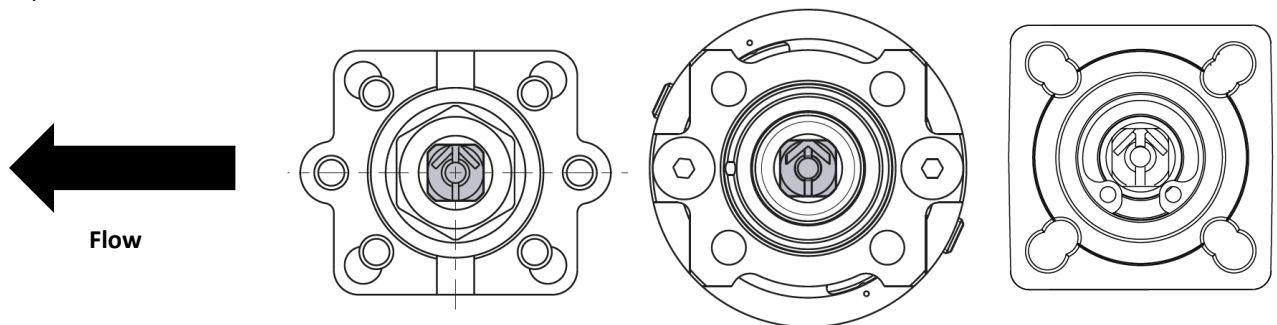
INSTALLATION

It is highly suggested to install **SN08** electromotive actuators in safe orientation that means potential leakage from the stem does not damage them. Thus any upside down installation must be avoided.

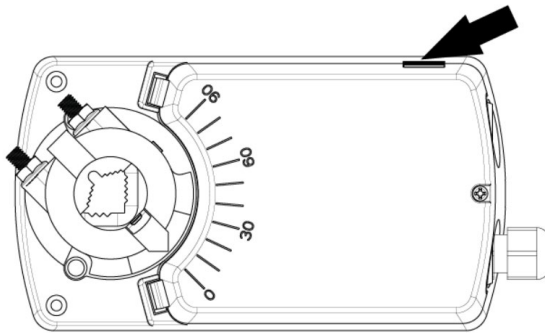


Mounting on valves

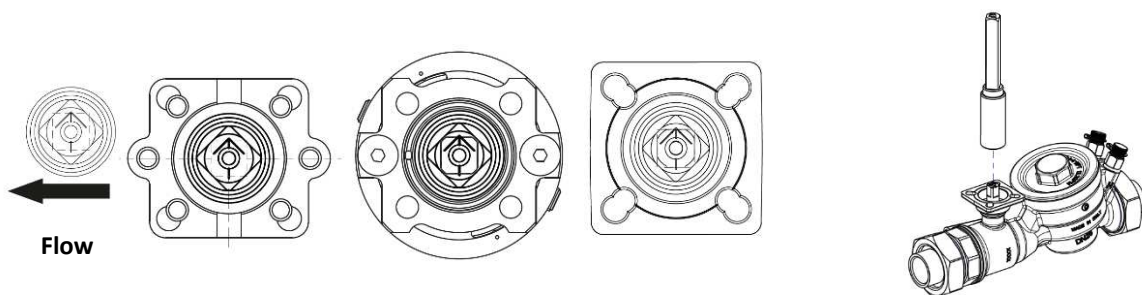
1. Close the valve by rotating clockwise the stem, getting it as in the picture below: the arrow must be right oriented with respect to the flow direction.



- Close the actuator (arrow toward 0°) by pushing the manual override (black button on the right) and rotating clockwise. In case the actuator is already closed, skip this point.



- Place the stem adapter on the valve stem and make sure the arrow on the adaptor is aligned with the arrow on the valve stem.



- Place the plastic support and fix it through the 4 screws according to the valve type. Then, place the actuator (in position 0°), block it behind and fix the stem adapter. Assembly the lever.

