



DESCRIPTION

52F

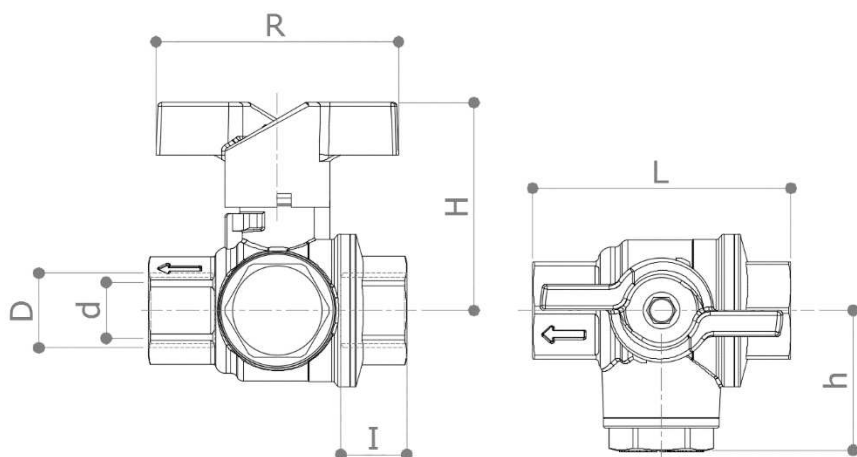
F x F heavy duty ballvalve **Filterball®** with integrated strainer FM28. Very easy to inspect and maintain.

Blue or red (**52FROS**) butterfly handle.

Made in DZR alloy.

Conform to **EN 13828** standard

DIMENSIONS



| D | ½" | ¾" | 1" |
|-------------------|-----|-----|------|
| d | 18 | 20 | 28.5 |
| H | 54 | 54 | 69.5 |
| h | 37 | 37 | 51 |
| I | 15 | 16 | 21.5 |
| L | 69 | 69 | 95 |
| R | 65 | 65 | 75 |
| Weight [g] | 410 | 425 | 1110 |

Dimensions in mm

All threads are conform to ISO 7 or ISO 228 standards

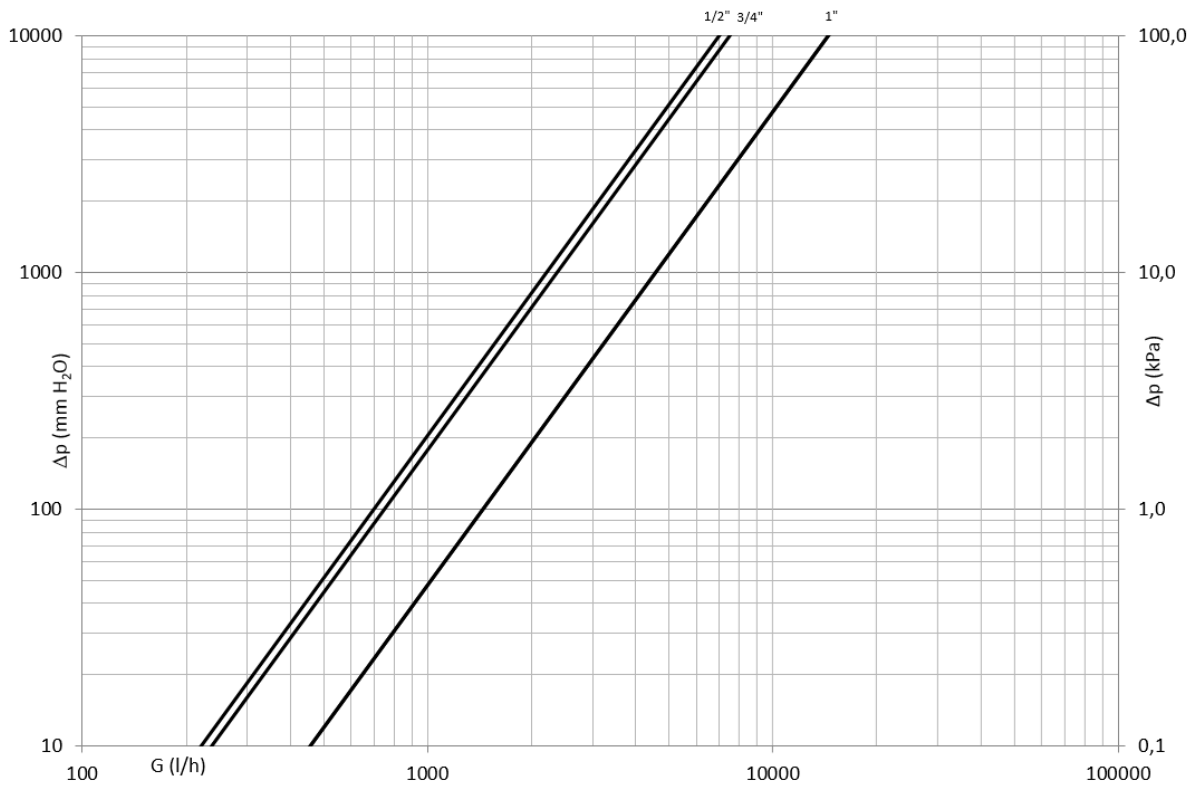
MATERIALS

- Body** CW602N (EN 12167) CuZn36Pb2As
- Ball** CW602N (EN 12167) CuZn36Pb2As Chrome plated
- Stem** CW602N (EN 12167) CuZn36Pb2As
- Stuffing box** CW614N (EN 12164) CuZn39Pb3 Adjustable
- Strainer** Stainless steel
- Seeger** Phosphoric bronze
- Seat** 2 x PTFE + 1 x PTFE on the stem
- O-Rings** 2 x FKM
- Handle** Painted aluminum

APPROVALS



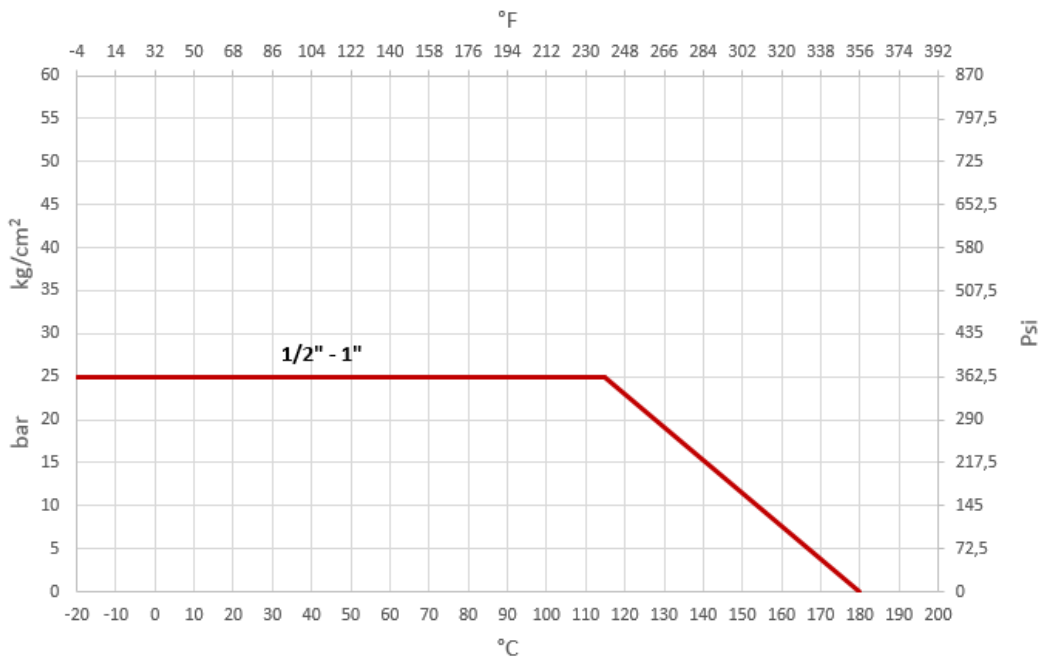
PRESSURE DROP DIAGRAM



| Dim. | 1/2" | 3/4" | 1" |
|------|------|------|------|
| Kv | 7 | 7.5 | 14.5 |
| PN | 25 | 25 | 25 |

Kv values got by using FM28 strainer.

TEMPERATURE / PRESSURE DIAGRAM



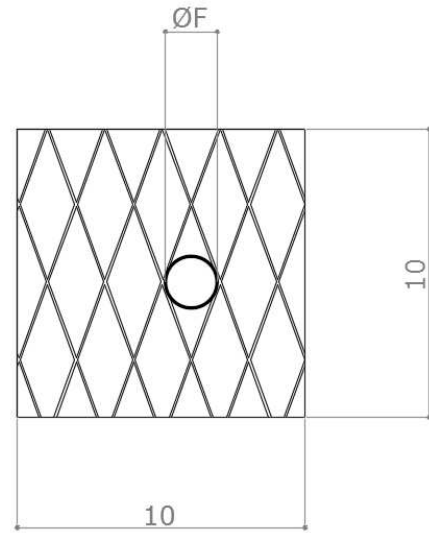
RECOMMENDED WORKING TEMPERATURE/PRESSURE LIMITS

- 16 bar – 100°C – non shock
- 10 bar – 150°C – non shock
- Max differential pressure: 10 bar

AVAILABLE STRAINERS

Here the table with all the available strainers:

| Type | Mesh per linear 1" | Filtering capacity | Casing |
|------------------|--------------------|--------------------|--------|
| FM020 FM020N* | 20 | Ø 800 µm (0,8 mm) | Single |
| FM028 FM028N* | 28 | Ø 700 µm (0,7 mm) | Single |
| FM040 FM040N* | 40 | Ø 300 µm (0,3 mm) | Single |
| FM060 FM060N* | 60 | Ø 230 µm (0,23 mm) | Double |
| FM080 FM080N* | 80 | Ø 180 µm (0,18 mm) | Double |
| FM100 FM100N* | 100 | Ø 150 µm (0,15 mm) | Double |

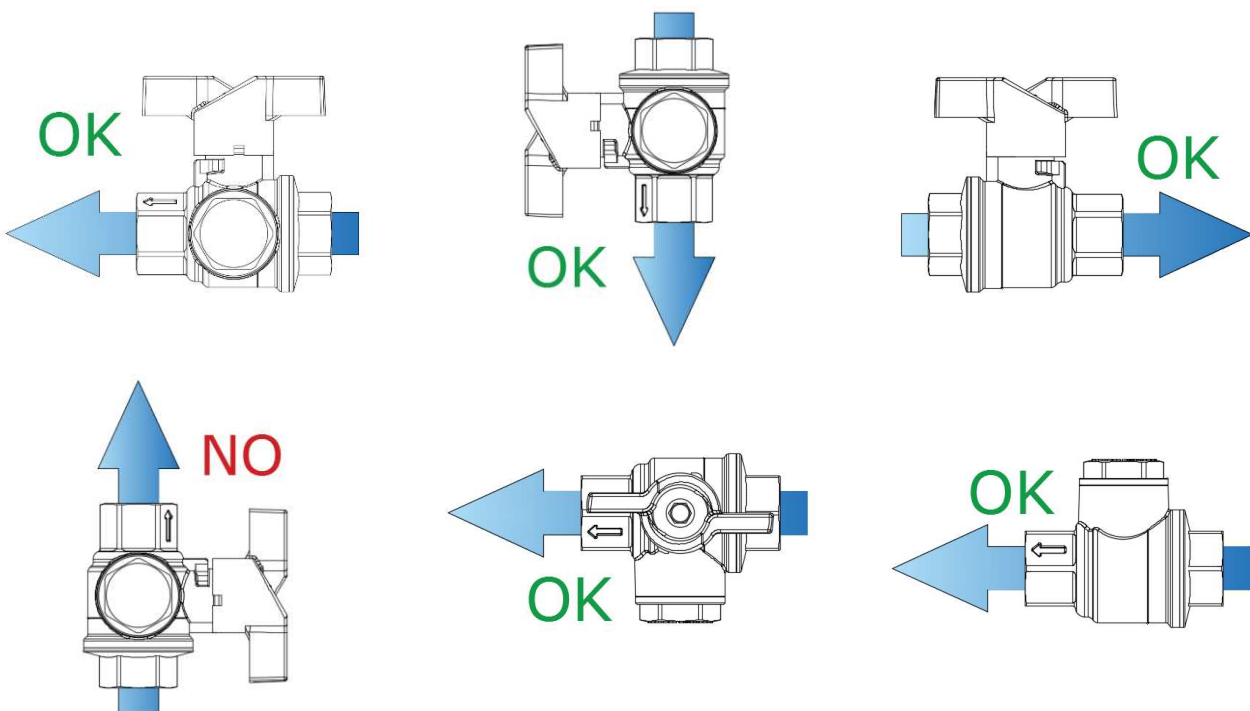


Pressure loss – Kv values

| Type | ½" | ¾" | 1" |
|------------------|-----|-----|------|
| FM020 FM020N* | 7.4 | 7.8 | 15.3 |
| FM028 FM028N* | 7 | 7.5 | 14.5 |
| FM040 FM040N* | 5.2 | 5.4 | 12.1 |
| FM060 FM060N* | 4.4 | 4.6 | 11.4 |
| FM080 FM080N* | 4.8 | 5 | 11.4 |
| FM100 FM100N* | 4.4 | 4.6 | 9 |

* Compatible with Filterball 52F ½" – ¾" starting from production batch 1237

INSTALLATION



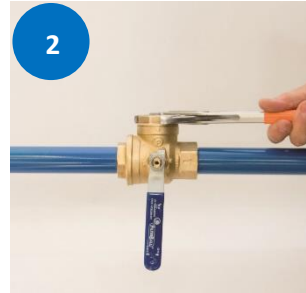
MAINTENANCE

In order to avoid an increasing of pressure losses due to scales, a yearly strainer cleaning is suggested. Please follow the instruction below to carry out the strainer maintenance:



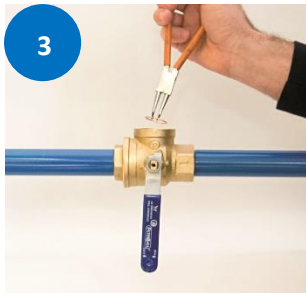
1

- Close the valve



2

- Unscrew the inspection cap



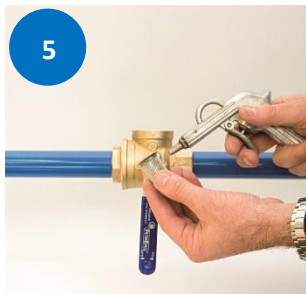
3

- Remove the Seeger ring



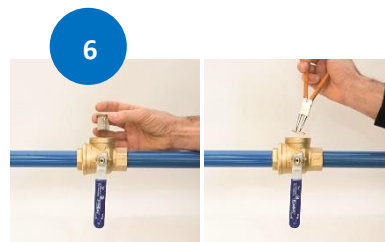
4

- Take the strainer out



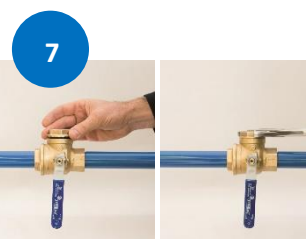
5

- Clean or change the strainer



6

- Insert the strainer and lock it with Seeger ring



7

- Screw and close the cap



8

- Open the valve