

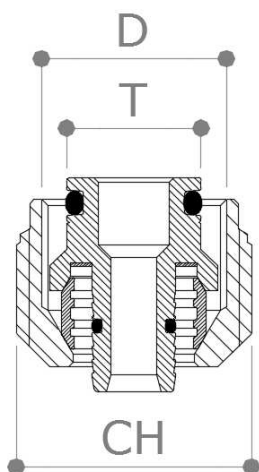


DESCRIPTION

# 3015SCR

Complete adapter for multilayer pipe.  
 For manifolds series **7035** and **K7500**, manual radiator valves, radiator valves with thermostatic option and lockshields.  
 Anti dezincification brass DZR.  
 Available finishing: yellow, nickel plated  
 Conform to standard **EN1254-3**

DIMENSIONS



Type	"16"	"18"	"¾"	"1"
<b>D</b>	22/19 x 1"	23/19 x 1"	¾"	1"
<b>T</b>	16	18	18	24.7
<b>CH</b>	25	26	30	38
<b>Weight [g]</b>	55	60	60	65

Dimensions in mm

T = Nominal dimension of internal bore

MATERIALS

- Nut** CW614N (UNI EN 12164) CuZn39Pb3 or CW617N (UNI EN 12165) CuZn40Pb2
- O-Ring** EPDM + NBR
- Gasket** PTFE
- Pipe clamp** CW614N (UNI EN 12164) CuZn39Pb3
- Insert** CW602N (UNI EN 12164) CuZn36Pb2As

RECOMMENDED WORKING TEMPERATURE/PRESSURE LIMITS

10 bar – 90°C (always verify the max operating temperature of the pipe)

AVAILABLE PRODUCTS

	Yellow	Nickel
16 x 14/10	√	√
16 x 16/11.6	√	√
16 x 16/12	√	√
18 x 14/10	√	√
18 x 16.2/11		√
18 x 16/11.6		
18 x 16/12	√	√
18 x 17/12		
18 x 18/14	√	√

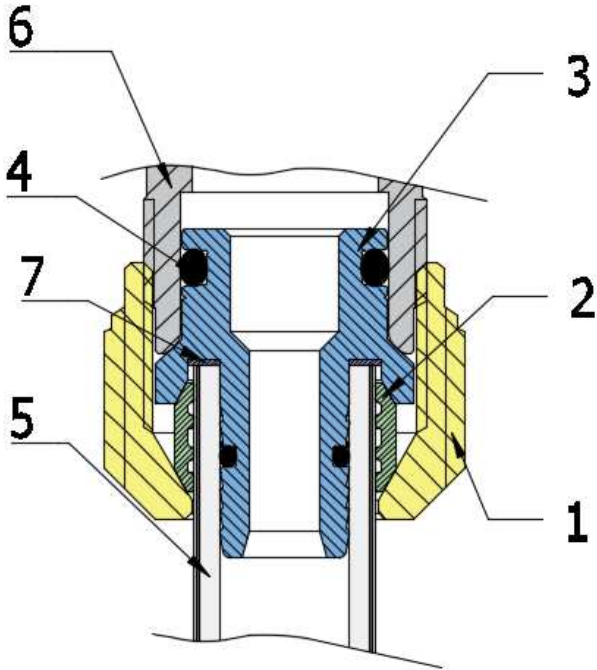
	Yellow	Nickel
¾" x 18) x 14/10	√	√
¾" x 18) x 16.2/11	√	√
¾" x 18) x 16/11.6		
¾" x 18) x 16/12	√	√
¾" x 18) x 17/12		
¾" x 18) x 18/14	√	√
¾" x 18) x 20/15.5	√	√
¾" x 18) x 20/16	√	√
1" x 24.7) x 26/20	√	

Line colours correspond to colour of bag where they are packed.

**INSTALLATION**

Follow the procedure to correctly install the adapter:

1. Cut the pipe vertically (perpendicular to the axis) by using a wheel pipe cutter
2. Be sure the pipe is free of internal burrs; remove any burr in order to make easier the adaptor fitting.
3. Put on the nut, pipe clamp, the PTFE ring and insert in this order
4. Couple the adapter and the valve and tighten the nut



- |              |               |           |
|--------------|---------------|-----------|
| 1. Nut       | 2. Pipe clamp | 3. Insert |
| 4. O-Ring    | 5. Pipe       | 6. Valve  |
| 7. PTFE ring |               |           |