



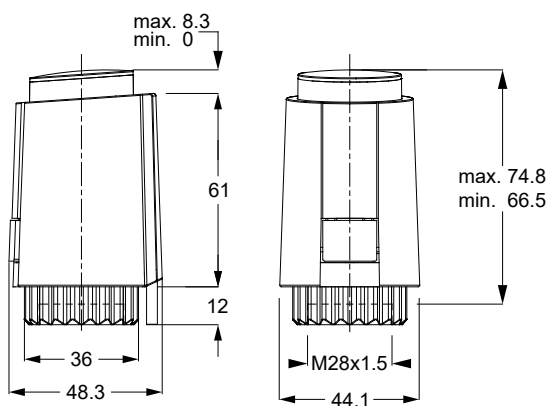
DESCRIPTION

A56102

Thermo-electrical actuator 120V ON/OFF-PWM N.C. (Normally Closed) with VA64 adaptor included can be installed on:

- Pressure independent control valve EVOPICV 93 Series and 92 1"

DIMENSIONS



Dimensions on mm

TECHNICAL DATA/ FEATURES

Type	ON/OFF-PWM - N.C.	Ambient temperature	0° / + 60 °C
Operating voltage	120Vac ± 10% - 50/60 Hz	Type of protection	IP54 / II
Max. Inrush current	<450 mA – 100 ms max	Weight	110 g
Stroke (actuator level)	6.5 mm	Colour	Grey RAL7035
Operating Power	1.2 W	Connecting cable type	2 x AWG 18
Opening/Closing time	4.5 min.	Connecting cable length	1 m
Actuating force	125 N ± 5 %	Surge protection	2.5kV (EN 60730-1)
Medium temperature	0 / + 100°C	Included adaptor	VA64
Storage temperature	-25° / + 60 °C		

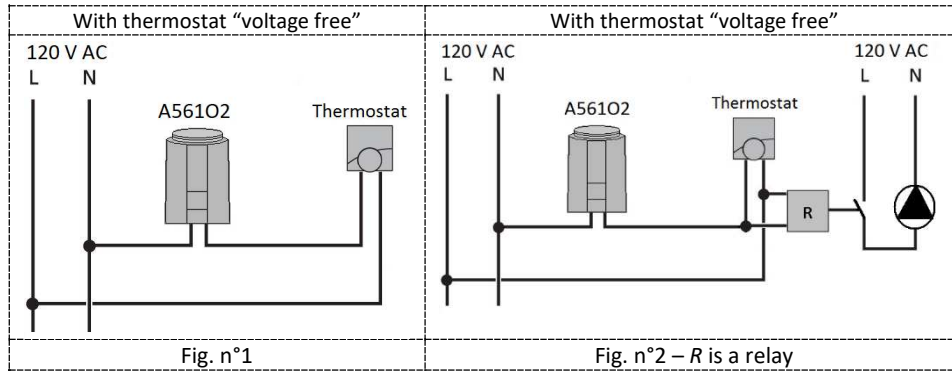
The actuators A56102 are a 120V thermoelectric valve drive suitable to control the flow on the heating and/or cooling installation in function of the room temperature value. If the installer need a supplementary control (i.e. pump control) in function of the actuator state (Open/close) is recommended to adopt relay (look the specify paragraph dedicated to the wiring diagrams – Figure n°2).

The actuators A56102 are N.C. so, if is on the de-energized state, will be close from the hydraulically point of view; the actuators A56102 could be connected to “voltage free” room thermostat. To have more details regarding the wiring connection look the specific paragraph.

APPROVALS



WIRING DIAGRAMS



LEGENDA

- N = neutral
- F = Line
- R = Relay

INSTALLATION NOTES

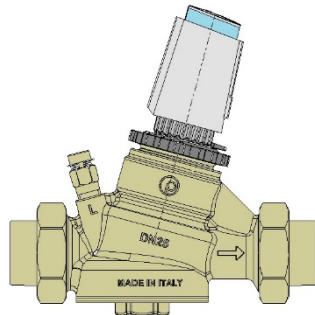


Fig.3

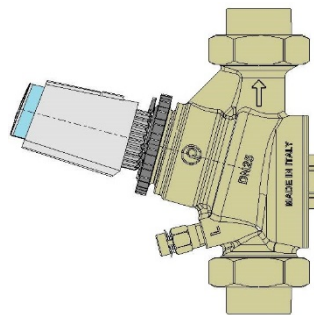


Fig.4

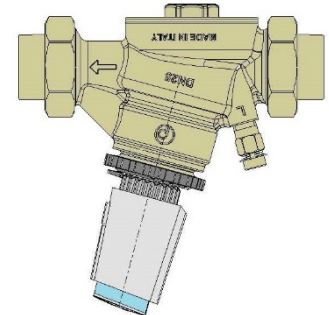


Fig.5

Vertical (Fig.3) or Horizontal (Fig.4) installation are recommended. An upside down (Fig.5) installation may reduce product life through special circumstances (i.e. contaminated water).

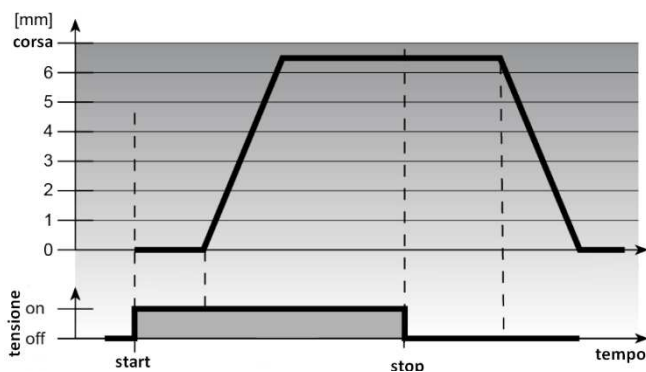
FIRST OPEN FUNCTION

The actuators A56102 are Normally Close (N.C.), so on the de-energized state, they will be close from the hydraulically point of view. Nevertheless the installation onto the "valve" is simple thanks to the "First Open Function": the actuator is delivered partially open.

Applying the operating voltage for more than 6 minutes the "First-Open function" will be unlocked.

It's recommended to apply the actuator only after that all the hydraulic installation phase are really completed

CHARACTERISTIC CURVE



On this diagram is represented the characteristic line for the actuators A56102 120V ON/OFF-PWM N.C. (Normally Close).