

DESCRIPTION

# XT704



Prefabricated Commissioning Solution with 70 mm flushing bypass, **linear dirt resistant PICV**, **Filterball®** shut off valve with integrated strainer, drain valve, air vent and additional test point.

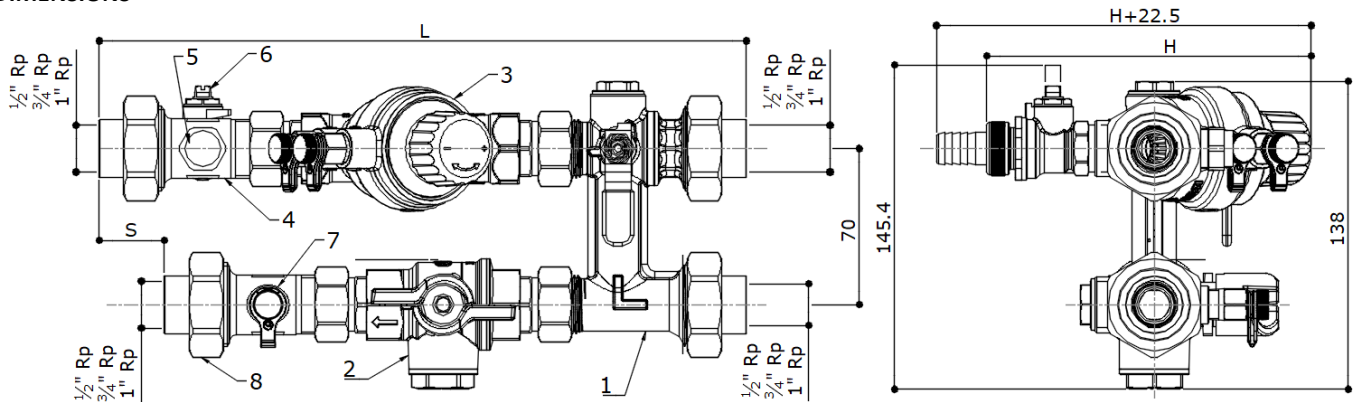
The kit is ready to be install and provides with all components required for commissioning and operation of FCU. By-pass avoids reverse flushing across the PICV.

100% factory tested against leakage.

Fully maintainable **PICV** test point for commissioning and system optimization.

**Filterball** valve with blowout proof stem, triple sealing technology and adjustable packing gland.

DIMENSIONS



Dimensions in mm

Kit	L	S	H	Weight [g]
XT704 - ½" – 150 l/h	264	2.6	143.5	2700
XT704 - ½" – 450 l/h	264	2.6	143.5	2700
XT704 - ½" – 850 l/h	279	10.5	144.5	2900
XT704 - ¾" – 1000 l/h	290.5	29	144.5	2940
XT704 - ¾" – 1850 l/h	290.5	29	144.5	2940
XT704 - 1" – 2500 l/h	318	24	174.5	3350
XT704 - 1" – 3300 l/h	318	24	174.5	3350

MATERIAL LIST

#	Part number	QTY	Material
1	XT7BP	1	CuZn36Pb2As CW602N NDA
2	52F ½" or ¾"	1	CuZn36Pb2As CW602N NDA
3	92VL ½" – 150 l/h 92L ½" – 450 l/h 92H ½" – 850 l/h 92L ¾" – 1000 l/h 92H ¾" – 1850 l/h 92L 1" – 2500 l/h 92H 1" – 3300 l/h	1	CuZn36Pb2As CW602N NDA
4	1020P	2	CuZn40Pb2 CW617N
5	699C	1	CuZn39Pb3 CW614N
6	148ST	1	CuZn40Pb2 CW617N
7	T90	1	CuZn39Pb3 CW614N
8	B90CIL ½" - ¾" – 1"	4	CuZn40Pb2 CW617N

Please refers to dedicated technical specifications for further information and maintenance.

General XT technical submittal is also available for further information about XT range.

**ACCESSORIES (not included)**

- Soft thermal insulation with Velcro (multiple opening-closing), UL rated. If included, the product part n. becomes **XT704G**. For further technical details about the insulation, please refer to the dedicated specs.
- Flexible hoses **FX series**. If a pair of flexible hoses Mx300 mm and the thermal insulation, the product part n. becomes **X704GA**. For further technical details about the flexible hoses, please refer to the dedicated manual.
- Venturi fitting **CV90** series for flow rate measurement (accuracy ±3%)

**TECHNICAL FEATURES**

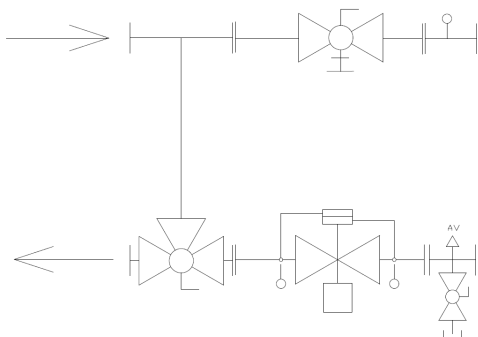
Centre to centre [mm]	Connections	Flow range		PICV min ΔP	Assembly min ΔP	Kv by-pass	Filtering capacity
		Min [l/h]	Max [l/h]	[kPa]	[kPa]		μm
70	½" F x ½" F unions	19	150	20	30	2.6	700
		42	450	35	40		
		157	850	30	35		
	¾" F x ¾" F unions	169	1000	30	35		
		276	1850	35	40		
	1" F x 1" F unions	160	2500	30	45		
		170	3300	30	45		

**DATA**

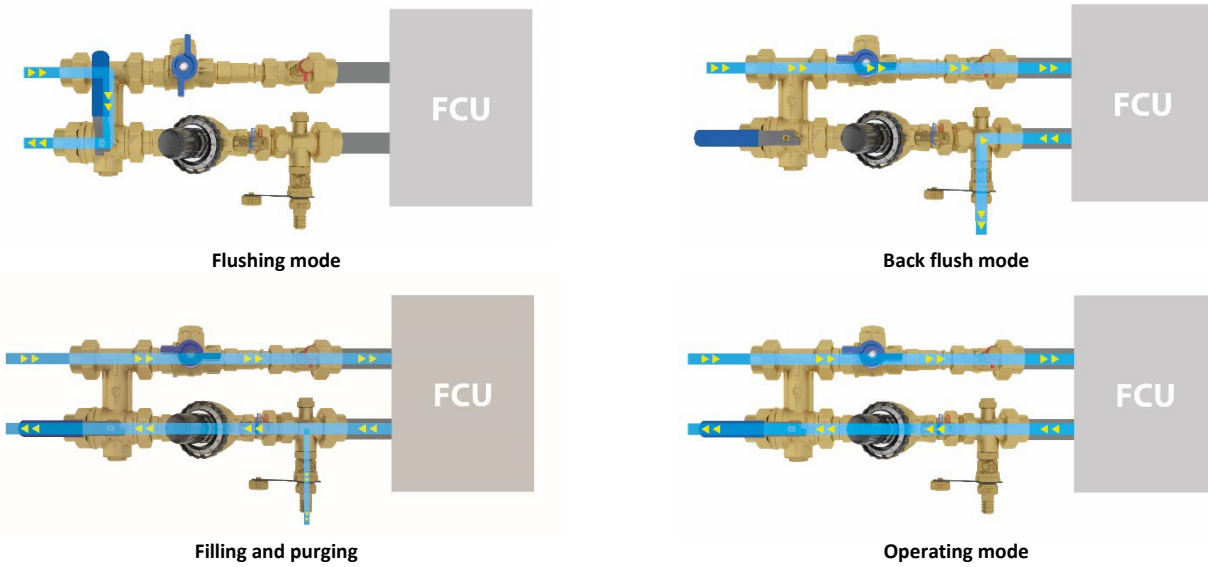
Feature	
Pressure rating	PN25 (PN16 with flexible hoses)
Flow rate range	19 – 3300 l/h dependent on valve selection
Working temperature range <sup>^</sup>	-10 - +100° C
Working differential pressure range	25 – 600kPa minimum depends on valve and setting
Flow control accuracy (hysteresis)	±5% till 1 bar DP, ±10% over 1 bar DP at 100% flow
Control valve characteristic	Linear
Control valve leakage rate to IEC 60534-4	Class IV
Thread types	BSP
Medium	Water or Water-Glycol 30%

<sup>^</sup>no frost and no steam. Under 0°C, glycol must be added. See temperature limits of flexible hoses and actuators (dedicated technical specifications). Water quality must comply requirements mentioned in PICV technical specification.

**SCHEMATIC**



OPERATIONS



Pictures shown are for illustration only. They show operating modes of a similar kit.

ACTUATORS

Type	Part number	Stroke	Adaptor
24 V, 0-10 V prop., feedback	VA7483	6.3 mm*	0A7010 or 0A748X
24 V, 0-10 V prop., feedback, fail safe	VA7484	6.3 mm*	0A7010 or 0A748X
24 V, 0-10 V prop., feedback	VM000	6.5 mm*	76TE (included)
24 V, 0-10 V prop., feedback, fail safe	VM060	6.5 mm*	76TE (included)
24 V, 3 Point Floating	VA7481	6.3 mm	0A7010 or 0A748X
230 V, 3 Point Floating	VA7481	6.3 mm	0A7010 or 0A748X
24 V, 0-10 V Proportional Thermic	A544P3	4 mm	VA64 (included)
24 V, ON-OFF PWM Thermic	A544O2 or A544O4	4 mm	VA64 (included)
230 V, ON-OFF PWM Thermic	A542O2 or A542O4	4 mm	VA64 (included)
24 V, 0-10 V Proportional Thermic	A564P3	6.5 mm	VA64 (included)
24 V, ON-OFF PWM Thermic	A564O2	6.5 mm	VA64 (included)
230 V, ON-OFF PWM Thermic	A562O2	6.5 mm	VA64 (included)



VA7481, VA7483 and VA7484



A54 series



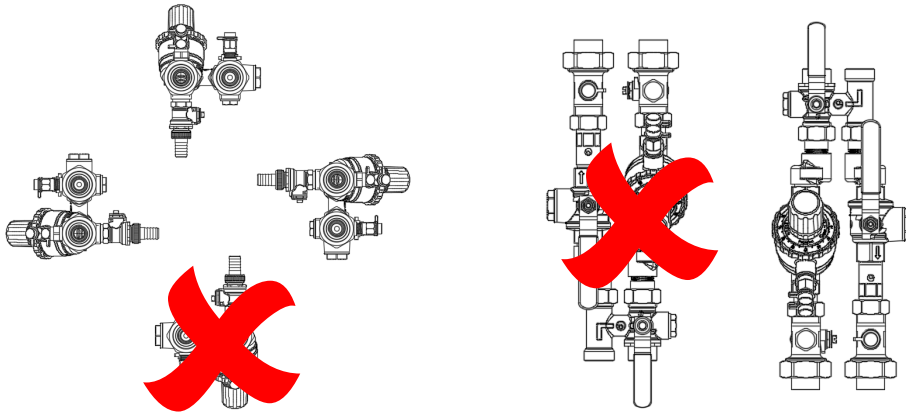
VM series

\*Stroke detection system

A56 series and adaptor 0A748X (for Va748\_ series) to be used on 2500 l/h and 3300 l/h kits.

**INSTALLATION**

The PICV can be installed in any position between vertical and horizontal for electrical safety reasons in case an actuator is mounted onto the valve. Upside down installation of the PICV must be avoided for electrical safety reasons.



Pictures shown are for illustration only.