



# 662

2-way control valve for fan coils for heating and cooling applications. As zone valve, its use is restricted by the working max differential pressure which limits the working flow rate range. Axial movement for flow rate control of terminal units.

Normally Open valve.

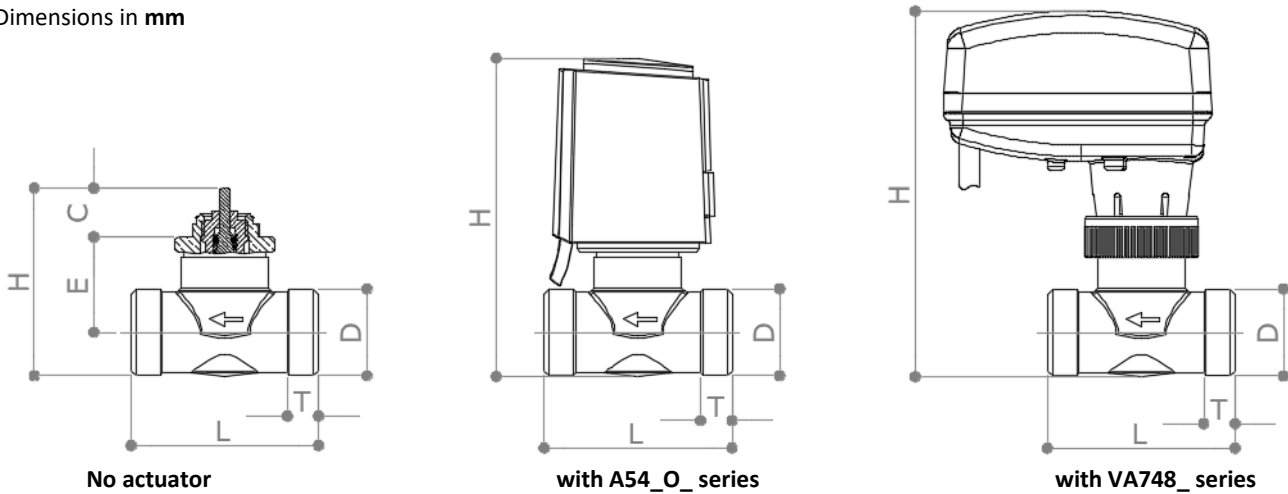
Male connections: fibre gaskets are suggested.

Provided with a commissioning cap. Suitable for actuators with threaded connection M30x1.5 (stroke 3 mm) to implement an ON/OFF control strategy.

NPT version (**662/3**) available upon request. Supplied with 2 unions. Available 1/2" – 3/4" – 1" Kv 4.2 – starting from DN20 model.

## DIMENSIONS

Dimensions in mm



No actuator

with A54\_O\_series

with VA748\_series

DN	10	15	20
D	G1/2"	G3/4"	G1"
T	8	8	8
H	54	56	60
L	53	56	65
E	27.5	28	30
C <sub>min</sub>	11.5		
C <sub>max</sub>	14.5		
Max width: 36 (cap)			

10	15	20
G1/2"	G3/4"	G1"
8	8	8
82	84	88
53	56	65
-	-	-
-	-	-
-	-	-
Max width: 48 (actuator)		

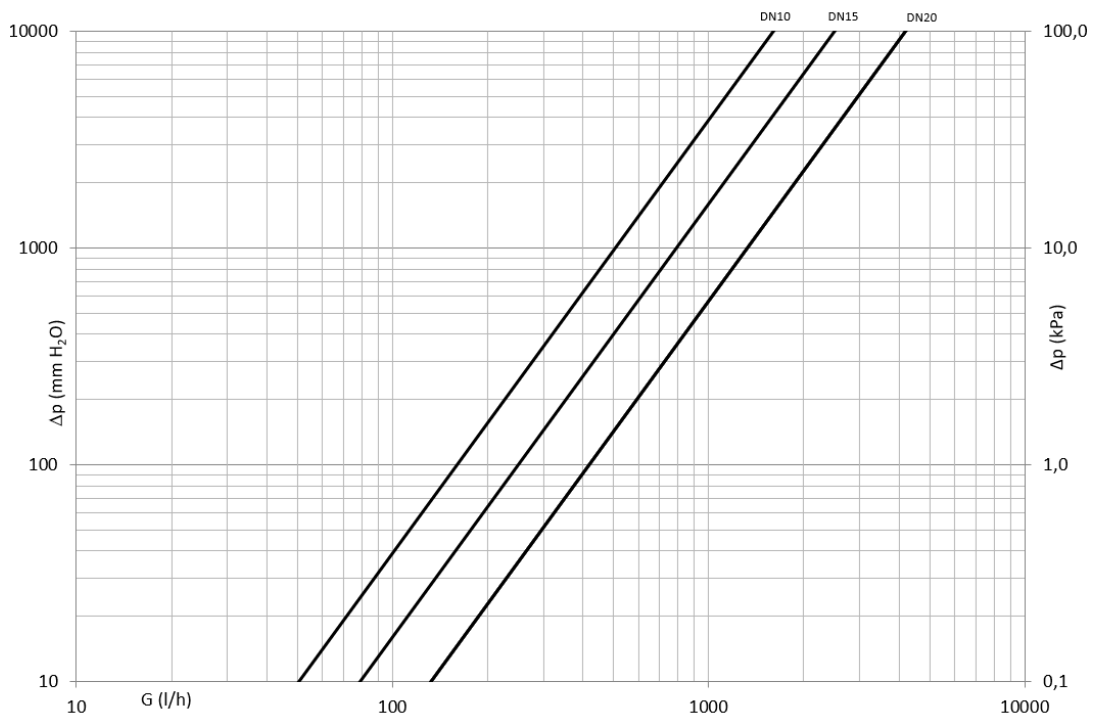
10	15	20
G1/2"	G3/4"	G1"
8	8	8
107	109	113
53	56	65
-	-	-
-	-	-
-	-	-
Max width: 49 (actuator)		

DN	10	15	20	DN	10	15	20
Weight [g]	180	180	255	Length of NPT unions	42	35	46

## MATERIALS

- Body** CW617N (EN 12165) CuZn40Pb2
- Headwork** CW614N (EN 12164) CuZn39Pb3
- Stem** CW614N (EN 12164) CuZn39Pb3 nickel plated
- Spring** Stainless steel AISI 302
- Stuffing box** CW614N (EN 12164) CuZn39Pb3
- O-Rings** 1 x EPDM + 3 x NBR
- Cap** White ABS

**PRESSURE DROP DIAGRAM**



Dim.	DN10	DN15	DN20
Kv	1.6	2.5	4.2
PN	16	16	16

**TECHNICAL FEATURES**

Feature	
Pressure rating	PN16
Working temperature range <sup>^</sup>	2°C - +120° C
Working differential pressure (no noise)	0.5 bar
Medium	Water or Water-Glycol 40%

<sup>^</sup>no frost and no steam.

Water quality must comply with UNI 8065. A strainer upstream is suggested.

**INSTALLATION SCHEMATIC**

The valve must be mounted according to the flow direction suggested by the arrow on the valve body.



CLOSE-OFF PRESSURE

Valve type	With cap	With thermoelectric actuator	With electric actuator
662 DN10	3 bar	2 bar	2 bar
662 DN15	3 bar	1.5 bar	2 bar
662 DN20	3 bar	1 bar	2 bar

According to the valve technology, it is mandatory not to exceed the above-mentioned maximum differential pressure values in order to ensure the right operation with all different actuators, despite it is installed as control valve (terminal units) or zone valve.

ACTUATORS

Type	Part number	Stroke	Adaptor
24 V, 3 Point Floating	VA7481	6.3 mm	-
230 V, 3 Point Floating	VA7481	6.3 mm	-
24 V, ON-OFF PWM Thermic	A544O2S	4 mm	VA80 (included)
230 V, ON-OFF PWM Thermic	A542O2S	4 mm	VA80 (included)
230 V, ON-OFF PWM Thermic	V542O2Q	4 mm	VA80 (included)

The valve can be installed on any position between the horizontal. Upside down installation must be avoided not to expose the actuator (if installed) to any water or dew.

