



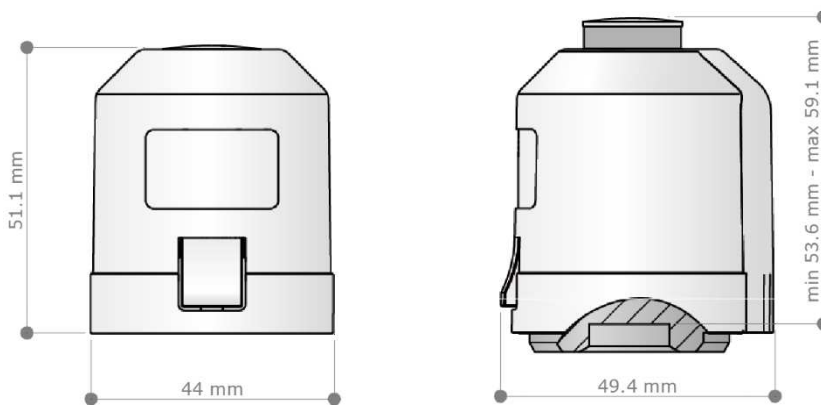
DESCRIPTION

**V54202Q**

Thermo electrical actuator 230V ON/OFF-PWM N.C. (Normally Closed), adaptor VA80 for installation included:

- Pettinaroli’s 2-way, 3-way and 4-way valves (**662**, **663** and **664**) (M30x1.5)

DIMENSIONS



TECHNICAL DATA/ FEATURES

|                         |                         |                         |                                  |
|-------------------------|-------------------------|-------------------------|----------------------------------|
| Type                    | ON/OFF-PWM - N.C.       | Storage temperature     | -25° / + 60 °C                   |
| Operating voltage       | 230Vac ± 10% - 50/60 Hz | Ambient temperature     | 0° / + 60 °C                     |
| Max. Inrush current     | 300 mA – 200 ms max     | Type of protection      | IP54 / II                        |
| Stroke (actuator level) | 4 mm                    | Weight                  | 100 g                            |
| Operating Power         | 2 W                     | Colour                  | grey RAL7035                     |
| Opening/Closing time    | ~3 min.                 | Connecting cable type   | H03VV - 2 x 0.75 mm <sup>2</sup> |
| Actuating force         | 100 N ± 5 %             | Connecting cable length | 1 m                              |
| Fluid temperature       | 0 / + 100°C             | Surge protection        | 2.5kV (EN 60730-1)               |
|                         |                         | Adaptor included        | VA80                             |

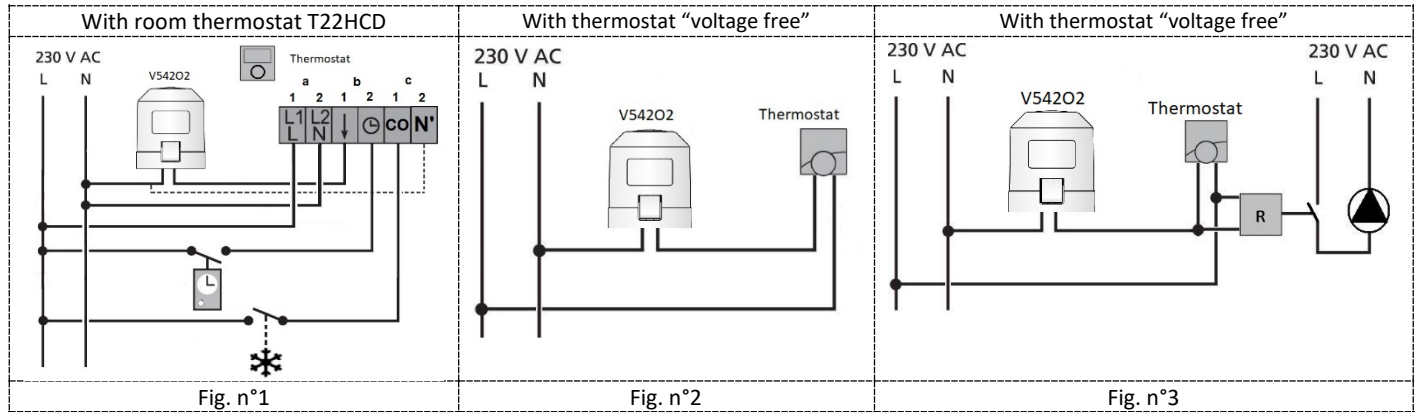
The actuators V54202Q are a 230V thermoelectric valve driver suitable to control the flow on the heating and/or cooling installation in function of the room temperature value. If the installer needs a supplementary control (i.e. pump control) in function of the actuator state (Open/close) is recommended to adopt relay (look the specify paragraph dedicated to the wiring diagrams – Figure n°3).

The actuators V54202Q are N.C. so, if the power is off, it will close; the actuator V54202Q could be connected to “voltage free” room thermostat. To have more details regarding the wiring connection look the specific paragraph.

APPROVALS



WIRING DIAGRAMS



LEGENDA

- N = neutral
- F = Line
- R = Relay

INSTALLATION NOTES

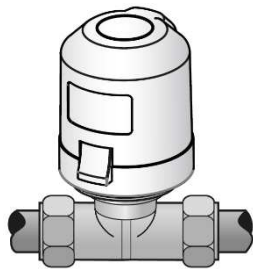


Fig.4

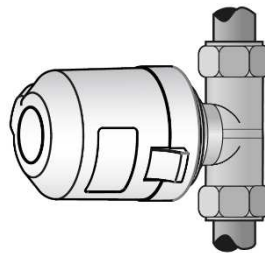


Fig.5

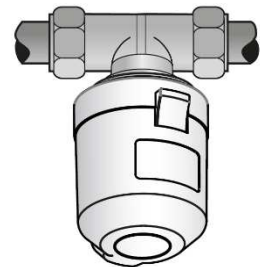


Fig.6

Vertical (Fig.4) or Horizontal (Fig.5) installation are recommended. An upside down (Fig.6) installation may reduce product life through special circumstances (i.e. contaminated water).

Before installing the actuator, make sure the VA80 adaptor has been correctly screwed on the valve.

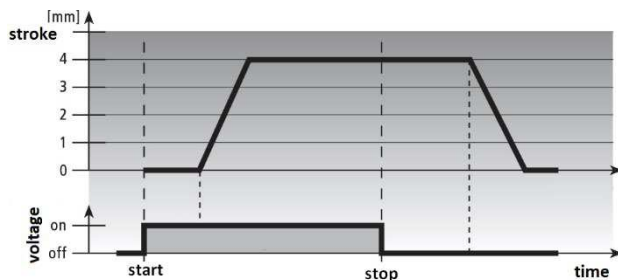
FIRST OPEN FUNCTION

The actuators V54202Q are Normally Close (N.C.), so on the de-energized state, they will close from the valve. Nevertheless the installation onto the "valve" is simple thanks to the "First Open Function": the actuator is delivered partially open.

Applying the operating voltage for more than 6 minutes the "First-Open function" will be unlocked.

It's recommended to apply the actuator only after that all the hydraulic installation phase is completed.

CHARACTERISTIC CURVE



The diagram beside shows the characteristic line of the actuators V54202Q 24V ON/OFF-PWM N.C. (Normally Close).