

DESCRIPTION

# XT1314G

Prefabricated Commissioning Solution with 130 mm flushing bypass, **linear and dirt resistant PICV**, **Filterball®** shut off valve with integrated strainer and 3-way control valve.

This kit is suitable for installation as end-of-line kit, allowing a small water circulation when all the terminal units are closed.

The kit is ready to be install and provides with all components required for commissioning and operation of FCU.

100% factory tested against leakage.

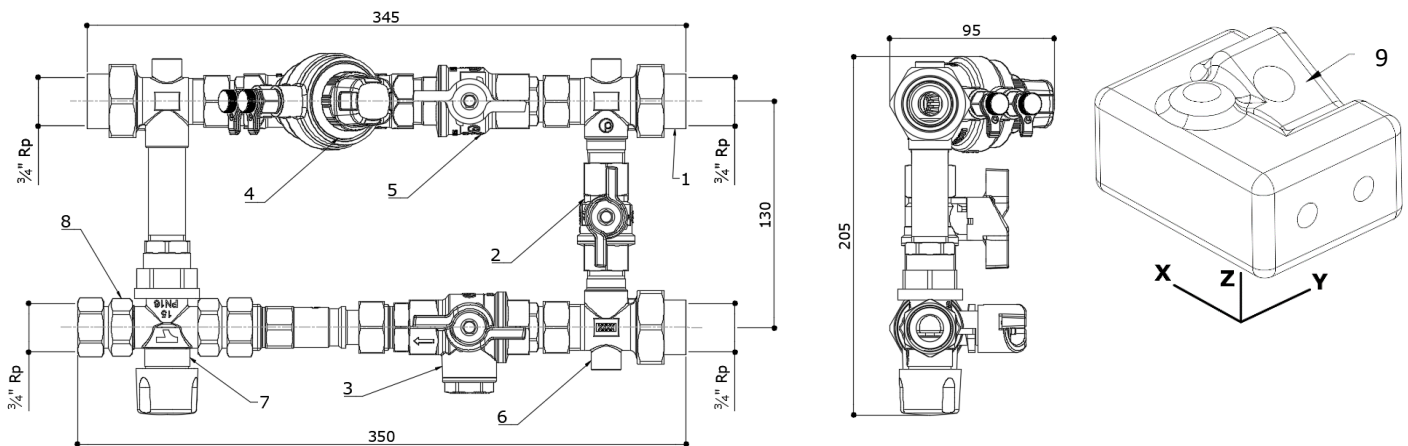
Fully maintainable **PICV** test point for commissioning and system optimization.

The flow rate control should be carried out through the 3-way control valve while the PICV works as flow limiter and commissioning valve (setting of maximum flow rate). The insulation is closed over the PICV, avoiding the installation of the actuator.

**Filterball** valve with blowout proof stem, triple sealing technology and adjustable packing gland.

Soft **thermal insulation** with Velcro (multiple opening-closing), UL rated, included. Thickness 20 mm.

DIMENSIONS



Kit	Weight [g]	Dimensions insulation		
		X	Y	Z
XT1314G - 3/4" – 1000 l/h	2230	380	240	128
XT1314G - 3/4" – 1850 l/h	2230	380	240	128

Dimensions in mm

MATERIAL LIST

#	Part number	QTY	Material
1	B90CIL 3/4"	2	CuZn40Pb2 CW617N
2	52 1/2"	1	CuZn40Pb2 CW617N
3	52F 3/4"	1	CuZn36Pb2As CW602N NDA
4	92L 3/4" – 1000 l/h 92H 3/4" – 1850 l/h	1	CuZn36Pb2As CW602N NDA
5	52/1 3/4"	1	CuZn40Pb2 CW617N
6	1020/1	2	CuZn40Pb2 CW617N
7	663 3/4" Kv 2.5	1	CuZn40Pb2 CW617N
8	1007WF 3/4"	1	CuZn39Pb3 CW614N
9	Insulation	1	Polyethylene cross linked foam

Please refers to dedicated technical specifications for further information and maintenance.

General XT technical submittal is also available for further information about XT range.

TECHNICAL FEATURES

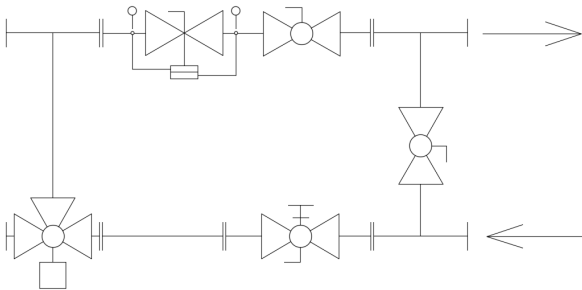
Centre to centre [mm]	Connections	Flow range		PICV min ΔP	Assembly min ΔP	Kv by-pass	Filtering capacity
		Min [l/h]	Max [l/h]	[kPa]	[kPa]		μm
130	3/4" F union x 3/4" F	50	1000	30	45	6.5	700
		75	1850	35	50		

DATA

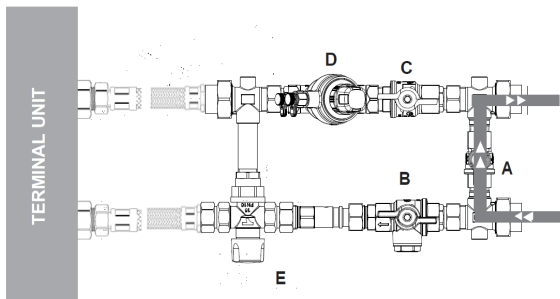
Feature	
Pressure rating	PN16
Flow rate range	50 – 1850 l/h dependent on valve selection
Working temperature range^	-10 - +100° C
Working differential pressure range	45 – 600kPa minimum depends on valve and setting
Flow control accuracy (linearity and hysteresis)	±5% till 1 bar DP, ±10% over 1 bar DP at 100% flow
Control valve characteristic	On/Off
Control valve leakage rate to IEC 60534-4	Class IV
Thread types	BSP
Medium	Water or Water-Glycol 30%

^no frost and no steam. Under 0°C, glycol must be added. See temperature limits of flexible hoses and actuators (dedicated technical specifications). Water quality must comply requirements mentioned in PICV technical specification.

SCHEMATIC

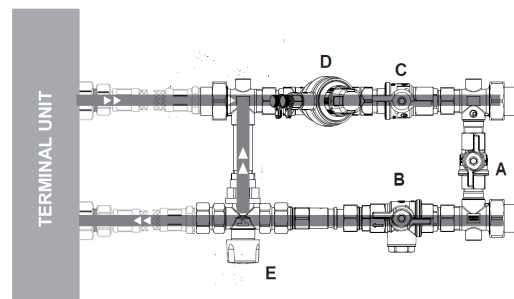


OPERATIONS



Flushing mode

A: Open; B: Closed; C: Closed; D: Closed; E: Closed



Operating mode

A: Closed; B: Open; C: Open; D: Open; E: actuated as needed

ACTUATORS (for 3-way valve)

Type	Part number	Stroke	Adaptor
24 V, 3 Point Floating	VA7481	6.3 mm	No needed
230 V, 3 Point Floating	VA7481	6.3 mm	No needed
24 V, ON-OFF PWM Thermic	A544O2S	4 mm	VA80 (included)
230 V, ON-OFF PWM Thermic	A542O2S	4 mm	VA80 (included)
230 V, ON-OFF PWM Thermic	V542O2Q	4 mm	VA80 (included)



VA7481



A54 series

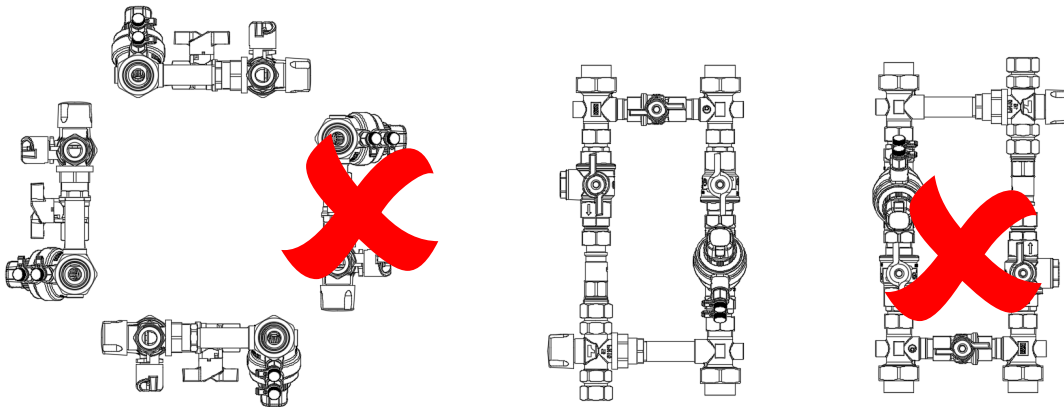


V54 series

\*Stroke detection system

INSTALLATION

The PICV can be installed in any position between vertical and horizontal. Upside down installation of the PICV must be avoided for electrical safety reasons.



Pictures shown are for illustration only.