



DESCRIPTION

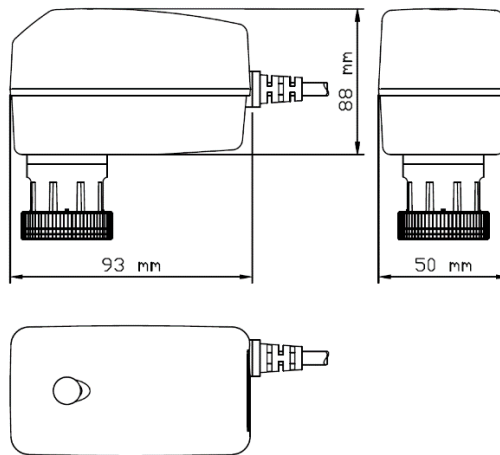
RVAZ2

120/230V electromotive floating (3 points) or ON/OFF actuator to drive Pettinaroli's PICV 92H 1 1/2".

Equipped with autostroke.

Connection M30x1,5 ring nut and adaptable to Pettinaroli's standards through specific adaptor.

DIMENSIONS



TECHNICAL FEATURES

<i>Type</i>	Floating or ON/OFF	<i>Temperature ambient range</i>	0 °C / 50 °C (non condensing)
<i>Supply voltage</i>	120/230V AC ± 15% 50/60 Hz	<i>Umidity ambient range</i>	0% / 95% RH (non condensing)
<i>Inrush current</i>	1,2 A	<i>IP class</i>	IP54
<i>Power consumption</i>	6 W / 5 VA	<i>Manual override</i>	By 4 mm Allen key
<i>Stroke</i>	1 – 8,5 mm	<i>Connection cable</i>	3 x 0,75 mm ² (halogen free)
<i>Running time</i>	5,5 s/mm	<i>Cable lenght</i>	1,5 m
<i>Actuating force</i>	200 N	<i>Adaptor</i>	0A748X (not included)
<i>Visual position indicator</i>	LED		

The RVAZ2 electromotive actuator is used to drive in floating mode (3 points) or in ON/OFF mode pressure independent control valves controlling heating and cooling system by means of BMS (Building Management System) or suitable thermostat able to manage 120/230V signals. For more details about the wiring see the specific chapter below.

In order to install the actuator on Pettinaroli's 92H 1 1/2" valves it is necessary to use a suitable adapter (**0A748X**) which is not included with the actuator and must be purchased separately.

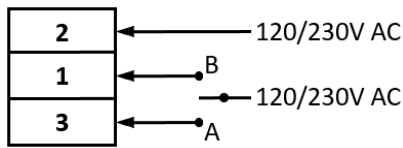


Adaptor **0A748X**

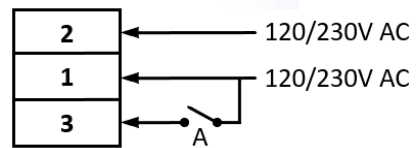
ELECTRICAL CONNECTIONS

Electrical connections are different according to the type of command desired:

Floating mode (3 points)



ON/OFF mode



1	2	3	A	B
Black	White	Red	Stem extension	Stem retraction

OPERATING STATUS INDICATIONS

The RVAZ2 electromotive actuator is equipped with a two color LED (red/green) which allows to evaluate the operating status of the actuator in accordance with the table below:

	LED off	No power supply
	Green LED fixed light	Actuator moving, under operation
	Green LED quick flash	Stroke adaption
	Green LED slow flash (Flash twice + Off 2 sec.)	Bottom dead center detected (0 % of the stroke)
	Green LED slow flash (Flash twice + On 1 sec. + Off 1 sec.)	Top dead center detected (100 % of the stroke)
	Red LED fixed light	Error on the internal limit switches / more than 2 errors
	Red LED quick flash	Error on one of the internal limit switches
	Red LED slow flash (Flash twice + Off 2 sec.)	Auto stroke adapt fault

INSTALLATION

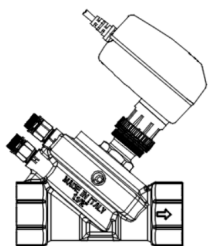


Fig. 1

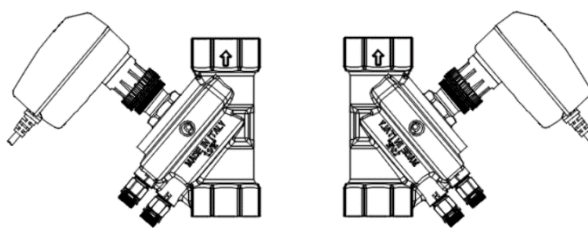


Fig. 2

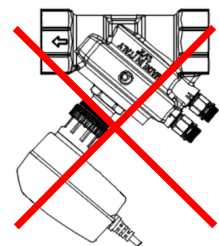


Fig. 3

- For electrical safety reasons the RVAZ2 electromotive actuator has to be installed as shown by pictures 1 and 2. The upside down installation shown in picture 3 must be avoided. Always install the actuator with the pin in fully retracted position;
- Do not power the actuator if not installed on the valve;
- Tighten the connecting ring by hand only. Do not use any tools;
- Keep a clear space of 15 cm over the actuator to access it, if required.

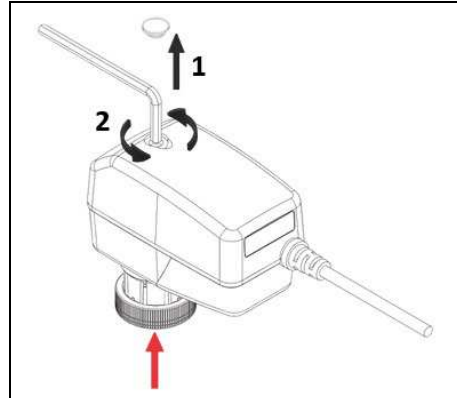
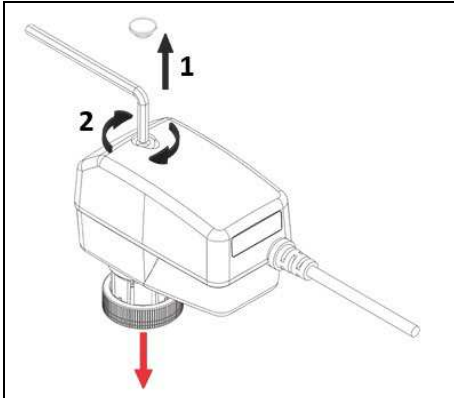
APPROVALS



MANUAL OVERRIDE

If necessary it is possible to manually operate the actuator by using a 4 mm Allen key supplied in pair with the actuator itself. To do this you need to follow the following steps:

1. Remove the manual override rubber seal placed on the front of the actuator;
2. Insert the Allen key to turn the existing lead screw. In particular, turn it **CLOCKWISE** to extend the stem (closing the valve) while turn it **COUNTERCLOCKWISE** to retract the stem (opening the valve).



! When the manual rubber override seal is open, IP54 rating no longer applies.