

## 13 COMPENSADOR DE DILATACIÓN BRIDAS FLANGED METAL EXPANSION COMPENSATOR



- Absorbe las dilataciones y amortigua las vibraciones en las tuberías  
*Absorbs expansion and vibration in the pipes*

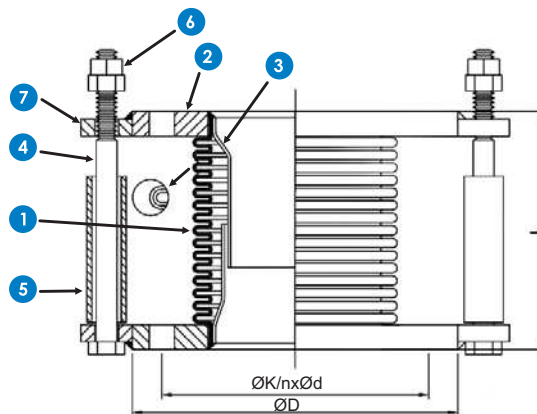
### CONDICIONES DE TRABAJO

#### OPERATING CONDITIONS

- Presión máx: **16 bar**  
*Max. pressure: 16 bar*
- Temperatura: **-50° a +300°C**  
*Temperature: -50°C to +300°C*

### CONSTRUCCIÓN / MATERIAL

- 1 Fuelle: **Acero inox. AISI-304 (doble capa)**  
*Bellows: Stainless steel AISI-304 (double layer)*
- 2 Bridas: **Acero al carbono**  
*Flanges Carbon steel*
- 3 Camisa interior: **Acero inox. AISI-304**  
*Interior sleeve: Stainless steel AISI-304*
- 4 Tirantes: **Acero zincado**  
*Braces Zinc plated steel*
- 5 Limitador de carrera: **Acero inox. AISI-304**  
*Stroke limitation actuator Stainless steel AISI-304*
- 6 Tuercas: **Acero zincado**  
*Threads Zinc plated steel*
- 7 Orejetas: **Acero al carbono**  
*Lugs Carbon steel*



### APLICACIONES / APPLICATIONS

- Refrigeración, calefacción, aire acondicionado, vapor, agua sobrecalentada, etc.  
*Cooling, heating, air conditioning, steam, overheated water, etc.*

### DIMENSIONES / DIMENSIONS

| Código<br>Code | DN  |              | L<br>mm | D<br>mm | K<br>mm | n  | d  | Movimiento axial (mm)<br>Axial movement |
|----------------|-----|--------------|---------|---------|---------|----|----|---|
|                | mm  | pulg<br>inch |         |         |         |    |    |   |
| AA 13 060      | 32  | 1-1/4"       | 150     | 140     | 100     | 4  | 18 | +10/-25                                 |
| AA 13 061      | 40  | 1-1/2"       | 150     | 150     | 110     | 4  | 18 | +10/-25                                 |
| AA 13 062      | 50  | 2"           | 150     | 165     | 125     | 4  | 18 | +10/-25                                 |
| AA 13 063      | 65  | 2-1/2"       | 150     | 185     | 145     | 4  | 18 | +10/-25                                 |
| AA 13 064      | 80  | 3"           | 150     | 200     | 160     | 8  | 18 | +10/-24                                 |
| AA 13 065      | 100 | 4"           | 150     | 220     | 180     | 8  | 18 | +10/-25                                 |
| AA 13 066      | 125 | 5"           | 150     | 250     | 210     | 8  | 18 | +10/-25                                 |
| AA 13 067      | 150 | 6"           | 150     | 285     | 240     | 8  | 22 | +10/-25                                 |
| AA 13 068      | 200 | 8"           | 200     | 340     | 295     | 12 | 22 | +15/-35                                 |
| AA 13 069      | 250 | 10"          | 200     | 405     | 355     | 12 | 26 | +15/-33                                 |
| AA 13 070      | 300 | 12"          | 200     | 460     | 410     | 12 | 26 | +15/-35                                 |