



# 1. Product Introduction

## 1-4. Specification

Model Name		Indoor unit		-	AM015KNQDEH/EU	AM022KNQDEH/EU	AM028KNQDEH/EU	AM036KNQDEH/EU	
Mode					HP				
Power					1Φ, 220-240V~,50Hz				
Size	Net Dimensions		L x H x D	mm	820*285*227	820*285*227	820*285*227	820*285*227	
	Shipping Dimensions		L x H x D	mm	880*280*363	880*280*363	880*280*363	880*280*363	
Weight	Net Weight			kg	8.5	8.5	9.0	9.0	
	Shipping Weight			kg	10.5	10.5	11.0	11.0	
Capacity		Cooling		KW	1.5	2.2	2.8	3.6	
		Heating		KW	1.7	2.5	3.2	4.0	
Power consumption		Cooling		W	32	32	38	42	
		Heating		W	34	35	39	42	
Operation current		Cooling		A	0.20	0.20	0.22	0.23	
		Heating		A	0.20	0.20	0.22	0.23	
Sound (Sound Pressure)		Indoor	Cooling		dB	35	36	35	41
			Heating		dB	38	39	36	41
Connecting Pipe		Liquid		Ø, mm	6.35	6.35	6.35	6.35	
		Gas		Ø, mm	12.7	12.7	12.7	12.7	
Refrigerant		Type		-	R410a	R410a	R410a	R410a	
		Control Method		-	EEV	EEV	EEV	EEV	
Temperature Control				-	Micom&Thermistors	Micom&Thermistors	Micom&Thermistors	Micom&Thermistors	
Option Code				Product Install	010044-1190EA -200F0F-310000	010044-1190FA -201616-310000	010044-1160C8 -201C1C-310000	010044-11540B -202424-310000	



# 1. Product Introduction

## 1-4. Specification

Model Name		Indoor unit		-	AM045KNQDEH/EU	AM056KNQDEH/EU	AM071KNQDEH/EU	
Mode					HP			
Power					1Φ, 220-240V~,50Hz			
Size	Net Dimensions		L x H x D	mm	1065*298*243	1065*298*243	1065*298*243	
	Shipping Dimensions		L x H x D	mm	1128*299*378	1128*299*378	1128*299*378	
Weight	Net Weight			kg	12.5	12.5	12.5	
	Shipping Weight			kg	14.5	14.5	14.5	
Capacity		Cooling		KW	4.5	5.6	6.8	
		Heating		KW	5.0	6.3	7.0	
Power consumption		Cooling		W	47	48	51	
		Heating		W	47	48	53	
Operation current		Cooling		A	0.27	0.27	0.28	
		Heating		A	0.27	0.27	0.28	
Sound (Sound Pressure)		Indoor	Cooling		dB	43	44	45
			Heating		dB	43	44	46
Connecting Pipe		Liquid		Ø, mm	6.35	6.35	9.52	
		Gas		Ø, mm	12.7	12.7	15.88	
Refrigerant		Type		-	R410a	R410a	R410a	
		Control Method		-	EEV	EEV	EEV	
Temperature Control				-	Micom&Thermistors	Micom&Thermistors	Micom&Thermistors	
Option Code				Product Install	010044-11541C -202D2D-310020	010044-11542C -203838-310020	010044-11644F -204747-310020	



# 1. Product Introduction

## 1-4. Specification

Model Name		Indoor unit		-	AM015KNTDEH/EU	AM022KNTDEH/EU	AM028KNTDEH/EU	AM036KNTDEH/EU	
Mode					HP				
Power					1Φ, 220-240V~,50Hz				
Size	Net Dimensions		L x H x D	mm	820*285*227	820*285*227	820*285*227	820*285*227	
	Shipping Dimensions		L x H x D	mm	880*280*363	880*280*363	880*280*363	880*280*363	
Weight	Net Weight			kg	8.0	8.0	8.5	8.5	
	Shipping Weight			kg	10.0	10.0	10.5	10.5	
Capacity		Cooling		KW	1.5	2.2	2.8	3.6	
		Heating		KW	1.7	2.5	3.2	4.0	
Power consumption		Cooling		W	32	32	38	42	
		Heating		W	34	35	39	42	
Operation current		Cooling		A	0.20	0.20	0.22	0.23	
		Heating		A	0.20	0.20	0.22	0.23	
Sound (Sound Pressure)		Indoor	Cooling		dB	35	36	35	41
			Heating		dB	38	39	36	41
Connecting Pipe		Liquid		Ø, mm	6.35	6.35	6.35	6.35	
		Gas		Ø, mm	12.7	12.7	12.7	12.7	
Refrigerant		Type		-	R410a	R410a	R410a	R410a	
		Control Method		-	EEV OPTION	EEV OPTION	EEV OPTION	EEV OPTION	
Temperature Control				-	Micom&Thermistors	Micom&Thermistors	Micom&Thermistors	Micom&Thermistors	
Option Code				Product Install	010044-1190EA -200F0F-330000	010044-1190FA -201616-330000	010044-1160C8 -201C1C-330000	010044-11540B -202424-330000	



# 1. Product Introduction

## 1-4. Specification

Model Name		Indoor unit		-	AM045KNTDEH/EU	AM056KNTDEH/EU	AM071KNTDEH/EU	
Mode					HP			
Power					1Φ, 220-240V~,50Hz			
Size	Net Dimensions		L x H x D	mm	1065*298*243	1065*298*243	1065*298*243	
	Shipping Dimensions		L x H x D	mm	1128*299*378	1128*299*378	1128*299*378	
Weight	Net Weight			kg	12.0	12.0	12.0	
	Shipping Weight			kg	14.0	14.0	14.0	
Capacity		Cooling		KW	4.5	5.6	6.8	
		Heating		KW	5.0	6.3	7.0	
Power consumption		Cooling		W	47	48	51	
		Heating		W	47	48	53	
Operation current		Cooling		A	0.27	0.27	0.28	
		Heating		A	0.27	0.27	0.28	
Sound (Sound Pressure)		Indoor	Cooling		dB	43	44	45
			Heating		dB	43	44	46
Connecting Pipe		Liquid		Ø, mm	6.35	6.35	9.52	
		Gas		Ø, mm	12.7	12.7	15.88	
Refrigerant		Type		-	R410a	R410a	R410a	
		Control Method		-	EEV OPTION	EEV OPTION	EEV OPTION	
Temperature Control				-	Micom&Thermistors	Micom&Thermistors	Micom&Thermistors	
Option Code				Product Install	010044-11541C -202D2D-330020	010044-11542C -203838-330020	010044-11644F -204747-330020	



# 1. Product Introduction

## 1-5. Comparative Specification



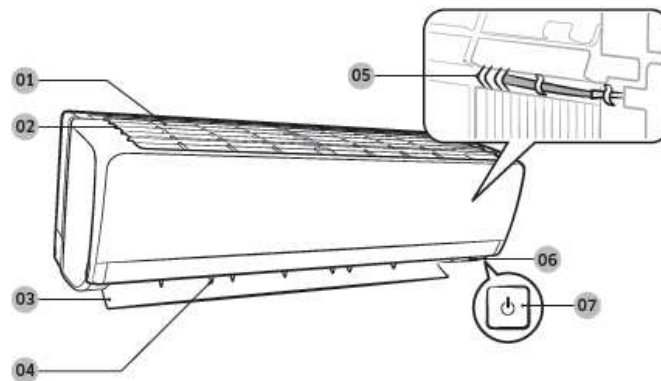
**BORACAY1**



**BORACAY3**

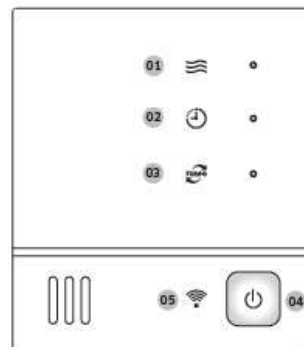
### Indoor Unit Overview

The actual product may differ slightly from the image depicted below.



- 01 Air intake
- 02 Air filter (under the panel)
- 03 Air flow blade (up and down)
- 04 Air flow blade (left and right)
- 05 Room temperature sensor
- 06 Display
- 07 Power button / Remote control receiver

#### Display



- 01 Operation indicator
- 02 Timer indicator
- 03 Turbo indicator
- 04 Power button
- 05 Remote controller receiver