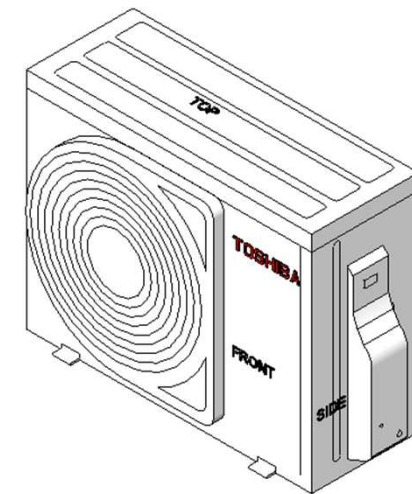
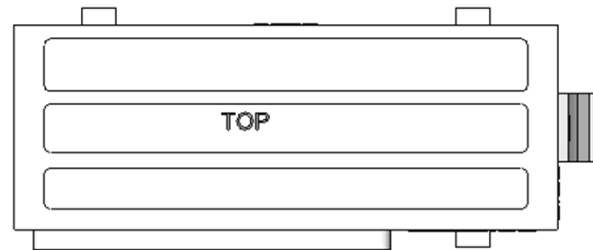
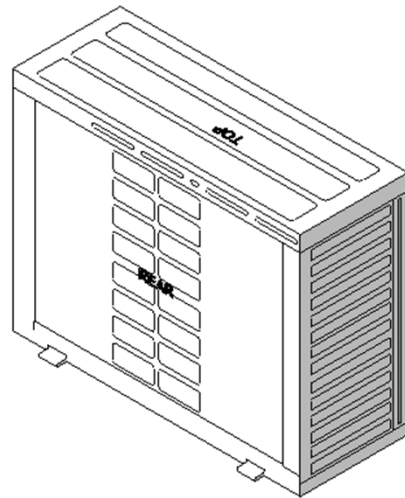
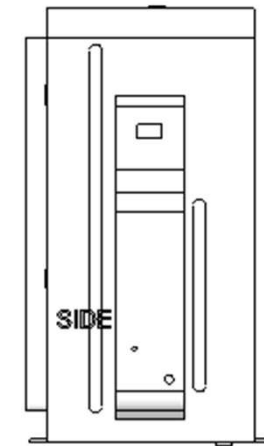
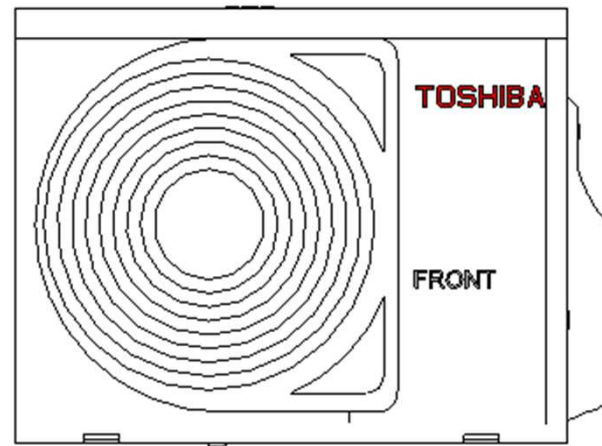
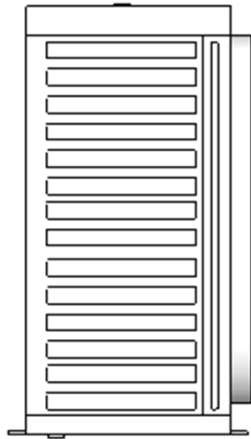


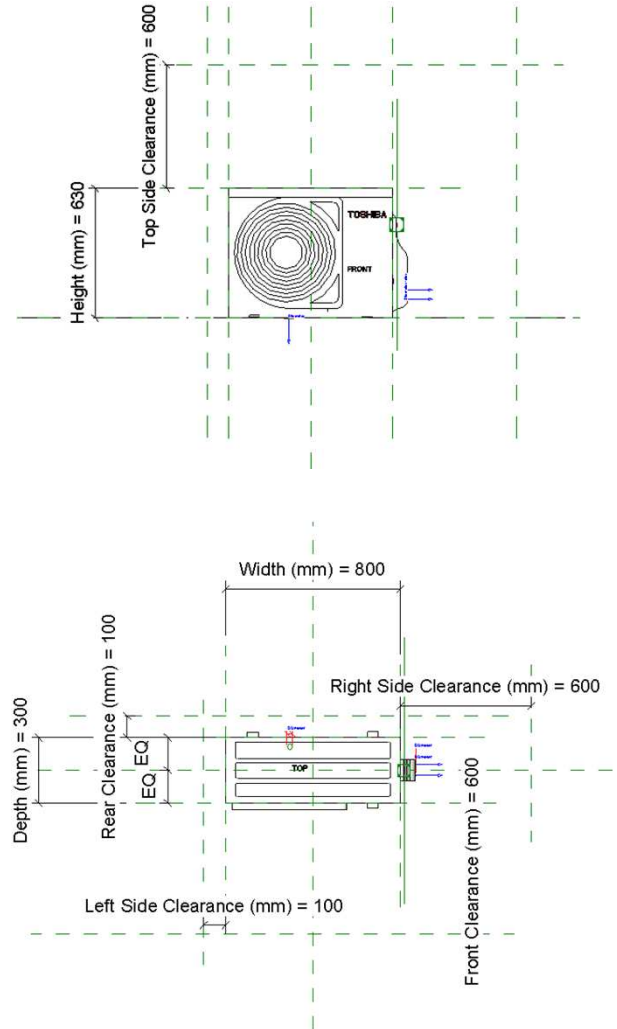
1. RAS_PAVPG_10-16

23-05-2019

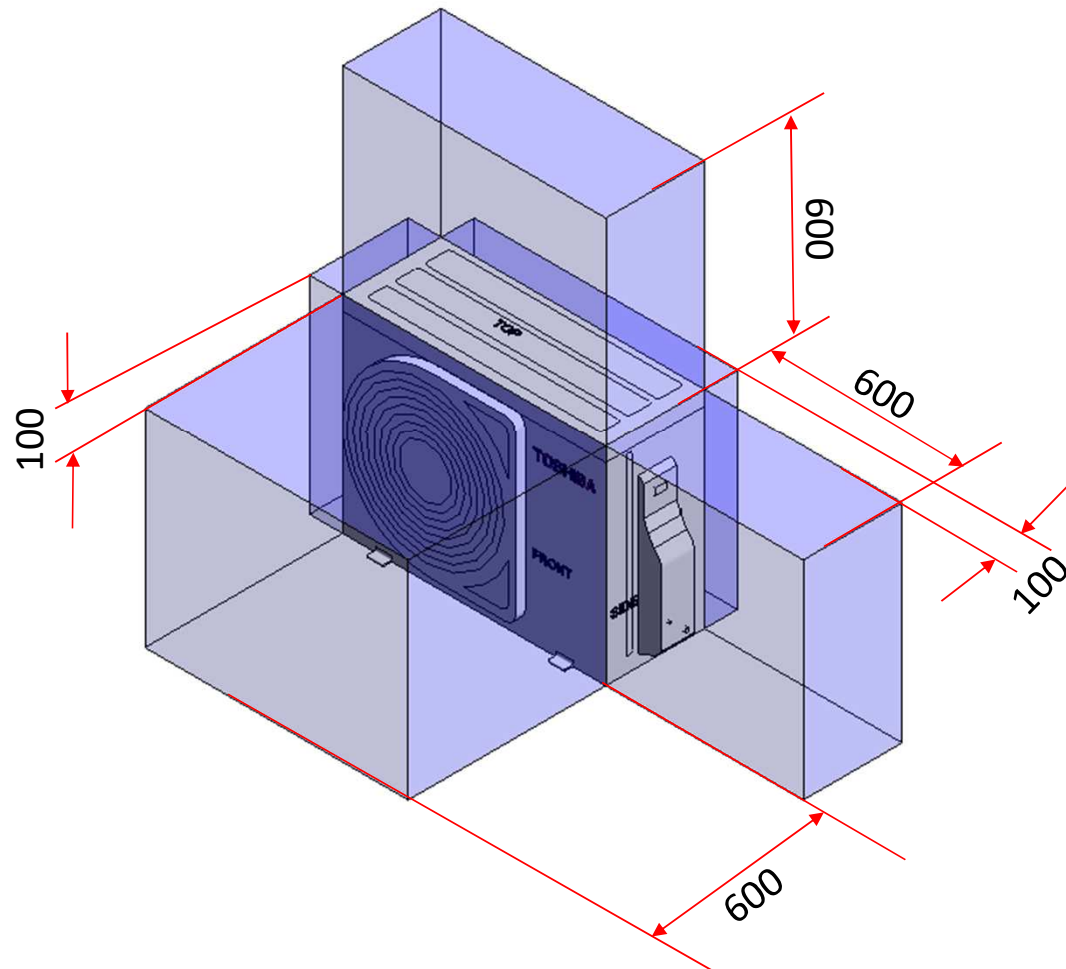
RAS_PAVPG_10-16



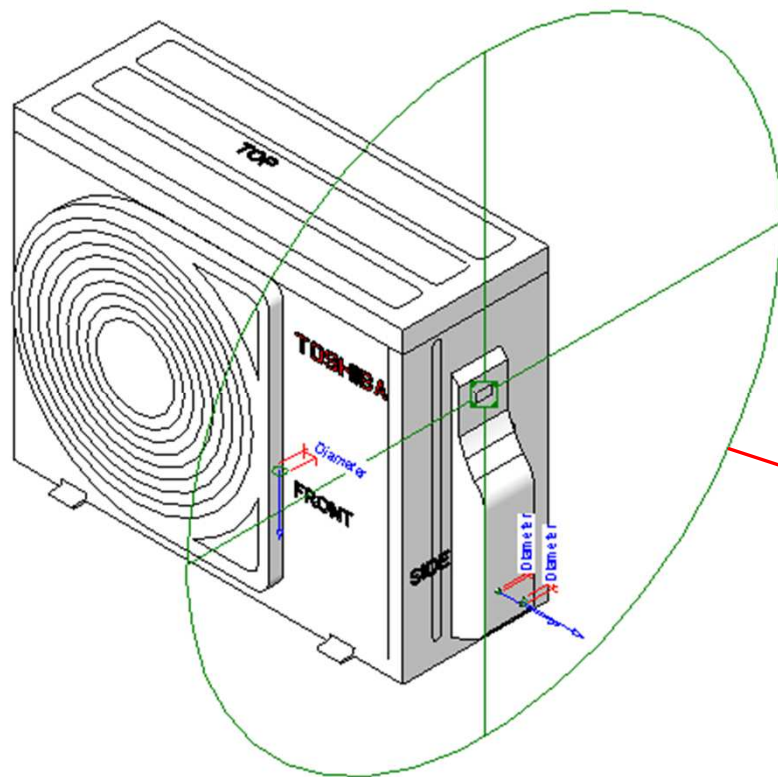
RAS_PAVPG_10-16



RAS_PAVPG_10-16 Service Area

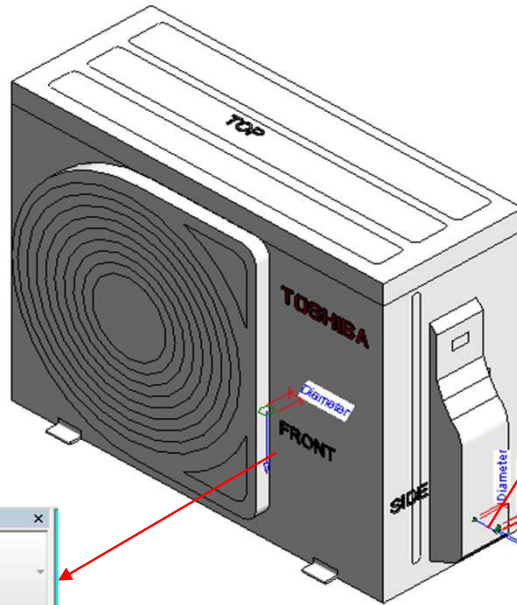


Electrical Connector



| Connector Element (1) Edit Type | |
|----------------------------------------------|--------------------------|
| Electrical - Loads | |
| System Type | Power - Unbalanced |
| Number of Poles | 1 |
| Power Factor State | Lagging |
| Load Classification | Other |
| Load Sub-Classification Motor | <input type="checkbox"/> |
| Voltage | 0.00 V |
| Apparent Load Phase 1 | 0.00 VA |
| Apparent Load Phase 2 | 0.00 VA |
| Apparent Load Phase 3 | 0.00 VA |
| Power Factor | 1.000000 |
| Identity Data | |
| Utility | <input type="checkbox"/> |
| Connector Description | ELECTRICAL CONNECTOR |

Pipe Connectors



| Properties | |
|---------------------------------|--------------------------|
| Connector Element (1) Edit Type | |
| Dimensions | |
| Diameter | 25.0 |
| Mechanical | |
| K Coefficient | 0.000000 |
| Flow Factor | 0.000000 |
| Flow Configuration | Calculated |
| Flow Direction | Bidirectional |
| Loss Method | Not Defined |
| Allow Slope Adjustments | <input type="checkbox"/> |
| System Classification | Vent |
| Mechanical - Flow | |
| Flow | 0.00 L/s |
| Pressure Drop | 0.00 Pa |
| Identity Data | |
| Utility | <input type="checkbox"/> |
| Connector Description | DRAIN PORT |

| Properties | |
|---------------------------------|----------------------------------------|
| Connector Element (1) Edit Type | |
| Dimensions | |
| Diameter | 6.4 |
| Mechanical | |
| K Coefficient | 0.000000 |
| Flow Factor | 0.000000 |
| Flow Configuration | Calculated |
| Flow Direction | Bidirectional |
| Loss Method | Not Defined |
| Allow Slope Adjustments | <input type="checkbox"/> |
| System Classification | Hydronic Supply |
| Mechanical - Flow | |
| Flow | 0.00 L/s |
| Pressure Drop | 0.00 Pa |
| Identity Data | |
| Utility | <input type="checkbox"/> |
| Connector Description | HYDRONIC SUPPLY (LIQUID) PORT @ 6.4 mm |

| Properties | |
|---------------------------------|--------------------------------------|
| Connector Element (1) Edit Type | |
| Dimensions | |
| Diameter | 12.7 |
| Mechanical | |
| K Coefficient | 0.000000 |
| Flow Factor | 0.000000 |
| Flow Configuration | Calculated |
| Flow Direction | Bidirectional |
| Loss Method | Not Defined |
| Allow Slope Adjustments | <input type="checkbox"/> |
| System Classification | Hydronic Return |
| Mechanical - Flow | |
| Flow | 0.00 L/s |
| Pressure Drop | 0.00 Pa |
| Identity Data | |
| Utility | <input type="checkbox"/> |
| Connector Description | HYDRONIC RETURN (GAS) PORT @ 12.7 mm |

| Properties | |
|---------------------------------|--------------------------------------|
| Connector Element (1) Edit Type | |
| Dimensions | |
| Diameter | 12.9 |
| Mechanical | |
| K Coefficient | 0.000000 |
| Flow Factor | 0.000000 |
| Flow Configuration | Calculated |
| Flow Direction | Bidirectional |
| Loss Method | Not Defined |
| Allow Slope Adjustments | <input type="checkbox"/> |
| System Classification | Hydronic Return |
| Mechanical - Flow | |
| Flow | 0.00 L/s |
| Pressure Drop | 0.00 Pa |
| Identity Data | |
| Utility | <input type="checkbox"/> |
| Connector Description | HYDRONIC RETURN (GAS) PORT @ 12.9 mm |

| Properties | |
|---------------------------------|-------------------------------------|
| Connector Element (1) Edit Type | |
| Dimensions | |
| Diameter | 9.5 |
| Mechanical | |
| K Coefficient | 0.000000 |
| Flow Factor | 0.000000 |
| Flow Configuration | Calculated |
| Flow Direction | Bidirectional |
| Loss Method | Not Defined |
| Allow Slope Adjustments | <input type="checkbox"/> |
| System Classification | Hydronic Return |
| Mechanical - Flow | |
| Flow | 0.00 L/s |
| Pressure Drop | 0.00 Pa |
| Identity Data | |
| Utility | <input type="checkbox"/> |
| Connector Description | HYDRONIC RETURN (GAS) PORT @ 9.5 mm |

RAS-10PAVPG-E

| Family Types | | |
|----------------------------------------------|-------------------------------|---------|
| Type name: | RAS-10PAVPG-E | |
| Search parameters | | |
| Parameter | Value | Formula |
| Electrical | | |
| MOCp (A) | 15 | = |
| MCA (A) | - | = |
| Running current-Cooling (A) | 2.31 - 2.13 | = |
| Power consumption-Cooling (Kw) | 425 | = |
| Running current-Heating (A) | 3.12 - 2.86 | = |
| Power consumption-Heating (Kw) | 570 | = |
| Frequency (Hz) | 50Hz | = |
| Voltage (V) | 220-240V | = |
| Starting current | | = |
| Dimensions | | |
| Height (mm) | 630.0 | = |
| Width (mm) | 800.0 | = |
| Depth (mm) | 300.0 | = |
| Hydronic Supply Diameter (mm) | 6.4 | = |
| Hydronic Return Diameter (mm) | 9.5 | = |
| Weight (Kg) | 38 | = |
| Drain pipe | - | = |
| Duct diameters | - | = |
| Mechanical - Flow | | |
| Static pressure | - | = |
| Sound pressure dB(A) Cooling/Heating- High | 46 / 47 | = |
| Sound pressure dB(A) Cooling/Heating- Mid+ | - | = |
| Sound pressure dB(A) Cooling/Heating- Mid- | - | = |
| Sound pressure dB(A) Cooling/Heating- Low+ | - | = |
| Sound pressure dB(A) Cooling/Heating- Low- | - | = |
| Airflow m3/h- Cooling/Heating | - | = |
| Air filter | Plasma ion charger filtration | = |
| Mechanical - Loads | | |
| Rated Capacity kW - Cooling/Heating | 2.5 / 3.2 | = |
| Rated Power Consumption kW - Cooling/Heating | 0.45 / 0.60 | = |
| Rated efficiency - EER / COP | 5.56 / 5.33 | = |
| Energy Analysis | | |
| Energy class | A+++ / A+++ | = |
| Seasonal efficiency - SEER / SCOP | 10.6 / 5.20 | = |
| Pdesigh | 2.5 / 3.0 (Tbiv= -7degC) | = |
| Visibility | | |
| Service Area (default) | <input type="checkbox"/> | = |
| Front Clearance (mm) (default) | 600.0 | = |
| Rear Clearance (mm) (default) | 100.0 | = |
| Right Side Clearance (mm) (default) | 600.0 | = |
| Left Side Clearance (mm) (default) | 100.0 | = |
| Top Side Clearance (mm) (default) | 600.0 | = |

| Other | | |
|---------------------------------------|-------------------------------------------|--------------------|
| Compressor Type | Hermetic DC rotary compressor | = |
| Compressor detail - Motor output (kW) | - | = |
| Operating range - Cooling (°C) | -15 - 46 | = |
| Operating range - Heating (°C) | -15 - 24 | = |
| Refrigerant information | R32 | = |
| Identity Data | | |
| Article Description | R32 DSK 9 | = |
| Article Type | RAS-10PAVPG-E | = |
| Assembly Code | | = |
| Base Family Version | | = |
| CB-NL Class | | = |
| Content Supplier URL | www.hdtech.com | = |
| Copyright | ©Toshiba / HCL | = "©Toshiba / HCL" |
| Cost | | = |
| Custom | <input type="checkbox"/> | = |
| Description | R32 DSK 9 | = |
| EMCS | 4 | = "4" |
| ETIM Article Class | EC001213 | = "EC001213" |
| Family Version | | = |
| GLN | | = |
| GTIN | | = |
| Internal Art. No. | | = |
| Keynote | | = |
| MEPcontent Class | HEATPUMP | = "HEATPUMP" |
| Manufacturer | Toshiba | = "Toshiba" |
| Manufacturer Art. No. | RAS-10PAVPG-E | = |
| Manufacturer URL | https://www.toshiba-carrier.co.jp/global/ | = |
| Model | RAS-10PAVPG-E | = |
| Product Line | TCTC | = "TCTC" |
| Revit Version | 2017 | = "2017" |
| Stabu Code | | = |
| Type Comments | | = |
| Type Image | | = |
| URL | https://www.toshiba-carrier.co.jp/global/ | = |
| Watermarked By | | = |
| Wholesaler | | = |
| Wholesaler Art. No. | | = |

RAS-13PAVPG-E

Family Types

Type name: RAS-13PAVPG-E

Search parameters

| Parameter | Value | Formula |
|----------------------------------------------|--------------------------|---------|
| Materials and Finishes | | |
| Red | Colour RGB-250 000 000 | = |
| White | Colour RGB-255 255 255 | = |
| Electrical | | |
| MOCP (A) | 15 | = |
| MCA (A) | - | = |
| Running current-Cooling (A) | 3.43 - 3.15 | = |
| Power consumption-Cooling (Kw) | 725 | = |
| Running current-Heating (A) | 3.73 - 3.39 | = |
| Power consumption-Heating (Kw) | 770 | = |
| Frequency (Hz) | 50Hz | = |
| Voltage (V) | 220-240V | = |
| Starting current | - | = |
| Dimensions | | |
| Height (mm) | 630.0 | = |
| Width (mm) | 800.0 | = |
| Depth (mm) | 300.0 | = |
| Hydronic Supply Diameter (mm) | 6.4 | = |
| Hydronic Return Diameter (mm) | 9.5 | = |
| Weight (Kg) | 38 | = |
| Drain pipe | - | = |
| Duct diameters | - | = |
| Mechanical - Flow | | |
| Static pressure | - | = |
| Sound pressure dB(A) Cooling/Heating- High | 48 / 50 | = |
| Sound pressure dB(A) Cooling/Heating- Mid+ | - | = |
| Sound pressure dB(A) Cooling/Heating- Mid | - | = |
| Sound pressure dB(A) Cooling/Heating- Low+ | - | = |
| Sound pressure dB(A) Cooling/Heating- Low | - | = |
| Airflow m3/h- Cooling/Heating | - | = |
| Air filter | - | = |
| Mechanical - Loads | | |
| Rated Capacity kW - Cooling/Heating | 3.5 / 4.0 | = |
| Rated Power Consumption kW - Cooling/Heating | 0.75 / 0.80 | = |
| Rated efficiency - EER / COP | 4.67 / 5.00 | = |
| Energy Analysis | | |
| Energy class | A+++ / A+++ | = |
| Seasonal efficiency - SEER / SCOP | 9.50 / 5.10 | = |
| Pdesign | 3.5 / 3.6 (Tbiv= -7degC) | = |

| | | |
|---------------------------------------|-------------------------------------------|--------------------|
| Visibility | | |
| Service Area (default) | <input type="checkbox"/> | = |
| Front Clearance (mm) (default) | 600.0 | = |
| Rear Clearance (mm) (default) | 100.0 | = |
| Right Side Clearance (mm) (default) | 600.0 | = |
| Left Side Clearance (mm) (default) | 100.0 | = |
| Top Side Clearance (mm) (default) | 600.0 | = |
| Other | | |
| Compressor Type | Hermetic DC rotary compressor | = |
| Compressor detail - Motor output (kW) | - | = |
| Operating range - Cooling (°C) | -15 - 46 | = |
| Operating range - Heating (°C) | -15 - 24 | = |
| Refrigerant information | R32 | = |
| Identity Data | | |
| Article Description | R32 DSK 9 | = |
| Article Type | RAS-13PAVPG-E | = |
| Assembly Code | | = |
| Base Family Version | | = |
| CB-NL Class | | = |
| Content Supplier URL | www.hcltech.com | = |
| Copyright | ©Toshiba / HCL | = "©Toshiba / HCL" |
| Cost | | = |
| Custom | <input type="checkbox"/> | = |
| Description | R32 DSK 9 | = |
| EMCS | 4 | = "4" |
| ETIM Article Class | EC001213 | = "EC001213" |
| Family Version | | = |
| GLN | | = |
| GTIN | | = |
| Internal Art. No. | | = |
| Keynote | | = |
| MEPcontent Class | HEATPUMP | = "HEATPUMP" |
| Manufacturer | Toshiba | = "Toshiba" |
| Manufacturer Art. No. | RAS-13PAVPG-E | = |
| Manufacturer URL | https://www.toshiba-carrier.co.jp/global/ | = |
| Model | RAS-13PAVPG-E | = |
| Product Line | TCTC | = "TCTC" |
| Revit Version | 2017 | = "2017" |
| Stabu Code | | = |
| Type Comments | | = |
| Type Image | | = |
| URL | https://www.toshiba-carrier.co.jp/global/ | = |
| Watermarked By | | = |
| Wholesaler | | = |
| Wholesaler Art. No. | | = |

RAS-16PAVPG-E

| Family Types | | |
|----------------------------------------------|--------------------------|---------|
| Type name: | RAS-16PAVPG-E | |
| Search parameters | | |
| Parameter | Value | Formula |
| Materials and Finishes | | |
| Red | Colour RGB-250 000 000 | = |
| White | Colour RGB-255 255 255 | = |
| Electrical | | |
| MOCP (A) | 15 | = |
| MCA (A) | - | = |
| Running current-Cooling (A) | 5.05 - 4.64 | = |
| Power consumption-Cooling (Kw) | 1055 | = |
| Running current-Heating (A) | 6.16 - 5.63 | = |
| Power consumption-Heating (Kw) | 1340 | = |
| Frequency (Hz) | 50Hz | = |
| Voltage (V) | 220-240V | = |
| Starting current | 6.44 - 5.89 | = |
| Dimensions | | |
| Height (mm) | 630.0 | = |
| Width (mm) | 800.0 | = |
| Depth (mm) | 300.0 | = |
| Hydronic Supply Diameter (mm) | 6.4 | = |
| Hydronic Return Diameter (mm) | 12.7 | = |
| Weight (Kg) | 38 | = |
| Drain pipe | - | = |
| Duct diameters | - | = |
| Mechanical - Flow | | |
| Static pressure | - | = |
| Sound pressure dB(A) Cooling/Heating- High | 49 / 50 | = |
| Sound pressure dB(A) Cooling/Heating- Mid+ | - | = |
| Sound pressure dB(A) Cooling/Heating- Mid | - | = |
| Sound pressure dB(A) Cooling/Heating- Low+ | - | = |
| Sound pressure dB(A) Cooling/Heating- Low | - | = |
| Airflow m3/h- Cooling/Heating | - | = |
| Air filter | - | = |
| Mechanical - Loads | | |
| Rated Capacity kW - Cooling/Heating | 4.5 / 5.5 | = |
| Rated Power Consumption kW - Cooling/Heating | 1.08 / 1.37 | = |
| Rated efficiency - EER / COP | 4.17 / 4.01 | = |
| Energy Analysis | | |
| Energy class | A+++ / A+++ | = |
| Seasonal efficiency - SEER / SCOP | 8.50 / 4.60 | = |
| Pdesigh | 4.5 / 4.5 (Tbiv= -7degC) | = |

| | | |
|---------------------------------------|-------------------------------------------|------------------|
| Visibility | | |
| Service Area (default) | <input type="checkbox"/> | = |
| Front Clearance (mm) (default) | 600.0 | = |
| Rear Clearance (mm) (default) | 100.0 | = |
| Right Side Clearance (mm) (default) | 600.0 | = |
| Left Side Clearance (mm) (default) | 100.0 | = |
| Top Side Clearance (mm) (default) | 600.0 | = |
| Other | | |
| Compressor Type | Hermetic DC rotary compressor | = |
| Compressor detail - Motor output (kW) | - | = |
| Operating range - Cooling (°C) | -15 - 46 | = |
| Operating range - Heating (°C) | -15 - 24 | = |
| Refrigerant information | R32 | = |
| Identity Data | | |
| Article Description | R32 DSK 9 | = |
| Article Type | RAS-16PAVPG-E | = |
| Assembly Code | | = |
| Base Family Version | | = |
| CB-NL Class | | = |
| Content Supplier URL | www.hcltech.com | = |
| Copyright | ©Toshiba / HCL | = ©Toshiba / HCL |
| Cost | | = |
| Custom | <input type="checkbox"/> | = |
| Description | R32 DSK 9 | = |
| EMCS | 4 | = "4" |
| ETIM Article Class | EC001213 | = "EC001213" |
| Family Version | | = |
| GLN | | = |
| GTIN | | = |
| Internal Art. No. | | = |
| Keynote | | = |
| MEPcontent Class | HEATPUMP | = "HEATPUMP" |
| Manufacturer | Toshiba | = "Toshiba" |
| Manufacturer Art. No. | RAS-16PAVPG-E | = |
| Manufacturer URL | https://www.toshiba-carrier.co.jp/global/ | = |
| Model | RAS-16PAVPG-E | = |
| Product Line | TCTC | = "TCTC" |
| Revit Version | 2017 | = "2017" |
| Stabu Code | | = |
| Type Comments | | = |
| Type Image | | = |
| URL | https://www.toshiba-carrier.co.jp/global/ | = |
| Watermarked By | | = |
| Wholesaler | | = |
| Wholesaler Art. No. | | = |

RAS-24PAVSG-E

Family Types

Type name: RAS-24PAVSG-E

Search parameters

| Parameter | Value | Formula |
|----------------------------------------------|--------------------------|---------|
| Materials and Finishes | | |
| Red | Colour RGB-250 000 000 | = |
| White | Colour RGB-255 255 255 | = |
| Electrical | | |
| MOCp (A) | 15 | = |
| MCA (A) | - | = |
| Running current-Cooling (A) | 0.38 - 0.35 | = |
| Power consumption-Cooling (Kw) | 43 | = |
| Running current-Heating (A) | 10.02 - 9.95 | = |
| Power consumption-Heating (Kw) | 2367 | = |
| Frequency (Hz) | 50Hz | = |
| Voltage (V) | 220-240V | = |
| Starting current | 10.8 | = |
| Dimensions | | |
| Height (mm) | 630.0 | = |
| Width (mm) | 800.0 | = |
| Depth (mm) | 300.0 | = |
| Hydronic Supply Diameter (mm) | 6.4 | = |
| Hydronic Return Diameter (mm) | 12.9 | = |
| Weight (Kg) | 41 | = |
| Drain pipe | - | = |
| Duct diameters | - | = |
| Mechanical - Flow | | |
| Static pressure | - | = |
| Sound pressure dB(A) Cooling/Heating- High | 53 / 53 | = |
| Sound pressure dB(A) Cooling/Heating- Mid+ | - | = |
| Sound pressure dB(A) Cooling/Heating- Mid | - | = |
| Sound pressure dB(A) Cooling/Heating- Low+ | - | = |
| Sound pressure dB(A) Cooling/Heating- Low | - | = |
| Airflow m3/h- Cooling/Heating | 2916 / 2916 | = |
| Air filter | - | = |
| Mechanical - Loads | | |
| Rated Capacity kW - Cooling/Heating | 7.0 / 8.0 | = |
| Rated Power Consumption kW - Cooling/Heating | 2.25 / 2.41 | = |
| Rated efficiency - EER / COP | 3.11 / 3.32 | = |
| Energy Analysis | | |
| Energy class | A++ / A+ | = |
| Seasonal efficiency - SEER / SCOP | 6.2 / 4.0 | = |
| Pdesign | 7.0 / 6.3 (Tbiv= -7degC) | = |

| | | |
|---------------------------------------|-------------------------------------------|--------------------|
| Visibility | | |
| Service Area (default) | <input type="checkbox"/> | = |
| Front Clearance (mm) (default) | 600.0 | = |
| Rear Clearance (mm) (default) | 100.0 | = |
| Right Side Clearance (mm) (default) | 600.0 | = |
| Left Side Clearance (mm) (default) | 100.0 | = |
| Top Side Clearance (mm) (default) | 600.0 | = |
| Other | | |
| Compressor Type | Hermetic DC rotary compressor | = |
| Compressor detail - Motor output (kW) | - | = |
| Operating range - Cooling (°C) | -15 - 46 | = |
| Operating range - Heating (°C) | -15 - 24 | = |
| Refrigerant information | R32 | = |
| Identity Data | | |
| Article Description | R32 SHORAI | = |
| Article Type | RAS-24PAVSG-E | = |
| Assembly Code | | = |
| Base Family Version | | = |
| CB-NL Class | | = |
| Content Supplier URL | www.hcltech.com | = |
| Copyright | ©Toshiba / HCL | = "©Toshiba / HCL" |
| Cost | | = |
| Custom | <input type="checkbox"/> | = |
| Description | R32 SHORAI | = |
| EMCS | 4 | = "4" |
| ETIM Article Class | EC001213 | = "EC001213" |
| Family Version | | = |
| GLN | | = |
| GTIN | | = |
| Internal Art. No. | | = |
| Keynote | | = |
| MEPcontent Class | HEATPUMP | = "HEATPUMP" |
| Manufacturer | Toshiba | = "Toshiba" |
| Manufacturer Art. No. | RAS-24PAVSG-E | = |
| Manufacturer URL | https://www.toshiba-carrier.co.jp/global/ | = |
| Model | RAS-24PAVSG-E | = |
| Product Line | TCTC | = "TCTC" |
| Revit Version | 2017 | = "2017" |
| Stabu Code | | = |
| Type Comments | | = |
| Type Image | | = |
| URL | https://www.toshiba-carrier.co.jp/global/ | = |
| Watermarked By | | = |
| Wholesaler | | = |
| Wholesaler Art. No. | | = |



Thank You