

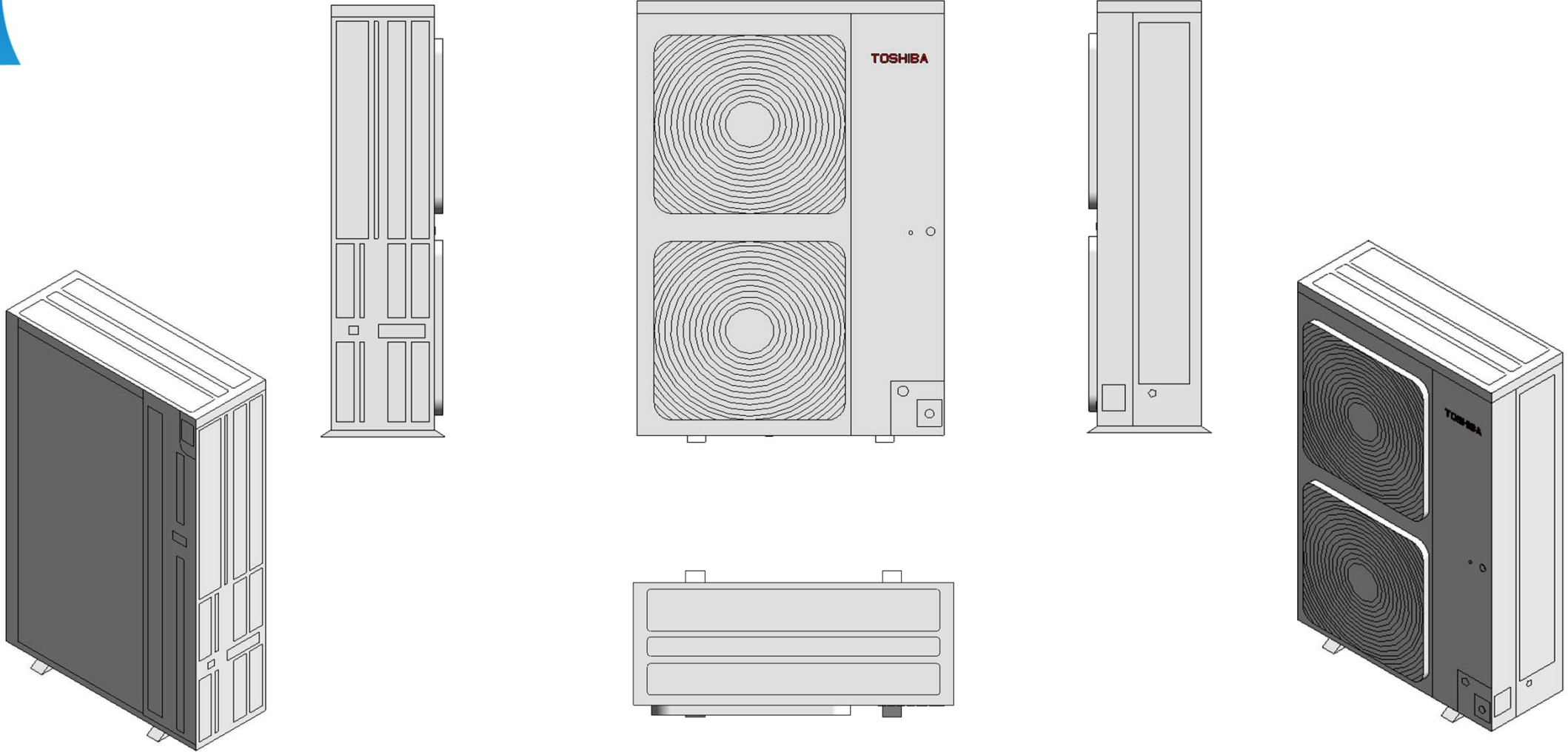
An abstract graphic on the left side of the slide, composed of numerous overlapping, semi-transparent blue rectangular and polygonal shapes. These shapes are arranged in a way that creates a sense of depth and perspective, appearing to recede towards a bright white light source at the center of the composition. The colors range from light sky blue to deep navy blue.

**HCL**

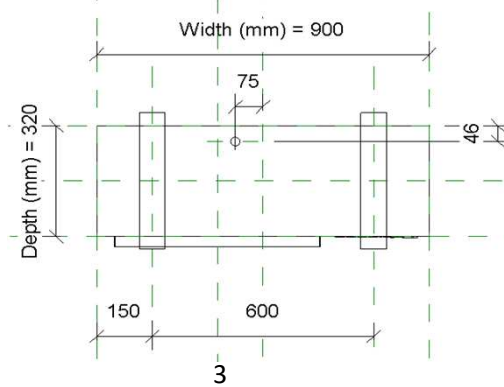
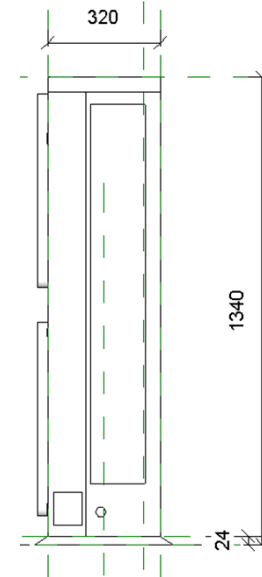
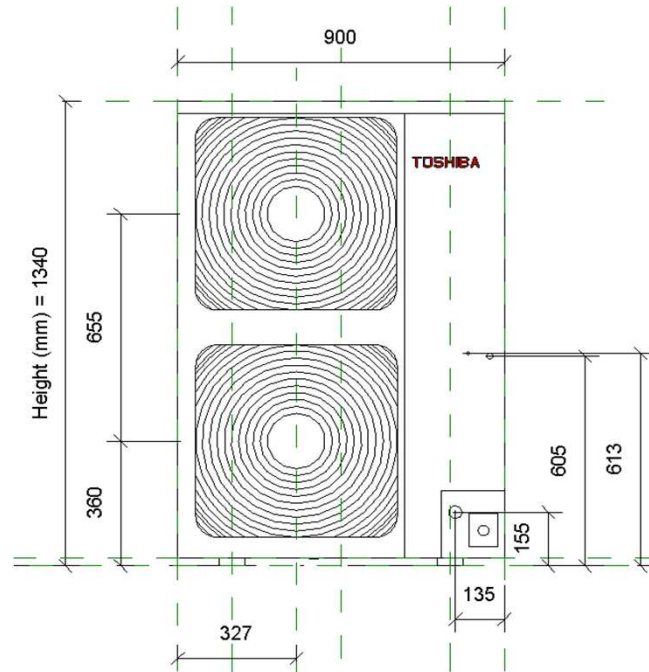
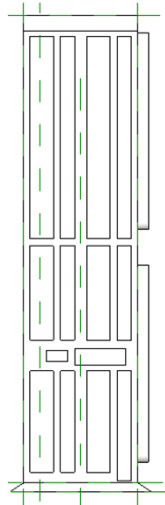
RAV\_GP1AT8\_110-160

20-02-2020

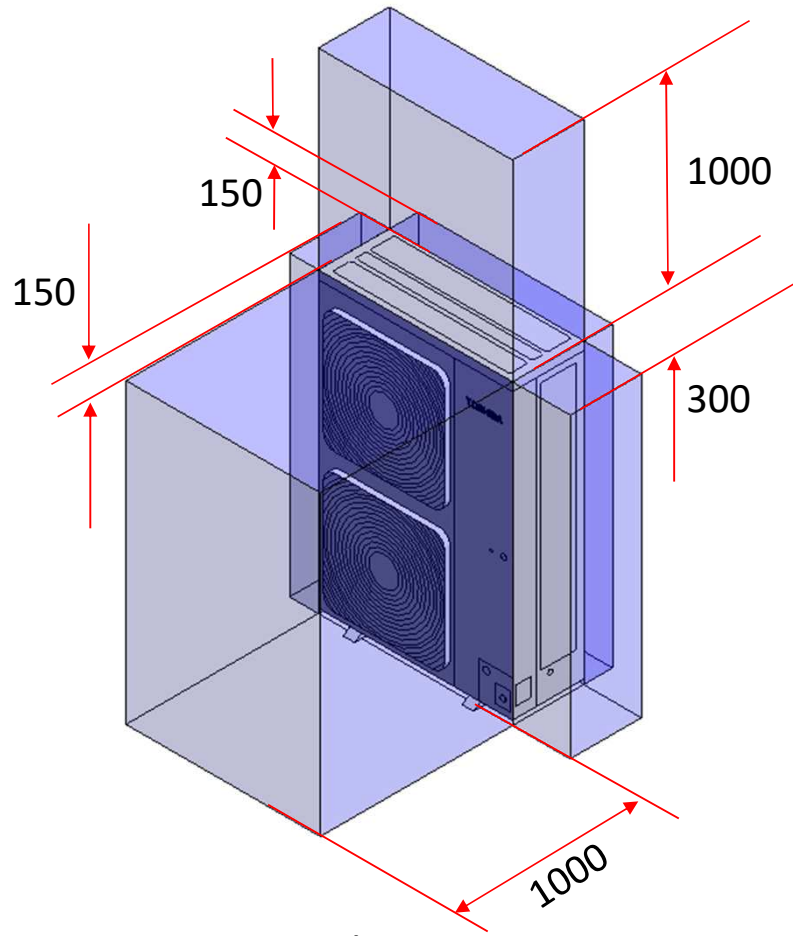
# RAV\_GP1AT8\_110-160



# RAV\_GP1AT8\_110-160



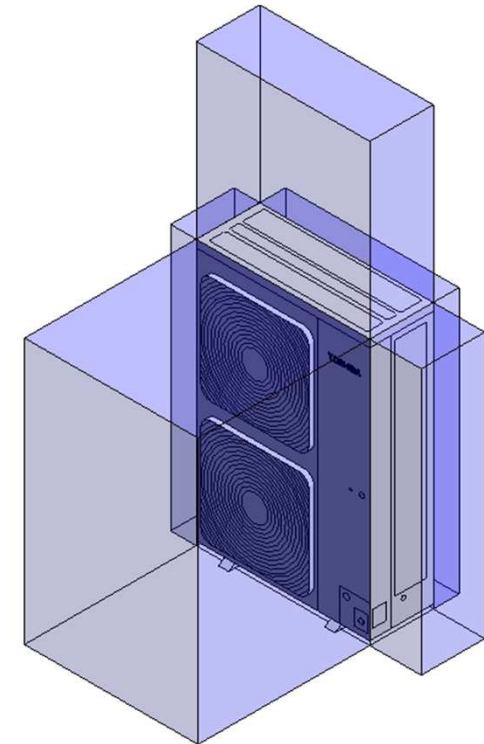
# RAV\_GP1AT8\_110-160\_Service Area



# RAV\_GP1AT8\_110-160

Visibility	
Service Area (default)	<input checked="" type="checkbox"/>
Front Clearance (mm) (default)	1000.0
Rear Clearance (default)	150.0
Right Side Clearance (mm) (default)	300.0
Left Side Clearance (mm) (default)	150.0
Top Clearance (mm)	1000.0

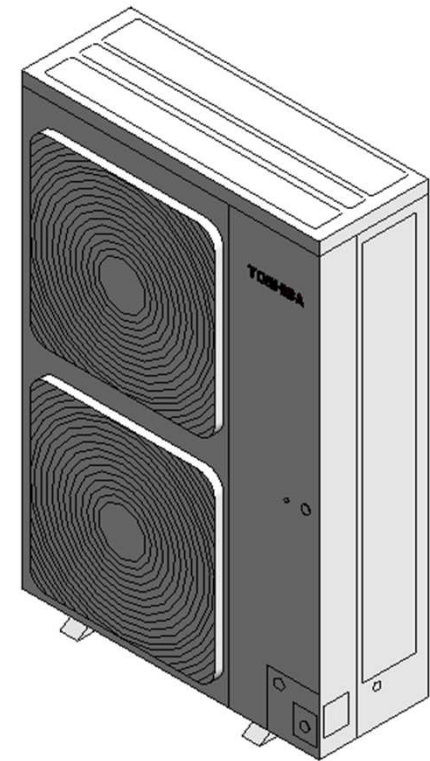
Service Clearance ON



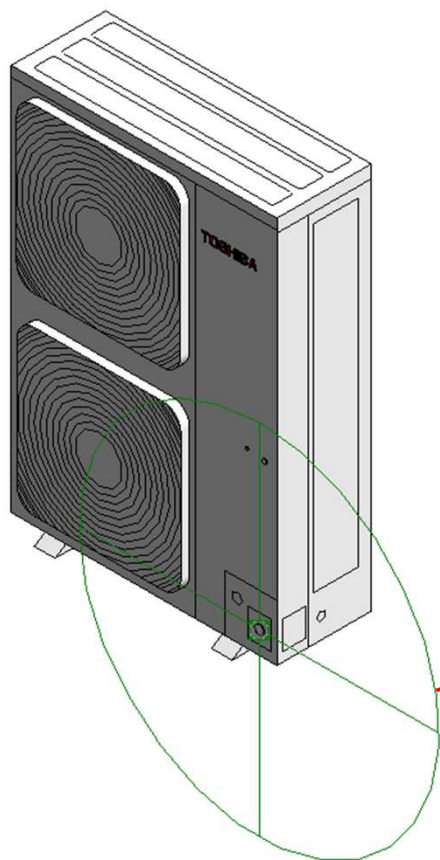
# RAV\_GP1AT8\_110-160

Visibility	
Service Area (default)	<input type="checkbox"/>
Front Clearance (mm) (default)	1000.0
Rear Clearance (default)	150.0
Right Side Clearance (mm) (default)	300.0
Left Side Clearance (mm) (default)	150.0
Top Clearance (mm)	1000.0

Service Clearance OFF



# Electrical Connector

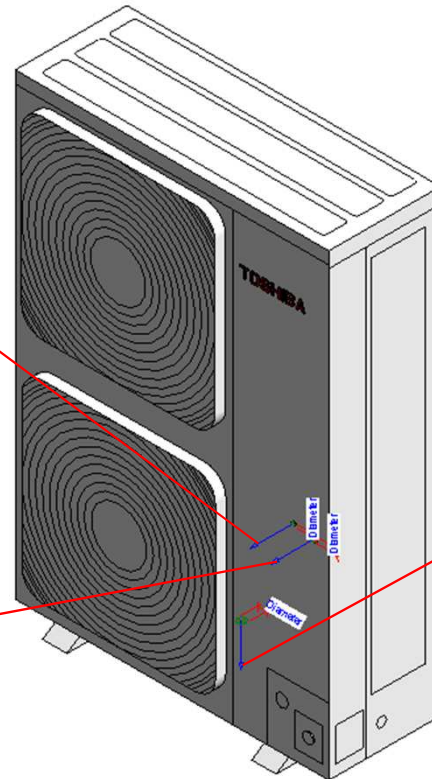


Connector Element (1)	
<b>Electrical - Loads</b>	
System Type	Power - Unbalanced
Number of Poles	1
Power Factor State	Lagging
Load Classification	Other
Load Sub-Classification Motor	<input type="checkbox"/>
Voltage	0.00 V
Apparent Load Phase 1	0.00 VA
Apparent Load Phase 2	0.00 VA
Apparent Load Phase 3	0.00 VA
Power Factor	1.000000
<b>Identity Data</b>	
Utility	<input type="checkbox"/>
Connector Description	ELECTRICAL CONNECTOR

# Pipe Connectors

Properties	
R	
Connector Element (1) Edit Type	
Dimensions	
Diameter	9.5
Mechanical	
K Coefficient	0.000000
Flow Factor	0.000000
Flow Configuration	Calculated
Flow Direction	In
Loss Method	Not Defined
Allow Slope Adjustments	<input type="checkbox"/>
System Classification	Hydronic Supply
Mechanical - Flow	
Flow	0.00 L/s
Pressure Drop	0.00 Pa
Identity Data	
Utility	<input type="checkbox"/>
Connector Description	Refrigerant pipe connecting port - Liquid side @9.5mm

Properties	
R	
Connector Element (1) Edit Type	
Dimensions	
Diameter	15.9
Mechanical	
K Coefficient	0.000000
Flow Factor	0.000000
Flow Configuration	Calculated
Flow Direction	Out
Loss Method	Not Defined
Allow Slope Adjustments	<input type="checkbox"/>
System Classification	Hydronic Return
Mechanical - Flow	
Flow	0.00 L/s
Pressure Drop	0.00 Pa
Identity Data	
Utility	<input type="checkbox"/>
Connector Description	Refrigerant pipe connecting port - Gas side @15.9mm



Properties	
R	
Connector Element (1) Edit Type	
Dimensions	
Diameter	25.0
Mechanical	
K Coefficient	0.000000
Flow Factor	0.000000
Flow Configuration	Calculated
Flow Direction	Out
Loss Method	Not Defined
Allow Slope Adjustments	<input type="checkbox"/>
System Classification	Domestic Hot Water
Mechanical - Flow	
Fixture Units	0.000000
Flow	0.00 L/s
Pressure Drop	0.00 Pa
Identity Data	
Utility	<input type="checkbox"/>
Connector Description	DRAIN PORT



# RAV-GP1101AT8-E

## Family Types

Type name: RAV-GP1101AT8-E

Search parameters

Parameter	Value	Formula
<b>Materials and Finishes</b>		
Red	Colour RGB-250 000 000	=
White	Colour RGB-255 255 255	=
<b>Electrical</b>		
MOCP (A)	20	=
MCA (A)	-	=
Running current-Cooling	-	=
Power consumption-Cooling	-	=
Running current-Heating	-	=
Power consumption-Heating	-	=
Frequency (Hz)	-	=
Voltage (V)	-	=
Starting current	16.4	=
<b>Dimensions</b>		
Height (mm)	1340.0	=
Width (mm)	900.0	=
Depth (mm)	320.0	=
Piping diameter (mm)-Gas	15.9	=
Piping diameter (mm)-Liquid	9.5	=
Drain pipe(mm)	-	=
Duct diameters(mm)	-	=
<b>Mechanical - Flow</b>		
Static pressure	-	=
Sound pressure dB(A) - Cooling/Heating-High	49 / 50	=
Sound pressure dB(A) - Cooling/Heating-Mid+	-	=
Sound pressure dB(A) - Cooling/Heating-Mid	-	=
Sound pressure dB(A) - Cooling/Heating-Low+	-	=
Sound pressure dB(A) - Cooling/Heating-Low	-	=
Airflow m3/h-Cooling/Heating	6060	=
<b>Mechanical - Loads</b>		
Rated Capacity kW-Cooling/Heating	10.0 / 11.2	=
Rated Power Consumption kW-Cooling/Heating	-	=
Rated efficiency-EER / COP	-	=
<b>Energy Analysis</b>		
Energy class-Cooling/Heating	-	=
Seasonal Efficiency-SEER / SCOP	-	=
Pdesign-Cooling/Heating	-	=

## Family Types

Type name: RAV-GP1101AT8-E

Search parameters

Parameter	Value	Formula
<b>Visibility</b>		
Service Area (default)	<input type="checkbox"/>	=
Front Clearance (mm) (default)	1000.0	=
Rear Clearance (default)	150.0	=
Right Side Clearance (mm) (default)	300.0	=
Left Side Clearance (mm) (default)	150.0	=
Top Clearance (mm)	1000	=
<b>Other</b>		
Compressor detail - Type	Hermetic DC twin rotary compressor	=
Compressor detail - Motor output (W)	-	=
Operating range - Cooling (°C)	-15 - 46	=
Operating range - Heating (°C)	-20 - 15	=
Refrigerant information	-	=
Weight (Kg)	95	=
<b>Identity Data</b>		
Article Description	R32 SDI 3Ph	=
Article Type	RAV-GP1101AT8-E	=
Assembly Code		=
Base Family Version		=
CB-NL Class		=
Content Supplier URL	www.hcltech.com	=
Copyright	©Toshiba / HCL	"©Toshiba / HCL"
Cost		=
Custom	<input type="checkbox"/>	=
Description	R32 SDI 3Ph	=
EMCS	4	"4"
ETIM Article Class	EC001213	"EC001213"
Family Version		=
GLN		=
GTIN		=
Internal Art. No.		=
Keynote		=
MEPcontent Class	HEATPUMP	"HEATPUMP"
Manufacturer	Toshiba	"Toshiba"
Manufacturer Art. No.	RAV-GP1101AT8-E	=
Manufacturer URL	https://www.toshiba-carrier.co.jp/global/	=
Model	RAV-GP1101AT8-E	=
Product Line		=
Revit Version		=
Stabu Code		=
Type Comments		=
Type Image		=
URL	https://www.toshiba-carrier.co.jp/global/	=
Watermarked By		=
Wholesaler		=
Wholesaler Art. No.		=

# RAV-GP1401AT8-E

Family Types

Type name: RAV-GP1401AT8-E

Search parameters

Parameter	Value	Formula
<b>Materials and Finishes</b>		
Red	Colour RGB-250 000 000	=
White	Colour RGB-255 255 255	=
<b>Electrical</b>		
MOCP (A)	20	=
MCA (A)	-	=
Running current-Cooling	-	=
Power consumption-Cooling	-	=
Running current-Heating	-	=
Power consumption-Heating	-	=
Frequency (Hz)	-	=
Voltage (V)	-	=
Starting current	16.4	=
<b>Dimensions</b>		
Height (mm)	1340.0	=
Width (mm)	900.0	=
Depth (mm)	320.0	=
Piping diameter (mm)-Gas	15.9	=
Piping diameter (mm)-Liquid	9.5	=
Drain pipe(mm)	-	=
Duct diameters(mm)	-	=
<b>Mechanical - Flow</b>		
Static pressure	-	=
Sound pressure dB(A) - Cooling/Heating-High	51 / 52	=
Sound pressure dB(A) - Cooling/Heating-Mid+	-	=
Sound pressure dB(A) - Cooling/Heating-Mid	-	=
Sound pressure dB(A) - Cooling/Heating-Low+	-	=
Sound pressure dB(A) - Cooling/Heating-Low	-	=
Airflow m3/h-Cooling/Heating	6180	=
<b>Mechanical - Loads</b>		
Rated Capacity kW-Cooling/Heating	12.5 / 14.0	=
Rated Power Consumption kW-Cooling/Heating	-	=
Rated efficiency-EER / COP	-	=
<b>Energy Analysis</b>		
Energy class-Cooling/Heating	-	=
Seasonal Efficiency-SEER / SCOP	-	=
Pdesigh-Cooling/Heating	-	=

Family Types

Type name: RAV-GP1401AT8-E

Search parameters

Parameter	Value	Formula
<b>Visibility</b>		
Service Area (default)	<input type="checkbox"/>	=
Front Clearance (mm) (default)	1000.0	=
Rear Clearance (default)	150.0	=
Right Side Clearance (mm) (default)	300.0	=
Left Side Clearance (mm) (default)	150.0	=
Top Clearance (mm)	1000	=
<b>Other</b>		
Compressor detail - Type	Hermetic DC twin rotary compressor	=
Compressor detail - Motor output (W)	-	=
Operating range - Cooling (°C)	-15 - 46	=
Operating range - Heating (°C)	-20 - 15	=
Refrigerant information	-	=
Weight (Kg)	95	=
<b>Identity Data</b>		
Article Description	R32 SDI 3Ph	=
Article Type	RAV-GP1401AT8-E	=
Assembly Code		=
Base Family Version		=
CB-NL Class		=
Content Supplier URL	www.hcltech.com	=
Copyright	©Toshiba / HCL	= "©Toshiba / HCL"
Cost		=
Custom	<input type="checkbox"/>	=
Description	R32 SDI 3Ph	=
EMCS	4	= "4"
ETIM Article Class	EC001213	= "EC001213"
Family Version		=
GLN		=
GTIN		=
Internal Art. No.		=
Keynote		=
MEPcontent Class	HEATPUMP	= "HEATPUMP"
Manufacturer	Toshiba	= "Toshiba"
Manufacturer Art. No.	RAV-GP1401AT8-E	=
Manufacturer URL	https://www.toshiba-carrier.co.jp/global/	=
Model	RAV-GP1401AT8-E	=
Product Line		=
Revit Version		=
Stabu Code		=
Type Comments		=
Type Image		=
URL	https://www.toshiba-carrier.co.jp/global/	=
Watermarked By		=

# RAV-GP1601AT8-E

Family Types		
Type name: RAV-GP1601AT8-E		
Search parameters		
Parameter	Value	Formula
<b>Materials and Finishes</b>		
Red	Colour RGB-250 000 000	=
White	Colour RGB-255 255 255	=
<b>Electrical</b>		
MOCP (A)	20	=
MCA (A)	-	=
Running current-Cooling	-	=
Power consumption-Cooling	-	=
Running current-Heating	-	=
Power consumption-Heating	-	=
Frequency (Hz)	-	=
Voltage (V)	-	=
Starting current	16.4	=
<b>Dimensions</b>		
Height (mm)	1340.0	=
Width (mm)	900.0	=
Depth (mm)	320.0	=
Piping diameter (mm)-Gas	15.9	=
Piping diameter (mm)-Liquid	9.5	=
Drain pipe(mm)	-	=
Duct diameters(mm)	-	=
<b>Mechanical - Flow</b>		
Static pressure	-	=
Sound pressure dB(A) - Cooling/Heating-High	51 / 53	=
Sound pressure dB(A) - Cooling/Heating-Mid+	-	=
Sound pressure dB(A) - Cooling/Heating-Mid	-	=
Sound pressure dB(A) - Cooling/Heating-Low+	-	=
Sound pressure dB(A) - Cooling/Heating-Low	-	=
Airflow m3/h-Cooling/Heating	6180	=
<b>Mechanical - Loads</b>		
Rated Capacity kW-Cooling/Heating	14.0 / 16.0	=
Rated Power Consumption kW-Cooling/Heating	-	=
Rated efficiency-EER / COP	-	=
<b>Energy Analysis</b>		
Energy class-Cooling/Heating	-	=
Seasonal Efficiency-SEER / SCOP	-	=
Pdesigh-Cooling/Heating	-	=

Family Types		
Type name: RAV-GP1601AT8-E		
Search parameters		
Parameter	Value	Formula
<b>Visibility</b>		
Service Area (default)	<input type="checkbox"/>	=
Front Clearance (mm) (default)	1000.0	=
Rear Clearance (default)	150.0	=
Right Side Clearance (mm) (default)	300.0	=
Left Side Clearance (mm) (default)	150.0	=
Top Clearance (mm)	1000	=
<b>Other</b>		
Compressor detail - Type	Hermetic DC twin rotary compressor	=
Compressor detail - Motor output (W)	-	=
Operating range - Cooling (°C)	-15 - 46	=
Operating range - Heating (°C)	-20 - 15	=
Refrigerant information	-	=
Weight (Kg)	95	=
<b>Identity Data</b>		
Article Description	R32 SDI 3Ph	=
Article Type	RAV-GP1601AT8-E	=
Assembly Code		=
Base Family Version		=
CB-NL Class		=
Content Supplier URL	www.hcltech.com	=
Copyright	© Toshiba / HCL	= "©Toshiba / HCL"
Cost		=
Custom	<input type="checkbox"/>	=
Description	R32 SDI 3Ph	=
EMCS	4	= "4"
ETIM Article Class	EC001213	= "EC001213"
Family Version		=
GLN		=
GTIN		=
Internal Art. No.		=
Keynote		=
MEPcontent Class	HEATPUMP	= "HEATPUMP"
Manufacturer	Toshiba	= "Toshiba"
Manufacturer Art. No.	RAV-GP1601AT8-E	=
Manufacturer URL	https://www.toshiba-carrier.co.jp/global/	=
Model	RAV-GP1601AT8-E	=
Product Line		=
Revit Version		=
Stabu Code		=
Type Comments		=
Type Image		=
URL	https://www.toshiba-carrier.co.jp/global/	=
Watermarked By		=



**Thank You**