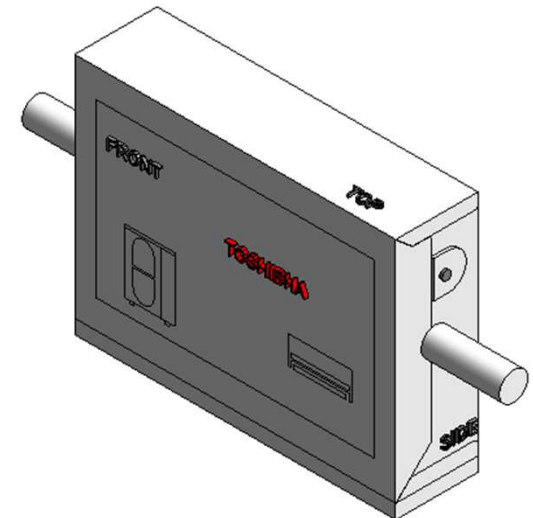
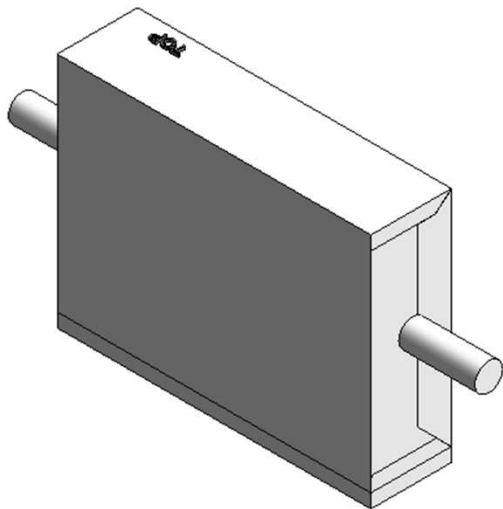
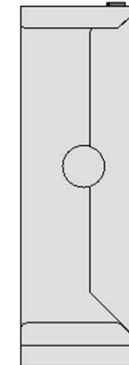
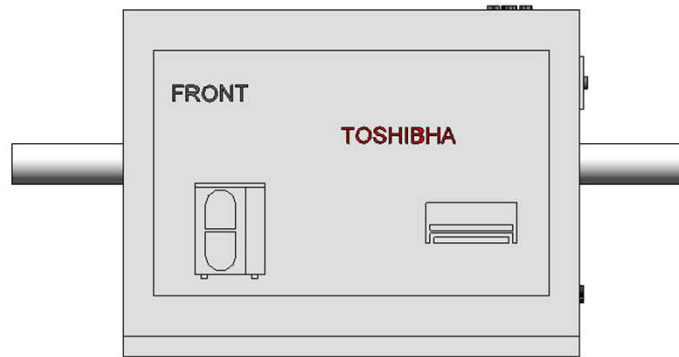
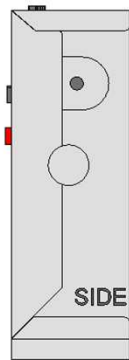


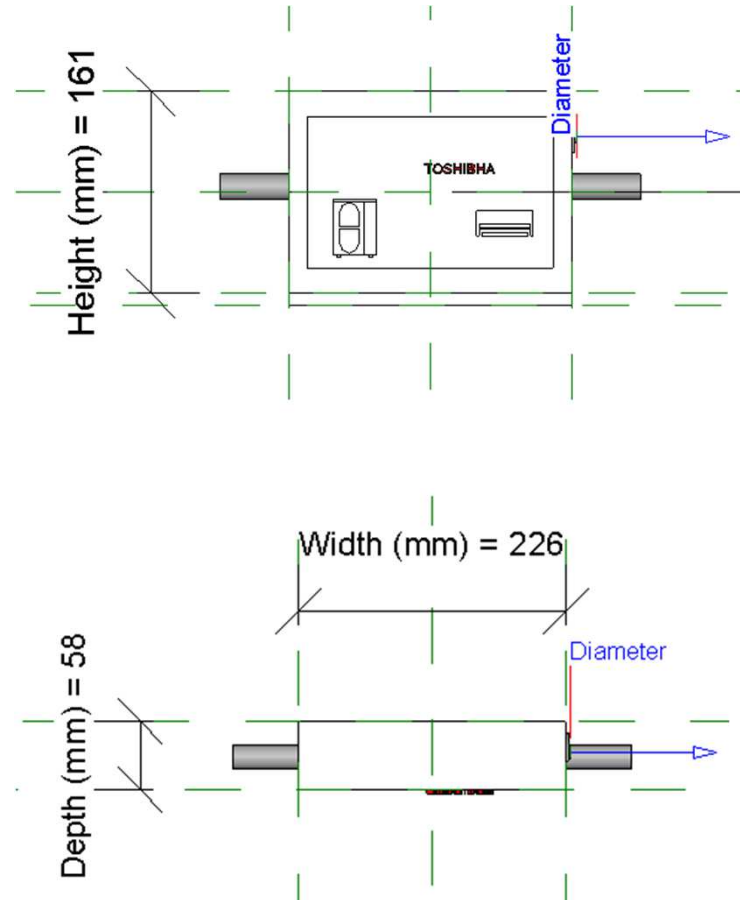
VRF_PMV3E_36-96

29-01-2021

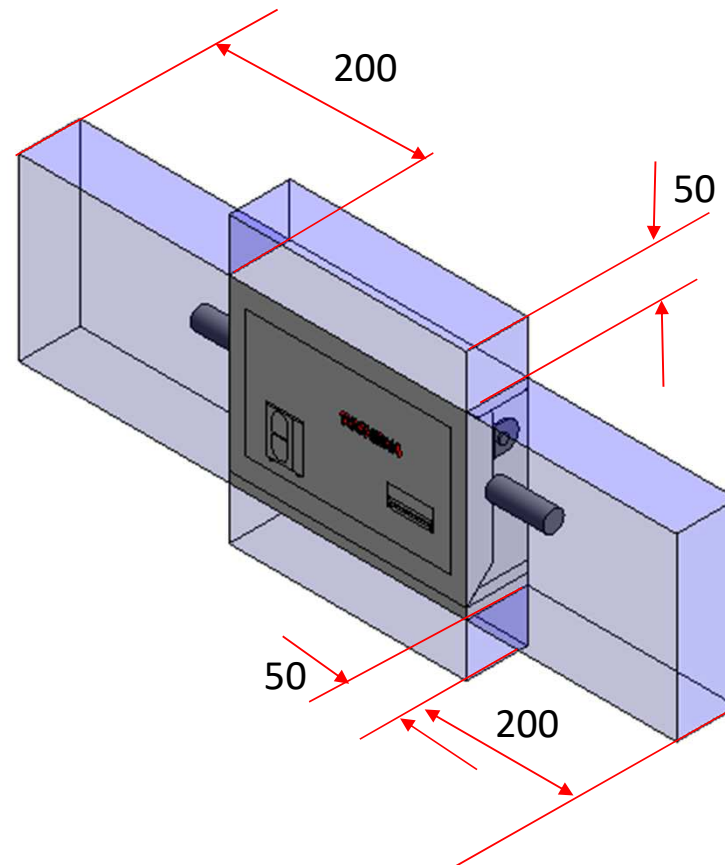
VRF_PMV3E_36-96



VRF_PMV3E_36-96

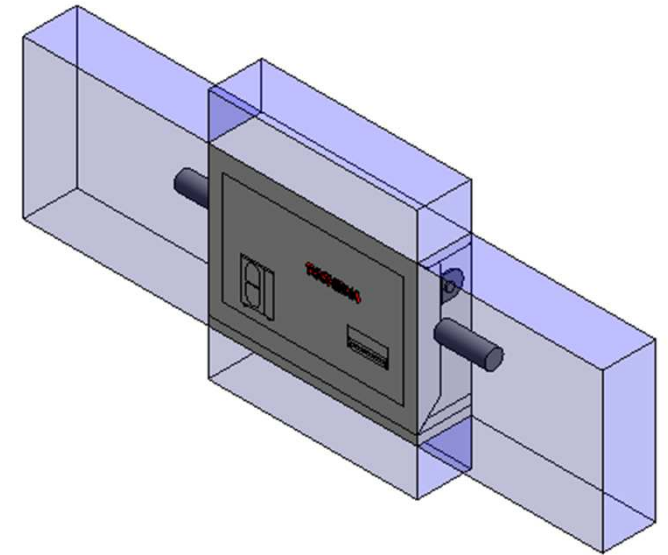


VRF_PMV3E_36-96_Service Area



VRF_PMV3E_36-96

Visibility	
Service Area (default)	<input checked="" type="checkbox"/>
Top Clearance (mm) (default)	50.0
Bottom Clearance (mm) (default)	50.0
Left Side Clearance (mm) (default)	200.0
Right Side Clearance (mm) (default)	200.0

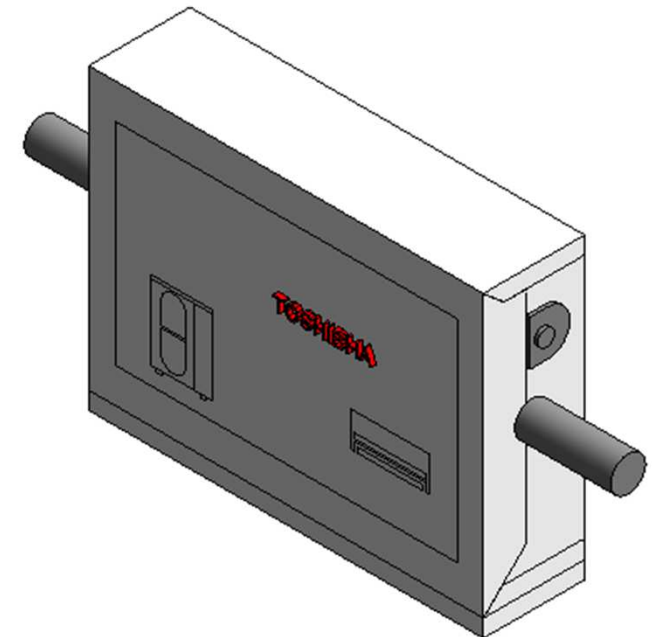


Service Clearance ON

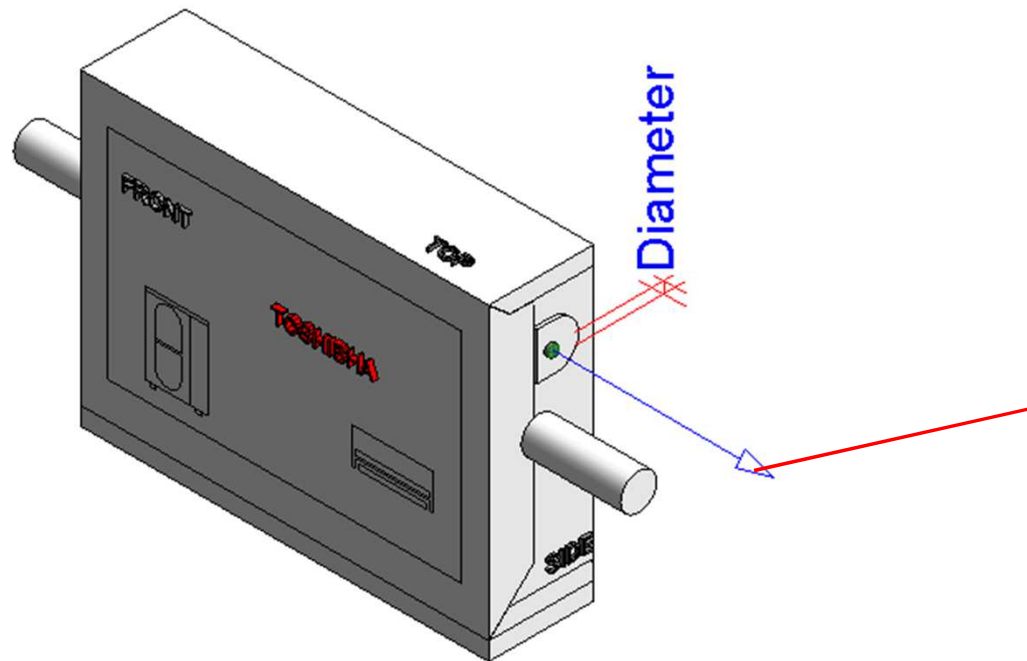
VRF_PMV3E_36-96


Visibility	
Service Area (default)	<input type="checkbox"/>
Top Clearance (mm) (default)	50.0
Bottom Clearance (mm) (default)	50.0
Left Side Clearance (mm) (default)	200.0
Right Side Clearance (mm) (default)	200.0

Service Clearance OFF



Pipe Connectors



Properties	
	
Connector Element (1)	
Dimensions	
Diameter	9.5
Mechanical	
K Coefficient	0.000000
Flow Factor	0.000000
Flow Configuration	Calculated
Flow Direction	In
Loss Method	Not Defined
Allow Slope Adjustments	<input type="checkbox"/>
System Classification	Hydronic Supply
Mechanical - Flow	
Flow	0.00 L/s
Pressure Drop	0.00 Pa
Identity Data	
Utility	<input type="checkbox"/>
Connector Description	Refrigerant piping - Liquid side

RBM-PMV0361U-E

Family Types

Type name: RBM-PMV0361U-E

Search parameters

Parameter	Value	Formula
Materials and Finishes		
Red	Color RGB 255 000 000	=
White	Color RGB 255 255 255	=
Electrical		
MOCP (A)	-	=
MCA (A)	-	=
Running current-Cooling (A)	-	=
Power consumption-Cooling (Kw)	-	=
Running current-Heating (A)	-	=
Power consumption-Heating (Kw)	-	=
Frequency (Hz)	-	=
Voltage (V)	-	=
Starting current (A)	-	=
Dimensions		
Height (mm)	161.0	=
Width (mm)	226.0	=
Depth (mm)	58.0	=
Refrigerant Piping diameter mm-Liquid	6.4	=
Hydronic Return Diameter (mm)	0.0	=
Drain Pipe Diameter (mm)	0.0	=
Duct diameter (mm)	0.0	=
Mechanical - Flow		
Static pressure (Pa)	-	=
Sound pressure - Cooling (dB)	-	=
Sound pressure - Heating (dB)	-	=
Sound pressure - High (dB)	-	=
Airflow (m3/h)	-	=
Mechanical - Loads		
Seasonal & Rated efficiency	-	=
Capacities - Cooling (kW)	-	=
Capacities - Heating (kW)	-	=
Part load	-	=
Energy Analysis		
Energy Class	-	=
Capacity	-	=
Rated efficiency - EER / COP	-	=

Family Types

Type name: RBM-PMV0361U-E

Search parameters

Parameter	Value	Formula
Visibility		
Service Area (default)	<input type="checkbox"/>	=
Top Clearance (mm) (default)	50.0	=
Bottom Clearance (mm) (default)	50.0	=
Left Side Clearance (mm) (default)	200.0	=
Right Side Clearance (mm) (default)	200.0	=
Other		
Compressor detail - Type	-	=
Compressor detail - Motor output (kW)	-	=
Operating range - Cooling (°C)	-	=
Operating range - Heating (°C)	-	=
Refrigerant Information		
Unit Capacity	005, 007, 009,012	=
Identity Data		
Article Description	PMV kit	=
Article Type	RBM-PMV0361U-E	=
Base Family Version		=
CB-NL Class		=
Content Supplier URL	www.hcltech.com	=
Copyright	©Toshiba / HCL	= "©Toshiba / HCL"
EMCS	4	= "4"
ETIM Article Class	EC001213	= "EC001213"
Family Version		
GLN		=
GTIN		=
Internal Art. No.		
MEPcontent Class	HEATPUMP	= "HEATPUMP"
Manufacturer	Toshiba	= "Toshiba"
Manufacturer Art. No.	RBM-PMV0361U-E	=
Manufacturer URL	https://www.toshiba-carrier.co.jp/global/	=
Product Line		
Revit Version	2017	= "2017"
Stabu Code		=
Type Image		=
Keynote		=
Model	RBM-PMV0361U-E	=
Type Comments		
URL	https://www.toshiba-carrier.co.jp/global/	=
Description	PMV kit	=
Assembly Code		=
Cost		=
Watermarked By		=
Wholesaler		=

RBM-PMV0961U-E

Family Types

Type name: RBM-PMV0961U-E

Search parameters

Parameter	Value	Formula
Materials and Finishes		
Red	Color RGB 255 000 000	=
White	Color RGB 255 255 255	=
Electrical		
MOCP (A)	-	=
MCA (A)	-	=
Running current-Cooling (A)	-	=
Power consumption-Cooling (Kw)	-	=
Running current-Heating (A)	-	=
Power consumption-Heating (Kw)	-	=
Frequency (Hz)	-	=
Voltage (V)	-	=
Starting current (A)	-	=
Dimensions		
Height (mm)	161.0	=
Width (mm)	226.0	=
Depth (mm)	58.0	=
Refrigerant Piping diameter mm-Liquid	6.4 / 9.5	=
Hydronic Return Diameter (mm)	0.0	=
Drain Pipe Diameter (mm)	0.0	=
Duct diameter (mm)	0.0	=
Mechanical - Flow		
Static pressure (Pa)	-	=
Sound pressure - Cooling (dB)	-	=
Sound pressure - Heating (dB)	-	=
Sound pressure - High (dB)	-	=
Airflow (m3/h)	-	=
Mechanical - Loads		
Seasonal & Rated efficiency	-	=
Capacities - Cooling (kW)	-	=
Capacities - Heating (kW)	-	=
Part load	-	=
Energy Analysis		
Energy Class	-	=
Capacity	-	=
Rated efficiency - EER / COP	-	=

Family Types

Type name: RBM-PMV0961U-E

Search parameters

Parameter	Value	Formula
Visibility		
Service Area (default)	<input type="checkbox"/>	=
Top Clearance (mm) (default)	50.0	=
Bottom Clearance (mm) (default)	50.0	=
Left Side Clearance (mm) (default)	200.0	=
Right Side Clearance (mm) (default)	200.0	=
Other		
Compressor detail - Type	-	=
Compressor detail - Motor output (kW)	-	=
Operating range - Cooling (°C)	-	=
Operating range - Heating (°C)	-	=
Refrigerant information	-	=
Unit Capacity	014, 015, 018,020, 024, 027, 030, 034	=
Identity Data		
Article Description	PMV kit	=
Article Type	RBM-PMV0961U-E	=
Base Family Version		=
CB-NL Class		=
Content Supplier URL	www.hcltech.com	=
Copyright	©Toshiba / HCL	= "©Toshiba / HCL"
EMCS	4	= "4"
ETIM Article Class	EC001213	= "EC001213"
Family Version		=
GLN		=
GTIN		=
Internal Art. No.		=
MEPcontent Class	HEATPUMP	= "HEATPUMP"
Manufacturer	Toshiba	= "Toshiba"
Manufacturer Art. No.	RBM-PMV0961U-E	=
Manufacturer URL	https://www.toshiba-carrier.co.jp/global/	=
Product Line		=
Revit Version	2017	= "2017"
Stabu Code		=
Type Image		=
Keynote		=
Model	RBM-PMV0961U-E	=
Type Comments		=
URL	https://www.toshiba-carrier.co.jp/global/	=
Description	PMV kit	=
Assembly Code		=
Cost		=
Watermarked By		=
Wholesaler		=



Thank You