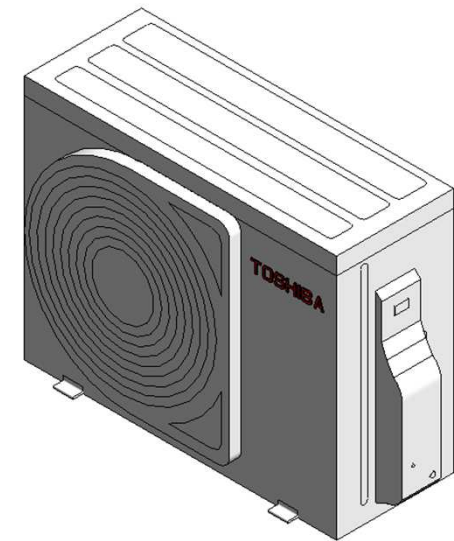
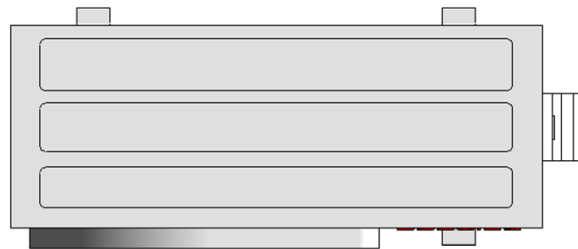
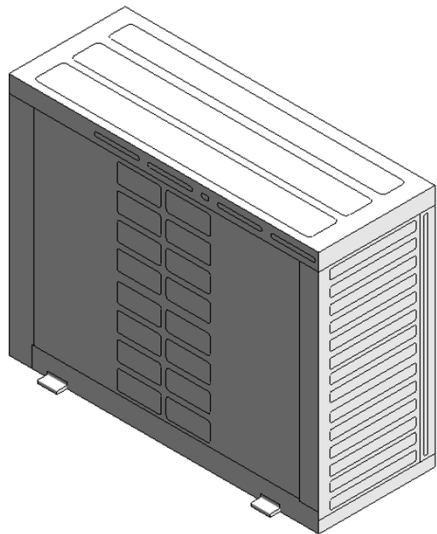
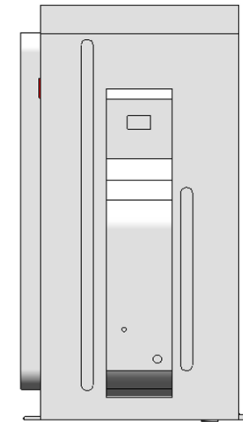
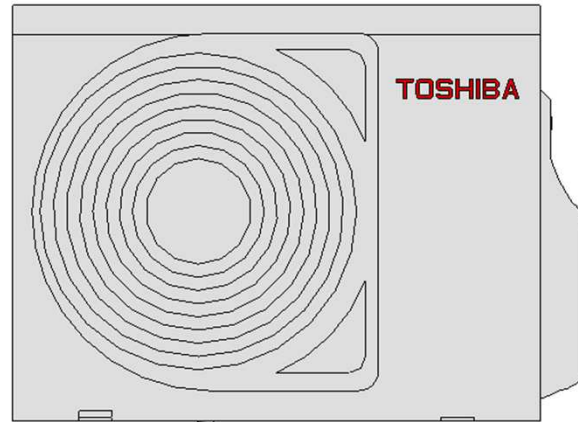
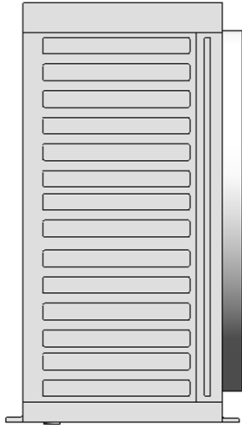


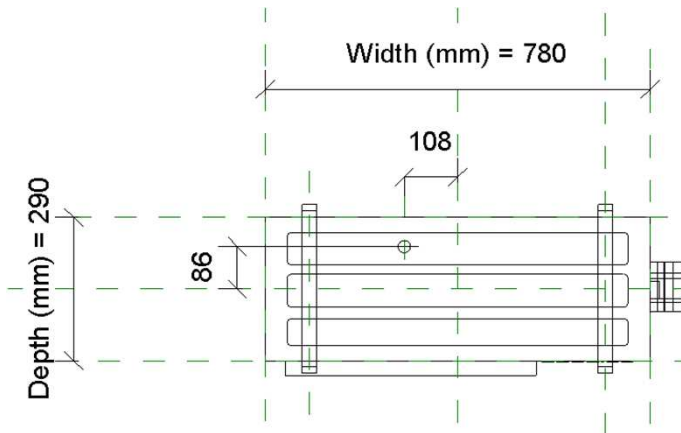
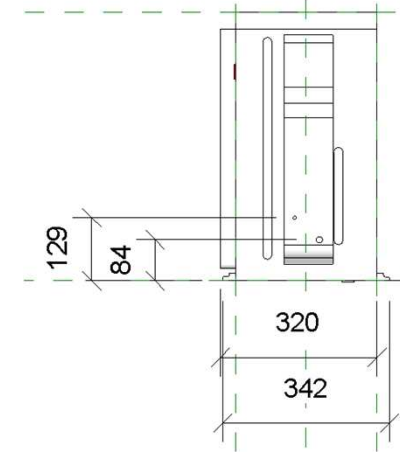
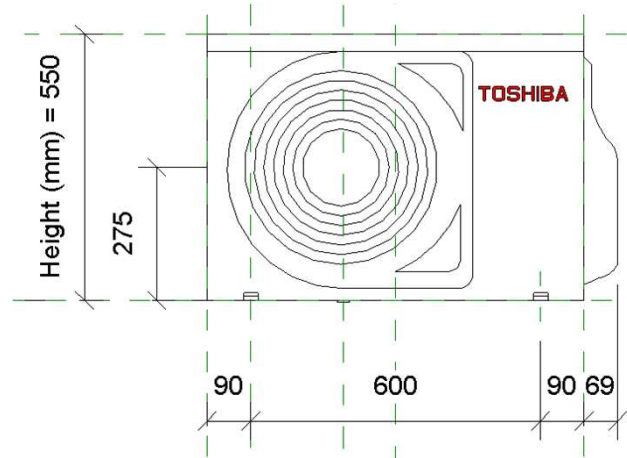
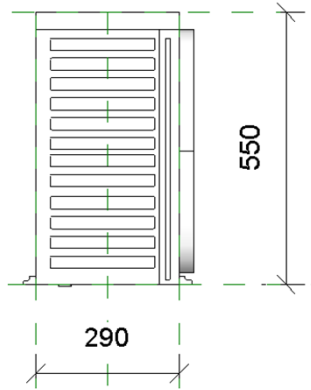
RAS-J2AVSG1_10-16

13-01-2021

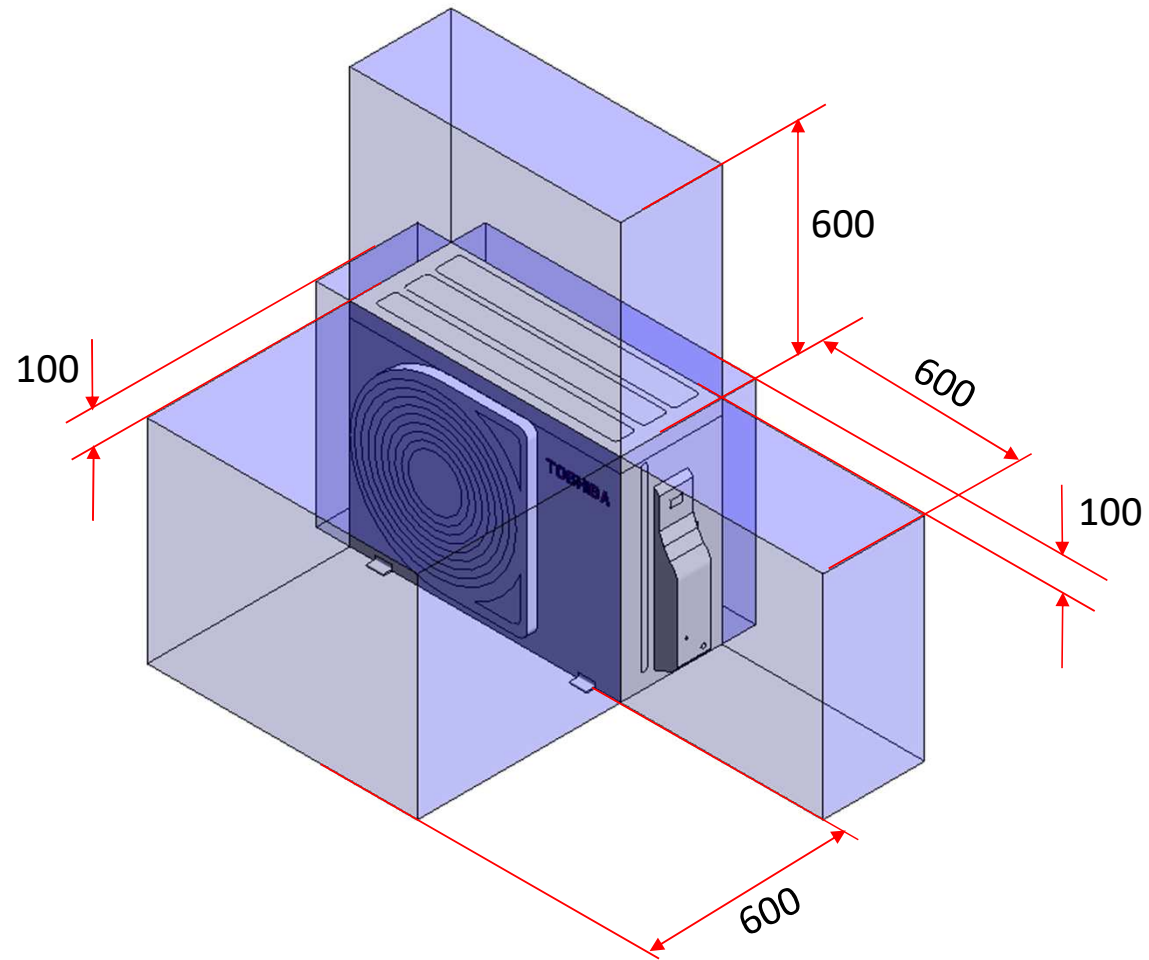
RAS-J2AVSG1_10-16



RAS-J2AVSG1_10-16

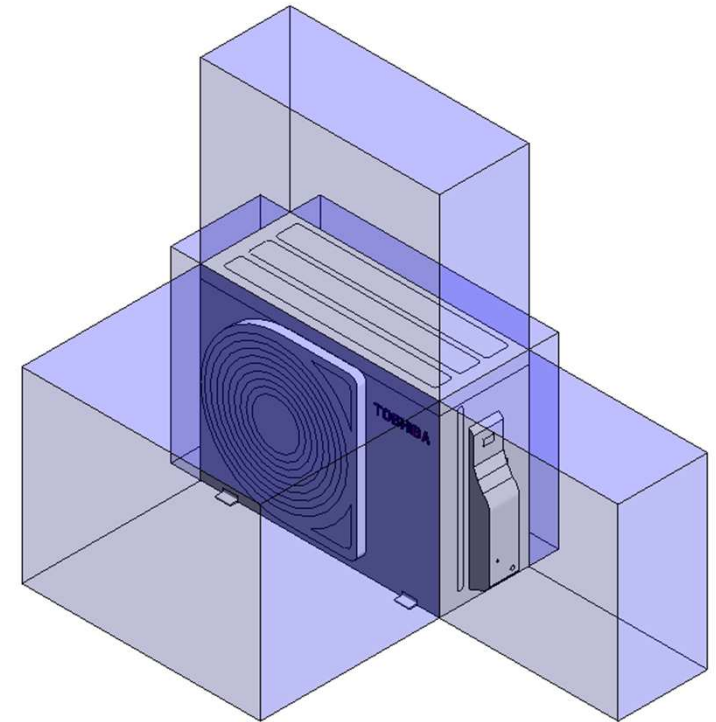


RAS-J2AVSG1_10-16_Service Area



RAS-J2AVSG1_10-16

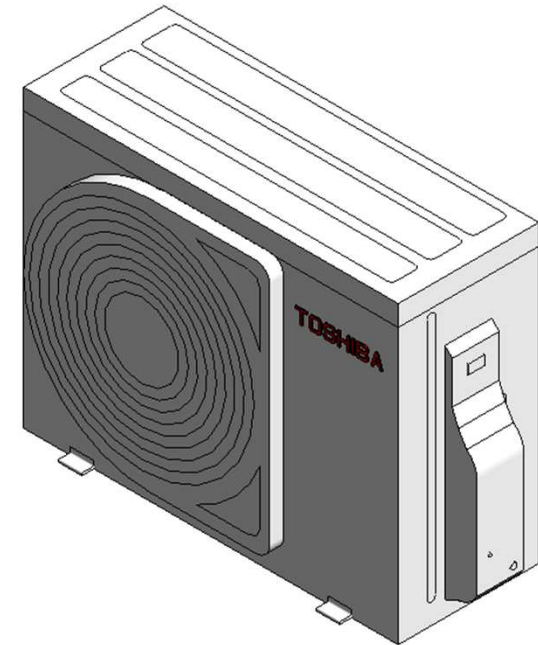
Visibility	
Service Area (default)	<input checked="" type="checkbox"/>
Front Clearance (mm) (default)	600.0
Back Clearance (mm) (default)	100.0
Right Side Clearance (mm) (default)	600.0
Left Side Clearance (mm) (default)	100.0
Top Clearance (mm) (default)	600.0



Service Clearance ON

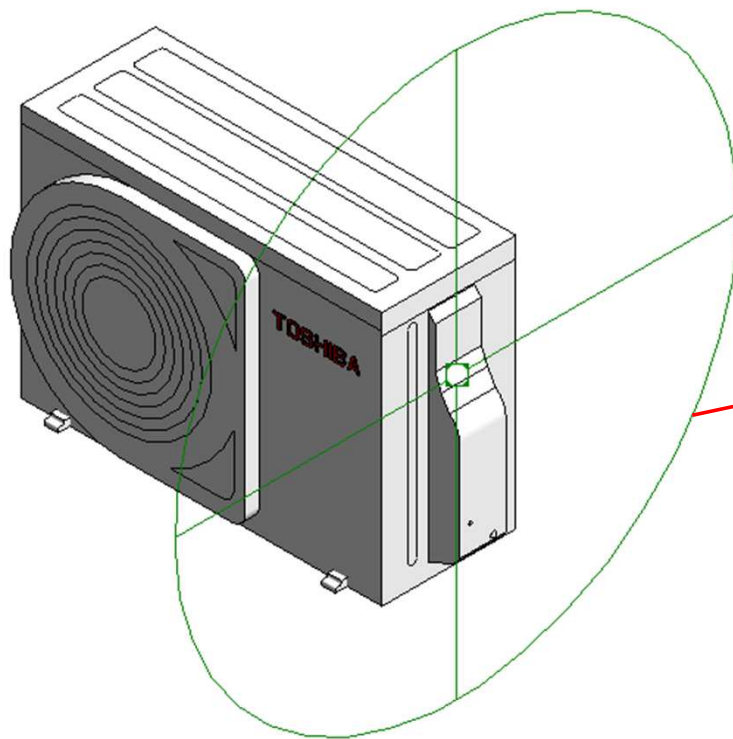
RAS-J2AVSG1_10-16

Visibility	
Service Area (default)	<input type="checkbox"/>
Front Clearance (mm) (default)	600.0
Back Clearance (mm) (default)	100.0
Right Side Clearance (mm) (default)	600.0
Left Side Clearance (mm) (default)	100.0
Top Clearance (mm) (default)	600.0



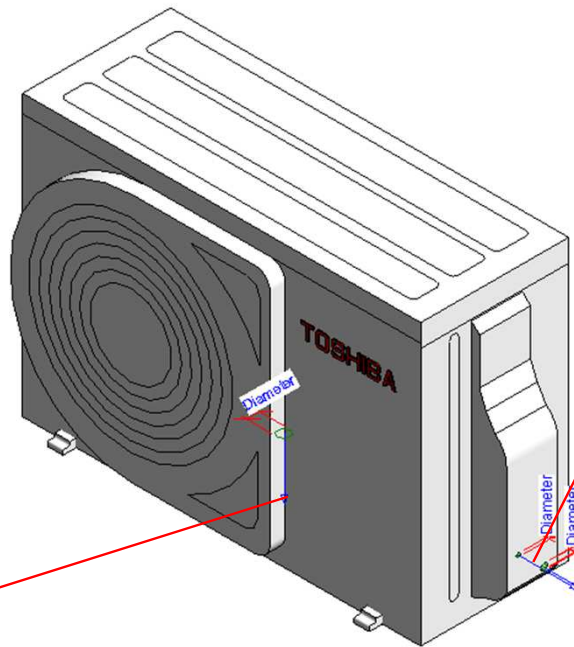
Service Clearance OFF

Electrical Connector



Connector Element (1) Edit Type	
Electrical - Loads	
System Type	Power - Unbalanced
Number of Poles	1
Power Factor State	Lagging
Load Classification	Other
Load Sub-Classification Motor	<input type="checkbox"/>
Voltage	0.00 V
Apparent Load Phase 1	0.00 VA
Apparent Load Phase 2	0.00 VA
Apparent Load Phase 3	0.00 VA
Power Factor	1.000000
Identity Data	
Utility	<input type="checkbox"/>
Connector Description	ELECTRICAL CONNECTOR

Pipe Connectors



Properties	
Connector Element (1)	
Dimensions	
Diameter	25.0
Mechanical	
K Coefficient	0.000000
Flow Factor	0.000000
Flow Configuration	Calculated
Flow Direction	Out
Loss Method	Not Defined
Allow Slope Adjustments	<input type="checkbox"/>
System Classification	Vent
Mechanical - Flow	
Flow	0.00 L/s
Pressure Drop	0.00 Pa
Identity Data	
Utility	<input type="checkbox"/>
Connector Description	DRAIN PORT

Properties	
Connector Element (1)	
Dimensions	
Diameter	6.4
Mechanical	
K Coefficient	0.000000
Flow Factor	0.000000
Flow Configuration	Calculated
Flow Direction	In
Loss Method	Not Defined
Allow Slope Adjustments	<input type="checkbox"/>
System Classification	Hydronic Supply
Mechanical - Flow	
Flow	0.00 L/s
Pressure Drop	0.00 Pa
Identity Data	
Utility	<input type="checkbox"/>
Connector Description	Refrigerant Pipe Connecting Port-Liquid (dia 6.4 mm)

Properties	
Connector Element (1)	
Dimensions	
Diameter	9.5
Mechanical	
K Coefficient	0.000000
Flow Factor	0.000000
Flow Configuration	Calculated
Flow Direction	Out
Loss Method	Not Defined
Allow Slope Adjustments	<input type="checkbox"/>
System Classification	Hydronic Return
Mechanical - Flow	
Flow	0.00 L/s
Pressure Drop	0.00 Pa
Identity Data	
Utility	<input type="checkbox"/>
Connector Description	Refrigerant Pipe Connecting Port-Gas (dia 9.5mm)

Properties	
Connector Element (1)	
Dimensions	
Diameter	12.7
Mechanical	
K Coefficient	0.000000
Flow Factor	0.000000
Flow Configuration	Calculated
Flow Direction	Out
Loss Method	Not Defined
Allow Slope Adjustments	<input type="checkbox"/>
System Classification	Hydronic Return
Mechanical - Flow	
Flow	0.00 L/s
Pressure Drop	0.00 Pa
Identity Data	
Utility	<input type="checkbox"/>
Connector Description	Refrigerant Pipe Connecting Port-Gas (dia 12.7mm)

RAS-10J2AVSG-E1

Family Types

Type name: RAS-10J2AVSG-E1

Search parameters

Parameter	Value	Formula
Materials and Finishes		
Red	Colour RGB-255 000 000	=
White	Colour RGB-255 255 255	=
Electrical		
MOCP (A)	15	=
MCA (A)	-	=
Running current-Cooling	2.57 - 2.35	=
Power consumption-Cooling	505	=
Running current-Heating	3.30 - 3.02	=
Power consumption-Heating	705	=
Frequency (Hz)	50Hz	=
Voltage (V)	220-240V	=
Starting current	-	=
Dimensions		
Height (mm)	550.0	=
Width (mm)	780.0	=
Depth (mm)	290.0	=
Piping diameter (mm)-Gas	9.5	=
Piping diameter (mm)-Liquid	6.4	=
Drain pipe(mm)	-	=
Duct diameters(mm)	-	=
Mechanical - Flow		
Static pressure	-	=
Sound pressure dB(A)-Cooling/Heating-High	46 / 48	=
Sound pressure dB(A)-Cooling/Heating-Mid+	-	=
Sound pressure dB(A)-Cooling/Heating-Mid	-	=
Sound pressure dB(A)-Cooling/Heating-Low+	-	=
Sound pressure dB(A)-Cooling/Heating-Low	-	=
Airflow m3/h-Cooling/Heating	1890 / 1890	=
Mechanical - Loads		
Rated Capacity kW-Cooling/Heating	2.5 / 3.2	=
Rated Power Consumption kW-Cooling/Heating	0.54 / 0.74	=
Rated efficiency-EER / COP	4.63 / 4.32	=
Energy Analysis		
Energy class-Cooling/Heating	A+++ / A+++	=
Seasonal Efficiency-SEER / SCOP	8.60 / 5.10	=
Pdesigh-Cooling/Heating	-	=

Family Types

Type name: RAS-10J2AVSG-E1

Search parameters

Parameter	Value	Formula
Visibility		
Service Area (default)	<input type="checkbox"/>	=
Front Clearance (mm) (default)	600.0	=
Back Clearance (mm) (default)	100.0	=
Right Side Clearance (mm) (default)	600.0	=
Left Side Clearance (mm) (default)	100.0	=
Top Clearance (mm) (default)	600.0	=
Other		
Compressor detail - Type	Hermetic DC rotary compressor	=
Compressor detail - Motor output (W)	-	=
Operating range - Cooling (°C)	-15 - 46	=
Operating range - Heating (°C)	-15 - 24	=
Refrigerant information	R32	=
Weight (Kg)	26	=
Identity Data		
Article Description	Haori desing tier	=
Article Type	RAS-10J2AVSG-E1	=
Assembly Code		=
Base Family Version		=
CB-NL Class		=
Content Supplier URL	www.hcltech.com	=
Copyright	©Toshiba / HCL	= "©Toshiba / HCL"
Cost		=
Custom	<input type="checkbox"/>	=
Description	Haori desing tier	=
EMCS	4	= "4"
ETIM Article Class	EC001213	= "EC001213"
Family Version	2017	= "2017"
GLN		=
GTIN		=
Internal Art. No.		=
Keynote		=
MEPcontent Class	HEATPUMP	= "HEATPUMP"
Manufacturer	Toshiba	= "Toshiba"
Manufacturer Art. No.	RAS-10J2AVSG-E1	=
Manufacturer URL	https://www.toshiba-carrier.co.jp/global/	=
Model	RAS-07J2AVSG-E	=
Product Line	TCTC	= "TCTC"
Revit Version		=
Stabu Code		=
Type Comments		=
Type Image		=
URL	https://www.toshiba-carrier.co.jp/global/	=

RAS-13J2AVSG-E1

Family Types

Type name: RAS-13J2AVSG-E1

Search parameters

Parameter	Value	Formula
Materials and Finishes		
Red	Colour RGB-255 000 000	=
White	Colour RGB-255 255 255	=
Electrical		
MOCP (A)	15	=
MCA (A)	-	=
Running current-Cooling	4.23 - 3.86	=
Power consumption-Cooling	760	=
Running current-Heating	4.92 - 4.54	=
Power consumption-Heating	1040	=
Frequency (Hz)	50Hz	=
Voltage (V)	220-240V	=
Starting current	-	=
Dimensions		
Height (mm)	550.0	=
Width (mm)	780.0	=
Depth (mm)	290.0	=
Piping diameter (mm)-Gas	9.5	=
Piping diameter (mm)-Liquid	6.4	=
Drain pipe(mm)	-	=
Duct diameters(mm)	-	=
Mechanical - Flow		
Static pressure	-	=
Sound pressure dB(A)-Cooling/Heating-High	46 / 48	=
Sound pressure dB(A)-Cooling/Heating-Mid+	-	=
Sound pressure dB(A)-Cooling/Heating-Mid	-	=
Sound pressure dB(A)-Cooling/Heating-Low+	-	=
Sound pressure dB(A)-Cooling/Heating-Low	-	=
Airflow m3/h-Cooling/Heating	1950 / 1950	=
Mechanical - Loads		
Rated Capacity kW-Cooling/Heating	3.5 / 4.2	=
Rated Power Consumption kW-Cooling/Heating	0.80 / 1.08	=
Rated efficiency-EER / COP	4.38 / 3.89	=
Energy Analysis		
Energy class-Cooling/Heating	A+++ / A+++	=
Seasonal Efficiency-SEER / SCOP	8.60 / 5.10	=
Pdesigh-Cooling/Heating	-	=

Family Types

Type name: RAS-13J2AVSG-E1

Search parameters

Parameter	Value	Formula
Visibility		
Service Area (default)	<input type="checkbox"/>	=
Front Clearance (mm) (default)	600.0	=
Back Clearance (mm) (default)	100.0	=
Right Side Clearance (mm) (default)	600.0	=
Left Side Clearance (mm) (default)	100.0	=
Top Clearance (mm) (default)	600.0	=
Other		
Compressor detail - Type	Hermetic DC rotary compressor	=
Compressor detail - Motor output (W)	-	=
Operating range - Cooling (°C)	-15 - 46	=
Operating range - Heating (°C)	-15 - 24	=
Refrigerant information	R32	=
Weight (Kg)	30	=
Identity Data		
Article Description	Haori desing tier	=
Article Type	RAS-13J2AVSG-E1	=
Assembly Code		=
Base Family Version		=
CB-NL Class		=
Content Supplier URL	www.hcltech.com	=
Copyright	©Toshiba / HCL	= "©Toshiba / HCL"
Cost		=
Custom	<input type="checkbox"/>	=
Description	Haori desing tier	=
EMCS	4	= "4"
ETIM Article Class	EC001213	= "EC001213"
Family Version	2017	= "2017"
GLN		=
GTIN		=
Internal Art. No.		=
Keynote		=
MEPcontent Class	HEATPUMP	= "HEATPUMP"
Manufacturer	Toshiba	= "Toshiba"
Manufacturer Art. No.	RAS-13J2AVSG-E1	=
Manufacturer URL	https://www.toshiba-carrier.co.jp/global/	=
Model	RAS-13J2AVSG-E1	=
Product Line	TCTC	= "TCTC"
Revit Version		=
Stabu Code		=
Type Comments		=
Type Image		=
URL	https://www.toshiba-carrier.co.jp/global/	=

RAS-16J2AVSG-E1

Family Types

Type name: RAS-16J2AVSG-E1

Search parameters

Parameter	Value	Formula
Materials and Finishes		
Red	Colour RGB-255 000 000	=
White	Colour RGB-255 255 255	=
Electrical		
MOCP (A)	15	=
MCA (A)	-	=
Running current-Cooling	6.41 - 5.91	=
Power consumption-Cooling	1305	=
Running current-Heating	7.04 - 6.46	=
Power consumption-Heating	1475	=
Frequency (Hz)	50Hz	=
Voltage (V)	220-240V	=
Starting current	-	=
Dimensions		
Height (mm)	550.0	=
Width (mm)	780.0	=
Depth (mm)	290.0	=
Piping diameter (mm)-Gas	12.7	=
Piping diameter (mm)-Liquid	6.4	=
Drain pipe(mm)	-	=
Duct diameters(mm)	-	=
Mechanical - Flow		
Static pressure	-	=
Sound pressure dB(A)-Cooling/Heating-High	48 / 50	=
Sound pressure dB(A)-Cooling/Heating-Mid+	-	=
Sound pressure dB(A)-Cooling/Heating-Mid	-	=
Sound pressure dB(A)-Cooling/Heating-Low+	-	=
Sound pressure dB(A)-Cooling/Heating-Low	-	=
Airflow m3/h-Cooling/Heating	2040 / 2040	=
Mechanical - Loads		
Rated Capacity kW-Cooling/Heating	4.6 / 5.5	=
Rated Power Consumption kW-Cooling/Heating	1.35 / 1.52	=
Rated efficiency-EER / COP	3.41 / 3.62	=
Energy Analysis		
Energy class-Cooling/Heating	A+++ / A+++	=
Seasonal Efficiency-SEER / SCOP	7.80 / 4.60	=
Pdesigh-Cooling/Heating	-	=

Family Types

Type name: RAS-16J2AVSG-E1

Search parameters

Parameter	Value	Formula
Visibility		
Service Area (default)	<input type="checkbox"/>	=
Front Clearance (mm) (default)	600.0	=
Back Clearance (mm) (default)	100.0	=
Right Side Clearance (mm) (default)	600.0	=
Left Side Clearance (mm) (default)	100.0	=
Top Clearance (mm) (default)	600.0	=
Other		
Compressor detail - Type	Hermetic DC rotary compressor	=
Compressor detail - Motor output (W)	-	=
Operating range - Cooling (°C)	-15 - 46	=
Operating range - Heating (°C)	-15- 24	=
Refrigerant information	R32	=
Weight (Kg)	33	=
Identity Data		
Article Description	Haori desing tier	=
Article Type	RAS-16J2AVSG-E1	=
Assembly Code		=
Base Family Version		=
CB-NL Class		=
Content Supplier URL	www.hcltech.com	=
Copyright	©Toshiba / HCL	= "©Toshiba / HCL"
Cost		=
Custom	<input type="checkbox"/>	=
Description	Haori desing tier	=
EMCS	4	= "4"
ETIM Article Class	EC001213	= "EC001213"
Family Version	2017	= "2017"
GLN		=
GTIN		=
Internal Art. No.		=
Keynote		=
MEPcontent Class	HEATPUMP	= "HEATPUMP"
Manufacturer	Toshiba	= "Toshiba"
Manufacturer Art. No.	RAS-16J2AVSG-E1	=
Manufacturer URL	https://www.toshiba-carrier.co.jp/global/	=
Model	RAS-16J2AVSG-E1	=
Product Line	TCTC	= "TCTC"
Revit Version		=
Stabu Code		=
Type Comments		=
Type Image		=
URL	https://www.toshiba-carrier.co.jp/global/	=



Thank You