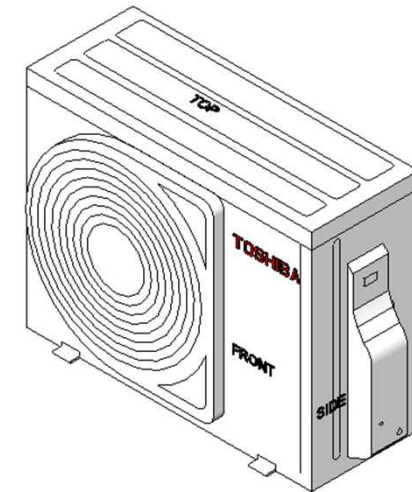
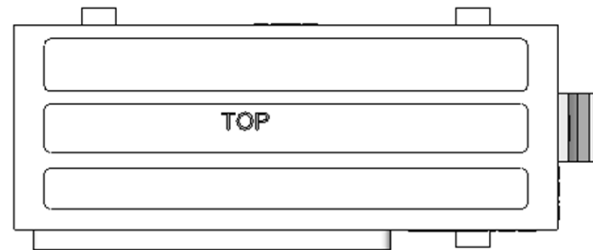
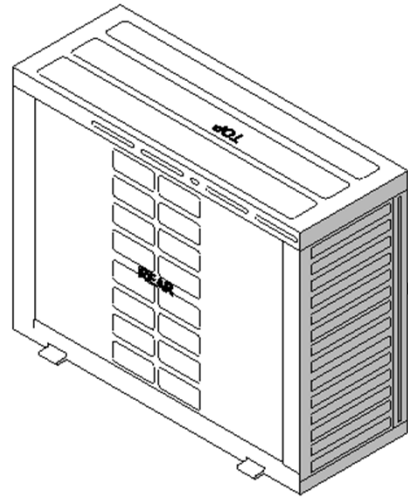
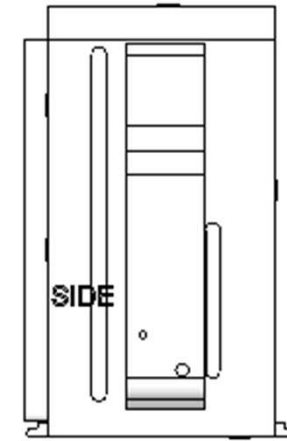
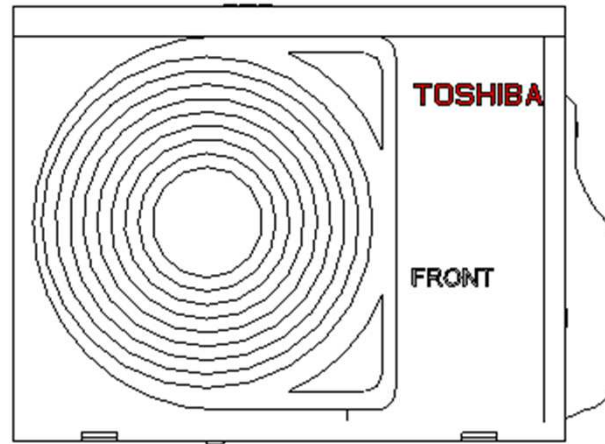
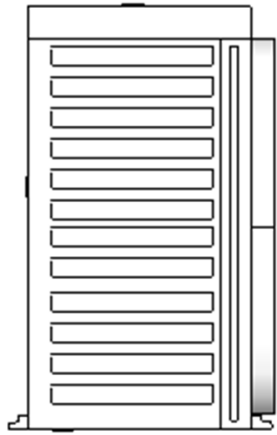




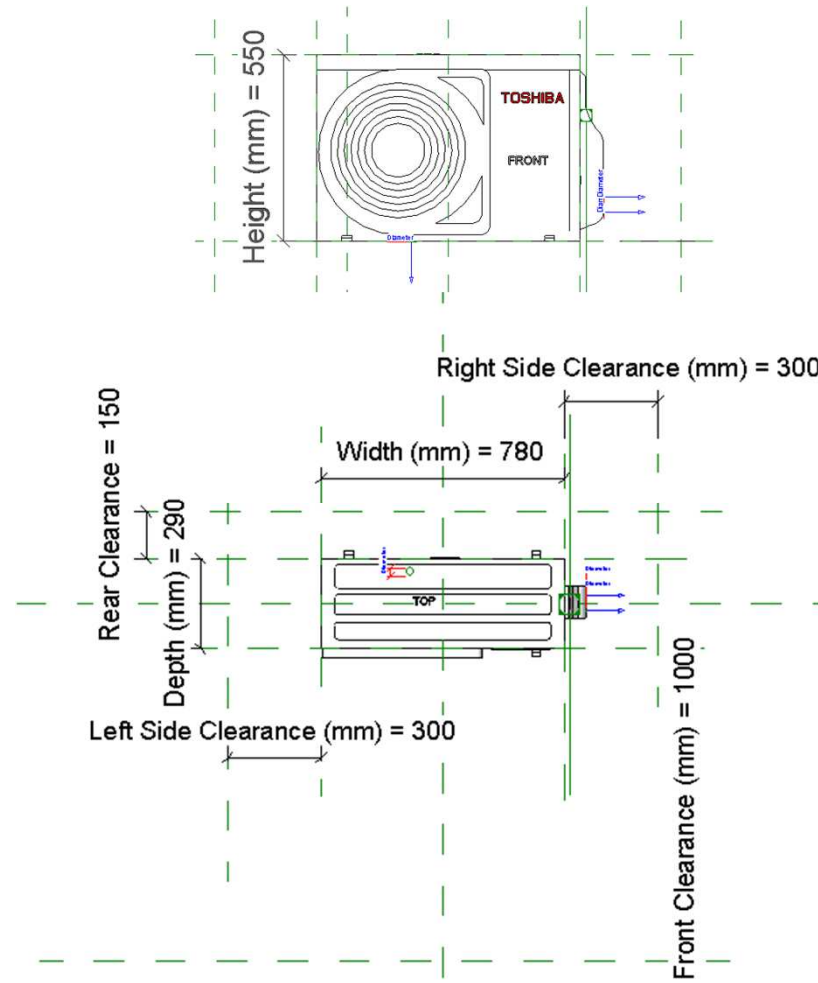
3. RAS_PAVSG_10-22

4-04-2019

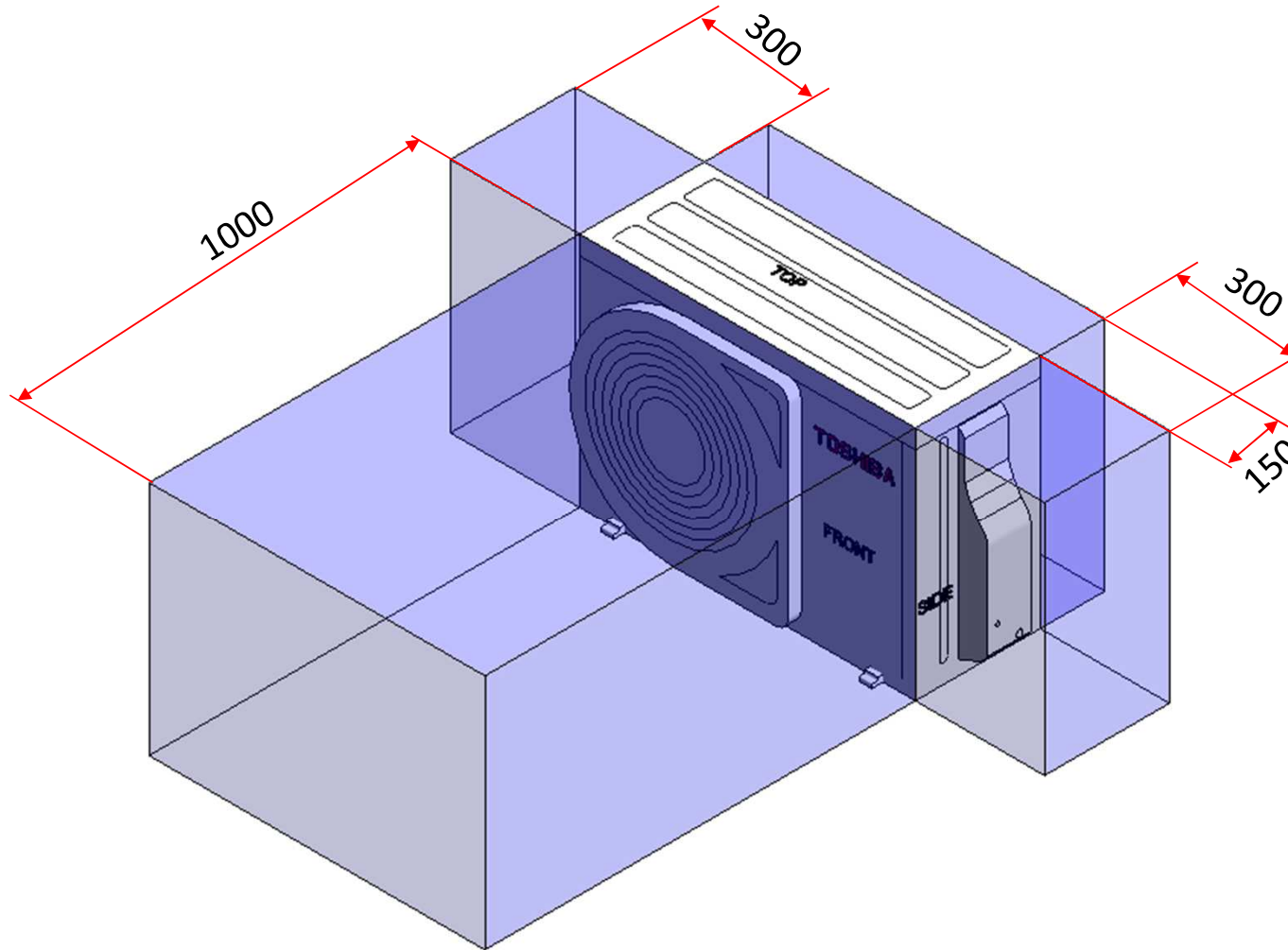
RAS_PAVSG_10-22



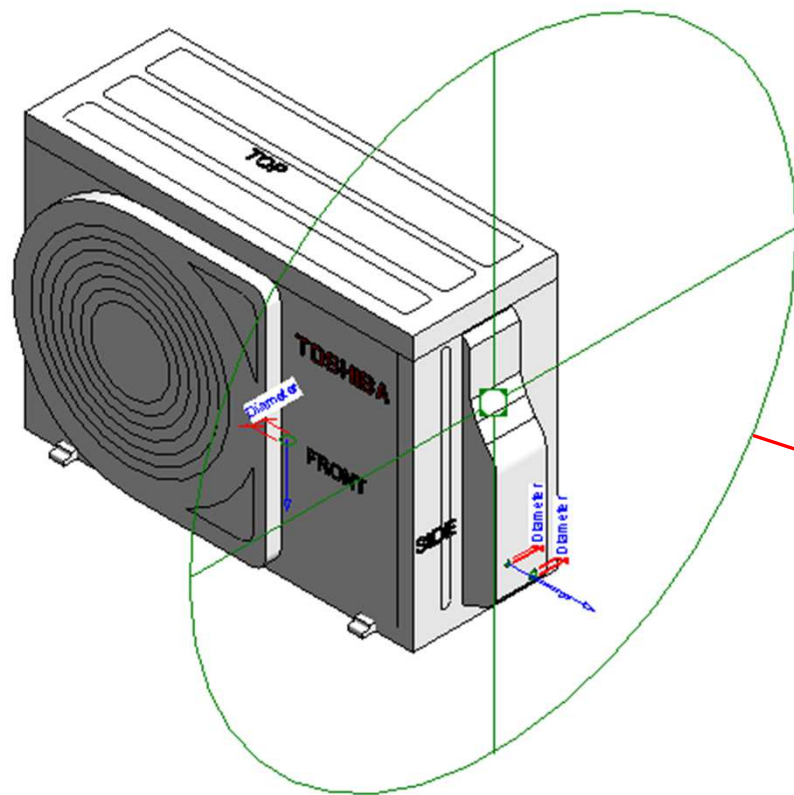
RAS_PAVSG_10-22



RAS_PAVSG_10-22 Service Area

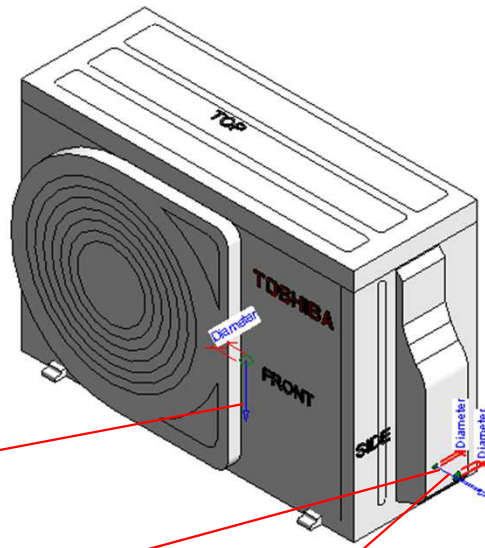


Electrical Connector



Connector Element (1) Edit Type	
Electrical - Loads	
System Type	Power - Unbalanced
Number of Poles	1
Power Factor State	Lagging
Load Classification	Other
Load Sub-Classification Motor	<input type="checkbox"/>
Voltage	0.00 V
Apparent Load Phase 1	0.00 VA
Apparent Load Phase 2	0.00 VA
Apparent Load Phase 3	0.00 VA
Power Factor	1.000000
Identity Data	
Utility	<input type="checkbox"/>
Connector Description	ELECTRICAL CONNECTOR

Pipe Connectors



Connector Element (1)	
Dimensions	
Diameter	25.0
Mechanical	
K Coefficient	0.000000
Flow Factor	0.000000
Flow Configuration	Calculated
Flow Direction	Bidirectional
Loss Method	Not Defined
Allow Slope Adjustments	<input type="checkbox"/>
System Classification	Vent
Mechanical - Flow	
Flow	0.00 L/s
Pressure Drop	0.00 Pa
Identity Data	
Utility	<input type="checkbox"/>
Connector Description	DRAIN PORT

Connector Element (1)	
Dimensions	
Diameter	15.9
Mechanical	
K Coefficient	0.000000
Flow Factor	0.000000
Flow Configuration	Calculated
Flow Direction	Bidirectional
Loss Method	Not Defined
Allow Slope Adjustments	<input type="checkbox"/>
System Classification	Hydronic Return
Mechanical - Flow	
Flow	0.00 L/s
Pressure Drop	0.00 Pa
Identity Data	
Utility	<input type="checkbox"/>
Connector Description	HYDRONIC RETURN (GAS) PORT @ 15.9 mm

Connector Element (1)	
Dimensions	
Diameter	12.7
Mechanical	
K Coefficient	0.000000
Flow Factor	0.000000
Flow Configuration	Calculated
Flow Direction	Bidirectional
Loss Method	Not Defined
Allow Slope Adjustments	<input type="checkbox"/>
System Classification	Hydronic Return
Mechanical - Flow	
Flow	0.00 L/s
Pressure Drop	0.00 Pa
Identity Data	
Utility	<input type="checkbox"/>
Connector Description	HYDRONIC RETURN (GAS) PORT @ 12.7mm

Connector Element (1)	
Dimensions	
Diameter	9.5
Mechanical	
K Coefficient	0.000000
Flow Factor	0.000000
Flow Configuration	Calculated
Flow Direction	Bidirectional
Loss Method	Not Defined
Allow Slope Adjustments	<input type="checkbox"/>
System Classification	Hydronic Return
Mechanical - Flow	
Flow	0.00 L/s
Pressure Drop	0.00 Pa
Identity Data	
Utility	<input type="checkbox"/>
Connector Description	HYDRONIC RETURN (GAS) PORT @ 9.5 mm

Connector Element (1)	
Dimensions	
Diameter	9.5
Mechanical	
K Coefficient	0.000000
Flow Factor	0.000000
Flow Configuration	Calculated
Flow Direction	Bidirectional
Loss Method	Not Defined
Allow Slope Adjustments	<input type="checkbox"/>
System Classification	Hydronic Supply
Mechanical - Flow	
Flow	0.00 L/s
Pressure Drop	0.00 Pa
Identity Data	
Utility	<input type="checkbox"/>
Connector Description	HYDRONIC SUPPLY (LIQUID) PORT @ 9.5 mm

Connector Element (1)	
Dimensions	
Diameter	6.4
Mechanical	
K Coefficient	0.000000
Flow Factor	0.000000
Flow Configuration	Calculated
Flow Direction	Bidirectional
Loss Method	Not Defined
Allow Slope Adjust...	<input type="checkbox"/>
System Classification	Hydronic Supply
Mechanical - Flow	
Flow	0.00 L/s
Pressure Drop	0.00 Pa
Identity Data	
Utility	<input type="checkbox"/>
Connector Descript...	HYDRONIC SUPPLY (LIQUID) PORT @ 6.4n

RAV-GM301ATP-E

Family Types		
Type name:	RAV-GM301ATP-E	
Search parameters		
Parameter	Value	Formula
Materials and Finishes		
Red	Colour RGB-250 000 000	=
White	Colour RGB-255 255 255	=
Electrical		
MOCP (A)	15	=
MCA (A)		=
Running current-Cooling (A)	3.07 - 2.83	=
Power consumption-Cooling (Kw)	0.61	=
Running current-Heating (A)	4.17 - 3.80	=
Power consumption-Heating (Kw)	0.85	=
Frequency (Hz)	50Hz 220-240V	=
Voltage (V)	60Hz 220V	=
Maximum current A	7.9	=
Dimensions		
Height (mm)	550.0	=
Width (mm)	780.0	=
Depth (mm)	290.0	=
Hydronic Supply Diameter (mm)	6.4	=
Hydronic Return Diameter (mm)	9.5	=
Weight (Kg)	29	=
Mechanical - Flow		
Static pressure		=
Sound pressure - Cooling (dB)	46	=
Sound pressure - Heating (dB)	47	=
Airflow	1800	=
Mechanical - Loads		
Seasonal & Rated efficiency		=
Part load		=
Capacities - Cooling (kW)	2.5	=
Capacities - Heating (kW)	3.4	=
Energy Analysis		
Energy class		=
Capacity		=
Rated efficiency		=
Visibility		
Service Area (default)	<input type="checkbox"/>	=
Front Clearance (mm) (default)	1000.0	=
Rear Clearance (default)	150.0	=
Right Side Clearance (mm) (default)	300.0	=
Left Side Clearance (mm) (default)	300.0	=

Other		
Connectivity		=
Compressor detail - Type	Hermetic twin rotary compressor	=
Compressor detail - Motor output (kW)	0.75	=
Operating range - Cooling (°C)	-15 to 46 degC	=
Operating range - Heating (°C)	-15to 15 degC	=
Refrigerant information	R32	=
Water pipe		=
Identity Data		
Article Description	R32 DI S4 1Ph/3PH	=
Article Type	RAV-GM301ATP-E	=
Assembly Code		=
Base Family Version		=
CB-NL Class		=
Content Supplier URL	www.hcltech.com	=
Copyright	© Toshiba / HCL	"©Toshiba / HCL"
Cost		=
Custom	<input type="checkbox"/>	=
Description	R32 DI S4 1Ph/3PH	=
EMCS	4	"4"
ETIM Article Class	EC001213	"EC001213"
Family Version		=
GLN		=
GTIN		=
Internal Art. No.		=
Keynote		=
MEPcontent Class	HEATPUMP	"HEATPUMP"
Manufacturer	Toshiba	"Toshiba"
Manufacturer Art. No.	RAV-GM301ATP-E	=
Manufacturer URL	https://www.toshiba-carrier.co.jp/global/	=
Model	RAV-GM301ATP-E	=
Product Line	TCTC	"TCTC"
Revit Version		=
Stabu Code		=
Type Comments		=
Type Image		=
URL	https://www.toshiba-carrier.co.jp/global/	=
Watermarked By		=
Wholesaler		=
Wholesaler Art. No.		=

RAV-GM401ATP-E

Family Types		
Type name:	RAV-GM401ATP-E	
Search parameters		
Parameter	Value	Formula
Materials and Finishes		
Red	Colour RGB-250 000 000	=
White	Colour RGB-255 255 255	=
Electrical		
MOCp (A)	15	=
MCA (A)		=
Running current-Cooling (A)	5.60 - 5.10	=
Power consumption-Cooling (Kw)	1.13	=
Running current-Heating (A)	5.50 - 6.00	=
Power consumption-Heating (Kw)	1.12	=
Frequency (Hz)	50Hz 220-240V	=
Voltage (V)	60Hz 220V	=
Maximum current A	9.2	=
Dimensions		
Height (mm)	550.0	=
Width (mm)	780.0	=
Depth (mm)	290.0	=
Hydronic Supply Diameter (mm)	6.4	=
Hydronic Return Diameter (mm)	12.7	=
Weight (Kg)	34	=
Mechanical - Flow		
Static pressure		=
Sound pressure - Cooling (dB)	49	=
Sound pressure - Heating (dB)	50	=
Airflow	2200	=
Mechanical - Loads		
Seasonal & Rated efficiency		=
Part load		=
Capacities - Cooling (kW)	3.6	=
Capacities - Heating (kW)	4.0	=
Energy Analysis		
Energy class		=
Capacity		=
Rated efficiency		=
Visibility		
Service Area (default)	<input type="checkbox"/>	=
Front Clearance (mm) (default)	1000.0	=
Rear Clearance (default)	150.0	=
Right Side Clearance (mm) (default)	300.0	=
Left Side Clearance (mm) (default)	300.0	=

Other		
Connectivity		=
Compressor detail - Type	Hermetic twin rotary compressor	=
Compressor detail - Motor output (kW)	1.1	=
Operating range - Cooling (°C)	-15 to 46 degC	=
Operating range - Heating (°C)	-15to 15 degC	=
Refrigerant information	R32	=
Water pipe		=
Identity Data		
Article Description	R32 DI S4 1Ph/3PH	=
Article Type	RAV-GM401ATP-E	=
Assembly Code		=
Base Family Version		=
CB-NL Class		=
Content Supplier URL	www.hcltech.com	=
Copyright	©Toshiba / HCL	= "©Toshiba / HCL"
Cost		=
Custom	<input type="checkbox"/>	=
Description	R32 DI S4 1Ph/3PH	=
EMCS	4	= "4"
ETIM Article Class	EC001213	= "EC001213"
Family Version		=
GLN		=
GTIN		=
Internal Art. No.		=
Keynote		=
MEPcontent Class	HEATPUMP	= "HEATPUMP"
Manufacturer	Toshiba	= "Toshiba"
Manufacturer Art. No.	RAV-GM401ATP-E	=
Manufacturer URL	https://www.toshiba-carrier.co.jp/global/	=
Model	RAV-GM401ATP-E	=
Product Line	TCTC	= "TCTC"
Revit Version		=
Stabu Code		=
Type Comments		=
Type Image		=
URL	https://www.toshiba-carrier.co.jp/global/	=
Watermarked By		=
Wholesaler		=
Wholesaler Art. No.		=

RAV-GM561ATP-E

Family Types		
Type name:	RAV-GM561ATP-E	
Search parameters		
Parameter	Value	Formula
Materials and Finishes		
Red	Colour RGB-250 000 000	=
White	Colour RGB-255 255 255	=
Electrical		
MOCP (A)	20	=
MCA (A)		=
Running current-Cooling (A)	7.78 - 7.13	=
Power consumption-Cooling (Kw)	1.66	=
Running current-Heating (A)	7.26 - 6.66	=
Power consumption-Heating (Kw)	1.55	=
Frequency (Hz)	50Hz 220-240V	=
Voltage (V)	60Hz 220V	=
Maximum current A	15.5	=
Dimensions		
Height (mm)	550.0	=
Width (mm)	780.0	=
Depth (mm)	290.0	=
Hydronic Supply Diameter (mm)	6.4	=
Hydronic Return Diameter (mm)	12.7	=
Weight (Kg)	40	=
Mechanical - Flow		
Static pressure		=
Sound pressure - Cooling (dB)	46	=
Sound pressure - Heating (dB)	48	=
Airflow	2400	=
Mechanical - Loads		
Seasonal & Rated efficiency		=
Part load		=
Capacities - Cooling (kW)	5.0	=
Capacities - Heating (kW)	5.3	=
Energy Analysis		
Energy class		=
Capacity		=
Rated efficiency		=
Visibility		
Service Area (default)	<input type="checkbox"/>	=
Front Clearance (mm) (default)	1000.0	=
Rear Clearance (default)	150.0	=
Right Side Clearance (mm) (default)	300.0	=
Left Side Clearance (mm) (default)	300.0	=

Other		
Connectivity		=
Compressor detail - Type	Hermetic twin rotary compressor	=
Compressor detail - Motor output (kW)	1.1	=
Operating range - Cooling (°C)	-15 to 46 degC	=
Operating range - Heating (°C)	-15to 15 degC	=
Refrigerant information	R32	=
Water pipe		=
Identity Data		
Article Description	R32 DI S4 1Ph/3PH	=
Article Type	RAV-GM561ATP-E	=
Assembly Code		=
Base Family Version		=
CB-NL Class		=
Content Supplier URL	www.hcltech.com	=
Copyright	©Toshiba / HCL	= "©Toshiba / HCL"
Cost		=
Custom	<input type="checkbox"/>	=
Description	R32 DI S4 1Ph/3PH	=
EMCS	4	= "4"
ETIM Article Class	EC001213	= "EC001213"
Family Version		=
GLN		=
GTIN		=
Internal Art. No.		=
Keynote		=
MEPcontent Class	HEATPUMP	= "HEATPUMP"
Manufacturer	Toshiba	= "Toshiba"
Manufacturer Art. No.	RAV-GM561ATP-E	=
Manufacturer URL	https://www.toshiba-carrier.co.jp/global/	=
Model	RAV-GM561ATP-E	=
Product Line	TCTC	= "TCTC"
Revit Version		=
Stabu Code		=
Type Comments		=
Type Image		=
URL	https://www.toshiba-carrier.co.jp/global/	=
Watermarked By		=
Wholesaler		=
Wholesaler Art. No.		=

RAV-GM801ATP-E

Family Types		
Type name:	RAV-GM801ATP-E	
Search parameters		
Parameter	Value	Formula
Materials and Finishes		
Red	Colour RGB-250 000 000	=
White	Colour RGB-255 255 255	=
Electrical		
MOCP (A)	20	=
MCA (A)		=
Running current-Cooling (A)	11.43 - 1- 48	=
Power consumption-Cooling (Kw)	2.44	=
Running current-Heating (A)	12.23 - 11.21	=
Power consumption-Heating (Kw)	2.81	=
Frequency (Hz)	50Hz 220-240V	=
Voltage (V)	60Hz 220V	=
Maximum current A	15.5	=
Dimensions		
Height (mm)	550.0	=
Width (mm)	780.0	=
Depth (mm)	290.0	=
Hydronic Supply Diameter (mm)	9.5	=
Hydronic Return Diameter (mm)	15.9	=
Weight (Kg)	43	=
Mechanical - Flow		
Static pressure		=
Sound pressure - Cooling (dB)	48	=
Sound pressure - Heating (dB)	52	=
Airflow	2700	=
Mechanical - Loads		
Seasonal & Rated efficiency		=
Part load		=
Capacities - Cooling (kW)	6.7	=
Capacities - Heating (kW)	7.7	=
Energy Analysis		
Energy class		=
Capacity		=
Rated efficiency		=
Visibility		
Service Area (default)	<input type="checkbox"/>	=
Front Clearance (mm) (default)	1000.0	=
Rear Clearance (default)	150.0	=
Right Side Clearance (mm) (default)	300.0	=
Left Side Clearance (mm) (default)	300.0	=

Other		
Connectivity		=
Compressor detail - Type	Hermetic twin rotary compressor	=
Compressor detail - Motor output (kW)	1.6	=
Operating range - Cooling (°C)	-15 to 46 degC	=
Operating range - Heating (°C)	-15to 15 degC	=
Refrigerant information	R32	=
Water pipe		=
Identity Data		
Article Description	R32 DI S4 1Ph/3PH	=
Article Type	RAV-GM801ATP-E	=
Assembly Code		=
Base Family Version		=
CB-NL Class		=
Content Supplier URL	www.hcltech.com	=
Copyright	©Toshiba / HCL	"©Toshiba / HCL"
Cost		=
Custom	<input type="checkbox"/>	=
Description	R32 DI S4 1Ph/3PH	=
EMCS	4	"4"
ETIM Article Class	EC001213	"EC001213"
Family Version		=
GLN		=
GTIN		=
Internal Art. No.		=
Keynote		=
MEPcontent Class	HEATPUMP	"HEATPUMP"
Manufacturer	Toshiba	"Toshiba"
Manufacturer Art. No.	RAV-GM801ATP-E	=
Manufacturer URL	https://www.toshiba-carrier.co.jp/global/	=
Model	RAV-GM801ATP-E	=
Product Line	TCTC	"TCTC"
Revit Version		=
Stabu Code		=
Type Comments		=
Type Image		=
URL	https://www.toshiba-carrier.co.jp/global/	=
Watermarked By		=
Wholesaler		=
Wholesaler Art. No.		=

RAV-SM304ATP-E

Family Types		
Type name:	RAV-SM304ATP-E	
Search parameters		
Parameter	Value	Formula
Materials and Finishes		
Red	Colour RGB-250 000 000	=
White	Colour RGB-255 255 255	=
Electrical		
MOCP (A)	11	=
MCA (A)		=
Running current-Cooling (A)		=
Power consumption-Cooling (Kw)	0.61	=
Running current-Heating (A)		=
Power consumption-Heating (Kw)	0.85	=
Frequency (Hz)	50Hz 220-240V	=
Voltage (V)	60Hz 220V	=
Maximum current A	8.5	=
Dimensions		
Height (mm)	550.0	=
Width (mm)	780.0	=
Depth (mm)	290.0	=
Hydronic Supply Diameter (mm)	6.4	=
Hydronic Return Diameter (mm)	9.5	=
Weight (Kg)	33	=
Mechanical - Flow		
Static pressure		=
Sound pressure - Cooling (dB)	46	=
Sound pressure - Heating (dB)	47	=
Airflow	1800	=
Mechanical - Loads		
Seasonal & Rated efficiency		=
Part load		=
Capacities - Cooling (kW)	2.5	=
Capacities - Heating (kW)	3.4	=
Energy Analysis		
Energy class		=
Capacity		=
Rated efficiency		=
Visibility		
Service Area (default)	<input type="checkbox"/>	=
Front Clearance (mm) (default)	1000.0	=
Rear Clearance (mm) (default)	150.0	=
Right Side Clearance (mm) (default)	300.0	=
Left Side Clearance (mm) (default)	300.0	=

Other		
Connectivity		=
Compressor detail - Type	Hermetic twin rotary compressor	=
Compressor detail - Motor output (kW)	0.75	=
Operating range - Cooling (°C)	-15 to 46 degC	=
Operating range - Heating (°C)	-15 to 24 degC	=
Refrigerant information	R410A	=
Water pipe		=
Identity Data		
Article Description	R410A DI S4 1Ph/3PH	=
Article Type	RAV-SM304ATP-E	=
Assembly Code		=
Base Family Version		=
CB-NL Class		=
Content Supplier URL	www.hcltech.com	=
Copyright	©Toshiba / HCL	= "©Toshiba / HCL"
Cost		=
Custom	<input type="checkbox"/>	=
Description	R410A DI S4 1Ph/3PH	=
EMCS	4	= "4"
ETIM Article Class	EC001213	= "EC001213"
Family Version		=
GLN		=
GTIN		=
Internal Art. No.		=
Keynote		=
MEPcontent Class	HEATPUMP	= "HEATPUMP"
Manufacturer	Toshiba	= "Toshiba"
Manufacturer Art. No.	RAV-SM304ATP-E	=
Manufacturer URL	https://www.toshiba-carrier.co.jp/global/	=
Model	RAV-SM304ATP-E	=
Product Line	TCTC	= "TCTC"
Revit Version		=
Stabu Code		=
Type Comments		=
Type Image		=
URL	https://www.toshiba-carrier.co.jp/global/	=
Watermarked By		=
Wholesaler		=
Wholesaler Art. No.		=

RAV-SM404ATP-E

Family Types		
Type name:	RAV-SM404ATP-E	
Search parameters		
Parameter	Value	Formula
Materials and Finishes		
Red	Colour RGB-250 000 000	=
White	Colour RGB-255 255 255	=
Electrical		
MOCp (A)	12	=
MCA (A)		=
Running current-Cooling (A)		=
Power consumption-Cooling (Kw)	1.13	=
Running current-Heating (A)		=
Power consumption-Heating (Kw)	1.12	=
Frequency (Hz)	50Hz 220-240V	=
Voltage (V)	60Hz 220V	=
Maximum current A	10	=
Dimensions		
Height (mm)	550.0	=
Width (mm)	780.0	=
Depth (mm)	290.0	=
Hydronic Supply Diameter (mm)	6.4	=
Hydronic Return Diameter (mm)	12.7	=
Weight (Kg)	39	=
Mechanical - Flow		
Static pressure		=
Sound pressure - Cooling (dB)	49	=
Sound pressure - Heating (dB)	50	=
Airflow	2220	=
Mechanical - Loads		
Seasonal & Rated efficiency		=
Part load		=
Capacities - Cooling (kW)	3.6	=
Capacities - Heating (kW)	4.0	=
Energy Analysis		
Energy class		=
Capacity		=
Rated efficiency		=
Visibility		
Service Area (default)	<input type="checkbox"/>	=
Front Clearance (mm) (default)	1000.0	=
Rear Clearance (default)	150.0	=
Right Side Clearance (mm) (default)	300.0	=
Left Side Clearance (mm) (default)	300.0	=

Other		
Connectivity		=
Compressor detail - Type	Hermetic twin rotary compressor	=
Compressor detail - Motor output (kW)	1.1	=
Operating range - Cooling (°C)	-15 to 46 degC	=
Operating range - Heating (°C)	-15 to 24 degC	=
Refrigerant information	R410A	=
Water pipe		=
Identity Data		
Article Description	R410A DI S4 1Ph/3PH	=
Article Type	RAV-SM404ATP-E	=
Assembly Code		=
Base Family Version		=
CB-NL Class		=
Content Supplier URL	www.hcltech.com	=
Copyright	©Toshiba / HCL	"©Toshiba / HCL"
Cost		=
Custom	<input type="checkbox"/>	=
Description	R410A DI S4 1Ph/3PH	=
EMCS	4	"4"
ETIM Article Class	EC001213	"EC001213"
Family Version		=
GLN		=
GTIN		=
Internal Art. No.		=
Keynote		=
MEPcontent Class	HEATPUMP	"HEATPUMP"
Manufacturer	Toshiba	"Toshiba"
Manufacturer Art. No.	RAV-SM404ATP-E	=
Manufacturer URL	https://www.toshiba-carrier.co.jp/global/	=
Model	RAV-SM404ATP-E	=
Product Line	TCTC	"TCTC"
Revit Version		=
Stabu Code		=
Type Comments		=
Type Image		=
URL	https://www.toshiba-carrier.co.jp/global/	=
Watermarked By		=
Wholesaler		=
Wholesaler Art. No.		=

RAV-SM564ATP-E

Family Types		
Type name:	RAV-SM564ATP-E	
Search parameters		
Parameter	Value	Formula
Materials and Finishes		
Red	Colour RGB-250 000 000	=
White	Colour RGB-255 255 255	=
Electrical		
MOCP (A)	20	=
MCA (A)		=
Running current-Cooling (A)	8.58 - 7.86	=
Power consumption-Cooling (Kw)	1.83	=
Running current-Heating (A)	7.59 - 6.96	=
Power consumption-Heating (Kw)	1.62	=
Frequency (Hz)	50Hz 220-240V	=
Voltage (V)	60Hz 220V	=
Maximum current A	15.5	=
Dimensions		
Height (mm)	550.0	=
Width (mm)	780.0	=
Depth (mm)	290.0	=
Hydronic Supply Diameter (mm)	6.4	=
Hydronic Return Diameter (mm)	12.7	=
Weight (Kg)	40	=
Mechanical - Flow		
Static pressure		=
Sound pressure - Cooling (dB)	46	=
Sound pressure - Heating (dB)	48	=
Airflow	2400	=
Mechanical - Loads		
Seasonal & Rated efficiency		=
Part load		=
Capacities - Cooling (kW)	5.0	=
Capacities - Heating (kW)	5.3	=
Energy Analysis		
Energy class		=
Capacity		=
Rated efficiency		=
Visibility		
Service Area (default)	<input type="checkbox"/>	=
Front Clearance (mm) (default)	1000.0	=
Rear Clearance (default)	150.0	=
Right Side Clearance (mm) (default)	300.0	=
Left Side Clearance (mm) (default)	300.0	=

Other		
Connectivity		=
Compressor detail - Type	Hermetic twin rotary compressor	=
Compressor detail - Motor output (kW)	1.1	=
Operating range - Cooling (°C)	-15 to 46 degC	=
Operating range - Heating (°C)	-15 to 15 degC	=
Refrigerant information	R410A	=
Water pipe		=
Identity Data		
Article Description	R410A DI S4 1Ph/3PH	=
Article Type	RAV-SM564ATP-E	=
Assembly Code		=
Base Family Version		=
CB-NL Class		=
Content Supplier URL	www.hcltech.com	=
Copyright	©Toshiba / HCL	"©Toshiba / HCL"
Cost		=
Custom	<input type="checkbox"/>	=
Description	R410A DI S4 1Ph/3PH	=
EMCS	4	"4"
ETIM Article Class	EC001213	"EC001213"
Family Version		=
GLN		=
GTIN		=
Internal Art. No.		=
Keynote		=
MEP content Class	HEATPUMP	"HEATPUMP"
Manufacturer	Toshiba	"Toshiba"
Manufacturer Art. No.	RAV-SM564ATP-E	=
Manufacturer URL	https://www.toshiba-carrier.co.jp/global/	=
Model	RAV-SM564ATP-E	=
Product Line	TTC	"TTC"
Revit Version		=
Stabu Code		=
Type Comments		=
Type Image		=
URL	https://www.toshiba-carrier.co.jp/global/	=
Watermarked By		=
Wholesaler		=
Wholesaler Art. No.		=

RAV-SM804ATP-E

Family Types		
Type name:	RAV-SM804ATP-E	
Search parameters		
Parameter	Value	Formula
Materials and Finishes		
Red	Colour RGB-250 000 000	=
White	Colour RGB-255 255 255	=
Electrical		
MOCP (A)	20	=
MCA (A)		=
Running current-Cooling (A)	11.15 - 10.22	=
Power consumption-Cooling (Kw)	2.38	=
Running current-Heating (A)	10.87 - 9.97	=
Power consumption-Heating (Kw)	2.32	=
Frequency (Hz)	50Hz 220-240V	=
Voltage (V)	60Hz 220V	=
Maximum current A	15.5	=
Dimensions		
Height (mm)	550.0	=
Width (mm)	780.0	=
Depth (mm)	290.0	=
Hydronic Supply Diameter (mm)	9.5	=
Hydronic Return Diameter (mm)	15.9	=
Weight (Kg)	44	=
Mechanical - Flow		
Static pressure		=
Sound pressure - Cooling (dB)	48	=
Sound pressure - Heating (dB)	52	=
Airflow	2700	=
Mechanical - Loads		
Seasonal & Rated efficiency		=
Part load		=
Capacities - Cooling (kW)	6.7	=
Capacities - Heating (kW)	7.7	=
Energy Analysis		
Energy class		=
Capacity		=
Rated efficiency		=
Visibility		
Service Area (default)	<input type="checkbox"/>	=
Front Clearance (mm) (default)	1000.0	=
Rear Clearance (default)	150.0	=
Right Side Clearance (mm) (default)	300.0	=
Left Side Clearance (mm) (default)	300.0	=

Other		
Connectivity		=
Compressor detail - Type	Hermetic twin rotary compressor	=
Compressor detail - Motor output (kW)	1.6	=
Operating range - Cooling (°C)	-15 to 46 degC	=
Operating range - Heating (°C)	-15 to 15 degC	=
Refrigerant information	R410A	=
Water pipe		=
Identity Data		
Article Description	R410A DI S4 1Ph/3PH	=
Article Type	RAV-SM804ATP-E	=
Assembly Code		=
Base Family Version		=
CB-NL Class		=
Content Supplier URL	www.hcltech.com	=
Copyright	©Toshiba / HCL	= "©Toshiba / HCL"
Cost		=
Custom	<input type="checkbox"/>	=
Description	R410A DI S4 1Ph/3PH	=
EMCS	4	= "4"
ETIM Article Class	EC001213	= "EC001213"
Family Version		=
GLN		=
GTIN		=
Internal Art. No.		=
Keynote		=
MEPcontent Class	HEATPUMP	= "HEATPUMP"
Manufacturer	Toshiba	= "Toshiba"
Manufacturer Art. No.	RAV-SM804ATP-E	=
Manufacturer URL	https://www.toshiba-carrier.co.jp/global/	=
Model	RAV-SM804ATP-E	=
Product Line	TCTC	= "TCTC"
Revit Version		=
Stabu Code		=
Type Comments		=
Type Image		=
URL	https://www.toshiba-carrier.co.jp/global/	=
Watermarked By		=
Wholesaler		=
Wholesaler Art. No.		=

RAV-SP404ATP-E

Family Types		
Type name:	RAV-SP404ATP-E	
Search parameters		
Parameter	Value	Formula
Materials and Finishes		
Red	Colour RGB-250 000 000	=
White	Colour RGB-255 255 255	=
Electrical		
MOCP (A)	16	=
MCA (A)		=
Running current-Cooling (A)	5.40 - 4.95	=
Power consumption-Cooling (Kw)	1.07	=
Running current-Heating (A)	5.13 - 4.70	=
Power consumption-Heating (Kw)	1.04	=
Frequency (Hz)	50Hz 220-240V	=
Voltage (V)		=
Maximum current A	15	=
Dimensions		
Height (mm)	550.0	=
Width (mm)	780.0	=
Depth (mm)	290.0	=
Hydronic Supply Diameter (mm)	6.4	=
Hydronic Return Diameter (mm)	12.7	=
Weight (Kg)	40	=
Mechanical - Flow		
Static pressure		=
Sound pressure - Cooling (dB)	45	=
Sound pressure - Heating (dB)	47	=
Airflow	2400	=
Mechanical - Loads		
Seasonal & Rated efficiency		=
Part load		=
Capacities - Cooling (kW)	3.6	=
Capacities - Heating (kW)	4.0	=
Energy Analysis		
Energy class		=
Capacity		=
Rated efficiency		=
Visibility		
Service Area (default)	<input type="checkbox"/>	=
Front Clearance (mm) (default)	1000.0	=
Rear Clearance (mm) (default)	150.0	=
Right Side Clearance (mm) (default)	300.0	=
Left Side Clearance (mm) (default)	300.0	=

Other		
Connectivity		=
Compressor detail - Type	Hermetic twin rotary compressor	=
Compressor detail - Motor output (kW)	1.1	=
Operating range - Cooling (°C)	-15 to 43 degC	=
Operating range - Heating (°C)	-15to 15 degC	=
Refrigerant information	R410A	=
Water pipe		=
Identity Data		
Article Description	R410A SDI S4 1Ph/3PH	=
Article Type	RAV-SP404ATP-E	=
Assembly Code		=
Base Family Version		=
CB-NL Class		=
Content Supplier URL	www.hcltech.com	=
Copyright	©Toshiba / HCL	"©Toshiba / HCL"
Cost		=
Custom	<input type="checkbox"/>	=
Description	R410A SDI S4 1Ph/3PH	=
EMCS	4	"4"
ETIM Article Class	EC001213	"EC001213"
Family Version		=
GLN		=
GTIN		=
Internal Art. No.		=
Keynote		=
MEPcontent Class	HEATPUMP	"HEATPUMP"
Manufacturer	Toshiba	"Toshiba"
Manufacturer Art. No.	RAV-SP404ATP-E	=
Manufacturer URL	https://www.toshiba-carrier.co.jp/global/	=
Model	RAV-SP404ATP-E	=
Product Line	TCTC	"TCTC"
Revit Version		=
Stabu Code		=
Type Comments		=
Type Image		=
URL	https://www.toshiba-carrier.co.jp/global/	=
Watermarked By		=
Wholesaler		=
Wholesaler Art. No.		=

RAV-SP454ATP-E

Family Types		
Type name:	RAV-SP454ATP-E	
Search parameters		
Parameter	Value	Formula
Materials and Finishes		
Red	Colour RGB-250 000 000	=
White	Colour RGB-255 255 255	=
Electrical		
MOCP (A)	16	=
MCA (A)		=
Running current-Cooling (A)	6.01 - 5.50	=
Power consumption-Cooling (Kw)	1.23	=
Running current-Heating (A)	6.06 - 5.55	=
Power consumption-Heating (Kw)	1.24	=
Frequency (Hz)	50Hz 220-240V	=
Voltage (V)		=
Maximum current A	15	=
Dimensions		
Height (mm)	550.0	=
Width (mm)	780.0	=
Depth (mm)	290.0	=
Hydronic Supply Diameter (mm)	6.4	=
Hydronic Return Diameter (mm)	12.7	=
Weight (Kg)	40	=
Mechanical - Flow		
Static pressure		=
Sound pressure - Cooling (dB)	45	=
Sound pressure - Heating (dB)	47	=
Airflow	2400	=
Mechanical - Loads		
Seasonal & Rated efficiency		=
Part load		=
Capacities - Cooling (kW)	4.0	=
Capacities - Heating (kW)	4.5	=
Energy Analysis		
Energy class		=
Capacity		=
Rated efficiency		=
Visibility		
Service Area (default)	<input type="checkbox"/>	=
Front Clearance (mm) (default)	1000.0	=
Rear Clearance (default)	150.0	=
Right Side Clearance (mm) (default)	300.0	=
Left Side Clearance (mm) (default)	300.0	=

Other		
Connectivity		=
Compressor detail - Type	Hermetic twin rotary compressor	=
Compressor detail - Motor output (kW)	1.1	=
Operating range - Cooling (°C)	-15 to 43 degC	=
Operating range - Heating (°C)	-15to 15 degC	=
Refrigerant information	R410A	=
Water pipe		=
Identity Data		
Article Description	R410A SDI S4 1Ph/3PH	=
Article Type	RAV-SP454ATP-E	=
Assembly Code		=
Base Family Version		=
CB-NL Class		=
Content Supplier URL	www.hcltech.com	=
Copyright	©Toshiba / HCL	= "©Toshiba / HCL"
Cost		=
Custom	<input type="checkbox"/>	=
Description	R410A SDI S4 1Ph/3PH	=
EMCS	4	= "4"
ETIM Article Class	EC001213	= "EC001213"
Family Version		=
GLN		=
GTIN		=
Internal Art. No.		=
Keynote		=
MEPcontent Class	HEATPUMP	= "HEATPUMP"
Manufacturer	Toshiba	= "Toshiba"
Manufacturer Art. No.	RAV-SP454ATP-E	=
Manufacturer URL	https://www.toshiba-carrier.co.jp/global/	=
Model	RAV-SP454ATP-E	=
Product Line	TCTC	= "TCTC"
Revit Version		=
Stabu Code		=
Type Comments		=
Type Image		=
URL	https://www.toshiba-carrier.co.jp/global/	=
Watermarked By		=
Wholesaler		=
Wholesaler Art. No.		=

RAV-SP564ATP-E

Family Types		
Type name:	RAV-SP564ATP-E	
Search parameters		
Parameter	Value	Formula
Materials and Finishes		
Red	Colour RGB-250 000 000	=
White	Colour RGB-255 255 255	=
Electrical		
MOCP (A)	16	=
MCA (A)		=
Running current-Cooling (A)	7.23 - 6.62	=
Power consumption-Cooling (Kw)	1.56	=
Running current-Heating (A)	7.18 - 6.58	=
Power consumption-Heating (Kw)	1.55	=
Frequency (Hz)	50Hz 220-240V	=
Voltage (V)		=
Maximum current A	15	=
Dimensions		
Height (mm)	550.0	=
Width (mm)	780.0	=
Depth (mm)	290.0	=
Hydronic Supply Diameter (mm)	6.4	=
Hydronic Return Diameter (mm)	12.7	=
Weight (Kg)	40	=
Mechanical - Flow		
Static pressure		=
Sound pressure - Cooling (dB)	47	=
Sound pressure - Heating (dB)	48	=
Airflow	2400	=
Mechanical - Loads		
Seasonal & Rated efficiency		=
Part load		=
Capacities - Cooling (kW)	5.0	=
Capacities - Heating (kW)	5.6	=
Energy Analysis		
Energy class		=
Capacity		=
Rated efficiency		=
Visibility		
Service Area (default)	<input type="checkbox"/>	=
Front Clearance (mm) (default)	1000.0	=
Rear Clearance (default)	150.0	=
Right Side Clearance (mm) (default)	300.0	=
Left Side Clearance (mm) (default)	300.0	=

Other		
Connectivity		=
Compressor detail - Type	Hermetic twin rotary compressor	=
Compressor detail - Motor output (kW)	1.1	=
Operating range - Cooling (°C)	-15 to 43 degC	=
Operating range - Heating (°C)	-20 to 15 degC	=
Refrigerant information	R410A	=
Water pipe		=
Identity Data		
Article Description	R410A SDI S4 1Ph/3PH	=
Article Type	RAV-SP564ATP-E	=
Assembly Code		=
Base Family Version		=
CB-NL Class		=
Content Supplier URL	www.hcltech.com	=
Copyright	© Toshiba / HCL	"©Toshiba / HCL"
Cost		=
Custom	<input type="checkbox"/>	=
Description	R410A SDI S4 1Ph/3PH	=
EMCS	4	"4"
ETIM Article Class	EC001213	"EC001213"
Family Version		=
GLN		=
GTIN		=
Internal Art. No.		=
Keynote		=
MEPcontent Class	HEATPUMP	"HEATPUMP"
Manufacturer	Toshiba	"Toshiba"
Manufacturer Art. No.	RAV-SP564ATP-E	=
Manufacturer URL	https://www.toshiba-carrier.co.jp/global/	=
Model	RAV-SP564ATP-E	=
Product Line	TCTC	"TCTC"
Revit Version		=
Stabu Code		=
Type Comments		=
Type Image		=
URL	https://www.toshiba-carrier.co.jp/global/	=
Watermarked By		=
Wholesaler		=
Wholesaler Art. No.		=



Thank You