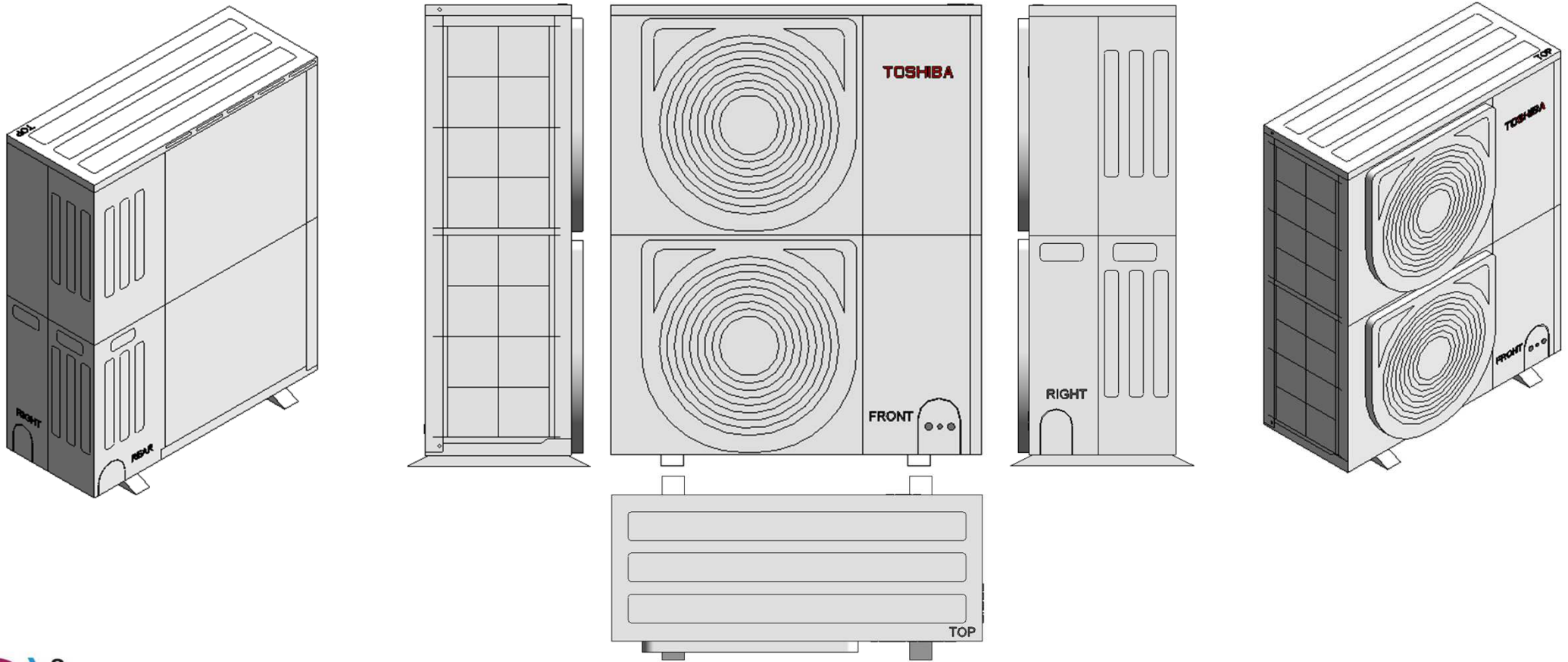


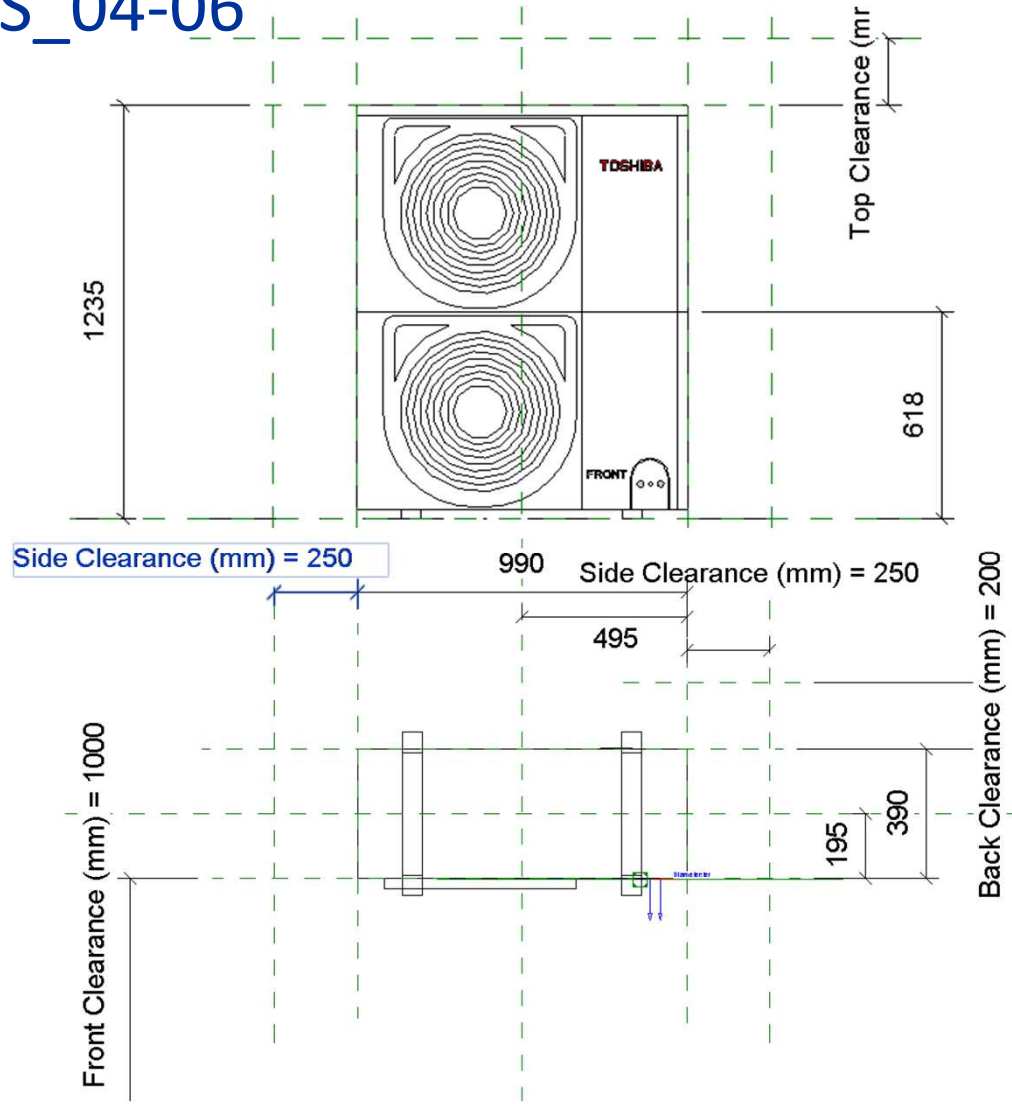
# 40-VRF\_MCY4HT4HS\_04-06

11-02-2019

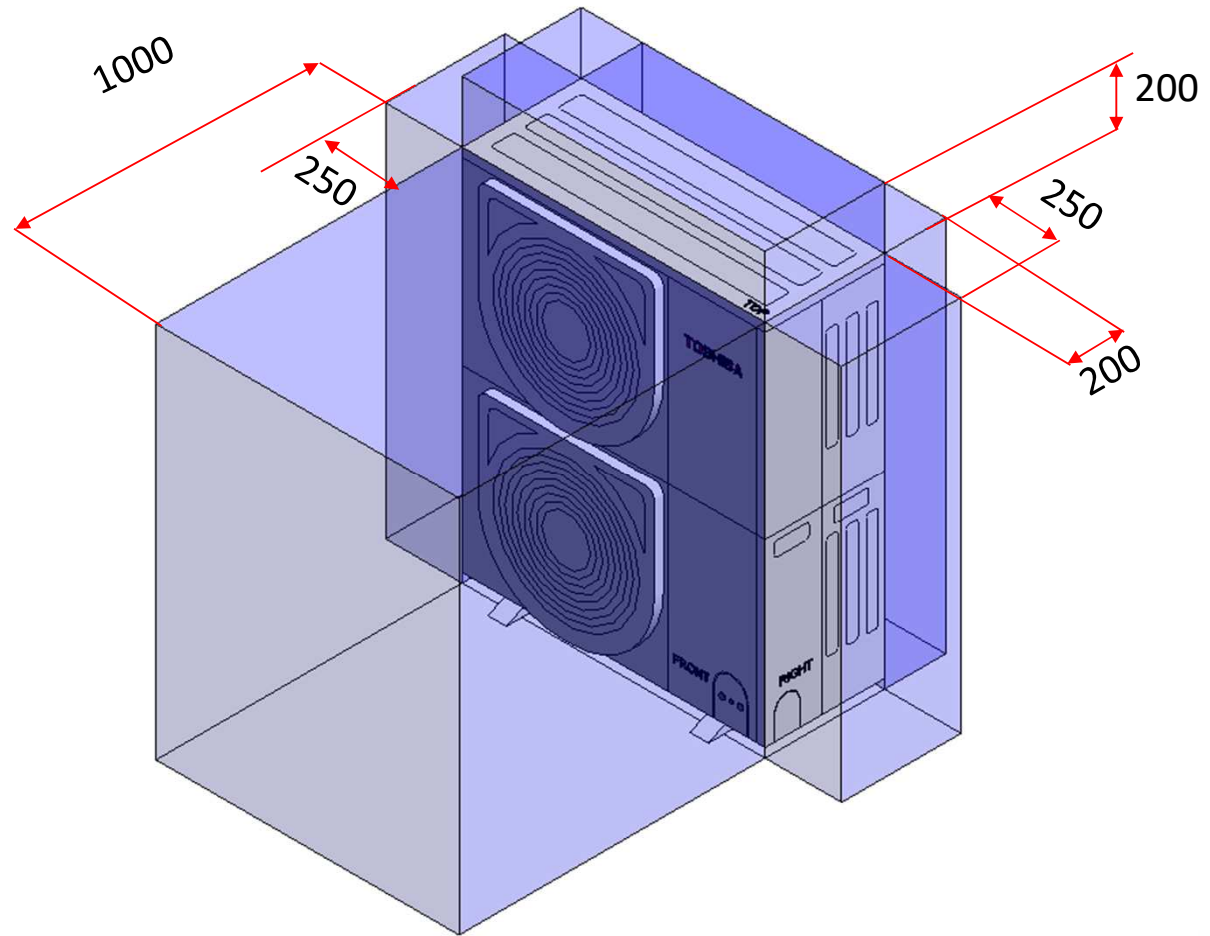
# VRF\_MCY4HT4HS\_04-06



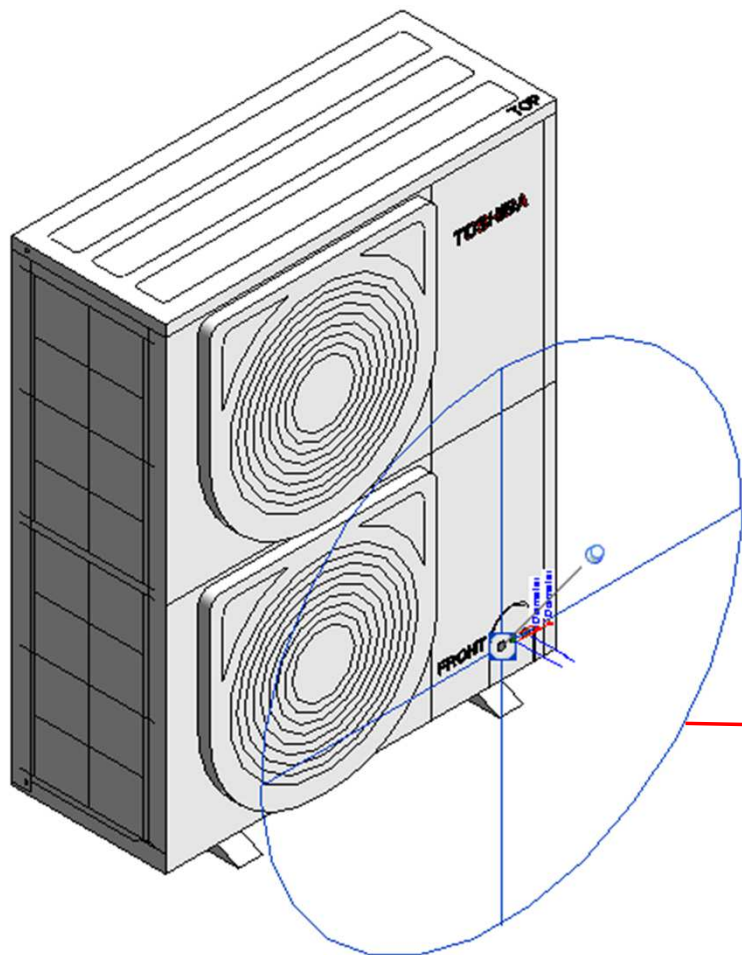
# VRF\_MCY4HT4HS\_04-06



# VRF\_MCY4HT4HS\_04-06 Service Area



# Electrical Connector



Properties

R

Connector Element (1) Edit Type

Electrical - Loads

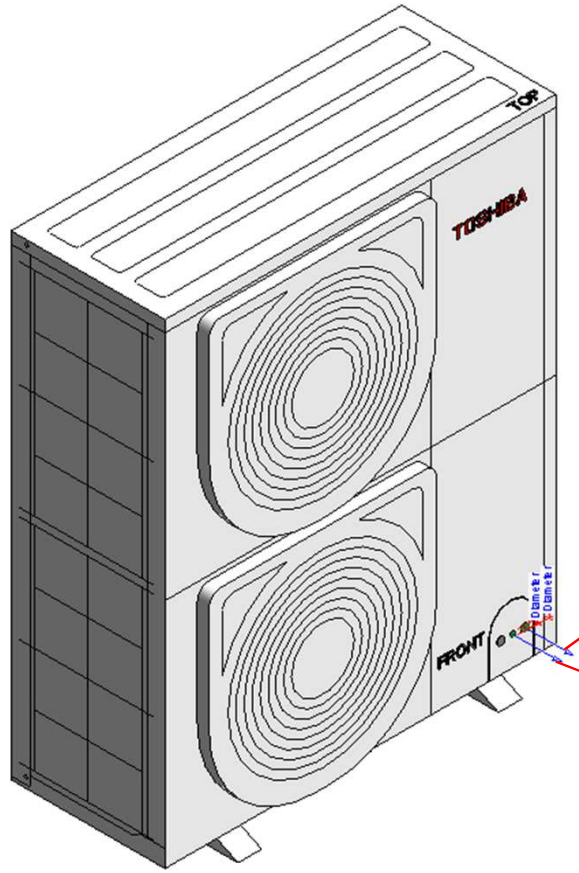
System Type	Power - Unbalanced
Number of Poles	1
Power Factor State	Lagging
Load Classification	Other
Load Sub-Classification Motor	<input type="checkbox"/>
Voltage	0.00 V
Apparent Load Phase 1	0.00 VA
Apparent Load Phase 2	0.00 VA
Apparent Load Phase 3	0.00 VA
Power Factor	1.000000

Identity Data

Utility	<input type="checkbox"/>
Connector Description	ELECTRICAL CONNECTOR



# Pipe Connectors



Properties	
R	
Connector Element (1) Edit Type	
Dimensions	
Diameter	19.1
Mechanical	
K Coefficient	0.000000
Flow Factor	0.000000
Flow Configuration	Calculated
Flow Direction	Bidirectional
Loss Method	Not Defined
Allow Slope Adjustments	<input type="checkbox"/>
System Classification	Domestic Hot Water
Mechanical - Flow	
Fixture Units	0.000000
Flow	0.00 L/s
Pressure Drop	0.00 Pa
Identity Data	
Utility	<input type="checkbox"/>
Connector Description	HYDRONIC RETURN (GAS) PORT @19.1mm

Properties	
R	
Connector Element (1) Edit Type	
Dimensions	
Diameter	12.7
Mechanical	
K Coefficient	0.000000
Flow Factor	0.000000
Flow Configuration	Calculated
Flow Direction	Bidirectional
Loss Method	Not Defined
Allow Slope Adjustments	<input type="checkbox"/>
System Classification	Domestic Hot Water
Mechanical - Flow	
Fixture Units	0.000000
Flow	0.00 L/s
Pressure Drop	0.00 Pa
Identity Data	
Utility	<input type="checkbox"/>
Connector Description	HYDRONIC SUPPLY (LIQUID) PORT @12.7mm

# MCY-MHP0404HS8-E

Family Types

Type name: MCY-MHP0404HS8-E

Search parameters

Parameter	Value	Formula	Lock
<b>Materials and Finishes</b>			
Red	Colour RGB-250 000 000	=	
White	Colour RGB-255 255 255	=	
<b>Electrical</b>			
MOCP (A)	16.0	=	
MCA (A)	12.5	=	
Running current-Cooling (A)	4.8 / 4.5 / 4.4	=	
Power consumption-Cooling (Kw)	2.82	=	
Running current-Heating (A)	4.4 / 4.2 / 4.0	=	
Power consumption-Heating (Kw)	2.57	=	
Frequency (Hz)	3 Phase, 50	=	
Voltage (V)	380 / 400 / 415	=	
Starting current (A)	Soft Start	=	
<b>Dimensions</b>			
Height (mm)	1235.0	=	<input type="checkbox"/>
Width (mm)	990.0	=	<input type="checkbox"/>
Depth (mm)	390.0	=	<input type="checkbox"/>
Hydronic Supply Diameter (mm)	12.7	=	<input type="checkbox"/>
Hydronic Return Diameter (mm)	19.1	=	<input type="checkbox"/>
Weight (Kg)	125	=	
<b>Mechanical</b>			
Drain Fixture Units (default)	0.000000	=	
Hydronic Supply Flow (default)	0.00 L/s	=	
Hydronic Return Flow (default)	0.00 L/s	=	
<b>Mechanical - Flow</b>			
Sound pressure - Cooling (dB)	49.0	=	
Sound pressure - Heating (dB)	52.0	=	
Airflow (m3/h)	5660	=	
<b>Mechanical - Loads</b>			
Rated efficiency - EER / COP	4.29 / 4.86	=	
Part load	30-100%	=	
Capacities - Cooling (kW)	12.1	=	
Capacities - Heating (kW)	12.5	=	
<b>Visibility</b>			
Service Area (default)	<input checked="" type="checkbox"/>	=	
Front Clearance (mm) (default)	1000.0	=	<input type="checkbox"/>
Side Clearance (mm) (default)	250.0	=	<input type="checkbox"/>
Back Clearance (mm) (default)	200.0	=	<input type="checkbox"/>
Top Clearance (mm) (default)	200.0	=	<input type="checkbox"/>

<b>Other</b>		
Compressor detail - Type	Hermetic twin rotary compressor	=
Compressor detail - Motor output (kW)	3.75	=
Operating range - Cooling (°C)	-5 - 46	=
Operating range - Heating (°C)	-20 - 15	=
Refrigerant information	R410A	=
<b>Identity Data</b>		
Article Description	Double fan Side Blow VRF	= "Double fan Side Blow VRF"
Article Type	MCY-MHP0404HS8-E	=
Assembly Code		=
Base Family Version		=
CB-NL Class		=
Content Supplier URL	www.hcltech.com	=
Copyright	©Toshiba / HCL	= "©Toshiba / HCL"
Cost		=
Description	Double fan Side Blow VRF	= "Double fan Side Blow VRF"
EMCS	4	= "4"
ETIM Article Class	EC001213	= "EC001213"
Family Version		=
GLN		=
GTIN		=
Internal Art. No.		=
Keynote		=
MEPcontent Class	HEATPUMP	= "HEATPUMP"
Manufacturer	Toshiba	= "Toshiba"
Manufacturer Art. No.	MCY-MHP0404HS8-E	=
Manufacturer URL	www.toshiba-aircon.co.uk	=
Model	MCY-MHP0404HS8-E	=
Product Line	TCAC	=
Revit Version		=
Stabu Code		=
Type Comments		=
Type Image		=
URL	www.toshiba-aircon.co.uk	=
Watermarked By		=
Wholesaler		=
Wholesaler Art. No.		=

# MCY-MHP0404HS-E

Parameter	Value	Formula	Lock
<b>Materials and Finishes</b>			
Red	Colour RGB-250 000 000	=	
White	Colour RGB-255 255 255	=	
<b>Electrical</b>			
MOCP (A)	32.0	=	
MCA (A)	23.5	=	
Running current-Cooling (A)	13.5 / 13.0 / 12.4	=	
Power consumption-Cooling (Kw)	2.83	=	
Running current-Heating (A)	12.5 / 12.0 / 11.5	=	
Power consumption-Heating (Kw)	2.59	=	
Frequency (Hz)	50	=	
Voltage (V)	220 / 230 / 240	=	
Starting current (A)	Soft Start	=	
<b>Dimensions</b>			
Height (mm)	1235.0	=	<input type="checkbox"/>
Width (mm)	990.0	=	<input type="checkbox"/>
Depth (mm)	390.0	=	<input type="checkbox"/>
Hydronic Supply Diameter (mm)	12.7	=	<input type="checkbox"/>
Hydronic Return Diameter (mm)	19.1	=	<input type="checkbox"/>
Weight (Kg)	127	=	
<b>Mechanical</b>			
Drain Fixture Units (default)	0.000000	=	
Hydronic Supply Flow (default)	0.00 L/s	=	
Hydronic Return Flow (default)	0.00 L/s	=	
<b>Mechanical - Flow</b>			
Sound pressure - Cooling (dB)	49.0	=	
Sound pressure - Heating (dB)	52.0	=	
Airflow (m3/h)	5660	=	
<b>Mechanical - Loads</b>			
Rated efficiency - EER / COP	4.28 / 4.83	=	
Part load	30-100%	=	
Capacities - Cooling (kW)	12.1	=	
Capacities - Heating (kW)	12.5	=	
<b>Visibility</b>			
Service Area (default)	<input checked="" type="checkbox"/>	=	
Front Clearance (mm) (default)	1000.0	=	<input type="checkbox"/>
Side Clearance (mm) (default)	250.0	=	<input type="checkbox"/>
Back Clearance (mm) (default)	200.0	=	<input type="checkbox"/>
Top Clearance (mm) (default)	200.0	=	<input type="checkbox"/>

<b>Other</b>		
Compressor detail - Type	Hermetic twin rotary compressor	=
Compressor detail - Motor output (kW)	3.75	=
Operating range - Cooling (°C)	-5 - 46	=
Operating range - Heating (°C)	-20 - 15	=
Refrigerant information	R410A	=
<b>Identity Data</b>		
Article Description	Double fan Side Blow VRF	= "Double fan Side Blow VRF"
Article Type	MCY-MHP0404HS-E	=
Assembly Code		=
Base Family Version		=
CB-NL Class		=
Content Supplier URL	www.hcltech.com	=
Copyright	©Toshiba / HCL	= "@Toshiba / HCL"
Cost		=
Description	Double fan Side Blow VRF	= "Double fan Side Blow VRF"
EMCS	4	= "4"
ETIM Article Class	EC001213	= "EC001213"
Family Version		=
GLN		=
GTIN		=
Internal Art. No.		=
Keynote		=
MEPcontent Class	HEATPUMP	= "HEATPUMP"
Manufacturer	Toshiba	= "Toshiba"
Manufacturer Art. No.	MCY-MHP0404HS-E	=
Manufacturer URL	www.toshiba-aircon.co.uk	=
Model	MCY-MHP0404HS-E	=
Product Line	TCAC	=
Revit Version		=
Stabu Code		=
Type Comments		=
Type Image		=
URL	www.toshiba-aircon.co.uk	=
Watermarked By		=
Wholesaler		=
Wholesaler Art. No.		=



# MCY-MHP0404HT-E

Parameter	Value	Formula	Lock
<b>Materials and Finishes</b>			
Red	Colour RGB-250 000 000	=	
White	Colour RGB-255 255 255	=	
<b>Electrical</b>			
MOCP (A)	32.0	=	
MCA (A)	23.5	=	
Running current-Cooling (A)	13.9 / 13.3 / 12.8	=	
Power consumption-Cooling (Kw)	2.88	=	
Running current-Heating (A)	13.3 / 12.8 / 12.2	=	
Power consumption-Heating (Kw)	2.73	=	
Frequency (Hz)	50	=	
Voltage (V)	220 / 230 / 240	=	
Starting current (A)	Soft Start	=	
<b>Dimensions</b>			
Height (mm)	1235.0	=	<input type="checkbox"/>
Width (mm)	990.0	=	<input type="checkbox"/>
Depth (mm)	390.0	=	<input type="checkbox"/>
Hydronic Supply Diameter (mm)	12.7	=	<input type="checkbox"/>
Hydronic Return Diameter (mm)	19.1	=	<input type="checkbox"/>
Weight (Kg)	124	=	
<b>Mechanical</b>			
Drain Fixture Units (default)	0.000000	=	
Hydronic Supply Flow (default)	0.00 L/s	=	
Hydronic Return Flow (default)	0.00 L/s	=	
<b>Mechanical - Flow</b>			
Sound pressure - Cooling (dB)	50.0	=	
Sound pressure - Heating (dB)	52.0	=	
Airflow (m3/h)	6030	=	
<b>Mechanical - Loads</b>			
Rated efficiency - EER / COP	4.20 / 4.58	=	
Part load	30-100%	=	
Capacities - Cooling (kW)	12.1	=	
Capacities - Heating (kW)	12.5	=	
<b>Visibility</b>			
Service Area (default)	<input checked="" type="checkbox"/>	=	
Front Clearance (mm) (default)	1000.0	=	<input type="checkbox"/>
Side Clearance (mm) (default)	250.0	=	<input type="checkbox"/>
Back Clearance (mm) (default)	200.0	=	<input type="checkbox"/>
Top Clearance (mm) (default)	200.0	=	<input type="checkbox"/>

<b>Other</b>			
Compressor detail - Type	Hermetic twin rotary compressor	=	
Compressor detail - Motor output (kW)	3.75	=	
Operating range - Cooling (°C)	-5 - 43	=	
Operating range - Heating (°C)	-20 - 15	=	
Refrigerant information	R410A	=	
<b>Identity Data</b>			
Article Description	Double fan Side Blow VRF	=	"Double fan Side Blow VRF"
Article Type	MCY-MHP0404HT-E	=	
Assembly Code		=	
Base Family Version		=	
CB-NL Class		=	
Content Supplier URL	www.hcltech.com	=	
Copyright	©Toshiba / HCL	=	"©Toshiba / HCL"
Cost		=	
Description	Double fan Side Blow VRF	=	"Double fan Side Blow VRF"
EMCS	4	=	"4"
ETIM Article Class	EC001213	=	"EC001213"
Family Version		=	
GLN		=	
GTIN		=	
Internal Art. No.		=	
Keynote		=	
MEPcontent Class	HEATPUMP	=	"HEATPUMP"
Manufacturer	Toshiba	=	"Toshiba"
Manufacturer Art. No.	MCY-MHP0404HT-E	=	
Manufacturer URL	www.toshiba-aircon.co.uk	=	
Model	MCY-MHP0506HT-E	=	
Product Line	TCAC	=	
Revit Version		=	
Stabu Code		=	
Type Comments		=	
Type Image		=	
URL	www.toshiba-aircon.co.uk	=	
Watermarked By		=	
Wholesaler		=	
Wholesaler Art. No.		=	

# MCY-MHP0504HS8-E

Parameter	Value	Formula	Lock
<b>Materials and Finishes</b>			
Red	Colour RGB-250 000 000	=	
White	Colour RGB-255 255 255	=	
<b>Electrical</b>			
MOCP (A)	16.0	=	
MCA (A)	12.5	=	
Running current-Cooling (A)	5.7 / 5.4 / 5.2	=	
Power consumption-Cooling (Kw)	3.47	=	
Running current-Heating (A)	6.1 / 5.8 / 5.6	=	
Power consumption-Heating (Kw)	3.72	=	
Frequency (Hz)	3 Phase, 50	=	
Voltage (V)	380 / 400 / 415	=	
Starting current (A)	Soft Start	=	
<b>Dimensions</b>			
Height (mm)	1235.0	=	<input type="checkbox"/>
Width (mm)	990.0	=	<input type="checkbox"/>
Depth (mm)	390.0	=	<input type="checkbox"/>
Hydronic Supply Diameter (mm)	12.7	=	<input type="checkbox"/>
Hydronic Return Diameter (mm)	19.1	=	<input type="checkbox"/>
Weight (Kg)	125	=	
<b>Mechanical</b>			
Drain Fixture Units (default)	0.000000	=	
Hydronic Supply Flow (default)	0.00 L/s	=	
Hydronic Return Flow (default)	0.00 L/s	=	
<b>Mechanical - Flow</b>			
Sound pressure - Cooling (dB)	50.0	=	
Sound pressure - Heating (dB)	53.0	=	
Airflow (m3/h)	5820	=	
<b>Mechanical - Loads</b>			
Rated efficiency - EER / COP	4.03 / 4.30	=	
Part load	30-100%	=	
Capacities - Cooling (kW)	14.0	=	
Capacities - Heating (kW)	16.0	=	
<b>Visibility</b>			
Service Area (default)	<input type="checkbox"/>	=	
Front Clearance (mm) (default)	1000.0	=	<input type="checkbox"/>
Side Clearance (mm) (default)	250.0	=	<input type="checkbox"/>
Back Clearance (mm) (default)	200.0	=	<input type="checkbox"/>
Top Clearance (mm) (default)	200.0	=	<input type="checkbox"/>

<b>Other</b>		
Compressor detail - Type	Hermetic twin rotary compressor	=
Compressor detail - Motor output (kW)	3.75	=
Operating range - Cooling (°C)	-5 - 46	=
Operating range - Heating (°C)	-20 - 15	=
Refrigerant information	R410A	=
<b>Identity Data</b>		
Article Description	Double fan Side Blow VRF	= "Double fan Side Blow VRF"
Article Type	MCY-MHP0504HS8-E	=
Assembly Code		=
Base Family Version		=
CB-NL Class		=
Content Supplier URL	www.hcltech.com	=
Copyright	©Toshiba / HCL	= "©Toshiba / HCL"
Cost		=
Description	Double fan Side Blow VRF	= "Double fan Side Blow VRF"
EMCS	4	= "4"
ETIM Article Class	EC001213	= "EC001213"
Family Version		=
GLN		=
GTIN		=
Internal Art. No.		=
Keynote		=
MEPcontent Class	HEATPUMP	= "HEATPUMP"
Manufacturer	Toshiba	= "Toshiba"
Manufacturer Art. No.	MCY-MHP0504HS8-E	=
Manufacturer URL	www.toshiba-aircon.co.uk	=
Model	MCY-MHP0504HS8-E	=
Product Line	TCAC	=
Revit Version		=
Stabu Code		=
Type Comments		=
Type Image		=
URL	www.toshiba-aircon.co.uk	=
Watermarked By		=
Wholesaler		=
Wholesaler Art. No.		=



# MCY-MHP0504HS-E

Parameter	Value	Formula	Lock
<b>Materials and Finishes</b>			
Red	Colour RGB-250 000 000	=	
White	Colour RGB-255 255 255	=	
<b>Electrical</b>			
MOCP (A)	32.0	=	
MCA (A)	26.5	=	
Running current-Cooling (A)	16.6 / 15.9 / 15.2	=	
Power consumption-Cooling (Kw)	3.50	=	
Running current-Heating (A)	17.8 / 17.0 / 16.3	=	
Power consumption-Heating (Kw)	3.75	=	
Frequency (Hz)	50	=	
Voltage (V)	220 / 230 / 240	=	
Starting current (A)	Soft Start	=	
<b>Dimensions</b>			
Height (mm)	1235.0	=	<input type="checkbox"/>
Width (mm)	990.0	=	<input type="checkbox"/>
Depth (mm)	390.0	=	<input type="checkbox"/>
Hydronic Supply Diameter (mm)	12.7	=	<input type="checkbox"/>
Hydronic Return Diameter (mm)	19.1	=	<input type="checkbox"/>
Weight (Kg)	127	=	
<b>Mechanical</b>			
Drain Fixture Units (default)	0.000000	=	
Hydronic Supply Flow (default)	0.00 L/s	=	
Hydronic Return Flow (default)	0.00 L/s	=	
<b>Mechanical - Flow</b>			
Sound pressure - Cooling (dB)	50.0	=	
Sound pressure - Heating (dB)	53.0	=	
Airflow (m3/h)	5820	=	
<b>Mechanical - Loads</b>			
Rated efficiency - EER / COP	4.28 / 4.83	=	
Part load	30-100%	=	
Capacities - Cooling (kW)	14.0	=	
Capacities - Heating (kW)	16.0	=	
<b>Visibility</b>			
Service Area (default)	<input checked="" type="checkbox"/>	=	
Front Clearance (mm) (default)	1000.0	=	<input type="checkbox"/>
Side Clearance (mm) (default)	250.0	=	<input type="checkbox"/>
Back Clearance (mm) (default)	200.0	=	<input type="checkbox"/>
Top Clearance (mm) (default)	200.0	=	<input type="checkbox"/>

<b>Other</b>			
Compressor detail - Type	Hermetic twin rotary compressor	=	
Compressor detail - Motor output (kW)	3.75	=	
Operating range - Cooling (°C)	-5 - 46	=	
Operating range - Heating (°C)	-20 - 15	=	
Refrigerant information	R410A	=	
<b>Identity Data</b>			
Article Description	Double fan Side Blow VRF	=	"Double fan Side Blow VRF"
Article Type	MCY-MHP0504HS-E	=	
Assembly Code		=	
Base Family Version		=	
CB-NL Class		=	
Content Supplier URL	www.hcltech.com	=	
Copyright	©Toshiba / HCL	=	"©Toshiba / HCL"
Cost		=	
Description	Double fan Side Blow VRF	=	"Double fan Side Blow VRF"
EMCS	4	=	"4"
ETIM Article Class	EC001213	=	"EC001213"
Family Version		=	
GLN		=	
GTIN		=	
Internal Art. No.		=	
Keynote		=	
MEPcontent Class	HEATPUMP	=	"HEATPUMP"
Manufacturer	Toshiba	=	"Toshiba"
Manufacturer Art. No.	MCY-MHP0504HS-E	=	
Manufacturer URL	www.toshiba-aircon.co.uk	=	
Model	MCY-MHP0504HS-E	=	
Product Line	TCAC	=	
Revit Version		=	
Stabu Code		=	
Type Comments		=	
Type Image		=	
URL	www.toshiba-aircon.co.uk	=	
Watermarked By		=	
Wholesaler		=	
Wholesaler Art. No.		=	

# MCY-MHP0504HT-E

Parameter	Value	Formula	Lock
<b>Family Types</b>			
Type name:	MCY-MHP0504HT-E		
Search parameters			
<b>Materials and Finishes</b>			
Red	Colour RGB-250 000 000	=	
White	Colour RGB-255 255 255	=	
<b>Electrical</b>			
MOCP (A)	32.0	=	
MCA (A)	26.5	=	
Running current-Cooling (A)	16.7 / 16.0 / 15.4	=	
Power consumption-Cooling (Kw)	3.50	=	
Running current-Heating (A)	18.0 / 17.3 / 16.5	=	
Power consumption-Heating (Kw)	3.81	=	
Frequency (Hz)	50	=	
Voltage (V)	220 / 230 / 240	=	
Starting current (A)	Soft Start	=	
<b>Dimensions</b>			
Height (mm)	1235.0	=	<input type="checkbox"/>
Width (mm)	990.0	=	<input type="checkbox"/>
Depth (mm)	390.0	=	<input type="checkbox"/>
Hydronic Supply Diameter (mm)	12.7	=	<input type="checkbox"/>
Hydronic Return Diameter (mm)	19.1	=	<input type="checkbox"/>
Weight (Kg)	124	=	
<b>Mechanical</b>			
Drain Fixture Units (default)	0.000000	=	
Hydronic Supply Flow (default)	0.00 L/s	=	
Hydronic Return Flow (default)	0.00 L/s	=	
<b>Mechanical - Flow</b>			
Sound pressure - Cooling (dB)	51.0	=	
Sound pressure - Heating (dB)	54.0	=	
Airflow (m3/h)	6210	=	
<b>Mechanical - Loads</b>			
Rated efficiency - EER / COP	4.00 / 4.20	=	
Part load	30-100%	=	
Capacities - Cooling (kW)	14.0	=	
Capacities - Heating (kW)	16.0	=	
<b>Visibility</b>			
Service Area (default)	<input checked="" type="checkbox"/>	=	
Front Clearance (mm) (default)	1000.0	=	<input type="checkbox"/>
Side Clearance (mm) (default)	250.0	=	<input type="checkbox"/>
Back Clearance (mm) (default)	200.0	=	<input type="checkbox"/>
Top Clearance (mm) (default)	200.0	=	<input type="checkbox"/>

<b>Other</b>		
Compressor detail - Type	Hermetic twin rotary compressor	=
Compressor detail - Motor output (kW)	3.75	=
Operating range - Cooling (°C)	-5 - 43	=
Operating range - Heating (°C)	-20 - 15	=
Refrigerant information	R410A	=
<b>Identity Data</b>		
Article Description	Double fan Side Blow VRF	"Double fan Side Blow VRF"
Article Type	MCY-MHP0504HT-E	=
Assembly Code		=
Base Family Version		=
CB-NL Class		=
Content Supplier URL	www.hcltech.com	=
Copyright	©Toshiba / HCL	"©Toshiba / HCL"
Cost		=
Description	Double fan Side Blow VRF	"Double fan Side Blow VRF"
EMCS	4	"4"
ETIM Article Class	EC001213	"EC001213"
Family Version		=
GLN		=
GTIN		=
Internal Art. No.		=
Keynote		=
MEPcontent Class	HEATPUMP	"HEATPUMP"
Manufacturer	Toshiba	"Toshiba"
Manufacturer Art. No.	MCY-MHP0504HT-E	=
Manufacturer URL	www.toshiba-aircon.co.uk	=
Model	MCY-MHP0504HT-E	=
Product Line	TCAC	=
Revit Version		=
Stabu Code		=
Type Comments		=
Type Image		=
URL	www.toshiba-aircon.co.uk	=
Watermarked By		=
Wholesaler		=
Wholesaler Art. No.		=



# MCY-MHP0604HS8-E

Parameter	Value	Formula	Lock
<b>Materials and Finishes</b>			
Red	Colour RGB-250 000 000	=	
White	Colour RGB-255 255 255	=	
<b>Electrical</b>			
MOCP (A)	16.0	=	
MCA (A)	12.5	=	
Running current-Cooling (A)	7.0 / 6.7 / 6.4	=	
Power consumption-Cooling (Kw)	4.25	=	
Running current-Heating (A)	7.0 / 6.6 / 6.4	=	
Power consumption-Heating (Kw)	4.27	=	
Frequency (Hz)	3 Phase, 50	=	
Voltage (V)	380 / 400 / 415	=	
Starting current (A)	Soft Start	=	
<b>Dimensions</b>			
Height (mm)	1235.0	=	<input type="checkbox"/>
Width (mm)	990.0	=	<input type="checkbox"/>
Depth (mm)	390.0	=	<input type="checkbox"/>
Hydronic Supply Diameter (mm)	12.7	=	<input type="checkbox"/>
Hydronic Return Diameter (mm)	19.1	=	<input type="checkbox"/>
Weight (Kg)	125	=	
<b>Mechanical</b>			
Drain Fixture Units (default)	0.000000	=	
Hydronic Supply Flow (default)	0.00 L/s	=	
Hydronic Return Flow (default)	0.00 L/s	=	
<b>Mechanical - Flow</b>			
Sound pressure - Cooling (dB)	51.0	=	
Sound pressure - Heating (dB)	54.0	=	
Airflow (m3/h)	6050	=	
<b>Mechanical - Loads</b>			
Rated efficiency - EER / COP	3.65 / 4.22	=	
Part load	30-100%	=	
Capacities - Cooling (kW)	15.5	=	
Capacities - Heating (kW)	18.0	=	
<b>Visibility</b>			
Service Area (default)	<input checked="" type="checkbox"/>	=	
Front Clearance (mm) (default)	1000.0	=	<input type="checkbox"/>
Side Clearance (mm) (default)	250.0	=	<input type="checkbox"/>
Back Clearance (mm) (default)	200.0	=	<input type="checkbox"/>
Top Clearance (mm) (default)	200.0	=	<input type="checkbox"/>

<b>Other</b>			
Compressor detail - Type	Hermetic twin rotary compressor	=	
Compressor detail - Motor output (kW)	3.75	=	
Operating range - Cooling (°C)	-5 - 46	=	
Operating range - Heating (°C)	-20 - 15	=	
Refrigerant information	R410A	=	
<b>Identity Data</b>			
Article Description	Double fan Side Blow VRF	=	"Double fan Side Blow VRF"
Article Type	MCY-MHP0604HS8-E	=	
Assembly Code		=	
Base Family Version		=	
CB-NL Class		=	
Content Supplier URL	www.hcltech.com	=	
Copyright	©Toshiba / HCL	=	"©Toshiba / HCL"
Cost		=	
Description	Double fan Side Blow VRF	=	"Double fan Side Blow VRF"
EMCS	4	=	"4"
ETIM Article Class	EC001213	=	"EC001213"
Family Version		=	
GLN		=	
GTIN		=	
Internal Art. No.		=	
Keynote		=	
MEPcontent Class	HEATPUMP	=	"HEATPUMP"
Manufacturer	Toshiba	=	"Toshiba"
Manufacturer Art. No.	MCY-MHP0604HS8-E	=	
Manufacturer URL	www.toshiba-aircon.co.uk	=	
Model	MCY-MHP0604HS8-E	=	
Product Line	TCAC	=	
Revit Version		=	
Stabu Code		=	
Type Comments		=	
Type Image		=	
URL	www.toshiba-aircon.co.uk	=	
Watermarked By		=	
Wholesaler		=	
Wholesaler Art. No.		=	

# MCY-MHP0604HS-E

Parameter	Value	Formula	Lock
<b>Materials and Finishes</b>			
Red	Colour RGB-250 000 000	=	
White	Colour RGB-255 255 255	=	
<b>Electrical</b>			
MOCP (A)	32.0	=	
MCA (A)	28.0	=	
Running current-Cooling (A)	20.1 / 19.2 / 18.4	=	
Power consumption-Cooling (Kw)	4.29	=	
Running current-Heating (A)	20.2 / 19.3 / 18.5	=	
Power consumption-Heating (Kw)	4.31	=	
Frequency (Hz)	50	=	
Voltage (V)	220 / 230 / 240	=	
Starting current (A)	Soft Start	=	
<b>Dimensions</b>			
Height (mm)	1235.0	=	<input type="checkbox"/>
Width (mm)	990.0	=	<input type="checkbox"/>
Depth (mm)	390.0	=	<input type="checkbox"/>
Hydronic Supply Diameter (mm)	12.7	=	<input type="checkbox"/>
Hydronic Return Diameter (mm)	19.1	=	<input type="checkbox"/>
Weight (Kg)	127	=	
<b>Mechanical</b>			
Drain Fixture Units (default)	0.000000	=	
Hydronic Supply Flow (default)	0.00 L/s	=	
Hydronic Return Flow (default)	0.00 L/s	=	
<b>Mechanical - Flow</b>			
Sound pressure - Cooling (dB)	51.0	=	
Sound pressure - Heating (dB)	54.0	=	
Airflow (m3/h)	6050	=	
<b>Mechanical - Loads</b>			
Rated efficiency - EER / COP	4.28 / 4.83	=	
Part load	30-100%	=	
Capacities - Cooling (kW)	15.5	=	
Capacities - Heating (kW)	18.0	=	
<b>Visibility</b>			
Service Area (default)	<input checked="" type="checkbox"/>	=	
Front Clearance (mm) (default)	1000.0	=	<input type="checkbox"/>
Side Clearance (mm) (default)	250.0	=	<input type="checkbox"/>
Back Clearance (mm) (default)	200.0	=	<input type="checkbox"/>
Top Clearance (mm) (default)	200.0	=	<input type="checkbox"/>

<b>Other</b>		
Compressor detail - Type	Hermetic twin rotary compressor	=
Compressor detail - Motor output (kW)	3.75	=
Operating range - Cooling (°C)	-5 - 46	=
Operating range - Heating (°C)	-20 - 15	=
Refrigerant information	R410A	=
<b>Identity Data</b>		
Article Description	Double fan Side Blow VRF	= "Double fan Side Blow VRF"
Article Type	MCY-MHP0604HS-E	=
Assembly Code		=
Base Family Version		=
CB-NL Class		=
Content Supplier URL	www.hcltech.com	=
Copyright	©Toshiba / HCL	= "©Toshiba / HCL"
Cost		=
Description	Double fan Side Blow VRF	= "Double fan Side Blow VRF"
EMCS	4	= "4"
ETIM Article Class	EC001213	= "EC001213"
Family Version		=
GLN		=
GTIN		=
Internal Art. No.		=
Keynote		=
MEP content Class	HEATPUMP	= "HEATPUMP"
Manufacturer	Toshiba	= "Toshiba"
Manufacturer Art. No.	MCY-MHP0604HS-E	=
Manufacturer URL	www.toshiba-aircon.co.uk	=
Model	MCY-MHP0604HS-E	=
Product Line	TCAC	=
Revit Version		=
Stabu Code		=
Type Comments		=
Type Image		=
URL	www.toshiba-aircon.co.uk	=
Watermarked By		=
Wholesaler		=
Wholesaler Art. No.		=



# MCY-MHP0604HT-E

Family Types			
Type name:	MCY-MHP0604HT-E		
Search parameters			
Parameter	Value	Formula	Lock
<b>Materials and Finishes</b>			
Red	Colour RGB-250 000 000	=	
White	Colour RGB-255 255 255	=	
<b>Electrical</b>			
MOCP (A)	32.0	=	
MCA (A)	28.0	=	
Running current-Cooling (A)	20.6 / 19.7 / 18.9	=	
Power consumption-Cooling (Kw)	4.35	=	
Running current-Heating (A)	21.3 / 20.4 / 19.5	=	
Power consumption-Heating (Kw)	4.50	=	
Frequency (Hz)	50	=	
Voltage (V)	220 / 230 / 240	=	
Starting current (A)	Soft Start	=	
<b>Dimensions</b>			
Height (mm)	1235.0	=	<input type="checkbox"/>
Width (mm)	990.0	=	<input type="checkbox"/>
Depth (mm)	390.0	=	<input type="checkbox"/>
Hydronic Supply Diameter (mm)	12.7	=	<input type="checkbox"/>
Hydronic Return Diameter (mm)	19.1	=	<input type="checkbox"/>
Weight (Kg)	124	=	
<b>Mechanical</b>			
Drain Fixture Units (default)	0.000000	=	
Hydronic Supply Flow (default)	0.00 L/s	=	
Hydronic Return Flow (default)	0.00 L/s	=	
<b>Mechanical - Flow</b>			
Sound pressure - Cooling (dB)	52.0	=	
Sound pressure - Heating (dB)	55.0	=	
Airflow (m3/h)	6410	=	
<b>Mechanical - Loads</b>			
Rated efficiency - EER / COP	3.56 / 4.00	=	
Part load	30-100%	=	
Capacities - Cooling (kW)	15.5	=	
Capacities - Heating (kW)	18.0	=	
<b>Visibility</b>			
Service Area (default)	<input type="checkbox"/>	=	
Front Clearance (mm) (default)	1000.0	=	<input type="checkbox"/>
Side Clearance (mm) (default)	250.0	=	<input type="checkbox"/>
Back Clearance (mm) (default)	200.0	=	<input type="checkbox"/>
Top Clearance (mm) (default)	200.0	=	<input type="checkbox"/>

Other		
Compressor detail - Type	Hermetic twin rotary compressor	=
Compressor detail - Motor output (kW)	3.75	=
Operating range - Cooling (°C)	-5 - 43	=
Operating range - Heating (°C)	-20 - 15	=
Refrigerant information	R410A	=
Identity Data		
Article Description	Double fan Side Blow VRF	= "Double fan Side Blow VRF"
Article Type	MCY-MHP0604HT-E	=
Assembly Code		=
Base Family Version		=
CB-NL Class		=
Content Supplier URL	www.hcltech.com	=
Copyright	©Toshiba / HCL	= "©Toshiba / HCL"
Cost		=
Description	Double fan Side Blow VRF	= "Double fan Side Blow VRF"
EMCS	4	= "4"
ETIM Article Class	EC001213	= "EC001213"
Family Version		=
GLN		=
GTIN		=
Internal Art. No.		=
Keynote		=
MEPcontent Class	HEATPUMP	= "HEATPUMP"
Manufacturer	Toshiba	= "Toshiba"
Manufacturer Art. No.	MCY-MHP0604HT-E	=
Manufacturer URL	www.toshiba-aircon.co.uk	=
Model	MCY-MHP0604HT-E	=
Product Line	TCAC	=
Revit Version		=
Stabu Code		=
Type Comments		=
Type Image		=
URL	www.toshiba-aircon.co.uk	=
Watermarked By		=
Wholesaler		=
Wholesaler Art. No.		=



**Thank You**