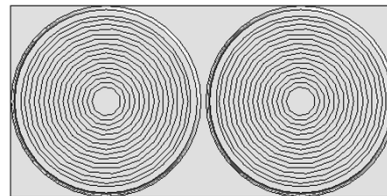
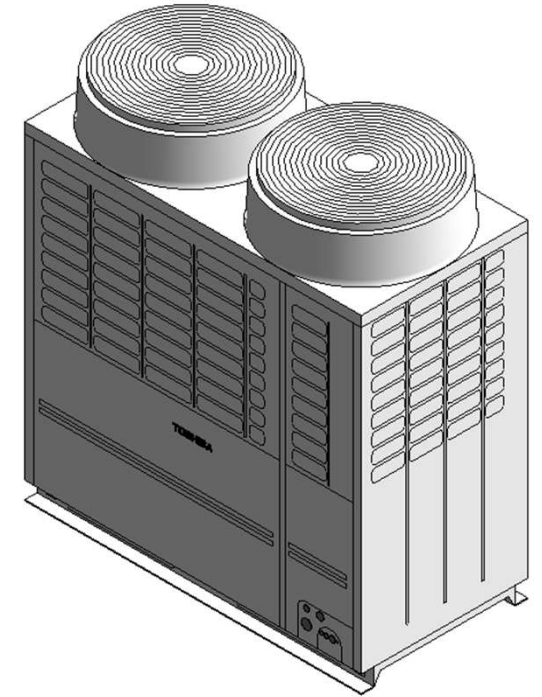
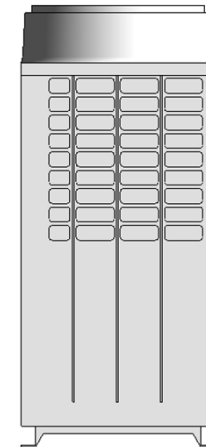
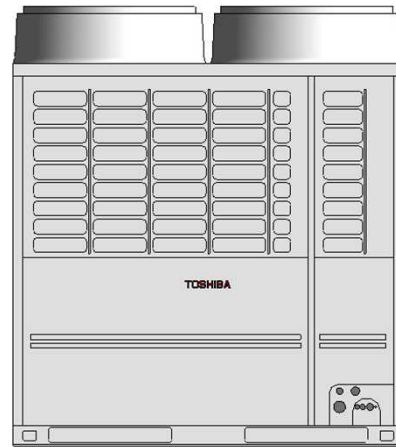
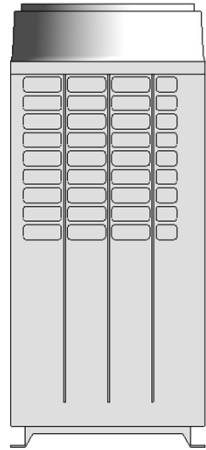
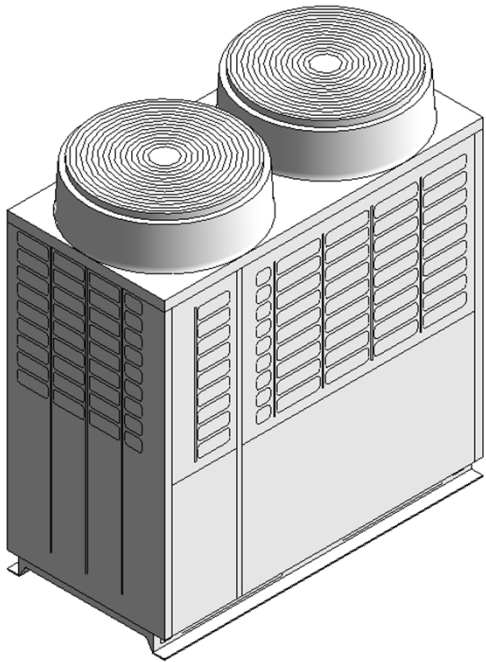


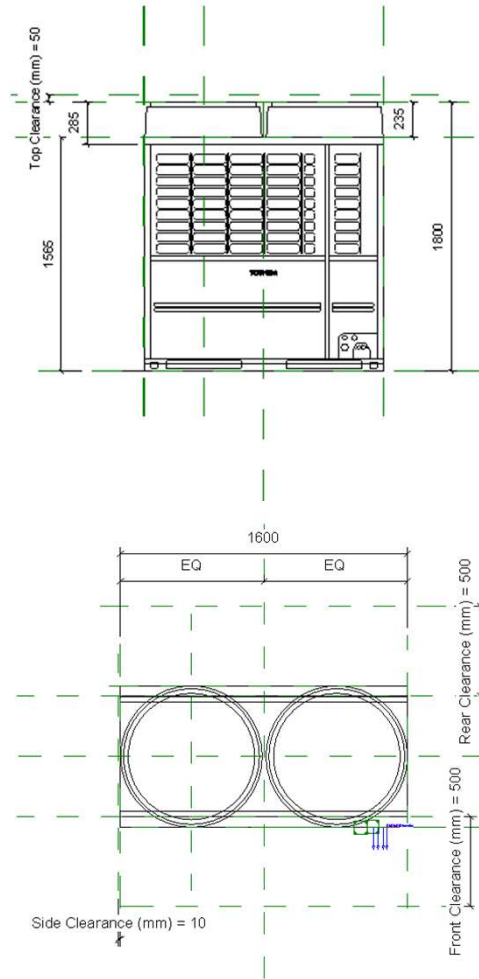
# 46\_VRF\_MMY6FT8P\_16-20

19-02-2019

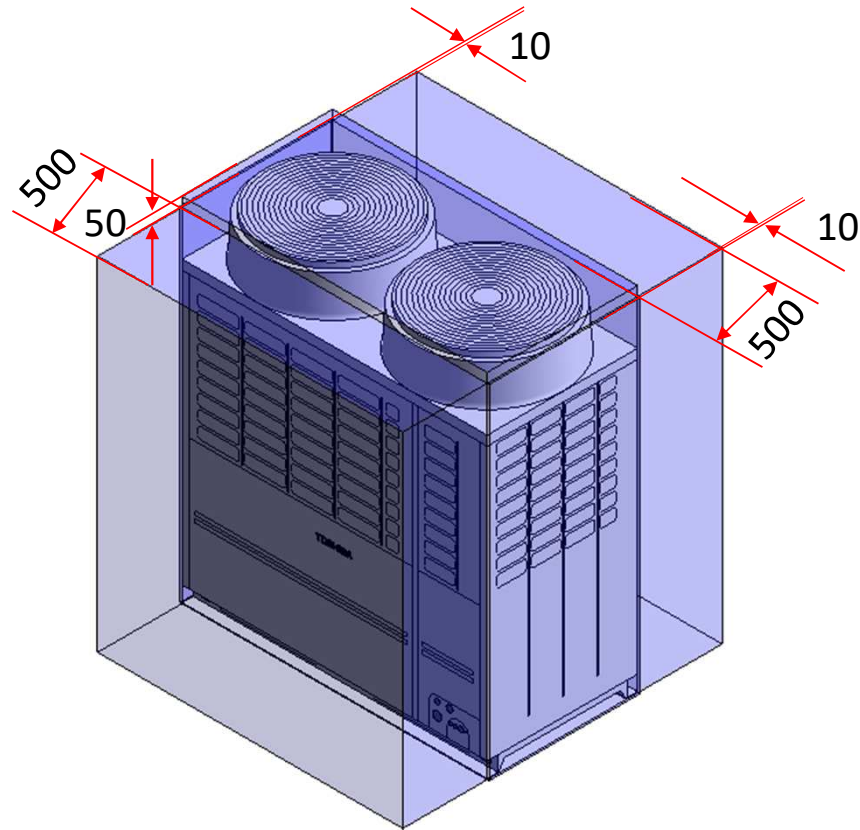
# VRF\_MMY6FT8P\_16-20



# VRF\_MMY6FT8P\_16-20



# VRF\_MMY6FT8P\_16-20 Service Area

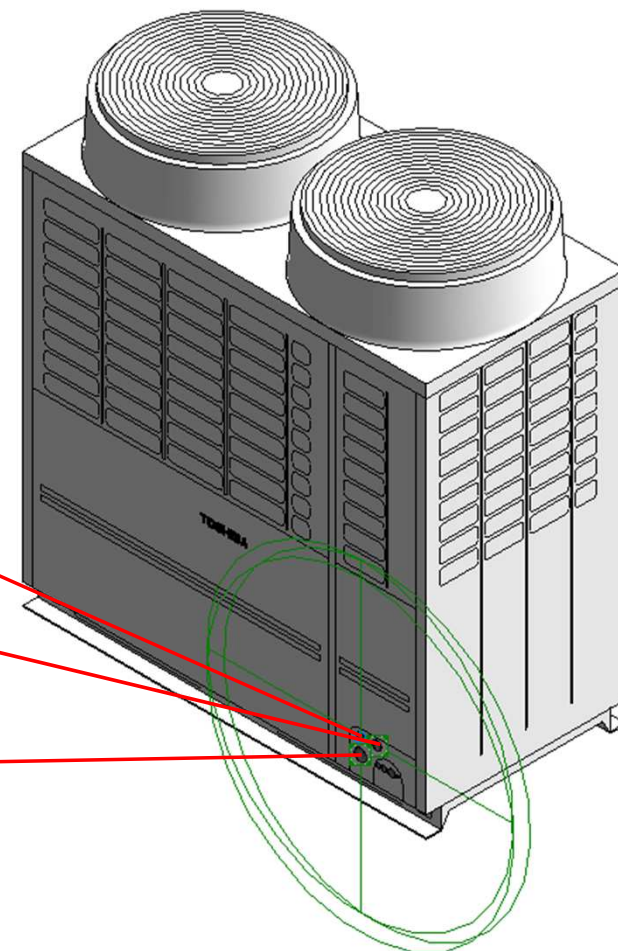


# Electrical Connector

| Properties            |                                    |
|-----------------------|------------------------------------|
| <b>R</b>              |                                    |
| Connector Element (1) | <input type="checkbox"/> Edit Type |
| Electrical - Loads    |                                    |
| System Type           | Controls                           |
| Identity Data         |                                    |
| Utility               | <input type="checkbox"/>           |
| Connector Description | CONTROL CABLE-1                    |

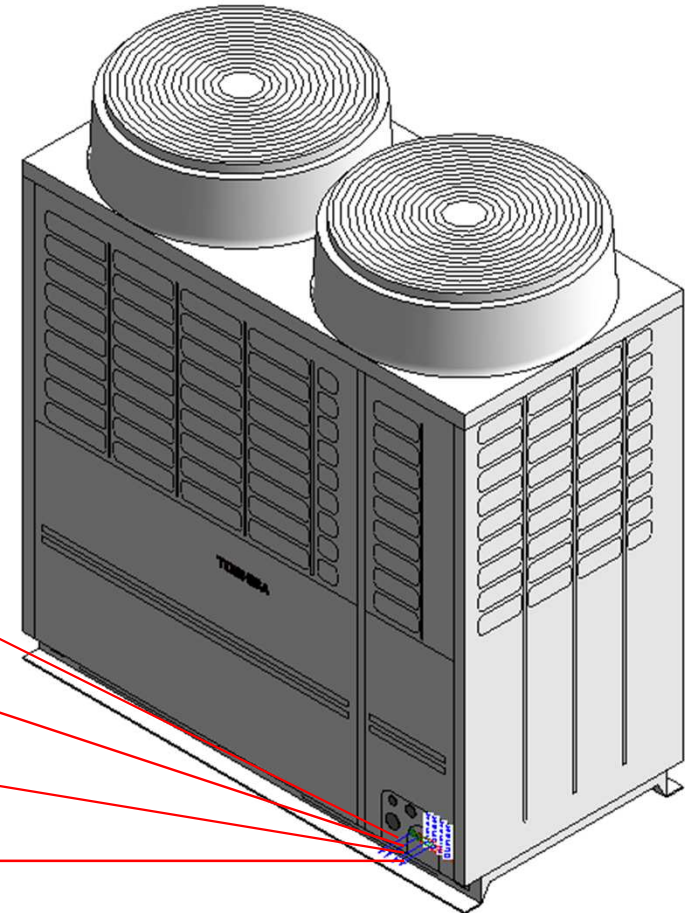
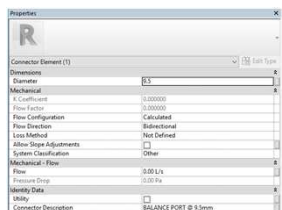
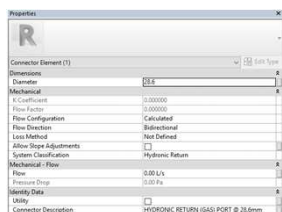
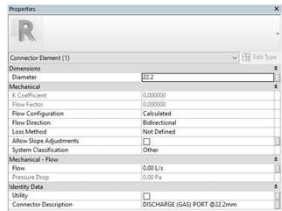
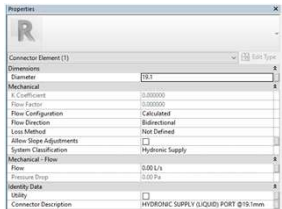
| Properties                    |                                    |
|-------------------------------|------------------------------------|
| <b>R</b>                      |                                    |
| Connector Element (1)         | <input type="checkbox"/> Edit Type |
| Electrical - Loads            |                                    |
| System Type                   | Power - Unbalanced                 |
| Number of Poles               | 1                                  |
| Power Factor State            | Lagging                            |
| Load Classification           | Other                              |
| Load Sub-Classification Motor | <input type="checkbox"/>           |
| Voltage                       | 250.00 V                           |
| Apparent Load Phase 1         | 0.00 VA                            |
| Apparent Load Phase 2         | 0.00 VA                            |
| Apparent Load Phase 3         | 0.00 VA                            |
| Power Factor                  | 1.000000                           |
| Identity Data                 |                                    |
| Utility                       | <input type="checkbox"/>           |
| Connector Description         | POWER CABLE                        |

| Properties                    |                                    |
|-------------------------------|------------------------------------|
| <b>R</b>                      |                                    |
| Connector Element (1)         | <input type="checkbox"/> Edit Type |
| Electrical - Loads            |                                    |
| System Type                   | Power - Unbalanced                 |
| Number of Poles               | 1                                  |
| Power Factor State            | Lagging                            |
| Load Classification           | Other                              |
| Load Sub-Classification Motor | <input type="checkbox"/>           |
| Voltage                       | 0.00 V                             |
| Apparent Load Phase 1         | 0.00 VA                            |
| Apparent Load Phase 2         | 0.00 VA                            |
| Apparent Load Phase 3         | 0.00 VA                            |
| Power Factor                  | 1.000000                           |
| Identity Data                 |                                    |
| Utility                       | <input type="checkbox"/>           |
| Connector Description         | CONTROL CABLE-2                    |





# Pipe Connectors



# MMY-MAP1606FT8P-E

## Family Types

| Type name:                       | MMY-MAP1606FT8P-E        |
|----------------------------------|--------------------------|
| Search parameters                |                          |
| Parameter                        | Value                    |
| <b>Materials and Finishes</b>    |                          |
| Red                              | Colour RGB-250 000 000   |
| White                            | Colour RGB-255 255 255   |
| <b>Electrical</b>                |                          |
| MOCP (A)                         | 50.0                     |
| MCA (A)                          | 40.6                     |
| Running current - Cooling (A)    | 21.81                    |
| Power consumption - Cooling (Kw) | 13.9                     |
| Running current - Heating (A)    | 19.14                    |
| Power consumption - Heating (Kw) | 12.20                    |
| Frequency (Hz)                   | 3Phase , 50              |
| Voltage (V)                      | 380 - 415                |
| Starting current                 | Soft Start               |
| <b>Dimensions</b>                |                          |
| Height (mm)                      | 1830.0                   |
| Width (mm)                       | 1600.0                   |
| Depth (mm)                       | 790.0                    |
| Hydronic Return Diameter (mm)    | 28.6                     |
| Hydronic Supply Diameter (mm)    | 19.1                     |
| Weight (Kg)                      | 377.0                    |
| <b>Mechanical</b>                |                          |
| Drain Fixture Units (default)    | 0.000000                 |
| Hydronic Return Flow (default)   | 0.00 L/s                 |
| Hydronic Supply Flow (default)   | 0.00 L/s                 |
| <b>Mechanical - Flow</b>         |                          |
| Sound pressure - Cooling (dB)    | 61.0                     |
| Sound pressure - Heating (dB)    | 62.0                     |
| Airflow (m3/h)                   | 17300                    |
| <b>Mechanical - Loads</b>        |                          |
| Rated efficiency - EER / COP     | 3.23 / 3.68              |
| Part load                        | 30-100%                  |
| Capacities-Cooling (kW)          | 45.0                     |
| Capacities-Heating (kW)          | 45.0                     |
| <b>Visibility</b>                |                          |
| Service Area (default)           | <input type="checkbox"/> |
| Front Clearance (mm) (default)   | 500.0                    |
| Rear Clearance (mm) (default)    | 500.0                    |
| Side Clearance (mm) (default)    | 10.0                     |
| Top Clearance (mm) (default)     | 50.0                     |

|  |                                 |
|--|---------------------------------|
| <b>Other</b>                           |                                 |
| Compressor detail - Type               | Hermetic twin rotary compressor |
| Compressor detail - Motor output ( kW) | 5.8 x 2                         |
| Operating range - Cooling (°C)         | -10 - 46                        |
| Operating range - Heating (°C)         | -25 - 15.5                      |
| Refrigerant information                | R410A                           |
| <b>Identity Data</b>                   |                                 |
| Article Description                    | SHRMe VRF                       |
| Article Type                           | MMY-MAP1606FT8P-E               |
| Assembly Code                          |                                 |
| Base Family Version                    |                                 |
| CB-NL Class                            |                                 |
| Content Supplier URL                   | www.hcltech.com                 |
| Copyright                              | ©Toshiba / HCL                  |
| Cost                                   |                                 |
| Description                            | SHRMe VRF                       |
| EMCS                                   | 4                               |
| ETIM Article Class                     | EC001213                        |
| <b>Family Version</b>                  |                                 |
| GLN                                    |                                 |
| GTIN                                   |                                 |
| Internal Art. No.                      |                                 |
| Keynote                                |                                 |
| MEPcontent Class                       | HEATPUMP                        |
| Manufacturer                           | Toshiba                         |
| Manufacturer Art. No.                  | MMY-MAP1606FT8P-E               |
| Manufacturer URL                       | www.toshiba-aircon.co.uk        |
| Model                                  | MMY-MAP1606FT8P-E               |
| Product Line                           | HEATPUMP                        |
| Revit Version                          |                                 |
| Stabu Code                             |                                 |
| Type Comments                          |                                 |
| URL                                    | www.toshiba-aircon.co.uk        |
| Type Image                             |                                 |
| Watermarked By                         |                                 |
| Wholesaler                             |                                 |
| Wholesaler Art. No.                    |                                 |

# MMY-MAP1806FT8P-E

## Family Types

| Type name:                       | MMY-MAP1806FT8P-E        |  |
|----------------------------------|--------------------------|--|
| Search parameters                |                          |  |
| Parameter                        | Value                    |  |
| <b>Materials and Finishes</b>    |                          |  |
| Red                              | Colour RGB-250 000 000   |  |
| White                            | Colour RGB-255 255 255   |  |
| <b>Electrical</b>                |                          |  |
| MOCP (A)                         | 50.0                     |  |
| MCA (A)                          | 44.9                     |  |
| Running current - Cooling (A)    | 25.1                     |  |
| Power consumption - Cooling (Kw) | 16.0                     |  |
| Running current - Heating (A)    | 21.49                    |  |
| Power consumption - Heating (Kw) | 13.7                     |  |
| Frequency (Hz)                   | 3Phase , 50              |  |
| Voltage (V)                      | 380 - 415                |  |
| Starting current                 | Soft Start               |  |
| <b>Dimensions</b>                |                          |  |
| Height (mm)                      | 1830.0                   |  |
| Width (mm)                       | 1600.0                   |  |
| Depth (mm)                       | 790.0                    |  |
| Hydronic Return Diameter (mm)    | 28.6                     |  |
| Hydronic Supply Diameter (mm)    | 19.1                     |  |
| Weight (Kg)                      | 377.0                    |  |
| <b>Mechanical</b>                |                          |  |
| Drain Fixture Units (default)    | 0.000000                 |  |
| Hydronic Return Flow (default)   | 0.00 L/s                 |  |
| Hydronic Supply Flow (default)   | 0.00 L/s                 |  |
| <b>Mechanical - Flow</b>         |                          |  |
| Sound pressure - Cooling (dB)    | 61.0                     |  |
| Sound pressure - Heating (dB)    | 62.0                     |  |
| Airflow (m3/h)                   | 17300                    |  |
| <b>Mechanical - Loads</b>        |                          |  |
| Rated efficiency - EER / COP     | 3.15 / 3.67              |  |
| Part load                        | 30-100%                  |  |
| Capacities-Cooling (kW)          | 50.4                     |  |
| Capacities-Heating (kW)          | 50.4                     |  |
| <b>Visibility</b>                |                          |  |
| Service Area (default)           | <input type="checkbox"/> |  |
| Front Clearance (mm) (default)   | 500.0                    |  |
| Rear Clearance (mm) (default)    | 500.0                    |  |
| Side Clearance (mm) (default)    | 10.0                     |  |
| Top Clearance (mm) (default)     | 50.0                     |  |

|  |                                 |
|--|---------------------------------|
| <b>Other</b>                           |                                 |
| Compressor detail - Type               | Hermetic twin rotary compressor |
| Compressor detail - Motor output ( kW) | 6.5 x 2                         |
| Operating range - Cooling (°C)         | -10 - 46                        |
| Operating range - Heating (°C)         | -25 - 15.5                      |
| Refrigerant information                | R410A                           |
| <b>Identity Data</b>                   |                                 |
| Article Description                    | SHRMe VRF                       |
| Article Type                           | MMY-MAP1806FHT8P-E              |
| Assembly Code                          |                                 |
| Base Family Version                    |                                 |
| CB-NL Class                            |                                 |
| Content Supplier URL                   | www.hcltech.com                 |
| Copyright                              | ©Toshiba / HCL                  |
| Cost                                   |                                 |
| Description                            | SHRMe VRF                       |
| EMCS                                   | 4                               |
| ETIM Article Class                     | EC001213                        |
| Family Version                         |                                 |
| GLN                                    |                                 |
| GTIN                                   |                                 |
| Internal Art. No.                      |                                 |
| Keynote                                |                                 |
| MEPcontent Class                       | HEATPUMP                        |
| Manufacturer                           | Toshiba                         |
| Manufacturer Art. No.                  | MMY-MAP1806FHT8P-E              |
| Manufacturer URL                       | www.toshiba-aircon.co.uk        |
| Model                                  | MMY-MAP1806FHT8P-E              |
| Product Line                           | HEATPUMP                        |
| Revit Version                          |                                 |
| Stabu Code                             |                                 |
| Type Comments                          |                                 |
| URL                                    | www.toshiba-aircon.co.uk        |
| Type Image                             |                                 |
| Watermarked By                         |                                 |
| Wholesaler                             |                                 |
| Wholesaler Art. No.                    |                                 |



# MMY-MAP2006FT8P-E

## Family Types

| Type name: MMY-MAP2006FT8P-E     |                          |
|----------------------------------|--------------------------|
| Search parameters                |                          |
| Parameter                        | Value                    |
| <b>Materials and Finishes</b>    |                          |
| Red                              | Colour RGB-250 000 000   |
| White                            | Colour RGB-255 255 255   |
| <b>Electrical</b>                |                          |
| MOCP (A)                         | 63.0                     |
| MCA (A)                          | 49.3                     |
| Running current - Cooling (A)    | 29.18                    |
| Power consumption - Cooling (Kw) | 18.6                     |
| Running current - Heating (A)    | 24.68                    |
| Power consumption - Heating (Kw) | 15.90                    |
| Frequency (Hz)                   | 3Phase, 50               |
| Voltage (V)                      | 380 - 415                |
| Starting current                 | Soft Start               |
| <b>Dimensions</b>                |                          |
| Height (mm)                      | 1830.0                   |
| Width (mm)                       | 1600.0                   |
| Depth (mm)                       | 790.0                    |
| Hydronic Return Diameter (mm)    | 28.6                     |
| Hydronic Supply Diameter (mm)    | 19.1                     |
| Weight (Kg)                      | 377.0                    |
| <b>Mechanical</b>                |                          |
| Drain Fixture Units (default)    | 0.000000                 |
| Hydronic Return Flow (default)   | 0.00 L/s                 |
| Hydronic Supply Flow (default)   | 0.00 L/s                 |
| <b>Mechanical - Flow</b>         |                          |
| Sound pressure - Cooling (dB)    | 61.0                     |
| Sound pressure - Heating (dB)    | 62.0                     |
| Airflow (m3/h)                   | 17900                    |
| <b>Mechanical - Loads</b>        |                          |
| Rated efficiency - EER / COP     | 3.15 / 3.67              |
| Part load                        | 30-100%                  |
| Capacities-Cooling (kW)          | 56.0                     |
| Capacities-Heating (kW)          | 56.0                     |
| <b>Visibility</b>                |                          |
| Service Area (default)           | <input type="checkbox"/> |
| Front Clearance (mm) (default)   | 500.0                    |
| Rear Clearance (mm) (default)    | 500.0                    |
| Side Clearance (mm) (default)    | 10.0                     |
| Top Clearance (mm) (default)     | 50.0                     |

| <b>Other</b>                           |                                 |
|--|---------------------------------|
| Compressor detail - Type               | Hermetic twin rotary compressor |
| Compressor detail - Motor output ( kW) | 7.6 x 2                         |
| Operating range - Cooling (°C)         | -10 - 46                        |
| Operating range - Heating (°C)         | -25 - 15.5                      |
| Refrigerant information                | R410A                           |
| <b>Identity Data</b>                   |                                 |
| Article Description                    | SHRMe VRF                       |
| Article Type                           | MMY-MAP2006FT8P-E               |
| Assembly Code                          |                                 |
| Base Family Version                    |                                 |
| CB-NL Class                            |                                 |
| Content Supplier URL                   | www.hcltech.com                 |
| Copyright                              | ©Toshiba / HCL                  |
| Cost                                   |                                 |
| Description                            | SHRMe VRF                       |
| EMCS                                   | 4                               |
| ETIM Article Class                     | EC001213                        |
| Family Version                         |                                 |
| GLN                                    |                                 |
| GTIN                                   |                                 |
| Internal Art. No.                      |                                 |
| Keynote                                |                                 |
| MEPcontent Class                       | HEATPUMP                        |
| Manufacturer                           | Toshiba                         |
| Manufacturer Art. No.                  | MMY-MAP2006FT8P-E               |
| Manufacturer URL                       | www.toshiba-aircon.co.uk        |
| Model                                  | MMY-MAP2006FT8P-E               |
| Product Line                           | HEATPUMP                        |
| Revit Version                          |                                 |
| Stabu Code                             |                                 |
| Type Comments                          |                                 |
| URL                                    | www.toshiba-aircon.co.uk        |
| Type Image                             |                                 |
| Watermarked By                         |                                 |
| Wholesaler                             |                                 |
| Wholesaler Art. No.                    |                                 |



**Thank You**