

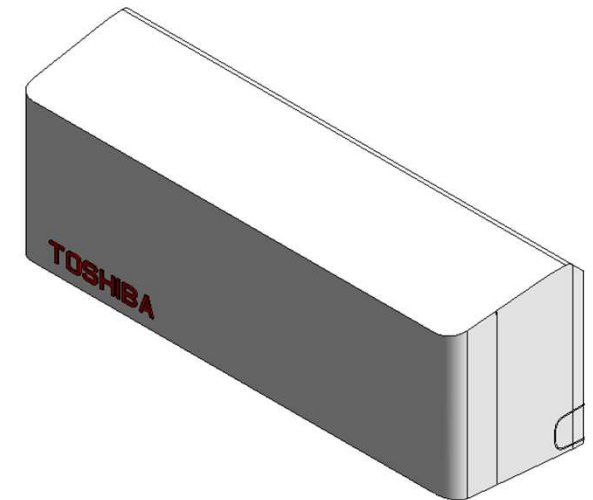
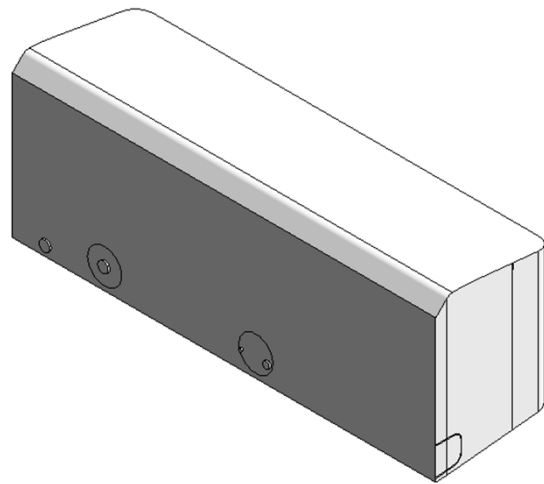
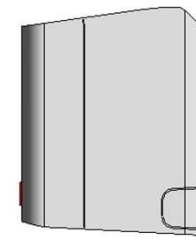
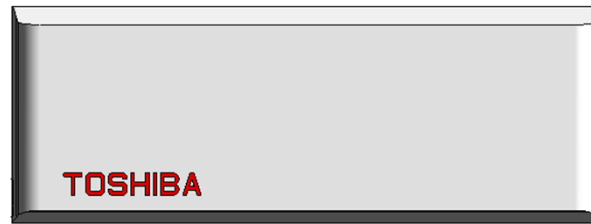
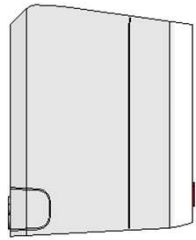
An abstract graphic on the left side of the slide, composed of numerous overlapping, semi-transparent blue rectangular and polygonal shapes. These shapes are arranged in a way that creates a sense of depth and perspective, appearing to recede towards a bright white light source at the center of the composition. The colors range from light sky blue to deep navy blue.

HCL

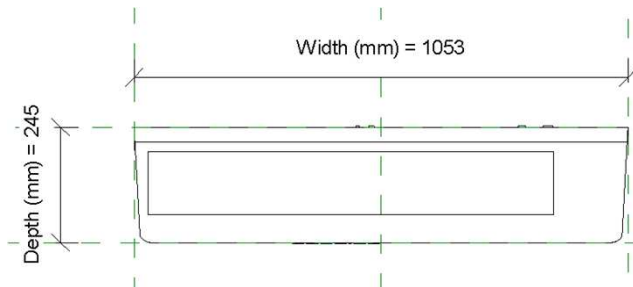
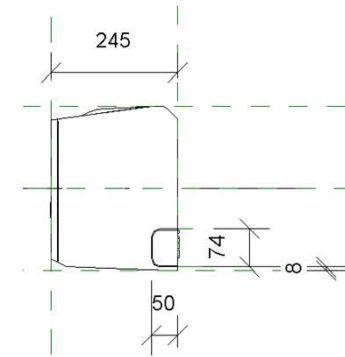
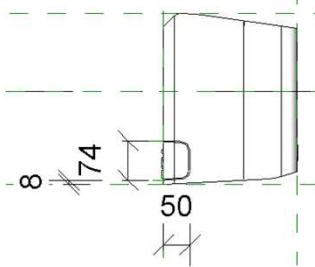
RAS_J2KVSG_18-24

20-02-2020

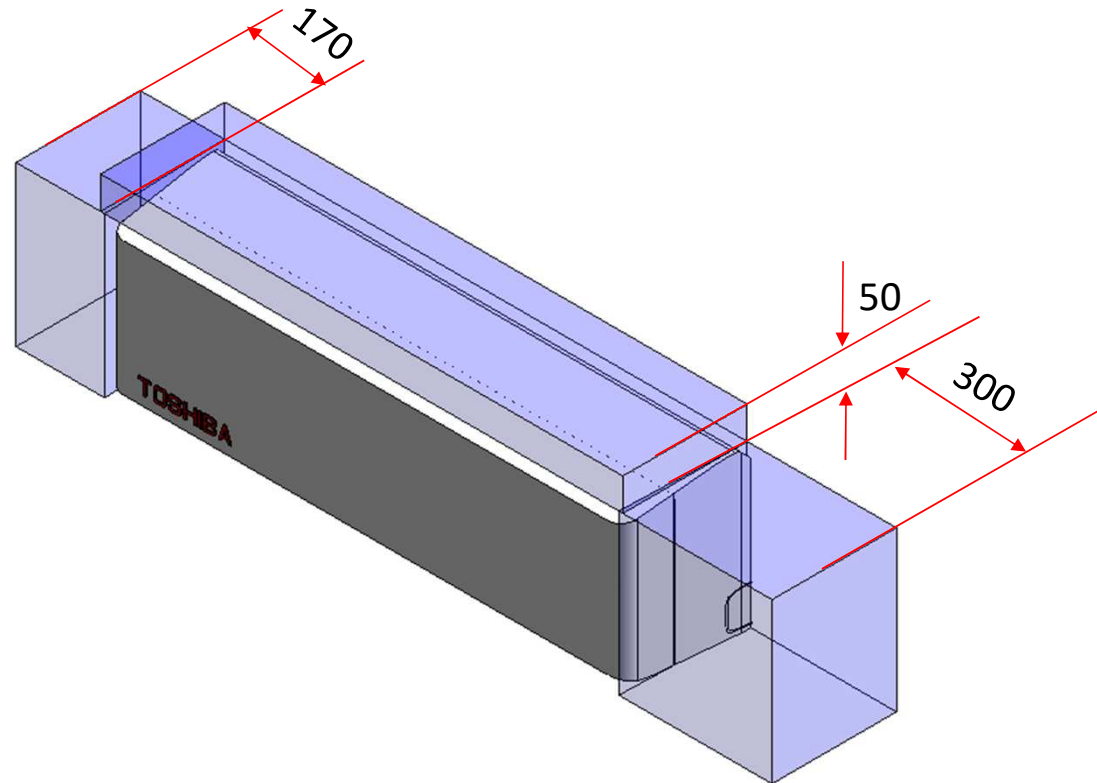
RAS_J2KVSG_18-24



RAS_J2KVSG_18-24

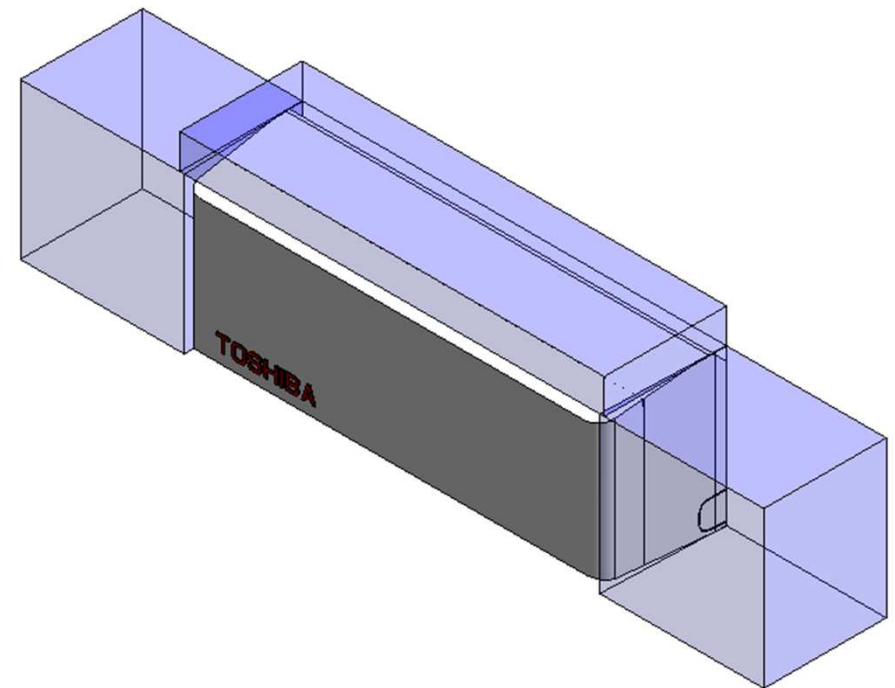


RAS_J2KVSG_18-24_Service Area



RAS_J2KVSG_18-24

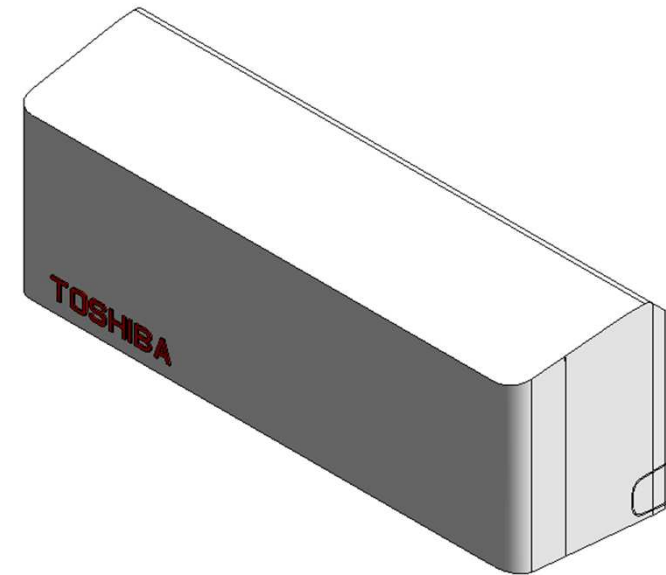
Visibility	
Service Area (default)	<input checked="" type="checkbox"/>
Top Clearance (mm) (default)	50.0
Left Side Clearance (mm) (default)	170.0
Right Side Clearance (mm) (default)	300.0



Service Clearance ON

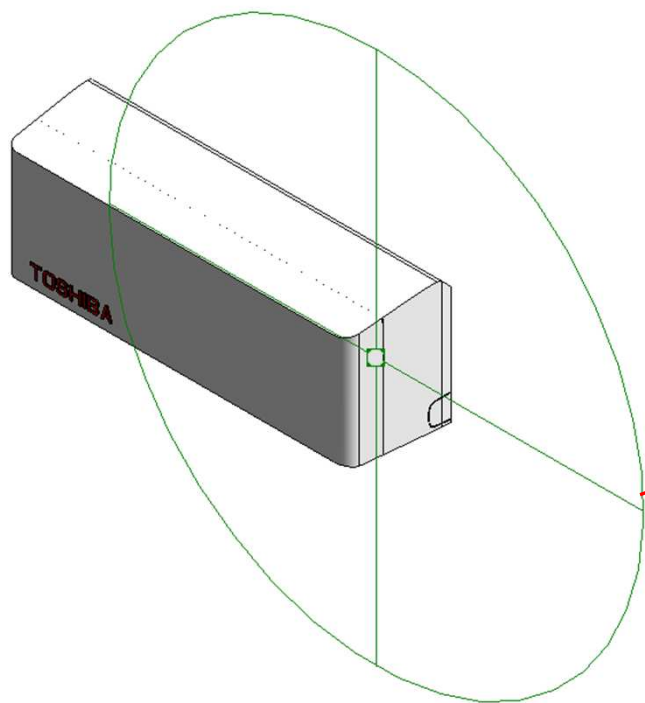
RAS_J2KVSG_18-24

Visibility	
Service Area (default)	<input type="checkbox"/>
Top Clearance (mm) (default)	50.0
Left Side Clearance (mm) (default)	170.0
Right Side Clearance (mm) (default)	300.0



Service Clearance OFF

Electrical Connector



Properties

R

Connector Element (1) Edit Type

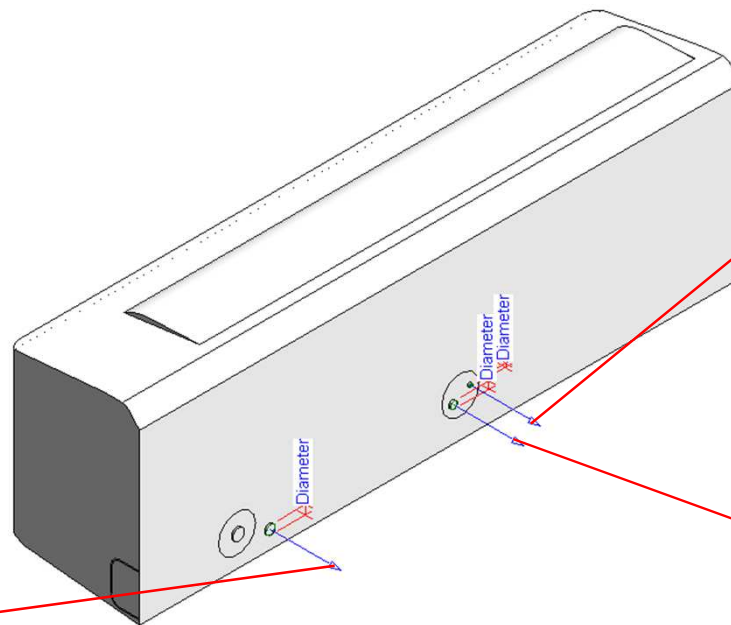
Electrical - Loads

System Type	Power - Unbalanced
Number of Poles	1
Power Factor State	Lagging
Load Classification	Other
Load Sub-Classification Motor	<input type="checkbox"/>
Voltage	0.00 V
Apparent Load Phase 1	0.00 VA
Apparent Load Phase 2	0.00 VA
Apparent Load Phase 3	0.00 VA
Power Factor	1.000000

Identity Data

Utility	<input type="checkbox"/>
Connector Description	ELECTRICAL CONNECTOR

Pipe Connectors



Properties	
R	
Connector Element (1) Edit Type	
Dimensions	
Diameter	16.0
Mechanical	
K Coefficient	0.000000
Flow Factor	0.000000
Flow Configuration	Calculated
Flow Direction	Out
Loss Method	Not Defined
Allow Slope Adjustments	<input type="checkbox"/>
System Classification	Vent
Mechanical - Flow	
Flow	0.00 L/s
Pressure Drop	0.00 Pa
Identity Data	
Utility	<input type="checkbox"/>
Connector Description	DRAIN PORT

Properties	
R	
Connector Element (1) Edit Type	
Dimensions	
Diameter	6.4
Mechanical	
K Coefficient	0.000000
Flow Factor	0.000000
Flow Configuration	Calculated
Flow Direction	In
Loss Method	Not Defined
Allow Slope Adjustments	<input type="checkbox"/>
System Classification	Hydronic Supply
Mechanical - Flow	
Flow	0.00 L/s
Pressure Drop	0.00 Pa
Identity Data	
Utility	<input type="checkbox"/>
Connector Description	Refrigerant Pipe Connecting Port-Liquid (dia 6.4 mm)

Properties	
R	
Connector Element (1) Edit Type	
Dimensions	
Diameter	12.7
Mechanical	
K Coefficient	0.000000
Flow Factor	0.000000
Flow Configuration	Calculated
Flow Direction	Out
Loss Method	Not Defined
Allow Slope Adjustments	<input type="checkbox"/>
System Classification	Hydronic Return
Mechanical - Flow	
Flow	0.00 L/s
Pressure Drop	0.00 Pa
Identity Data	
Utility	<input type="checkbox"/>
Connector Description	Refrigerant Pipe Connecting Port-Gas (dia 12.7 mm)

RAS-18J2KVSG-E

Parameter	Value	Formula
Materials and Finishes		
Red	Colour - RGB 250 000 000	=
White	Colour - RGB 255 255 255	=
Electrical		
MOCP (A)	15	=
MCA (A)	-	=
Running current-Cooling	0.30 - 0.28	=
Power consumption-Cooling	40	=
Running current-Heating	0.30 - 0.28	=
Power consumption-Heating	40	=
Frequency (Hz)	50Hz	=
Voltage (V)	220-240V	=
Starting current	7.55	=
Dimensions		
Height (mm)	320.0	=
Width (mm)	1053.0	=
Depth (mm)	245.0	=
Piping diameter(mm)- Gas	12.7	=
Piping diameter(mm)- Liquid	6.4	=
Drain pipe(mm)	16	=
Duct diameters	-	=
Mechanical - Flow		
Static pressure	-	=
Sound pressure dB(A) - Cooling/Heating - High	44 / 44	=
Sound pressure dB(A) - Cooling/Heating-Mid +	41 / 41	=
Sound pressure dB(A) - Cooling/Heating - Mid	37 / 37	=
Sound pressure dB(A) - Cooling/Heating - Low +	34 / 34	=
Sound pressure dB(A) - Cooling/Heating- Low	31 / 31	=
Airflow m3/h - Cooling/Heating	948 / 948	=
Mechanical - Loads		
Rated Capacity kW - Cooling/Heating	5.0 / 6.0	=
Rated Power Consumption kW- Cooling/Heating	1.42 / 1.59	=
Rated efficiency - EER / COP	3.52 / 3.77	=
Energy Analysis		
Energy class-Cooling/Heating	A++ / A++	=
Seasonal Efficiency SEER / SCOP	7.80 / 4.60	=
Pdesign-Cooling/Heating	-	=

Parameter	Value	Formula
Visibility		
Service Area (default)	<input type="checkbox"/>	=
Top Clearance (mm) (default)	50.0	=
Left Side Clearance (mm) (default)	170.0	=
Right Side Clearance (mm) (default)	300.0	=
Other		
Compressor detail (Type)	-	=
Compressor detail (Motor output W)	-	=
Operation range degC - Cooling	21 - 32	=
Operation range degC - Heating	0 - 28	=
Refrigerant information	R32	=
Weight (Kg)	16	=
Identity Data		
Article Description	R32 SHORAI EDGE	=
Article Type	RAS-18J2KVSG-E	=
Base Family Version		=
CB-NL Class		=
Content Supplier URL	www.hcltech.com	=
Copyright	©Toshiba / HCL	= "©Toshiba / HCL"
Custom	<input checked="" type="checkbox"/>	=
EMCS	4	=
ETIM Article Class	EC001213	=
Family Version		=
GLN		=
GTIN		=
Internal Art. No.		=
MEPcontent Class	HEATPUMP	= "HEATPUMP"
Manufacturer Art. No.	RAS-18J2KVSG-E	=
Manufacturer URL	https://www.toshiba-carrier.co.jp/global/	=
Product Line	TCTC	= "TCTC"
Revit Version	2017	= "2017"
Stabu Code		=
Type Image		=
Keynote		=
Model	RAS-18J2KVSG-E	=
Manufacturer	Toshiba	= "Toshiba"
Type Comments		=
URL	https://www.toshiba-carrier.co.jp/global/	=
Description	R32 SHORAI EDGE	=
Assembly Code		=
Cost		=
Watermarked By		=
Wholesaler		=
Wholesaler Art. No.		=

RAS-22J2KVSG-E

Family Types

Type name: RAS-22J2KVSG-E

Search parameters

Parameter	Value	Formula
Materials and Finishes		
Red	Colour - RGB 250 000 000	=
White	Colour - RGB 255 255 255	=
Electrical		
MOCP (A)	15	=
MCA (A)	-	=
Running current-Cooling	0.33 - 0.31	=
Power consumption-Cooling	45	=
Running current-Heating	0.33 - 0.31	=
Power consumption-Heating	45	=
Frequency (Hz)	50Hz	=
Voltage (V)	220-240V	=
Starting current	9.2	=
Dimensions		
Height (mm)	320.0	=
Width (mm)	1053.0	=
Depth (mm)	245.0	=
Piping diameter(mm)- Gas	12.7	=
Piping diameter(mm)- Liquid	6.4	=
Drain pipe(mm)	16	=
Duct diameters	-	=
Mechanical - Flow		
Static pressure	-	=
Sound pressure dB(A) - Cooling/Heating - High	45 / 46	=
Sound pressure dB(A) - Cooling/Heating-Mid +	43/ 43	=
Sound pressure dB(A) - Cooling/Heating - Mid	40 / 41	=
Sound pressure dB(A) - Cooling/Heating - Low +	37 / 37	=
Sound pressure dB(A) - Cooling/Heating- Low	34 / 34	=
Airflow m3/h - Cooling/Heating	1032 / 1080	=
Mechanical - Loads		
Rated Capacity kW - Cooling/Heating	6.1 / 7.0	=
Rated Power Consumption kW- Cooling/Heating	1.99 / 1.88	=
Rated efficiency - EER / COP	3.07 / 3.72	=
Energy Analysis		
Energy class-Cooling/Heating	-	=
Seasonal Efficiency SEER / SCOP	7.30 / 4.60	=
Pdesigh-Cooling/Heating	A++ / A++	=

Family Types

Type name: RAS-22J2KVSG-E

Search parameters

Parameter	Value	Formula
Visibility		
Service Area (default)	<input type="checkbox"/>	=
Top Clearance (mm) (default)	50.0	=
Left Side Clearance (mm) (default)	170.0	=
Right Side Clearance (mm) (default)	300.0	=
Other		
Compressor detail (Type)	-	=
Compressor detail (Motor output W)	-	=
Operation range degC - Cooling	21 - 32	=
Operation range degC - Heating	0 - 28	=
Refrigerant information	R32	=
Weight (Kg)	14	=
Identity Data		
Article Description	R32 SHORAI EDGE	=
Article Type	RAS-22J2KVSG-E	=
Base Family Version		=
CB-NL Class		=
Content Supplier URL	www.hcltech.com	=
Copyright	© Toshiba / HCL	"© Toshiba / HCL"
Custom	<input checked="" type="checkbox"/>	=
EMCS	4	=
ETIM Article Class	EC001213	=
Family Version		=
GLN		=
GTIN		=
Internal Art. No.		=
MEPcontent Class	HEATPUMP	"HEATPUMP"
Manufacturer Art. No.	RAS-22J2KVSG-E	=
Manufacturer URL	https://www.toshiba-carrier.co.jp/global/	=
Product Line	TCTC	"TCTC"
Revit Version	2017	"2017"
Stabu Code		=
Type Image		=
Keynote		=
Model	RAS-22J2KVSG-E	=
Manufacturer	Toshiba	"Toshiba"
Type Comments		=
URL	https://www.toshiba-carrier.co.jp/global/	=
Description	R32 SHORAI EDGE	=
Assembly Code		=
Cost		=
Watermarked By		=
Wholesaler		=
Wholesaler Art. No.		=

RAS-24J2KVSG-E

Family Types

Type name: RAS-24J2KVSG-E

Search parameters

Parameter	Value	Formula
Materials and Finishes		
Red	Colour - RGB 250 000 000	=
White	Colour - RGB 255 255 255	=
Electrical		
MOCP (A)	15	=
MCA (A)	-	=
Running current-Cooling	0.36 - 0.34	=
Power consumption-Cooling	50	=
Running current-Heating	0.36 - 0.34	=
Power consumption-Heating	50	=
Frequency (Hz)	50Hz	=
Voltage (V)	220-240V	=
Starting current	11.3	=
Dimensions		
Height (mm)	320.0	=
Width (mm)	1053.0	=
Depth (mm)	245.0	=
Piping diameter(mm)- Gas	12.7	=
Piping diameter(mm)- Liquid	6.4	=
Drain pipe(mm)	16	=
Duct diameters	-	=
Mechanical - Flow		
Static pressure	-	=
Sound pressure dB(A) - Cooling/Heating - High	47 / 48	=
Sound pressure dB(A) - Cooling/Heating-Mid +	44/ 44	=
Sound pressure dB(A) - Cooling/Heating - Mid	41 / 41	=
Sound pressure dB(A) - Cooling/Heating - Low +	38 / 38	=
Sound pressure dB(A) - Cooling/Heating- Low	35 / 35	=
Airflow m3/h - Cooling/Heating	1122 / 1140	=
Mechanical - Loads		
Rated Capacity kW - Cooling/Heating	7.0 / 8.0	=
Rated Power Consumption kW- Cooling/Heating	2.25 / 2.35	=
Rated efficiency - EER / COP	3.11 / 3.40	=
Energy Analysis		
Energy class-Cooling/Heating	-	=
Seasonal Efficiency SEER / SCOP	6.30 / 4.10	=
Pdesigh-Cooling/Heating	A++ / A+	=

Family Types

Type name: RAS-24J2KVSG-E

Search parameters

Parameter	Value	Formula
Visibility		
Service Area (default)	<input type="checkbox"/>	=
Top Clearance (mm) (default)	50.0	=
Left Side Clearance (mm) (default)	170.0	=
Right Side Clearance (mm) (default)	300.0	=
Other		
Compressor detail (Type)	-	=
Compressor detail (Motor output W)	-	=
Operation range degC - Cooling	21 - 32	=
Operation range degC - Heating	0 - 28	=
Refrigerant information	R32	=
Weight (Kg)	14	=
Identity Data		
Article Description	R32 SHORAI EDGE	=
Article Type	RAS-24J2KVSG-E	=
Base Family Version		=
CB-NL Class		=
Content Supplier URL	www.hcltech.com	=
Copyright	©Toshiba / HCL	= "©Toshiba / HCL"
Custom	<input checked="" type="checkbox"/>	=
EMCS	4	=
ETIM Article Class	EC001213	=
Family Version		=
GLN		=
GTIN		=
Internal Art. No.		=
MEPcontent Class	HEATPUMP	= "HEATPUMP"
Manufacturer Art. No.	RAS-24J2KVSG-E	=
Manufacturer URL	https://www.toshiba-carrier.co.jp/global/	=
Product Line	TCTC	= "TCTC"
Revit Version	2017	= "2017"
Stabu Code		=
Type Image		=
Keynote		=
Model	RAS-24J2KVSG-E	=
Manufacturer	Toshiba	= "Toshiba"
Type Comments		=
URL	https://www.toshiba-carrier.co.jp/global/	=
Description	R32 SHORAI EDGE	=
Assembly Code		=
Cost		=
Watermarked By		=
Wholesaler		=
Wholesaler Art. No.		=



Thank You