

Model name:

BMS-IFKX0AWR-E

Safety instructions

WARNING

Follow carefully these safety and installation instructions. Improper work may lead to serious harmful for your health and also may damage seriously the interface and/or the Hydro unit.

- This interface must be installed by accredited technical personnel (electrician, KNX installer, or technical personnel) and following all the safety instructions.
- This interface must only be installed in a restricted access location.
- Before manipulating the Hydro unit, be sure it is completely disconnected from Mains power.
- Do not modify the unit. (A fire or an electric shock may occur)
- This interface must only be installed in a restricted access location by user.
- Do not install the unit in any of the following places.
 - Humid or wet place
 - Dusty place
 - Place exposed to direct sunlight
 - Place where there is a TV set or radio within one meter
 - Place exposed to rain (outdoors, under eaves, etc.)
- Use predefined cable and connect them certainly. Keep the connecting terminal free from external force. It may cause an exothermic or a fire.
- Strip the insulation from the cable that connects to the connector (KNX and A B bus) following the dimensions shown in the diagram below.
- When connecting the cable to the connector (KNX and A B bus), ensure the core wires do not protrude from the connector.
- Use two-core cabtyre cable.
- Disconnect the KNX bus from power before manipulate it and connect it to the interface.
- To prevent EMC disturbances, ensure that there is a safety separation (SELV) of the connected signal cables (including possible extensions) from the other voltage carrying devices and cables.
- Use KNX Certified Power Supply Unit.

Installation instructions

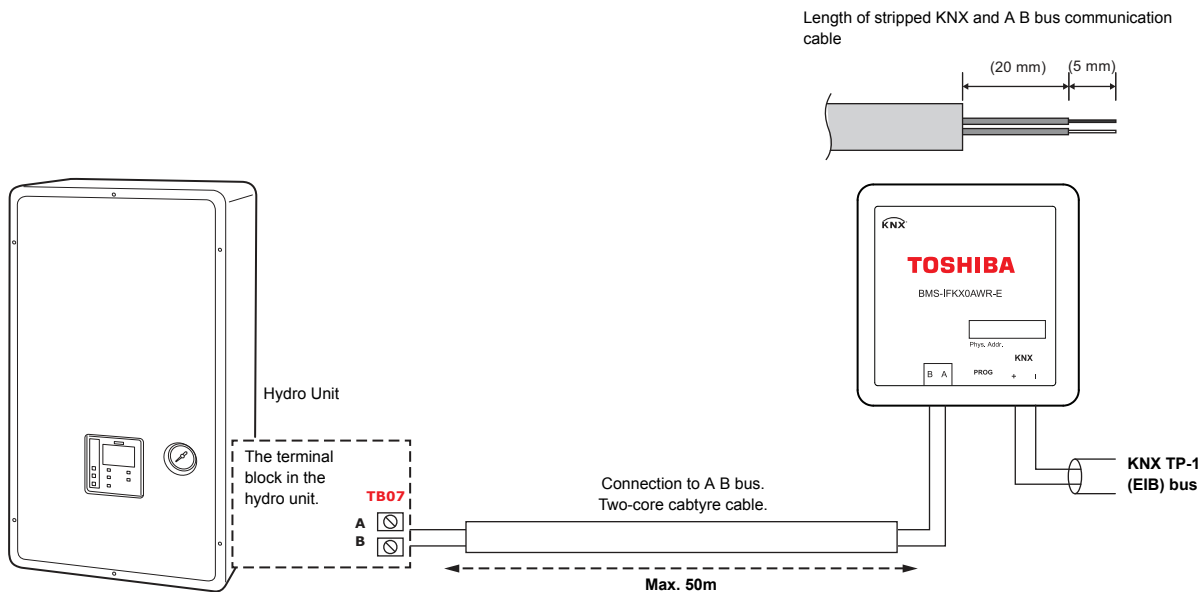
- Disconnect the Hydro unit from Mains Power.
- Disconnect the power supply of the KNX bus.
- Connect the connection cable between the interface and the Hydro unit following the instructions of the diagram below.
- Connect the KNX bus to the connector KNX of the interface. Respect the polarity.
- Close the Hydro unit and reconnect it to Mains Power.
- Reconnect power supply to the KNX bus.
- Follow the instructions on the user's manual for configuring and commissioning the interface. See below how to obtain the user's manual and the ETS database.

NOTE

The cable used for connection of BMS-IFKX0AWR-E to A B bus can be any two-core cabtyre cable, the maximum distance for bus A B is 50 meters, consult the manual of the Hydro unit for more details.

IMPORTANT:

- Use only one remote controller. A sub-remote controller cannot be connected when connecting this interface.
- It is not possible to mix and connect Hydro unit 4 series and 5 series.

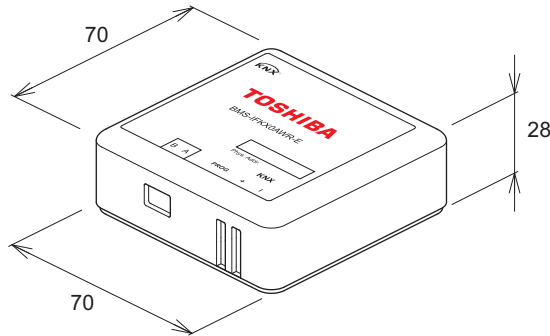


NOTE

In its place there is a pair of cables to connect the Remote Controller. Use these cables to connect the AB bus. Check your Hydro unit user or service manual for more information.

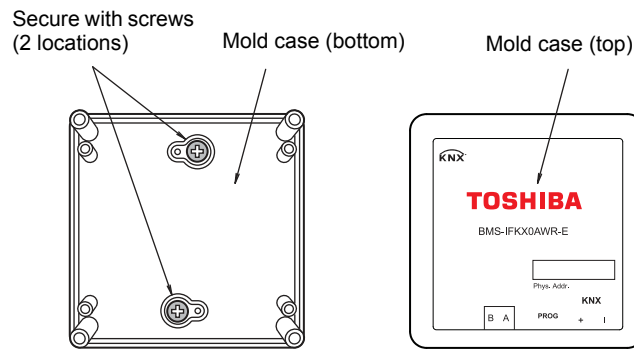
Dimensions

External dimensions



Wall mount

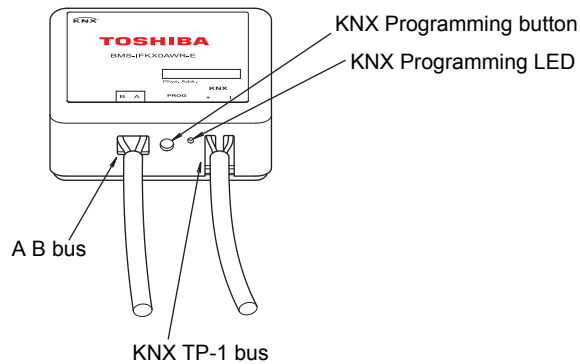
During installation, secure the metal plate and mold case (bottom) together with screws.
 After wiring, attach the mold case (top), install the metal plate cover, and secure with a screw.



NOTE

When installing the interface on the plane surface instead of mounting it on the wall and securing with screws, secure the unit with double-sided adhesive tape or similar stuff.

Connections



TOSHIBA CARRIER EUROPE S.A.S

Route de Thil 01120 Montluel France

DEB2019101-1